

[54] DIAGNOSTIC SLIDE FOR MICROSCOPES

4,387,972 6/1983 Valencia 350/536
4,441,793 4/1984 Elkins 350/536

[76] Inventor: Max M. Ford, P.O. Box 37108,
Tucson, Ariz. 85740

[**] Term: 14 Years

Primary Examiner—A. Hugo Word
Assistant Examiner—Stella M. Reid
Attorney, Agent, or Firm—Cahill, Sutton & Thomas

[21] Appl. No.: 660,112

[57] CLAIM

[22] Filed: Oct. 12, 1984

The ornamental design for a diagnostic slide for microscopes, as shown and described.

[52] U.S. Cl. D24/29

[58] Field of Search D24/29, 8, 99; 356/244,
356/246; 350/536, 534; D28/4, 76, 78, 82

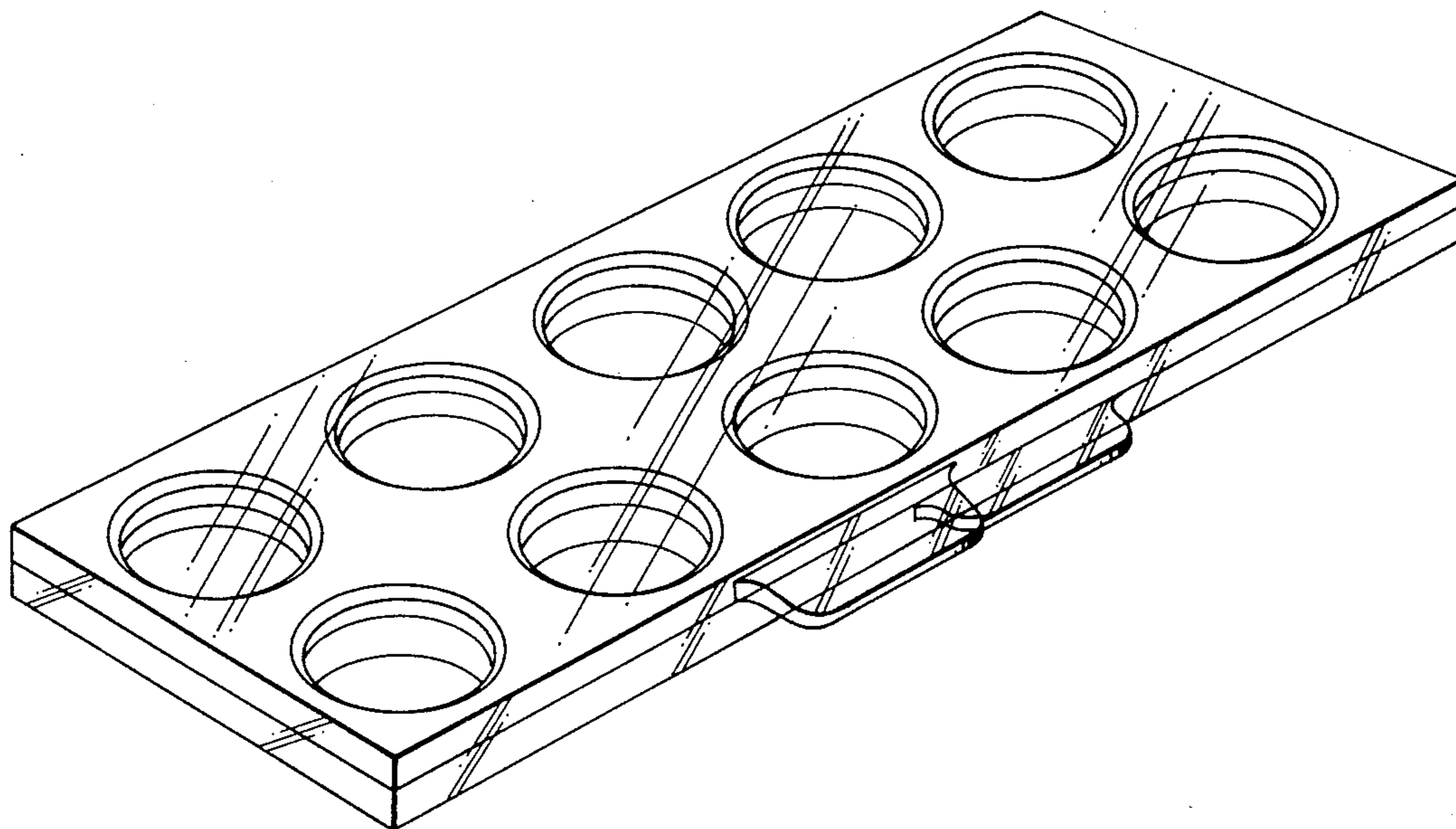
DESCRIPTION

[56] References Cited

U.S. PATENT DOCUMENTS

- D. 212,068 8/1968 Ash D28/76 X
- D. 239,548 4/1976 Schiff et al. D24/29
- D. 274,261 6/1984 Valencia D24/29
- 3,736,042 5/1973 Markovits et al. 350/536

FIG. 1 is a perspective view of a diagnostic slide for microscopes showing my new design; FIG. 2 is a top plan view thereof; FIG. 3 is a bottom plan view thereof; FIG. 4 is a right end elevational view, the left end elevational view being a mirror image thereof; FIG. 5 is a front elevational view thereof; and FIG. 6 is a rear elevational view thereof.



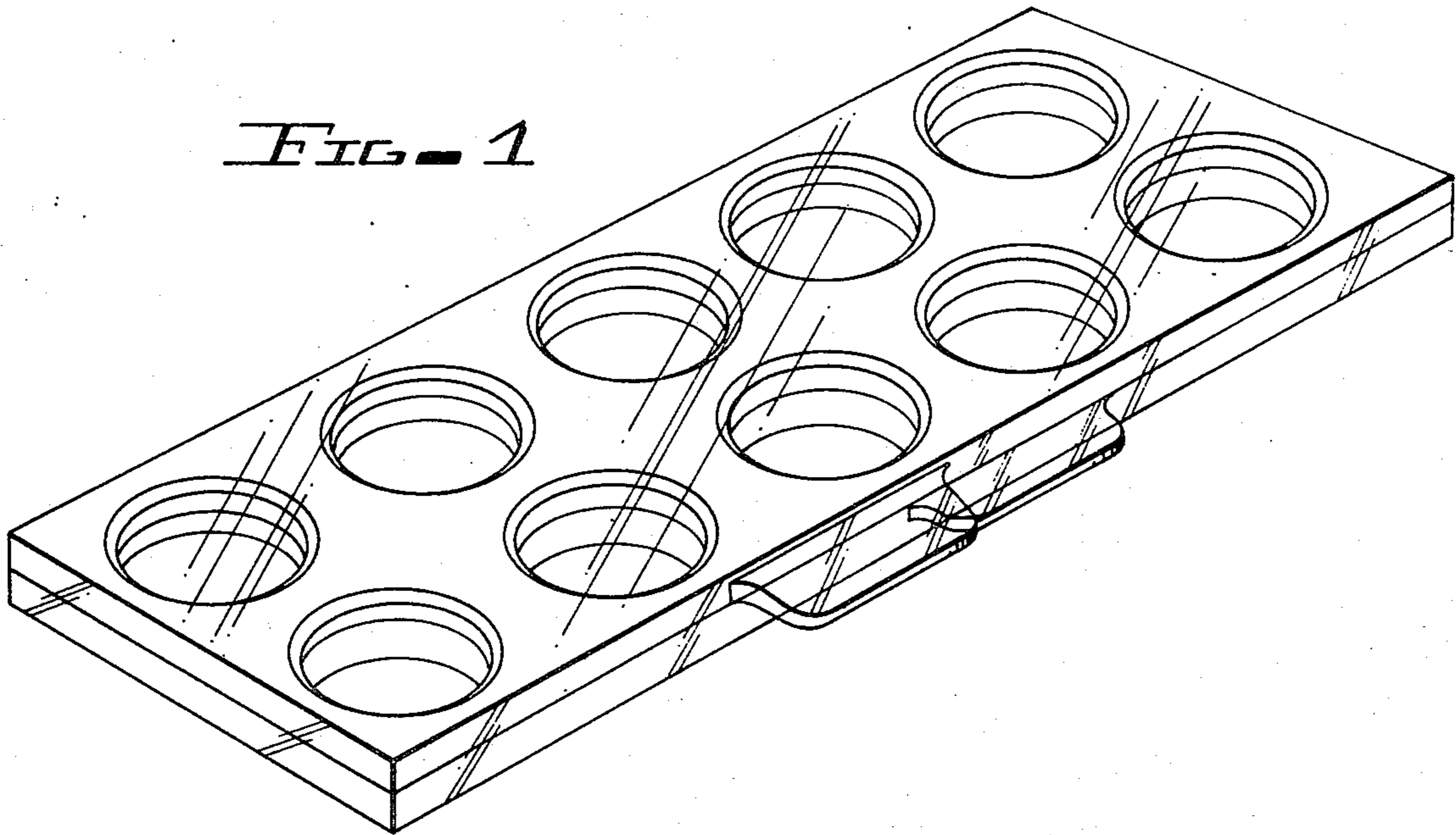


FIG. 2

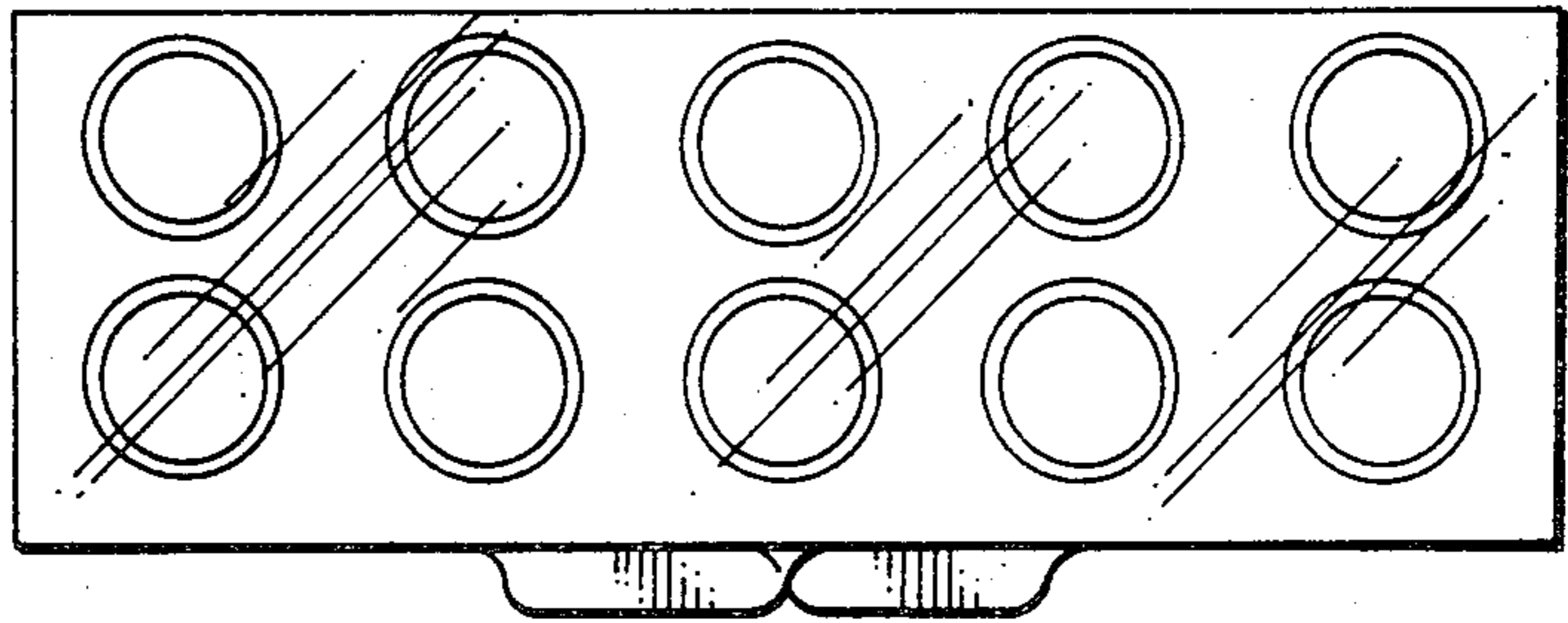


FIG. 3

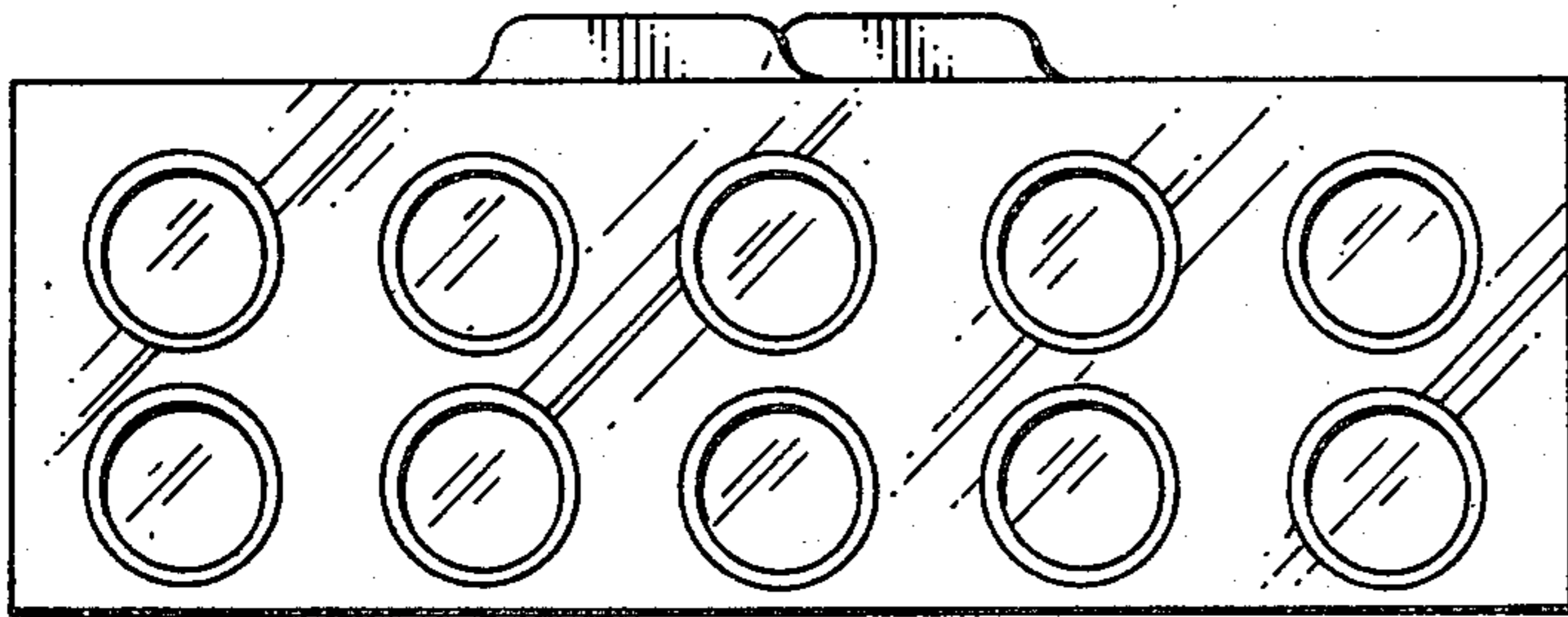


FIG. 4

FIG. 5



FIG. 6

