

United States Patent [19]

Mann et al.

[11] Patent Number: **Des. 290,035**

[45] Date of Patent: **** May 26, 1987**

[54] **TOILET SEAT FOR INVALIDS**

[75] Inventors: **Donald L. Mann, Wantagh, N.Y.;**
Albert S. Schmier, Woodcliff Lake,
N.J.

[73] Assignee: **Duro-Med Industries Inc.,**
Hackensack, N.J.

[**] Term: **14 Years**

[21] Appl. No.: **659,286**

[22] Filed: **Oct. 10, 1984**

[52] U.S. Cl. **D23/71**

[58] Field of Search **D23/69-71;**
4/234-242

3,594,831	7/1971	Brewer .	
3,671,981	6/1972	Smith	4/242
4,031,575	6/1977	Landsberger	4/239
4,133,061	1/1979	Hurd	4/239 X
4,213,323	7/1980	Thomas .	
4,462,122	7/1984	Broeils	4/239
4,477,932	10/1984	Lenosky	4/239

FOREIGN PATENT DOCUMENTS

1434937 5/1976 United Kingdom .

Primary Examiner—James R. Largen
Attorney, Agent, or Firm—Jordan B. Bierman

[57] **CLAIM**

The ornamental design for a toilet seat for invalids, as shown and described.

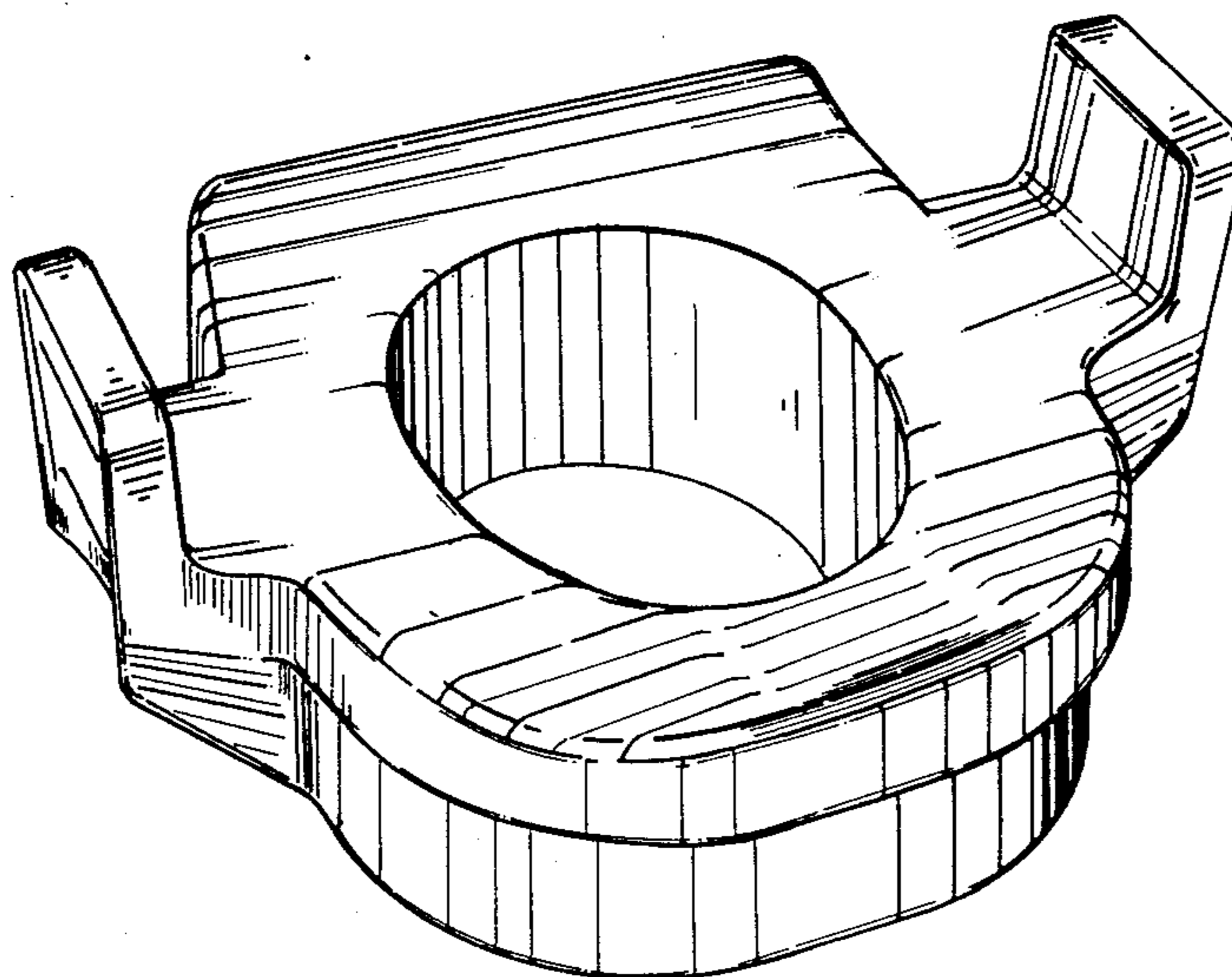
DESCRIPTION

FIG. 1 is a top perspective view of a toilet seat for invalids showing our new design; FIG. 2 is a top plan view thereof; FIG. 3 is a bottom plan view thereof; FIG. 4 is a right side elevational view thereof, the left side being a mirror image of the right side shown; and FIG. 5 is a front elevational view thereof.

[56] **References Cited**

U.S. PATENT DOCUMENTS

D. 190,408	5/1961	Finlof	D23/71
D. 212,322	10/1968	Brewer	D23/71
D. 236,120	7/1975	O'Neil	D23/71
D. 237,887	12/1975	Landsberger	D23/71
D. 239,715	4/1976	Finlof	D23/71
D. 262,990	2/1982	Rodger	D23/71



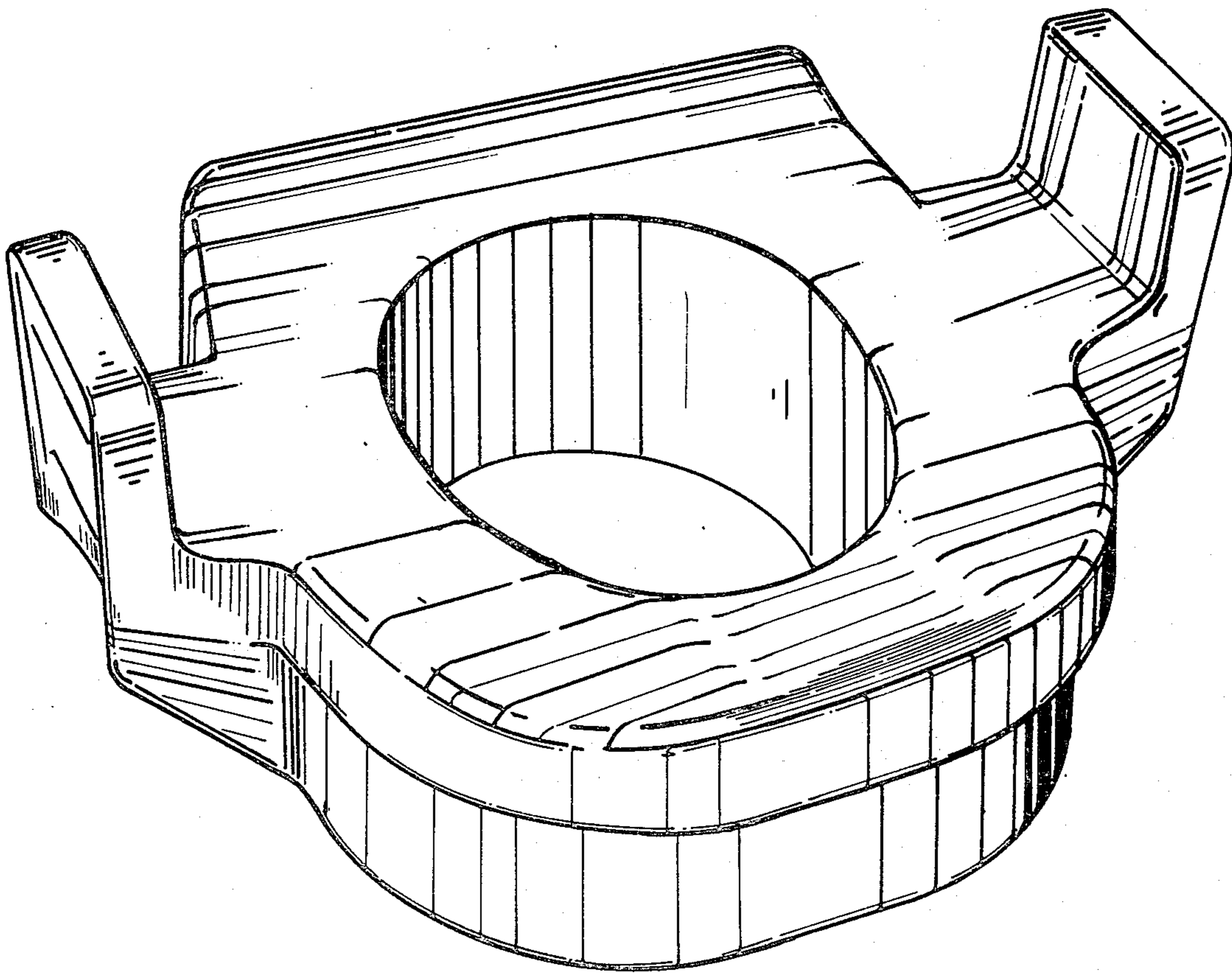


FIG. 1

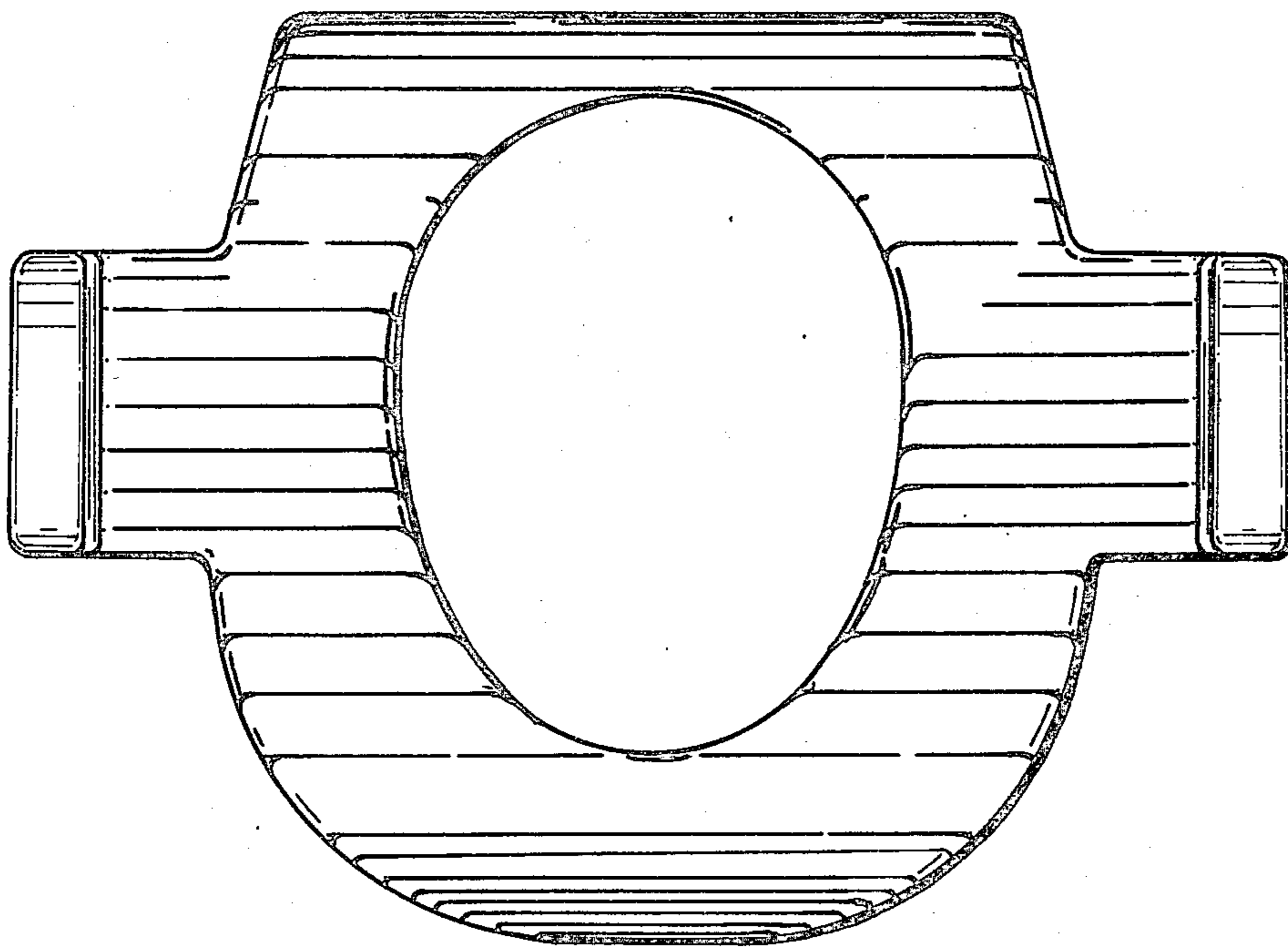


FIG. 2

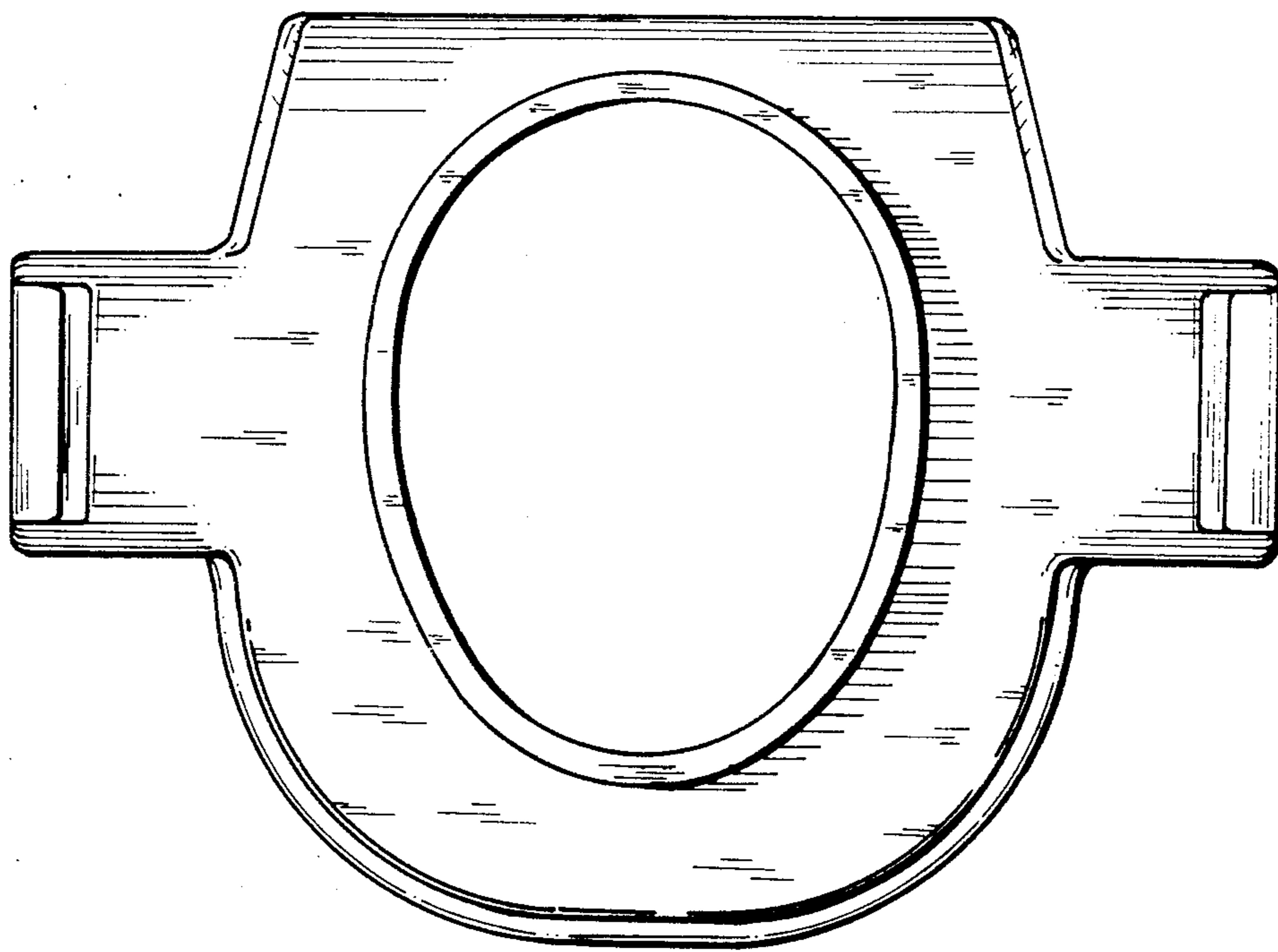


FIG. 3

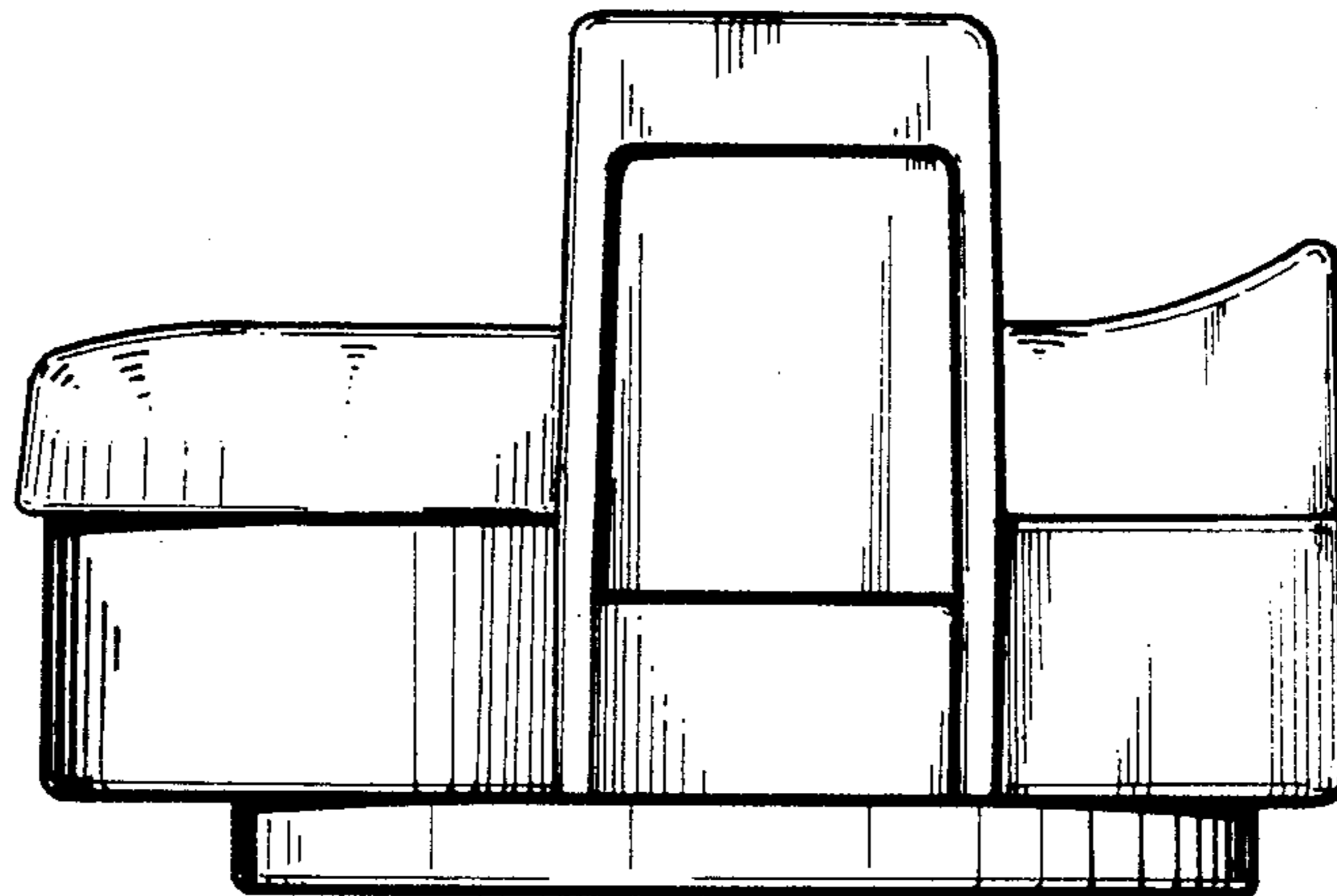


FIG. 4

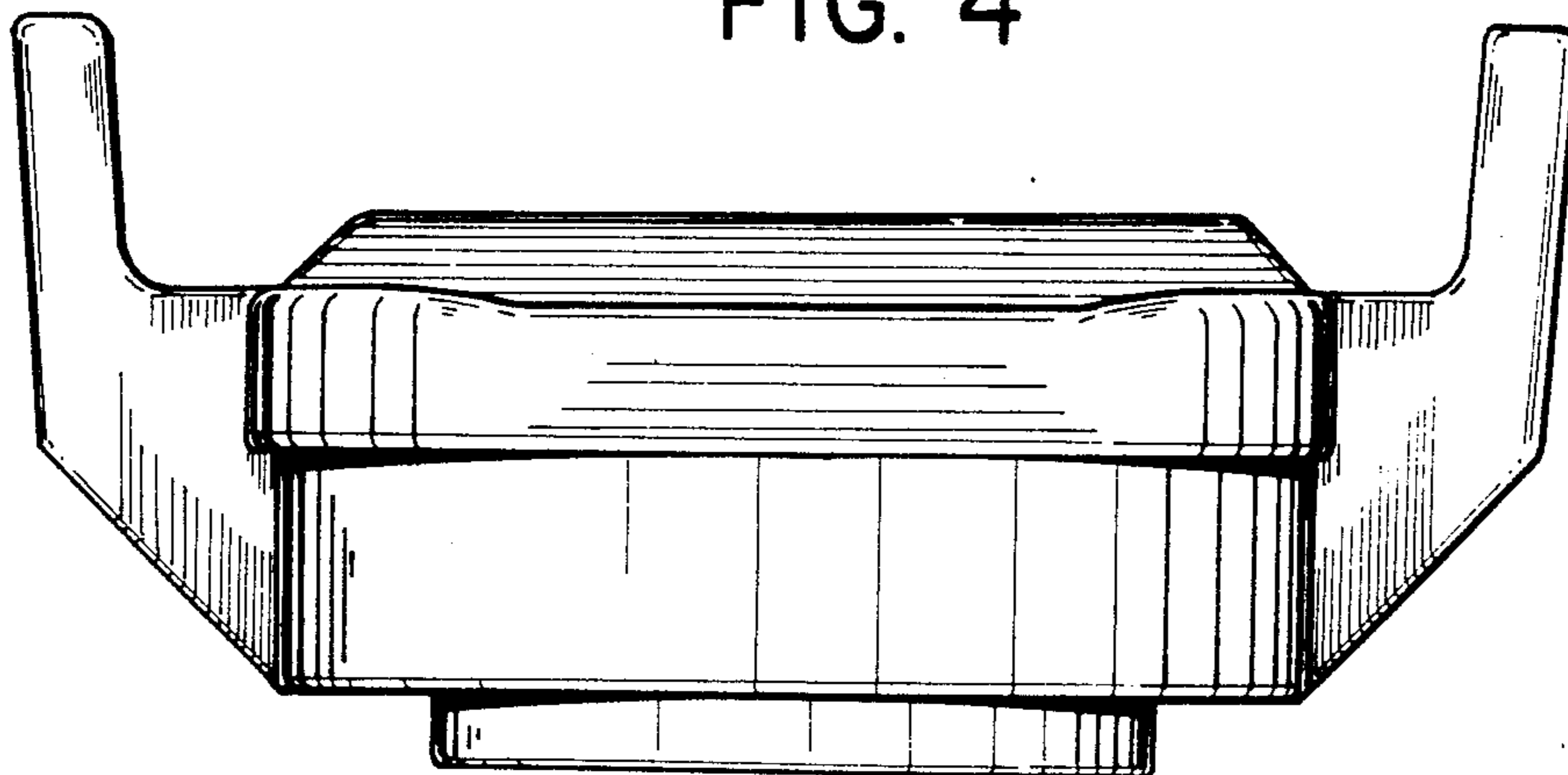


FIG. 5