

[54] EXERCISE SUPPORT OR SIMILAR ARTICLE

[75] Inventor: Anthony Policastro, 310 Lafayette St., Newark, N.J. 07105

[73] Assignee: Anthony Policastro, Newark, N.J.

[\*\*] Term: 14 Years

[21] Appl. No.: 653,314

[22] Filed: Sep. 24, 1984

[52] U.S. Cl. .... D21/191; D21/198

[58] Field of Search ..... D21/191-197, D21/199; 272/143, 144, 125, 133, 134, 136; D3/5, 7, 8, 9

[56] References Cited

U.S. PATENT DOCUMENTS

D. 267,419	12/1982	Komarnicki	.....	D21/191
2,989,114	6/1961	Ecroyd	.....	272/70
3,709,487	1/1973	Walker	.....	272/142

OTHER PUBLICATIONS

Marcy Gym Equipment Catalog, 1970, p. 39, Hip Flexor Station.

Recreation Management, Supplement, 1972, p. 3; Portable Chinning Bar.

Primary Examiner—Charles A. Rademaker

Attorney, Agent, or Firm—Richard C. Woodbridge

[57] CLAIM

The ornamental design for an exercise support or similar article, as shown and described.

DESCRIPTION

FIG. 1 is a front perspective view of an exercise support or similar article showing my new design; FIG. 2 is a rear elevational view thereof; FIG. 3 is a side elevational view thereof; FIG. 4 is a top plan view thereof; FIG. 5 is a front elevational view thereof; FIG. 6 is a front perspective view of a modified embodiment of the design shown in FIGS. 1 through 5; and, FIG. 7 is a rear perspective view thereof.

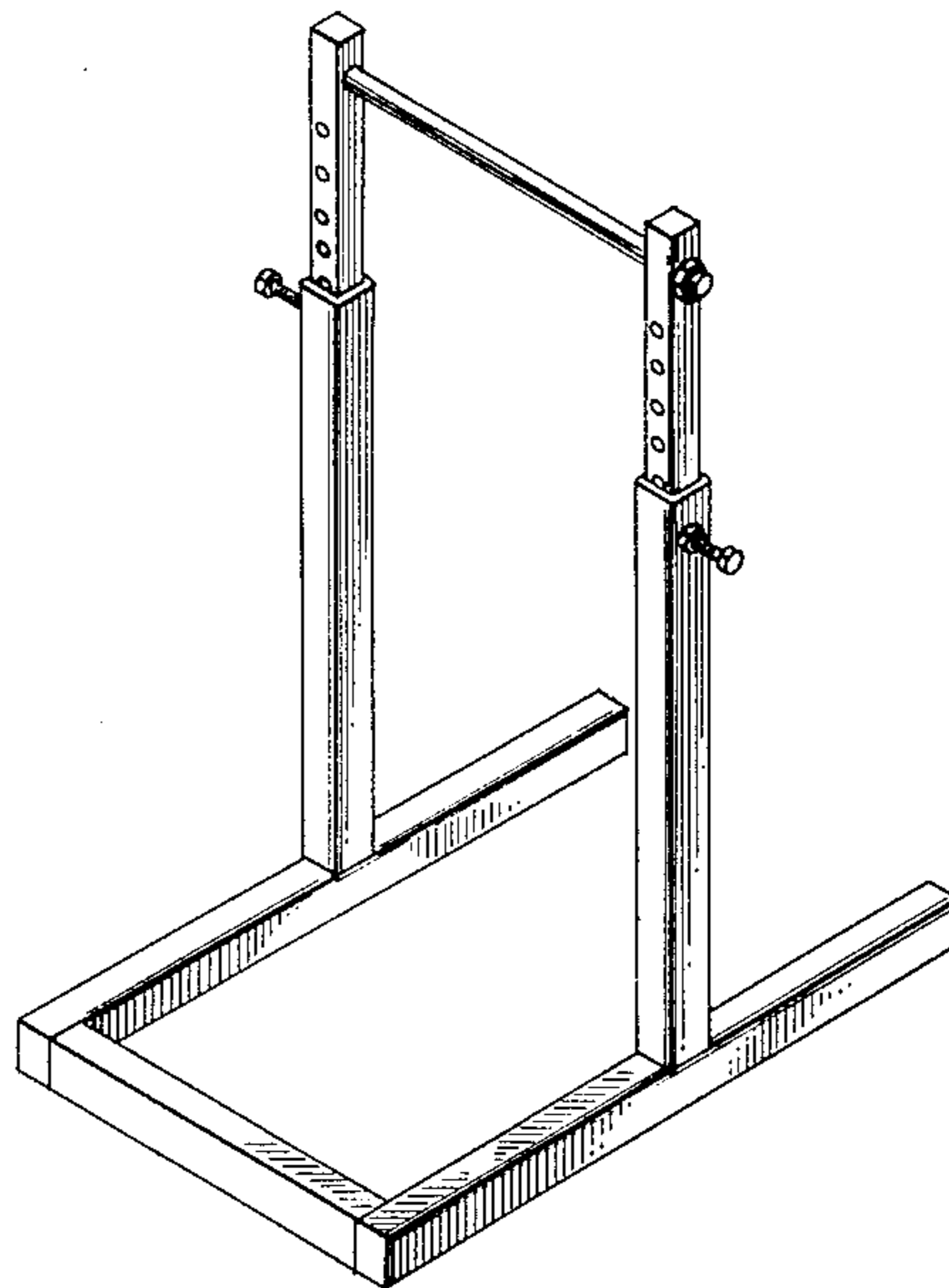
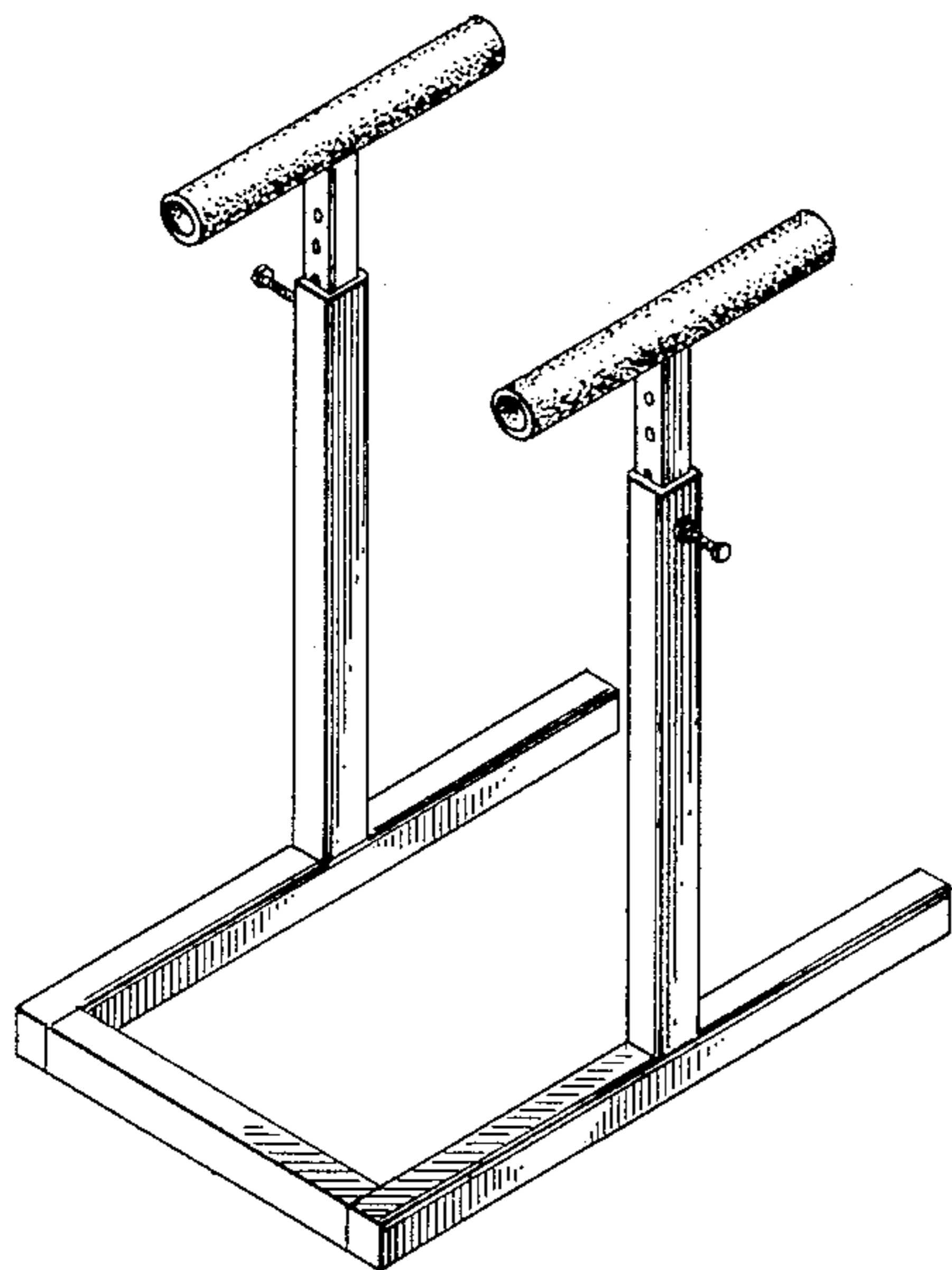


FIG. 1.

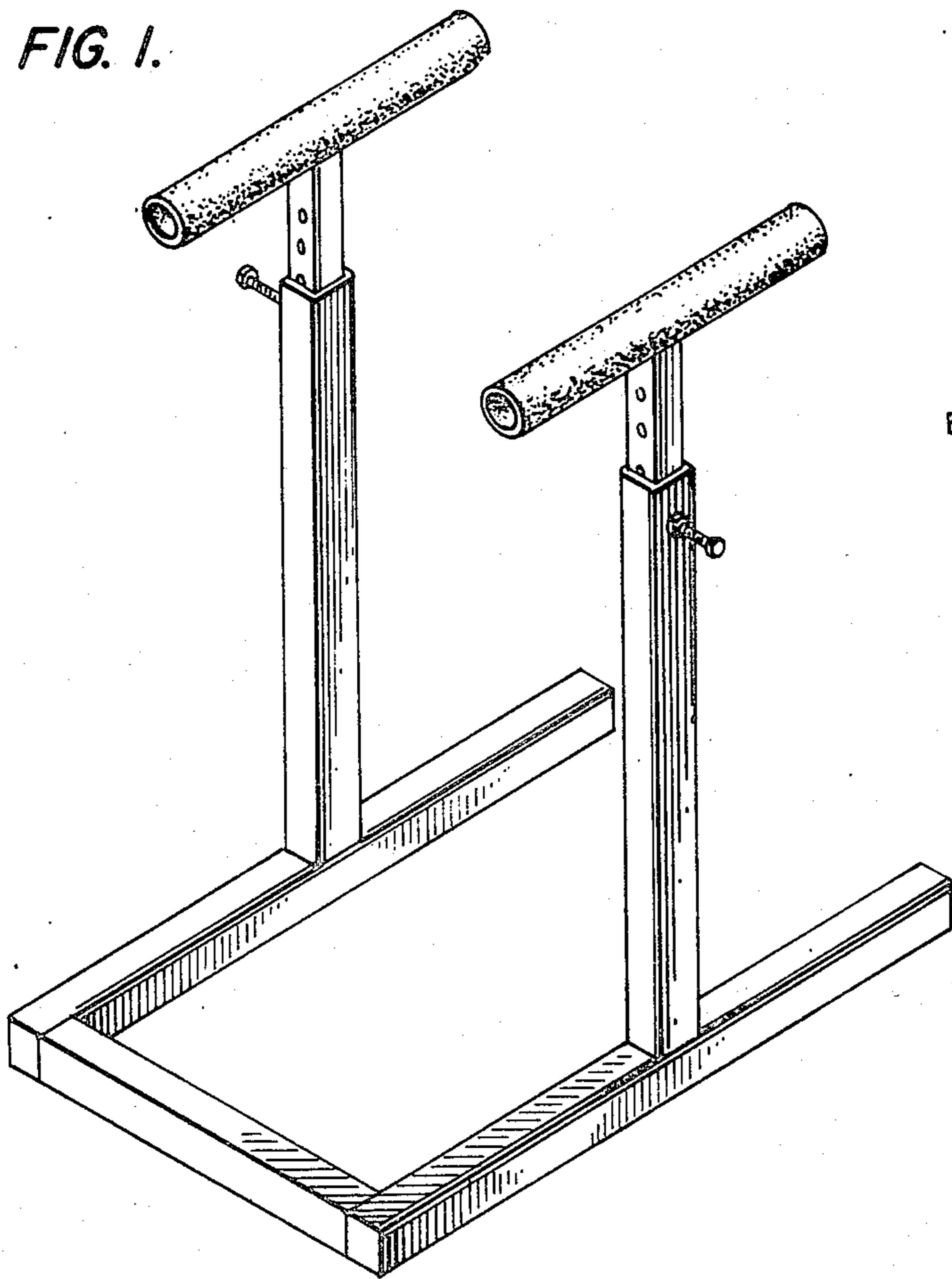


FIG. 2.

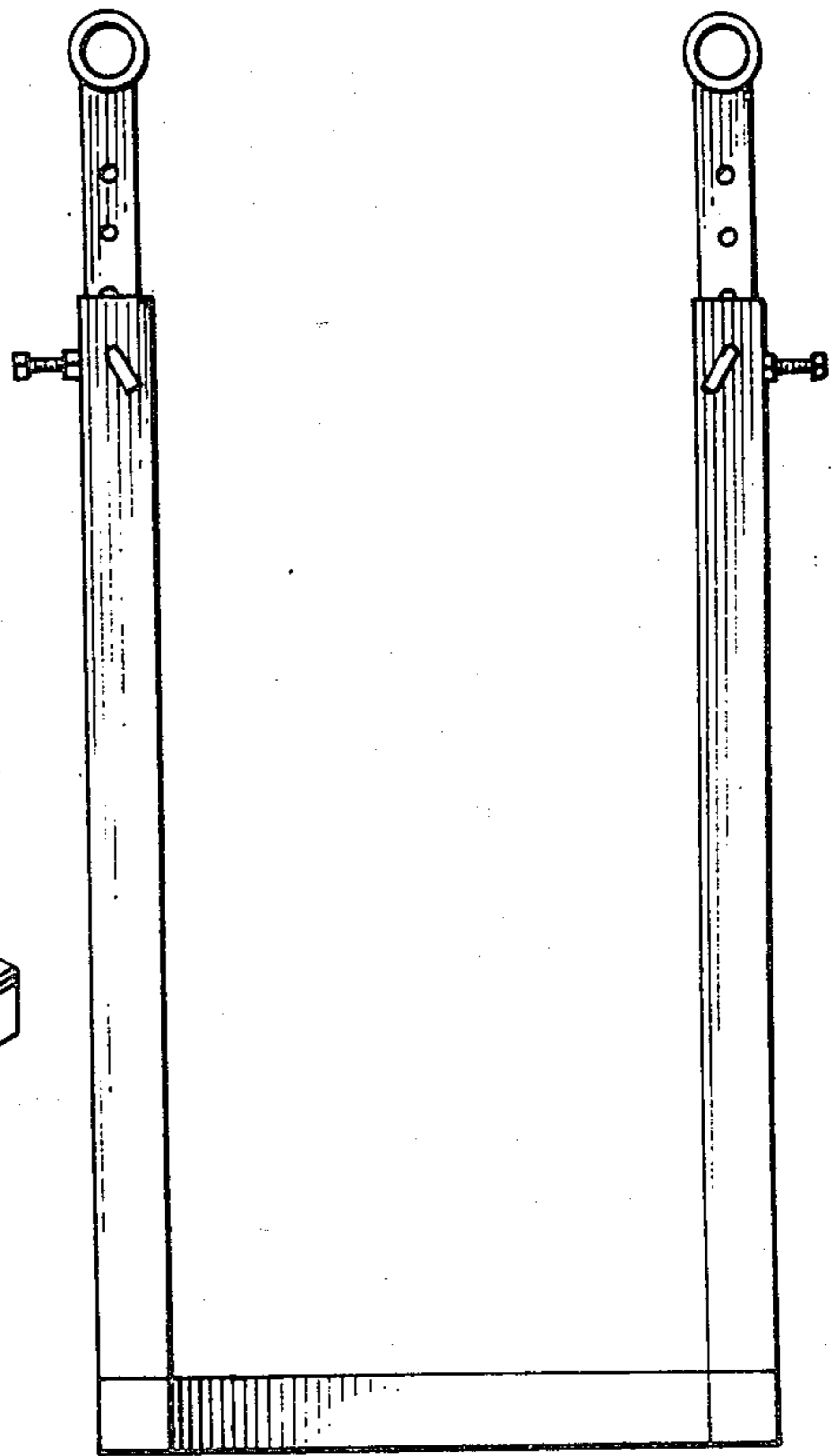


FIG. 3.

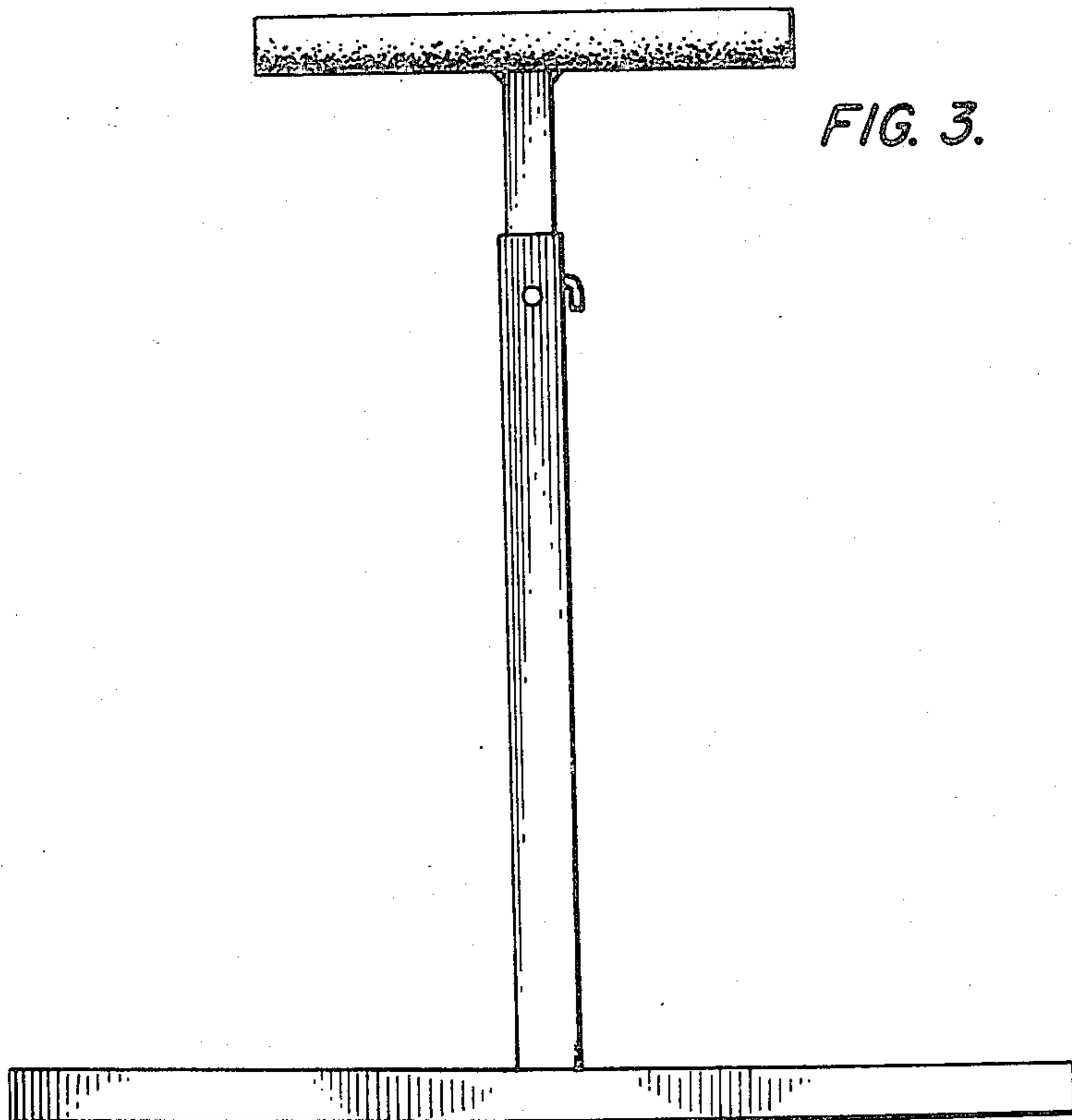


FIG. 4.

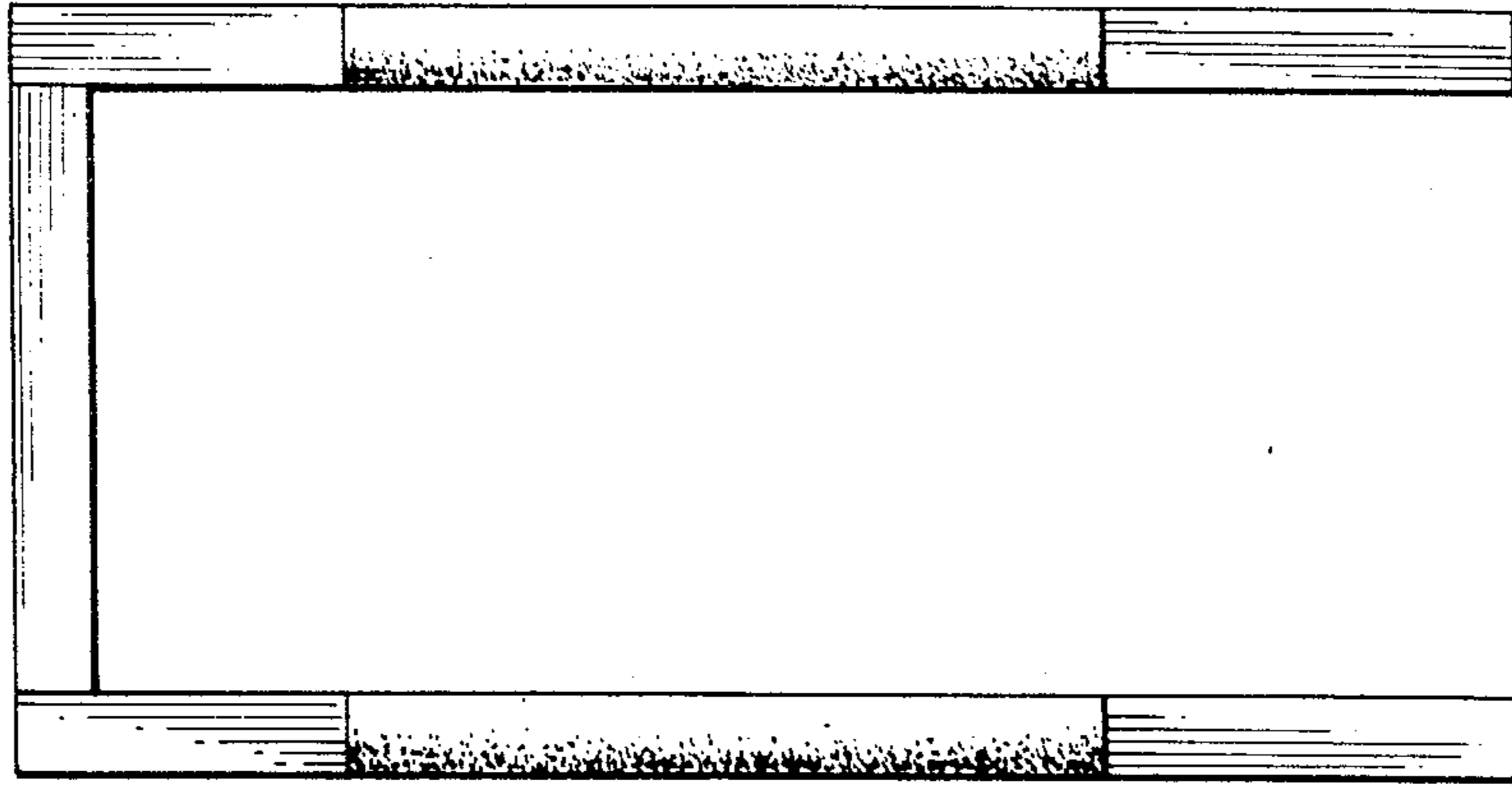


FIG. 5.

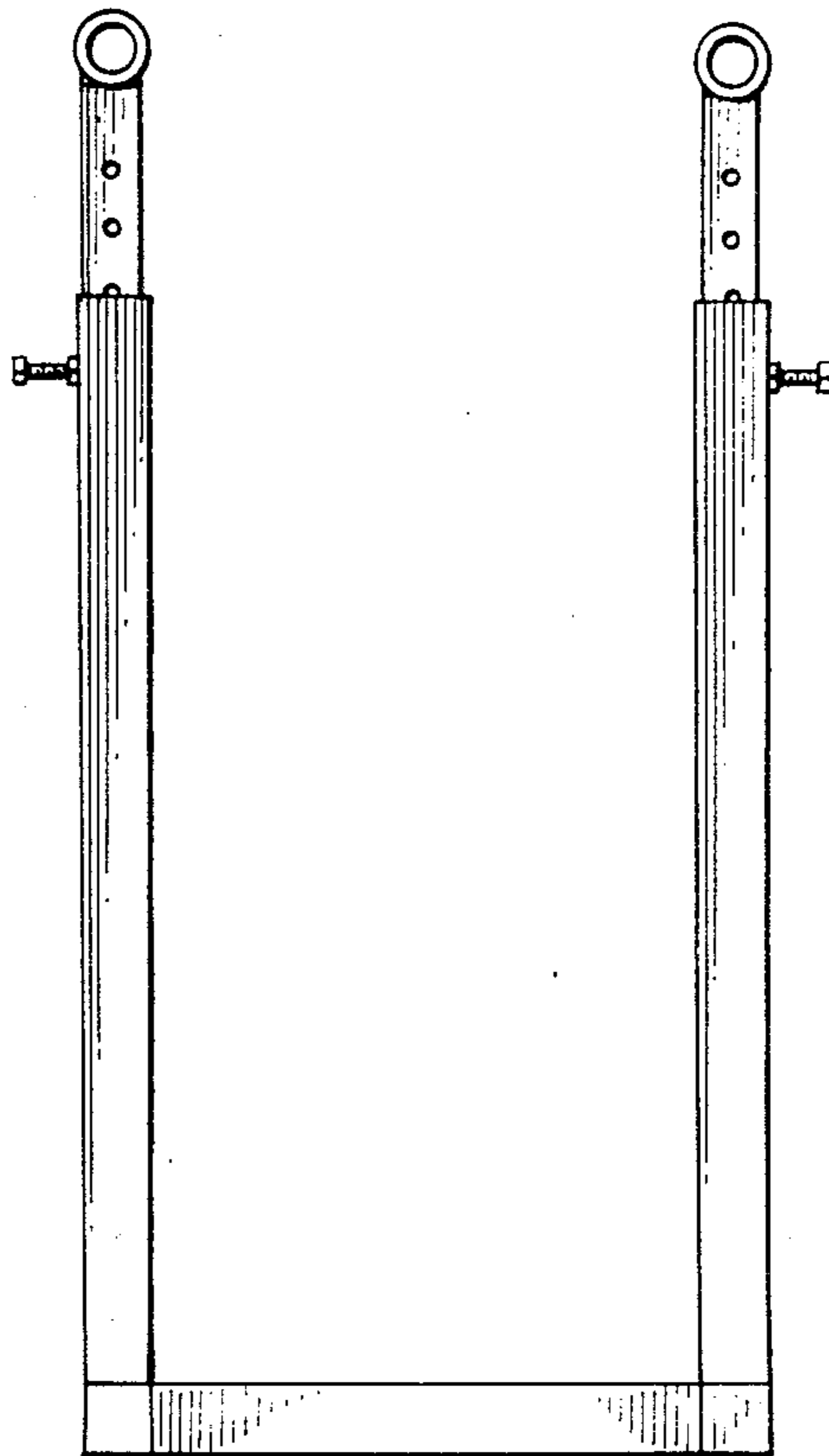


FIG. 7.

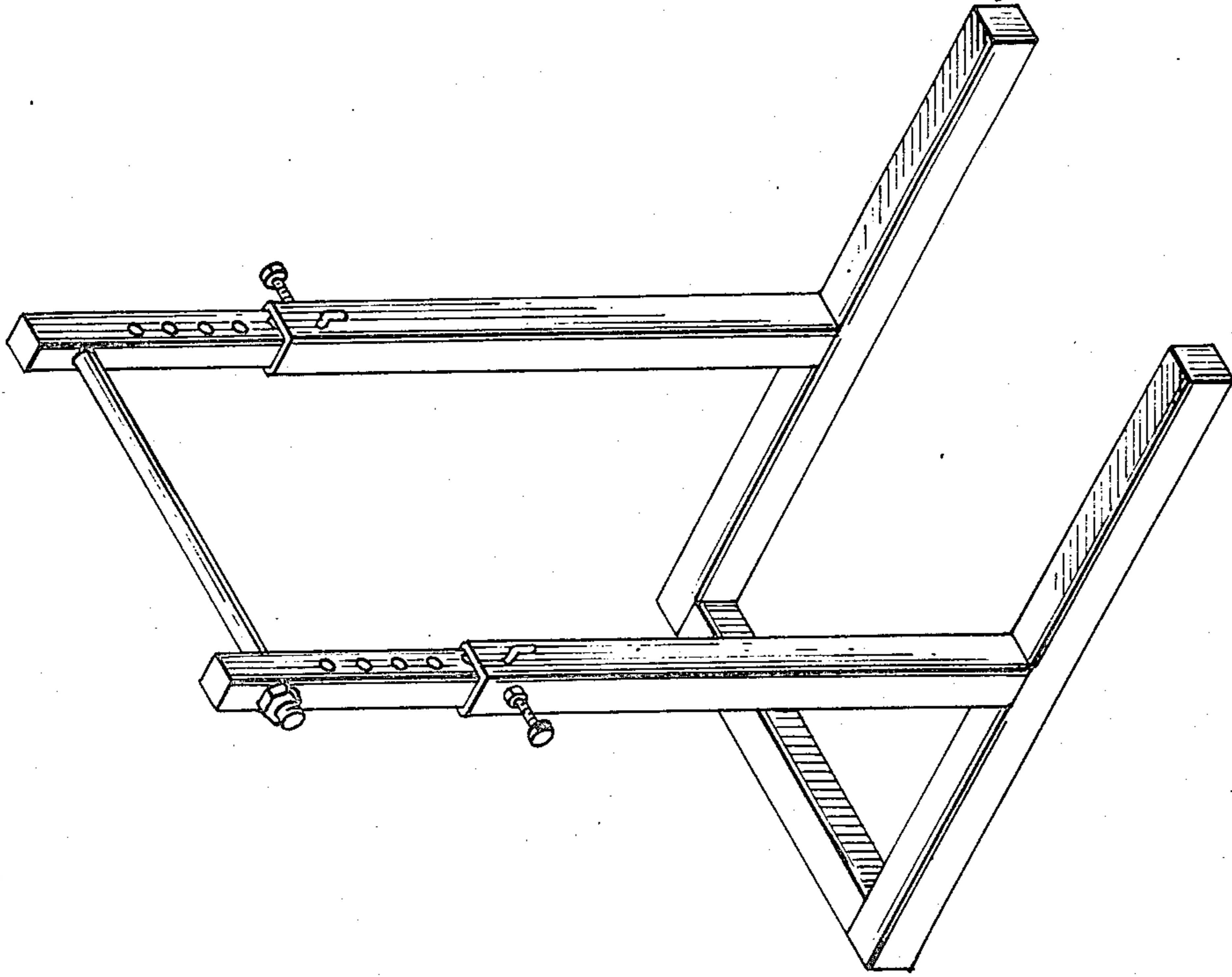


FIG. 6.

