

[54] **TOY ROBOT**

3,728,815 4/1973 Tomiyama ..... 446/291

[75] **Inventor: Hiroshi Horiuchi, Tokyo, Japan**

[73] **Assignee: Tomy Kogyo, Co. Inc., Tokyo, Japan**

[\*\*] **Term: 14 Years**

[21] **Appl. No.: 682,693**

[22] **Filed: Dec. 17, 1984**

[52] **U.S. Cl. .... D21/150**

[58] **Field of Search ..... D21/150; 446/269, 271,  
446/272, 290-292, 353; 901/1**

[56] **References Cited**

**U.S. PATENT DOCUMENTS**

3,103,762 9/1963 Glass et al. .... D21/150  
3,648,408 3/1972 Terzian et al. .... 446/291

**OTHER PUBLICATIONS**

Hong Kong Toys, 1982, p. 144, lower right, robot.

*Primary Examiner*—Melvin B. Feifer  
*Attorney, Agent, or Firm*—Herb Boswell

[57] **CLAIM**

The ornamental design for a toy robot, substantially as shown and described.

**DESCRIPTION**

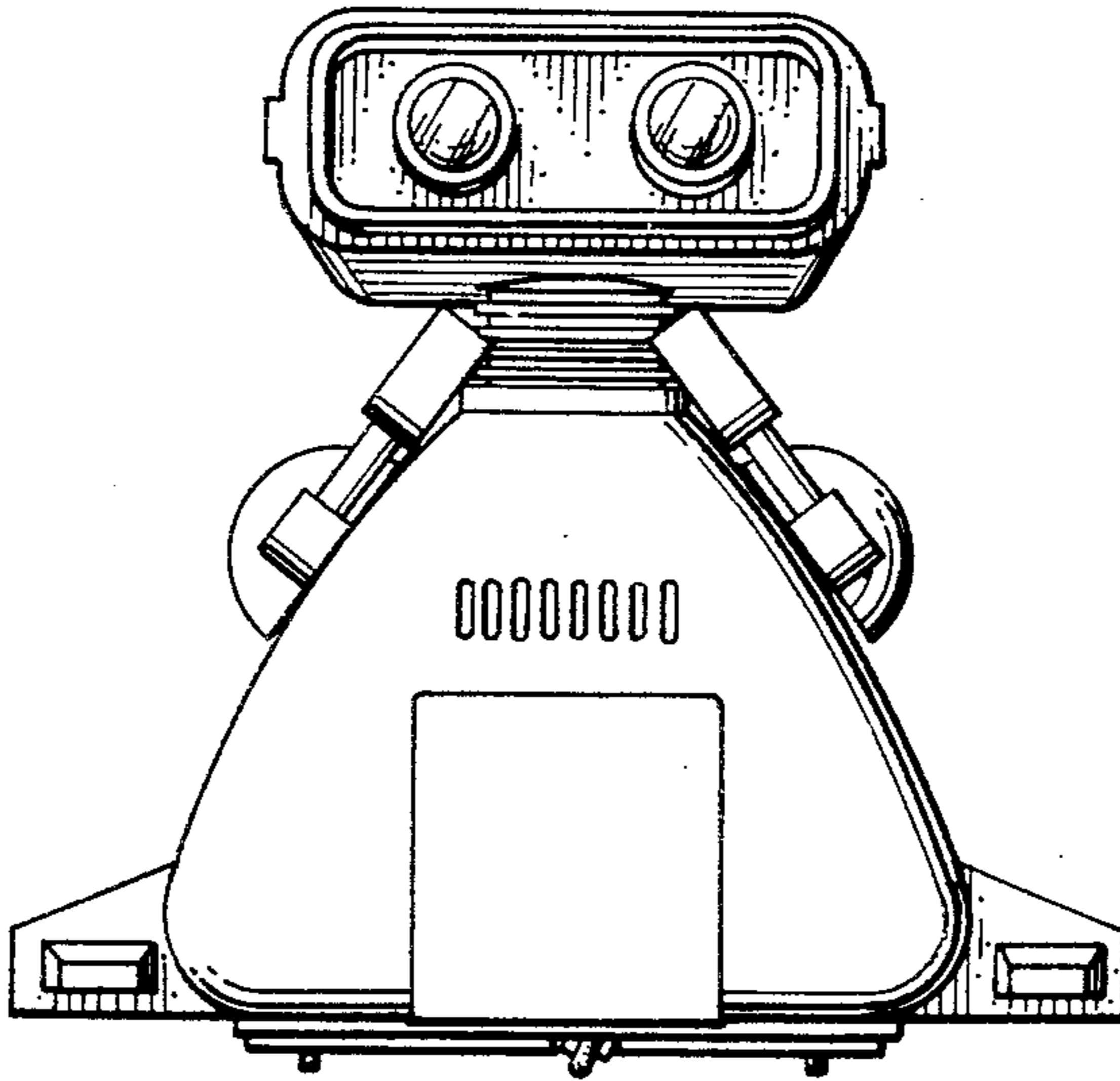
FIG. 1 is a front elevational view of my new design for toy robot;

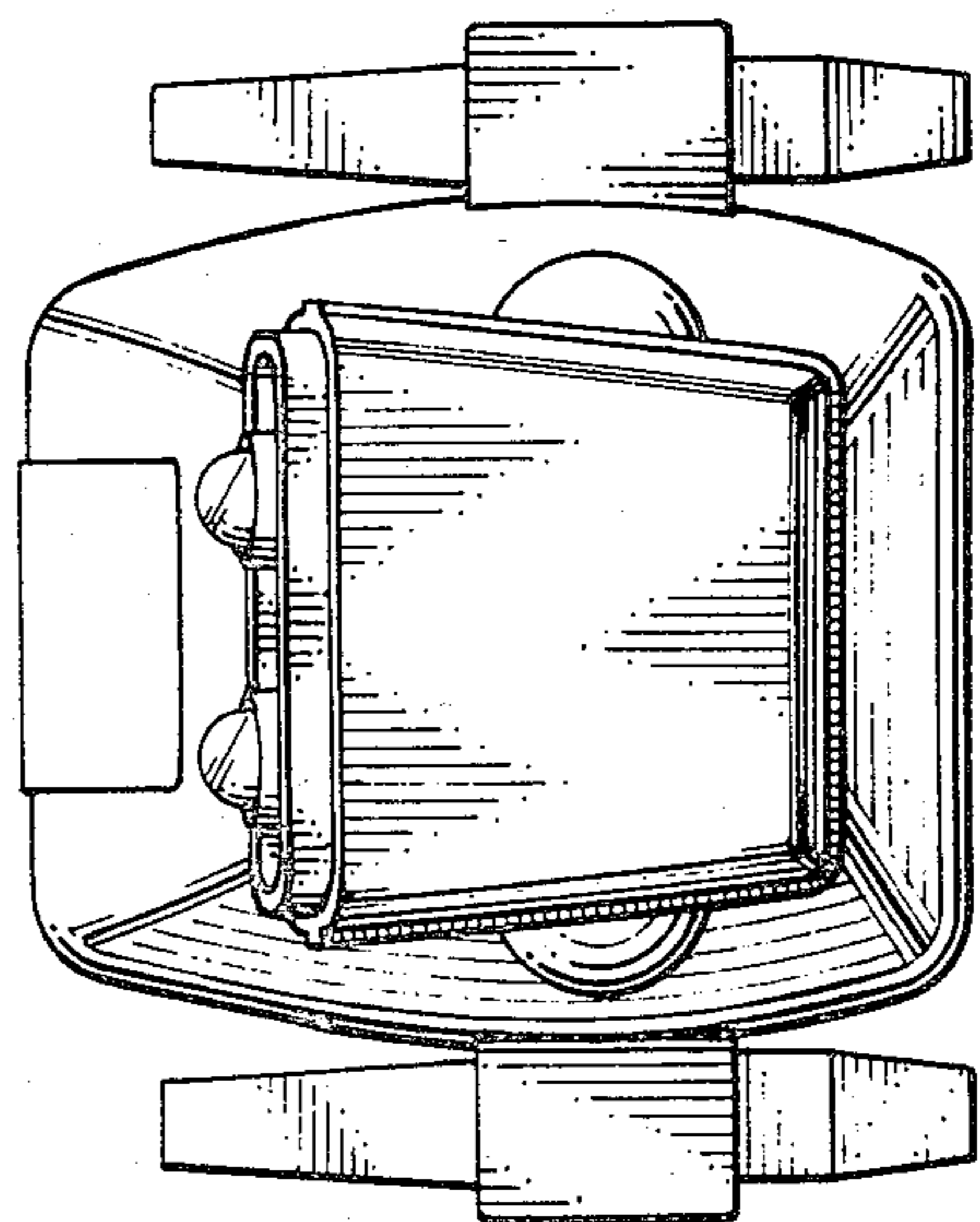
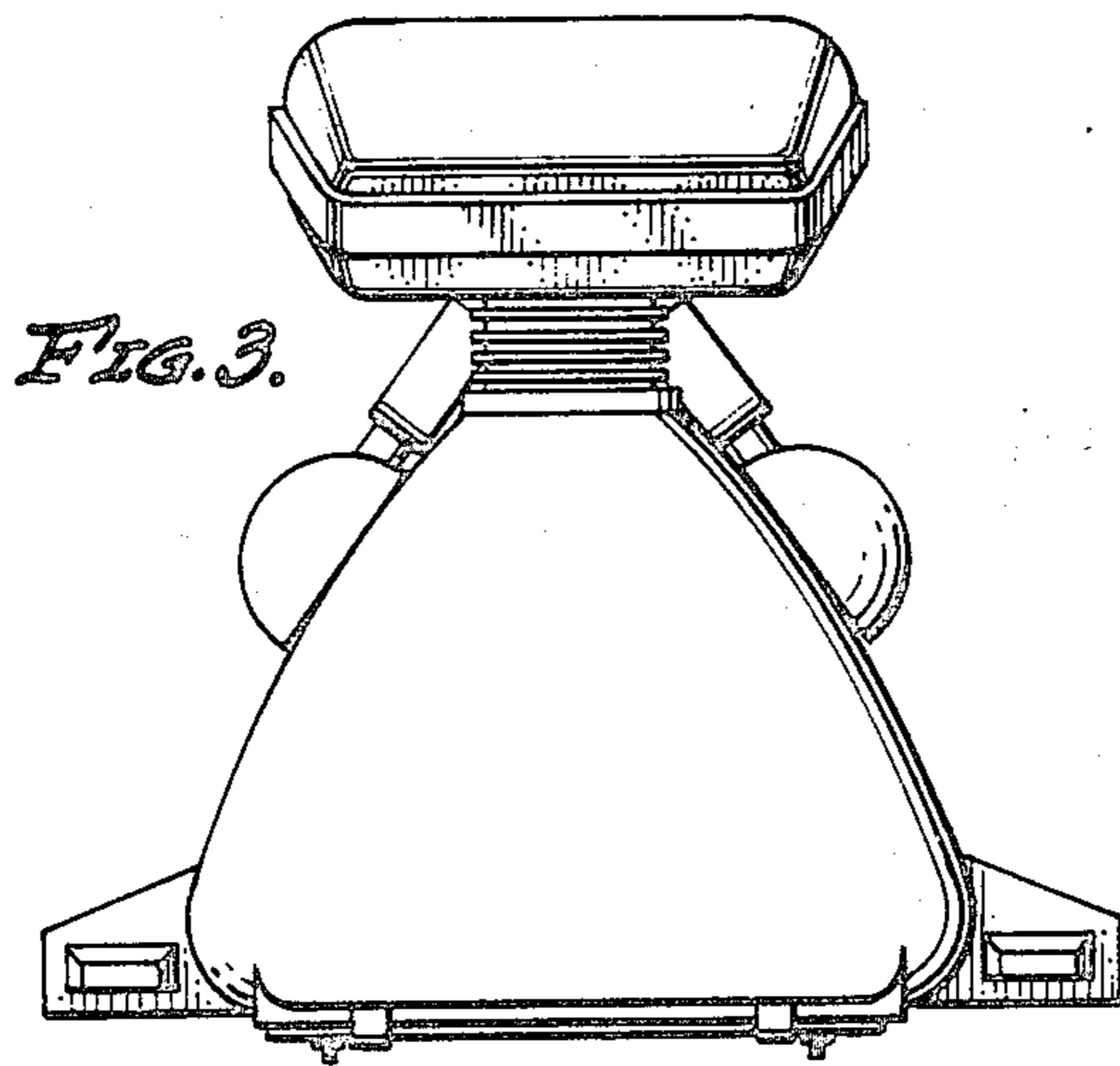
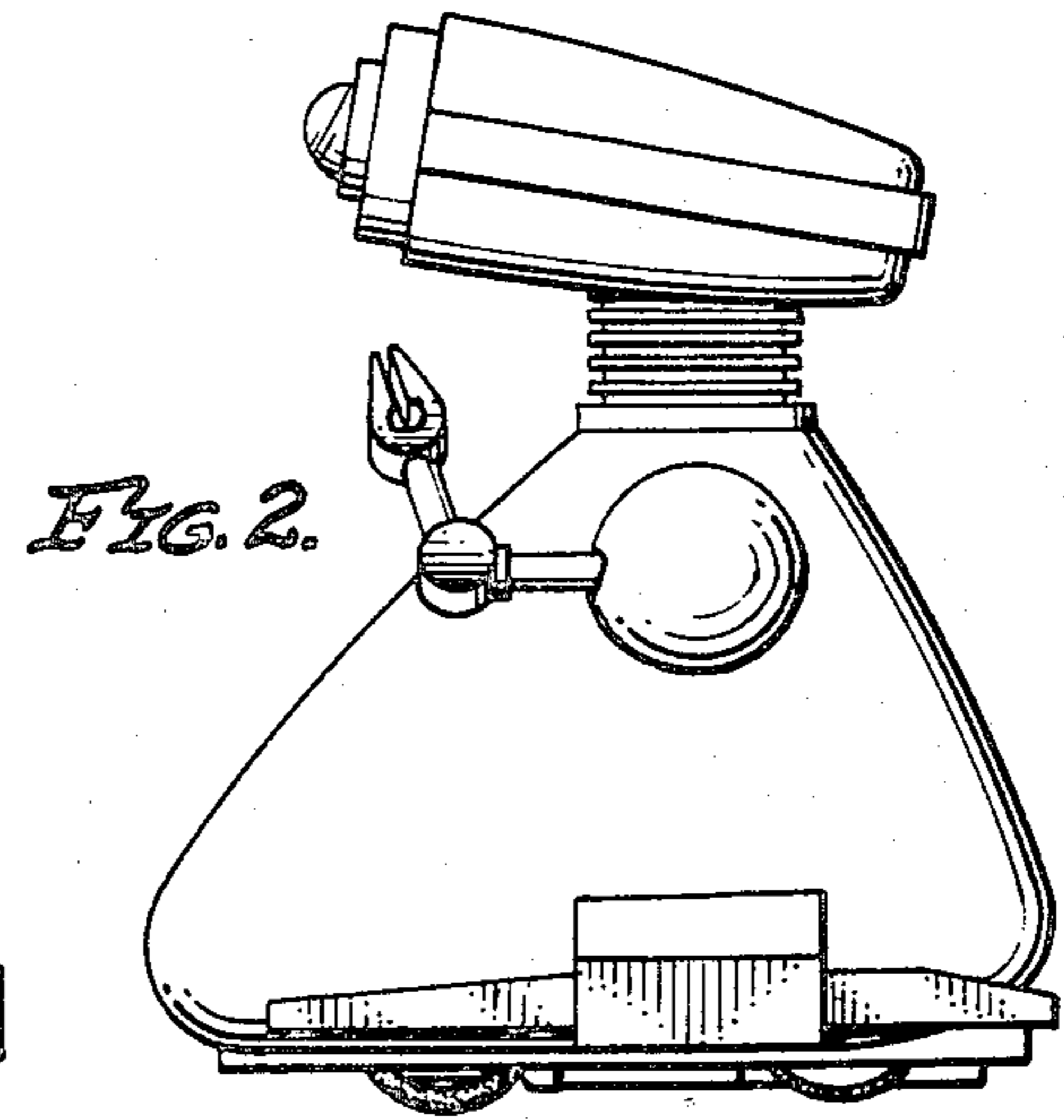
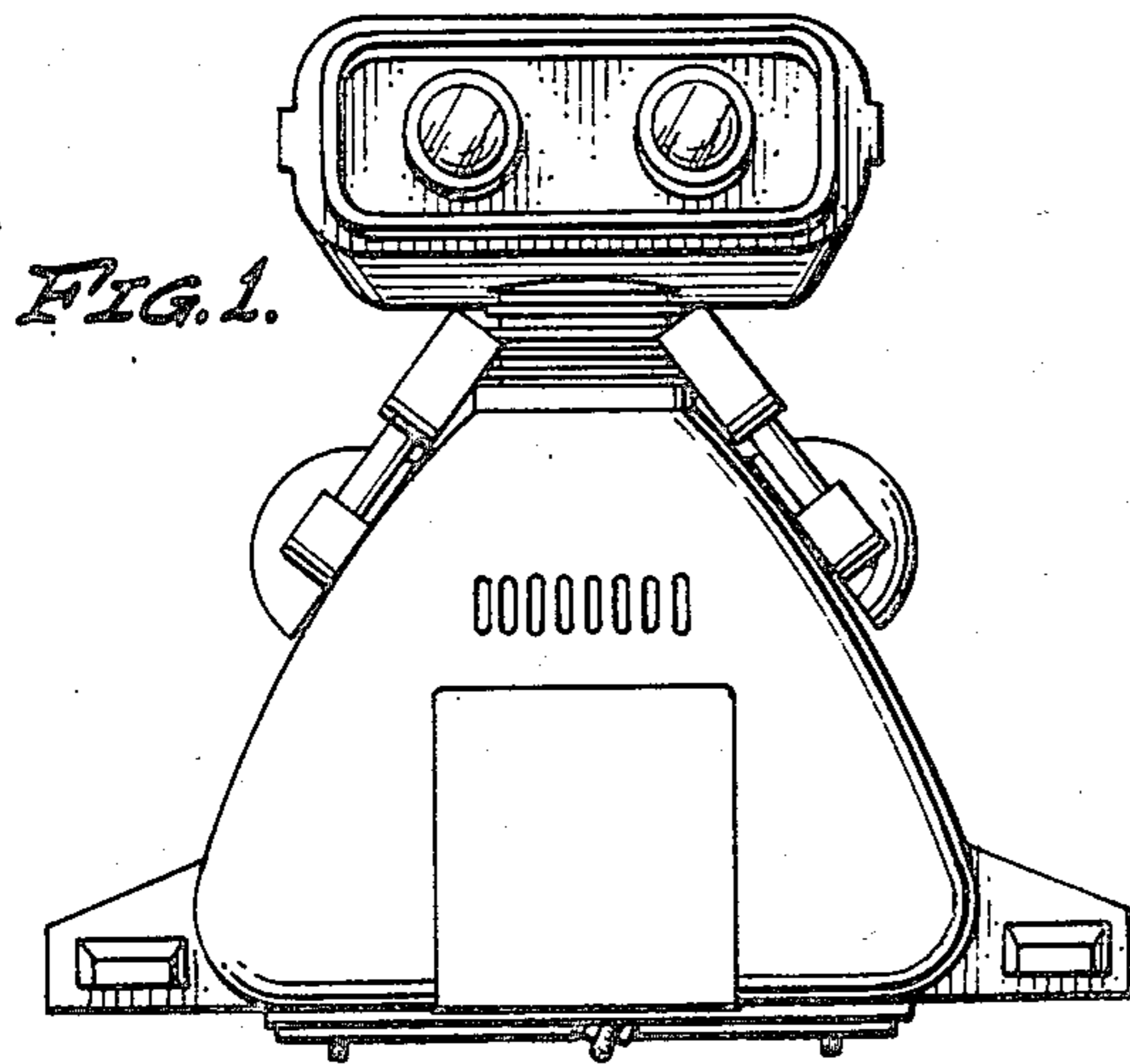
FIG. 2 is a left side elevational view thereof;

FIG. 3 is a rear elevational view thereof;

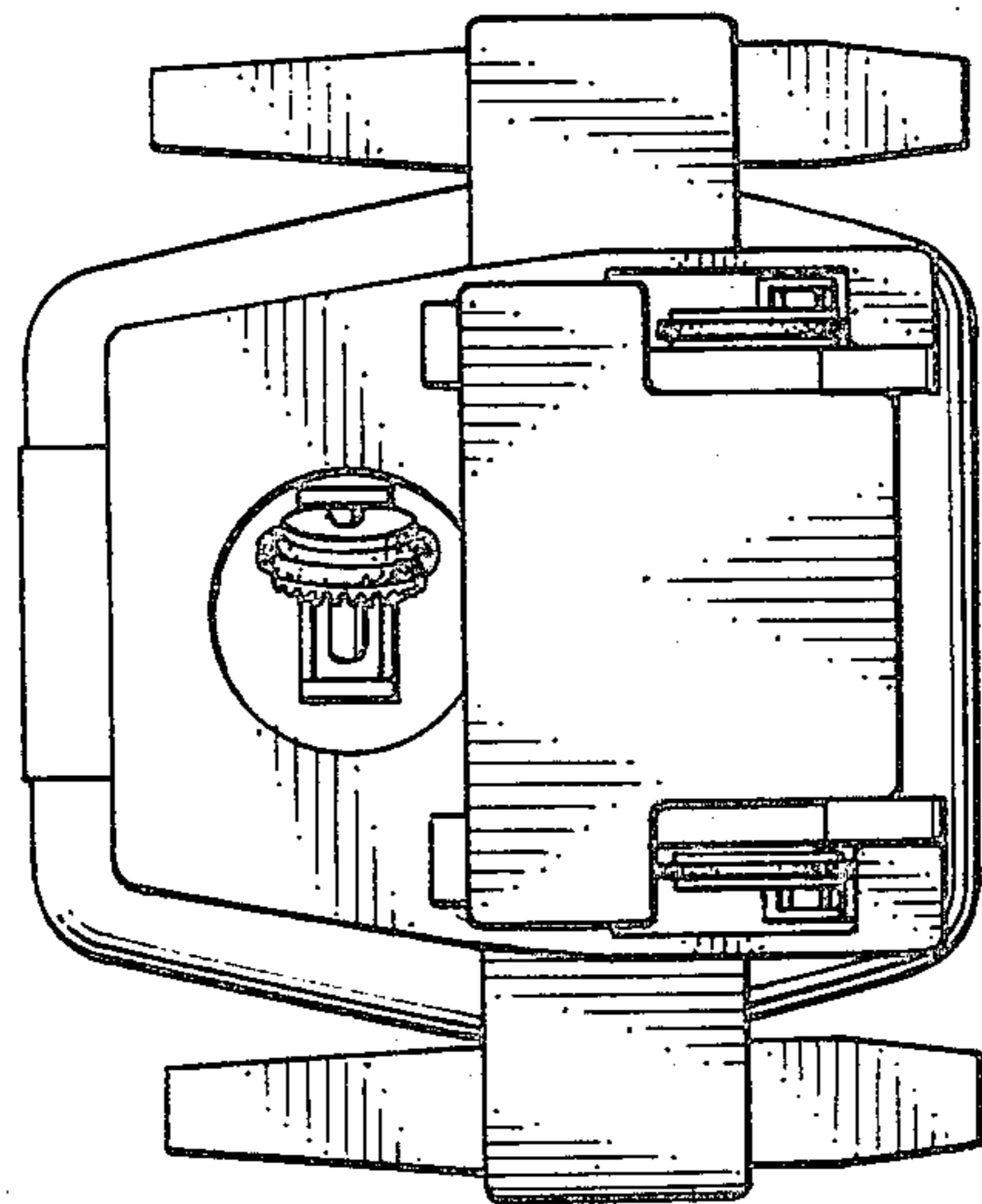
FIG. 4 is a top plan view thereof; and

FIG. 5 is a bottom plan view thereof.





*FIG. 4.*



*FIG. 5.*