

[54] MARBLE GAME RAMP

[75] Inventor: William J. Wichman, Glendora, Calif.

[73] Assignee: Discovery Toys, Inc., Pleasant Hill, Calif.

[**] Term: 14 Years

[21] Appl. No.: 741,076

[22] Filed: Jun. 4, 1985

[52] U.S. Cl. D21/59; D21/143

[58] Field of Search D24/4, 5; 443/97; D21/59, 143, 12, 19; 446/168, 170, 171, 173

[56] References Cited

U.S. PATENT DOCUMENTS

D. 208,789	10/1967	Kuhn .	
D. 230,291	2/1974	Karen	D21/59
D. 233,057	10/1974	Irvine	D21/59
1,274,979	8/1918	Bliley	446/171
2,838,870	6/1958	Morse .	
3,092,928	6/1963	Geiser	446/168
3,101,946	8/1963	Ebert	446/170
3,464,700	9/1969	Clatterbuck	446/168
3,946,516	3/1976	Wirth .	

FOREIGN PATENT DOCUMENTS

1405105	7/1975	United Kingdom	446/168
---------	--------	----------------------	---------

OTHER PUBLICATIONS

Childcraft Catalog, Fall-1984 p. 23, Item B Marble Runway.

"Marble Magic" from Discovery Toys Catalog (Spring 1985).

Kiddiecraft Super Helta Skelta, copied from toy box. Childcraft "Tobaga" from Childcraft, Fall 1984 Catalog.

Toys To Grow On "Build & Roll Raceway", Fall 1984 Catalog.

Bear Creek "Marble Race", Fall 1984 Catalog.

Primary Examiner—Charles A. Rademaker
Attorney, Agent, or Firm—Townsend and Townsend

[57] CLAIM

The ornamental design for a marble game ramp, as shown and described.

DESCRIPTION

FIG. 1 is a perspective view of a marble game ramp showing my new design;

FIG. 2 is a top plan view thereof;

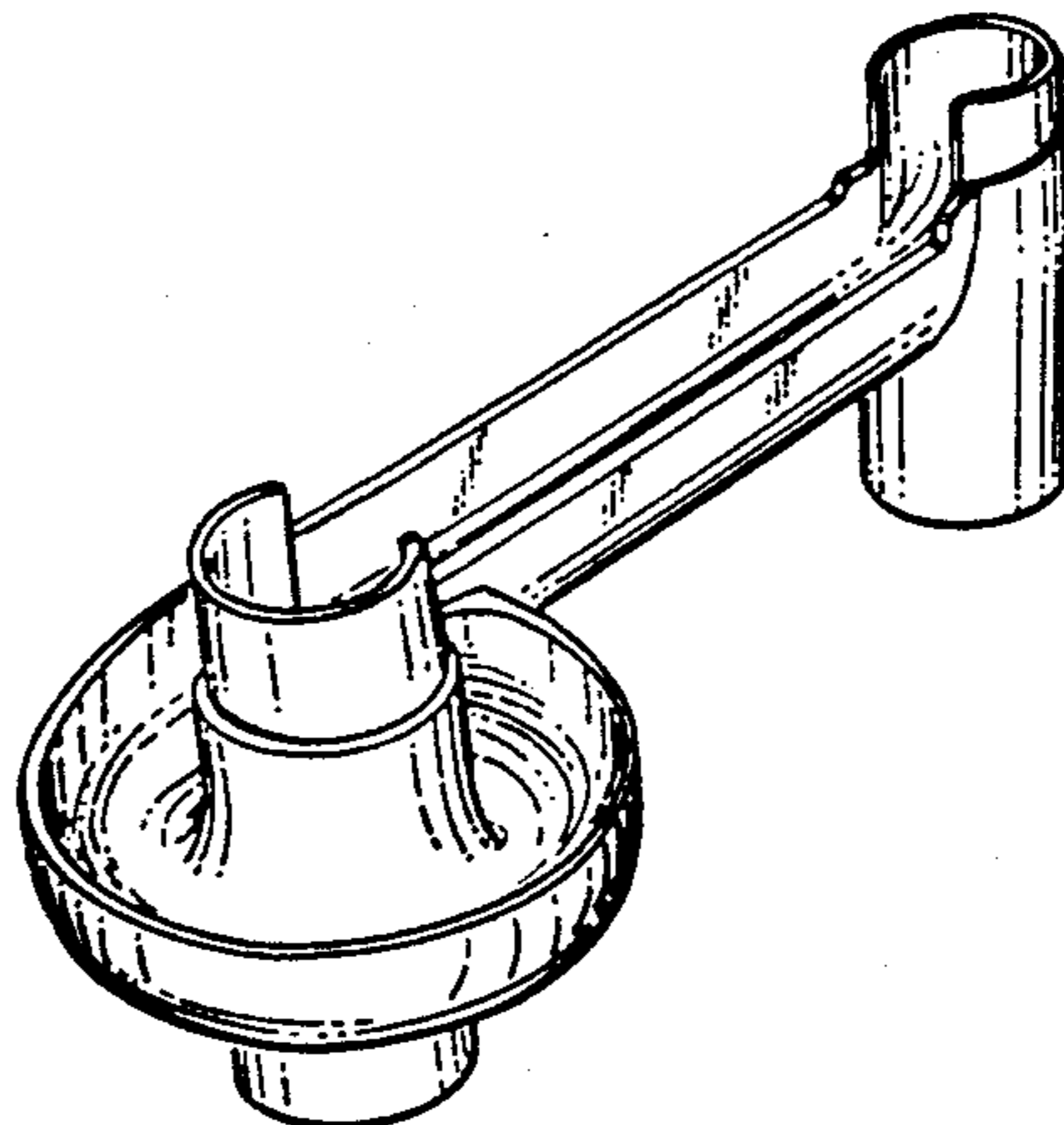
FIG. 3 is a front elevational view thereof;

FIG. 4 is a right side elevational view thereof;

FIG. 5 is a left side elevational view thereof;

FIG. 6 is a rear elevational view thereof; and

FIG. 7 is a bottom plan view thereof.



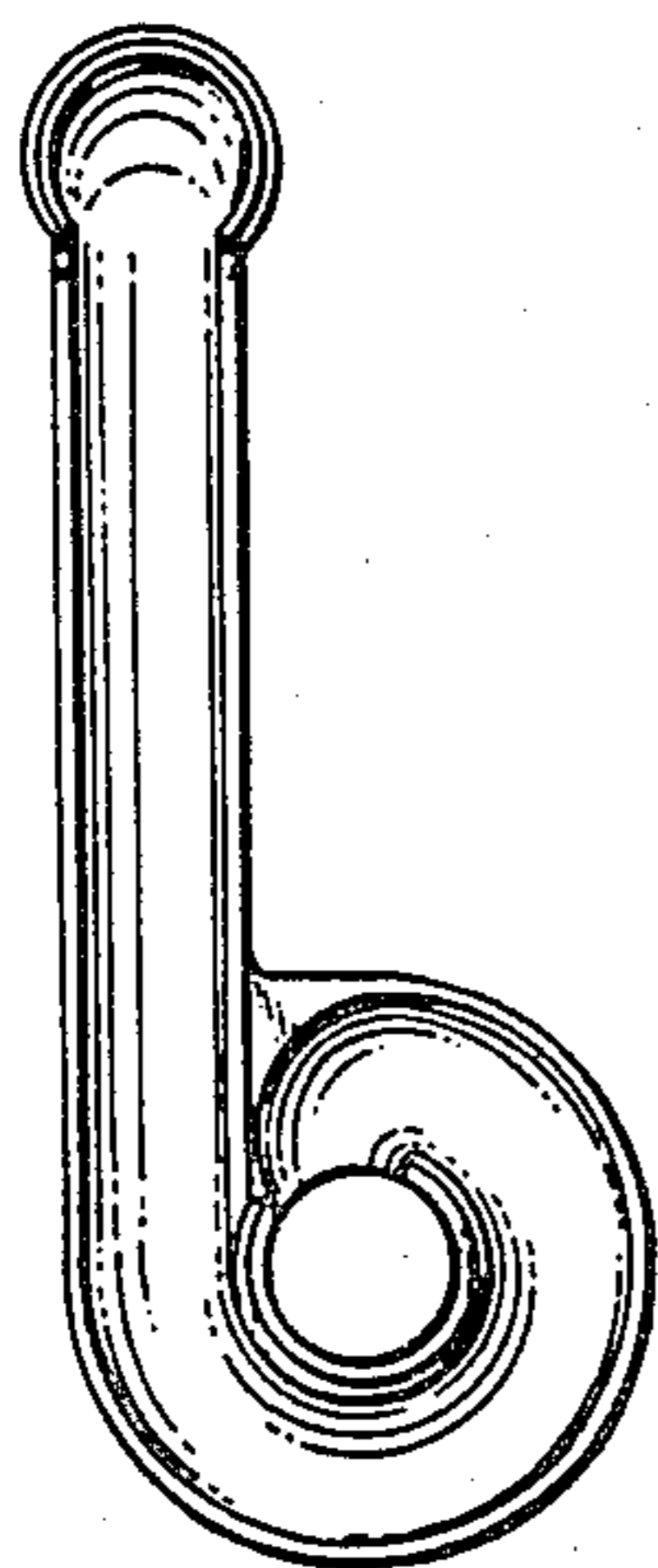


FIG. 2.

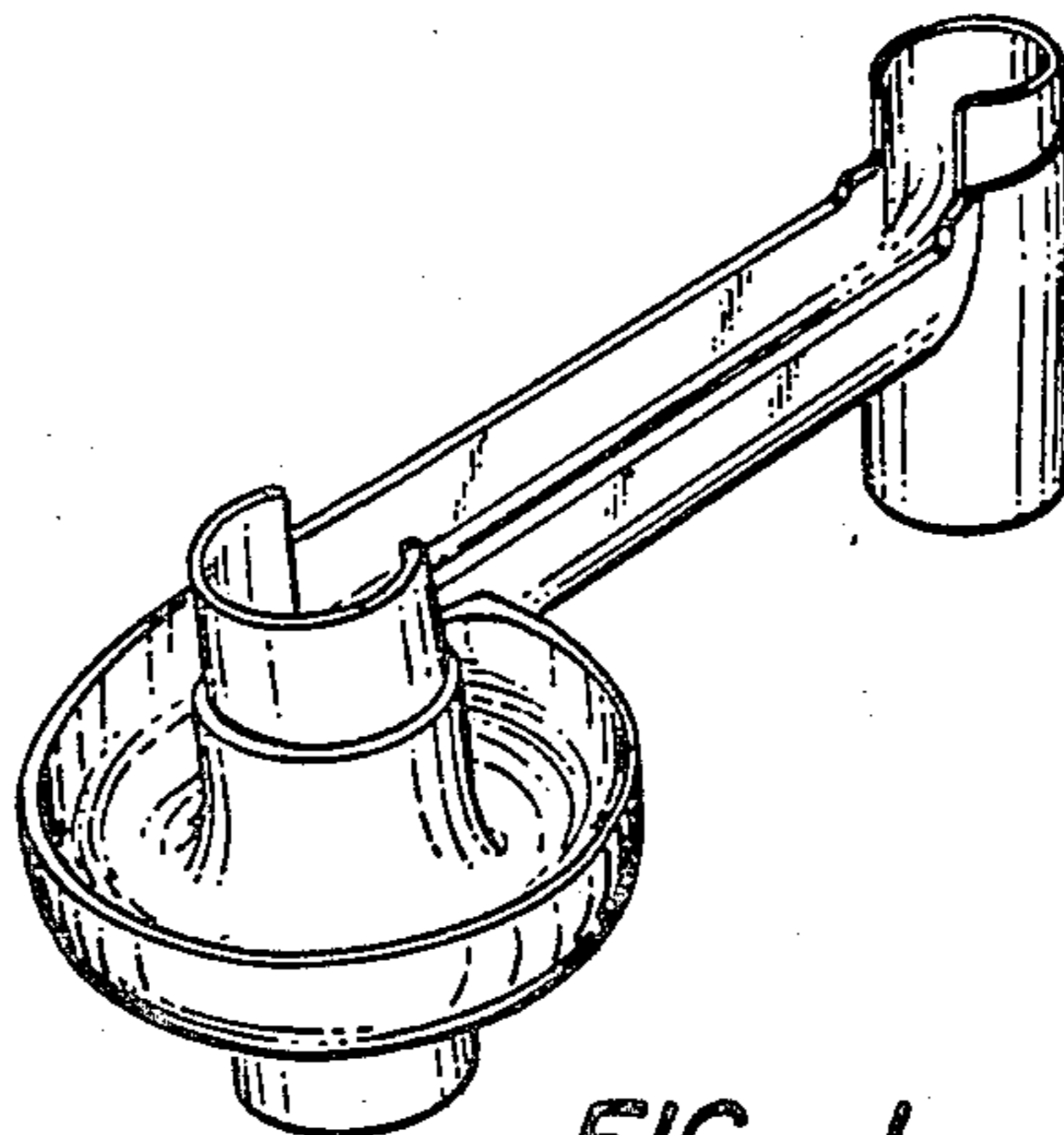


FIG. 1.

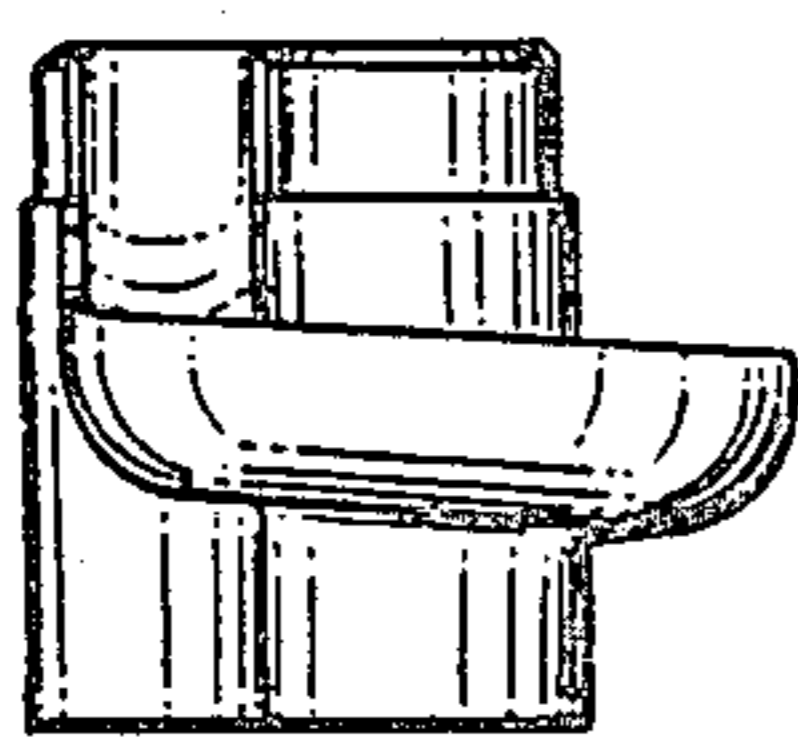


FIG. 3.

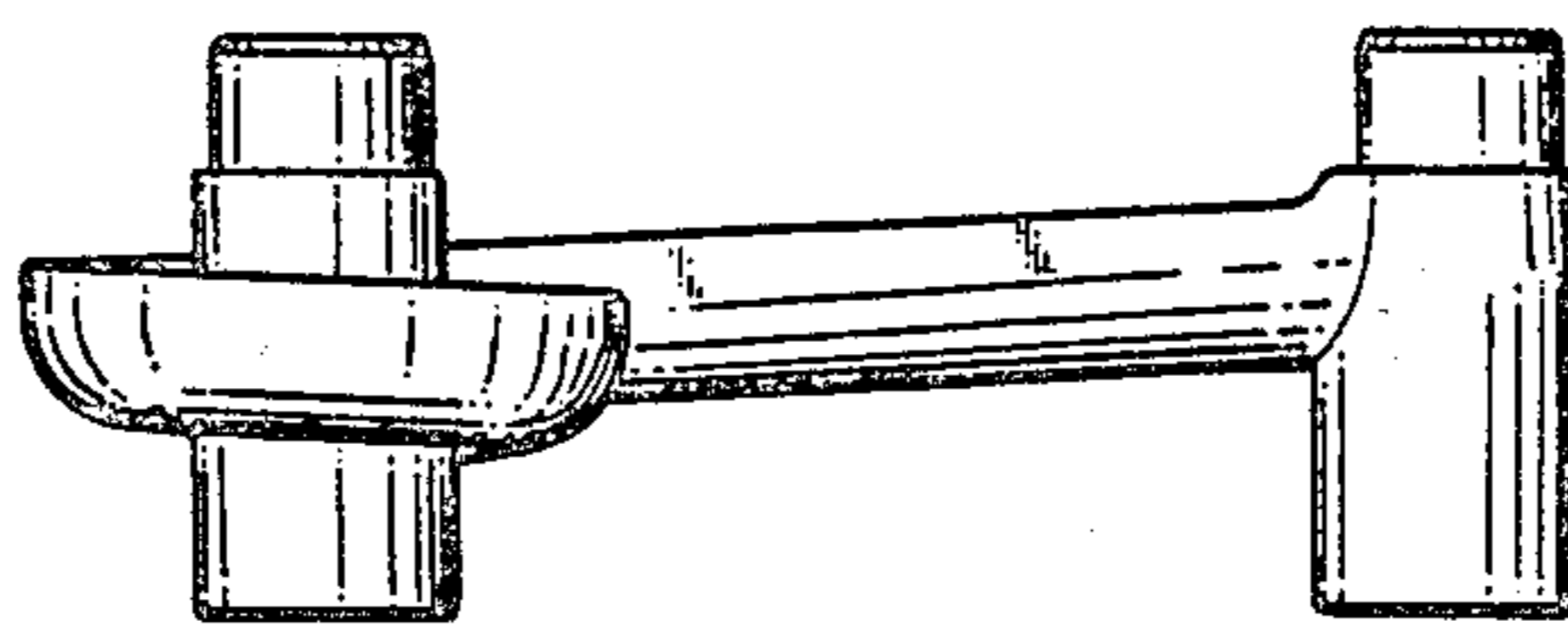


FIG. 4.

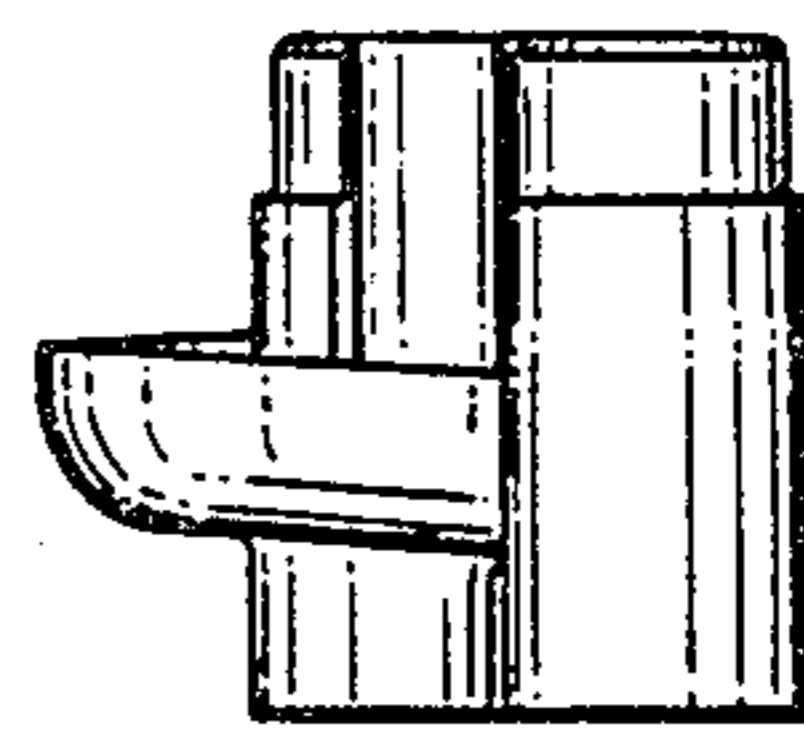


FIG. 6.

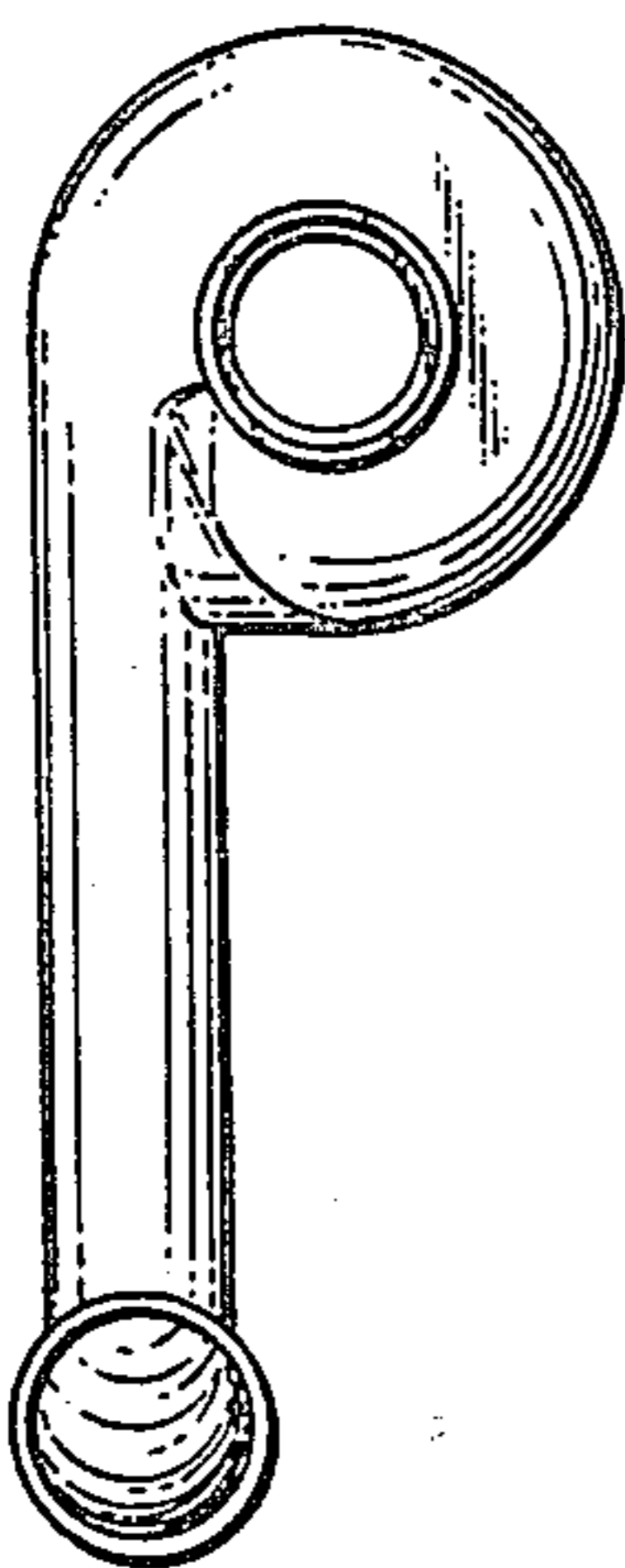


FIG. 7.

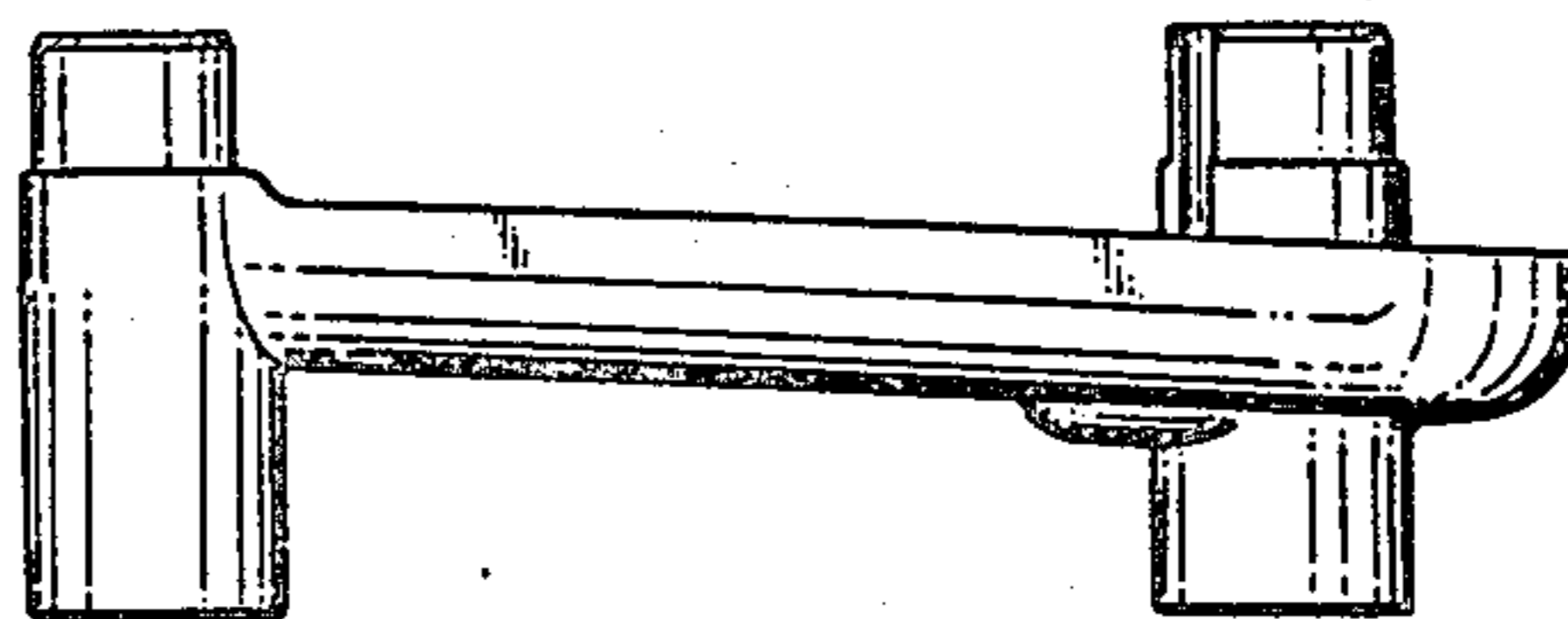


FIG. 5.