

[54] **MARBLE GAME RAMP**

- [75] Inventor: **William J. Wichman**, Glendora, Calif.  
[73] Assignee: **Discovery Toys, Inc.**, Pleasant Hill, Calif.  
[\*\*] Term: **14 Years**  
[21] Appl. No.: **741,314**  
[22] Filed: **Jun. 4, 1985**  
[52] U.S. Cl. .... **D21/19; D21/59; D21/143**  
[58] Field of Search ..... **D21/59, 143, 12, 19; 446/168, 170, 171, 173**

[56] **References Cited**

**U.S. PATENT DOCUMENTS**

D. 208,789	10/1967	Kuhn	.....	D34/15
D. 219,466	12/1970	Miller	.....	D21/143
D. 230,291	2/1974	Karen	.....	D21/59
D. 280,428	9/1985	Kennedy et al.	.....	D21/59
2,838,870	6/1958	Morse	.....	46/43
3,946,516	3/1976	Wirth	.....	46/17

**FOREIGN PATENT DOCUMENTS**

1405105	7/1975	United Kingdom	.....	446/168
---------	--------	----------------	-------	---------

**OTHER PUBLICATIONS**

Childcraft Toy Catalog, p. 23; Item B. Marble Ramp. "Marble Magic" from Discovery Toys Catalog (Spring 1985).  
Kiddiecraft Super Helta Skelta, copied from Toy Box. Childcraft "Tobaga" from Childcraft Fall 1984 Catalog.  
Toys to Grow On "Build & Roll Raceway", Fall 1984 Catalog.  
Bear Creek "Marble Race" Fall 1984 Catalog.

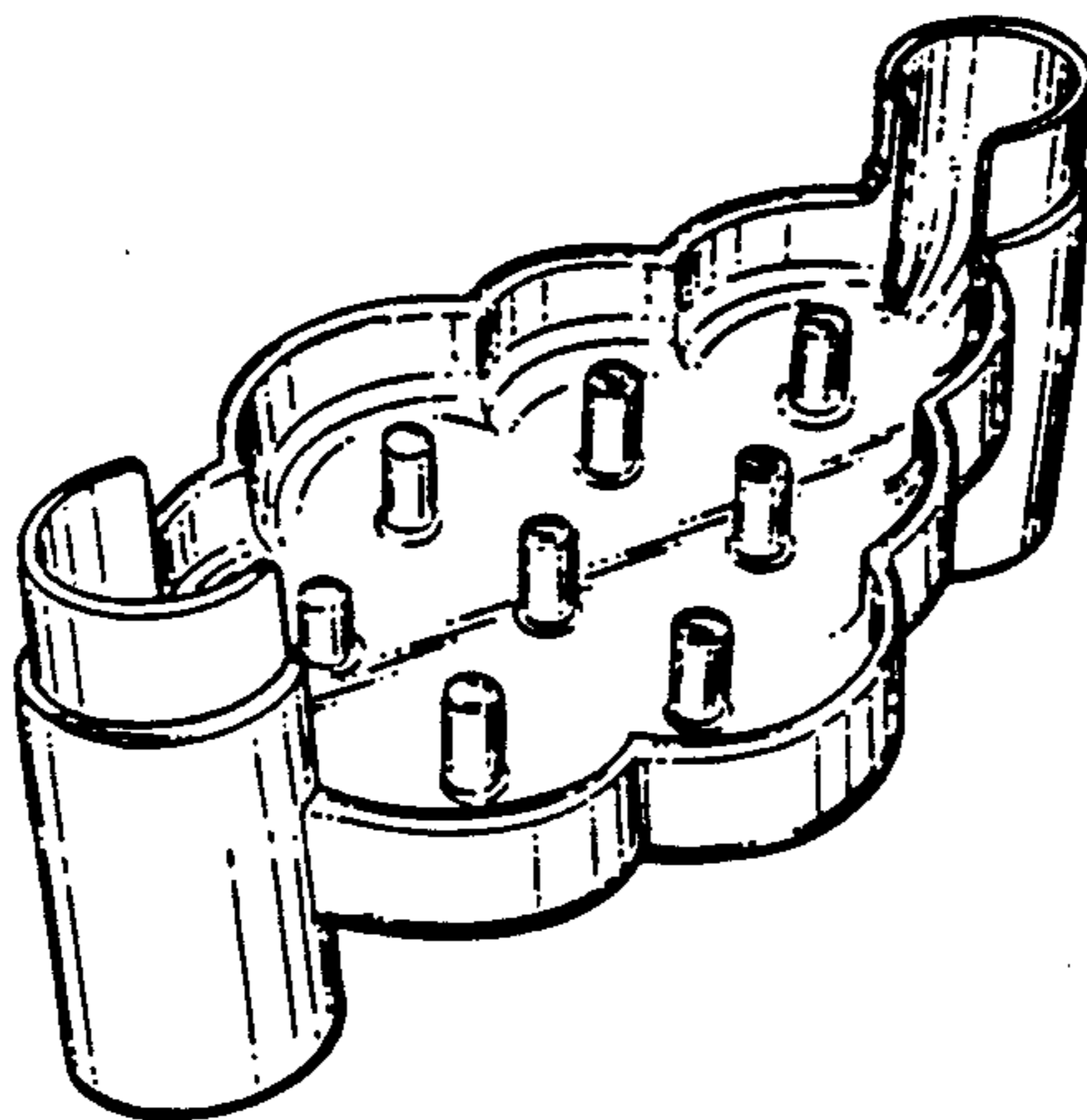
*Primary Examiner*—Charles A. Rademaker  
*Attorney, Agent, or Firm*—Townsend and Townsend

[57] **CLAIM**

The ornamental design for a marble game ramp, as shown and described.

**DESCRIPTION**

FIG. 1 is a perspective view of a marble game ramp showing my new design;  
FIG. 2 is a top plan view thereof;  
FIG. 3 is a front elevational view thereof;  
FIG. 4 is a right side elevational view thereof;  
FIG. 5 is a left side elevational view thereof;  
FIG. 6 is a rear elevational view thereof; and  
FIG. 7 is a bottom plan view thereof.



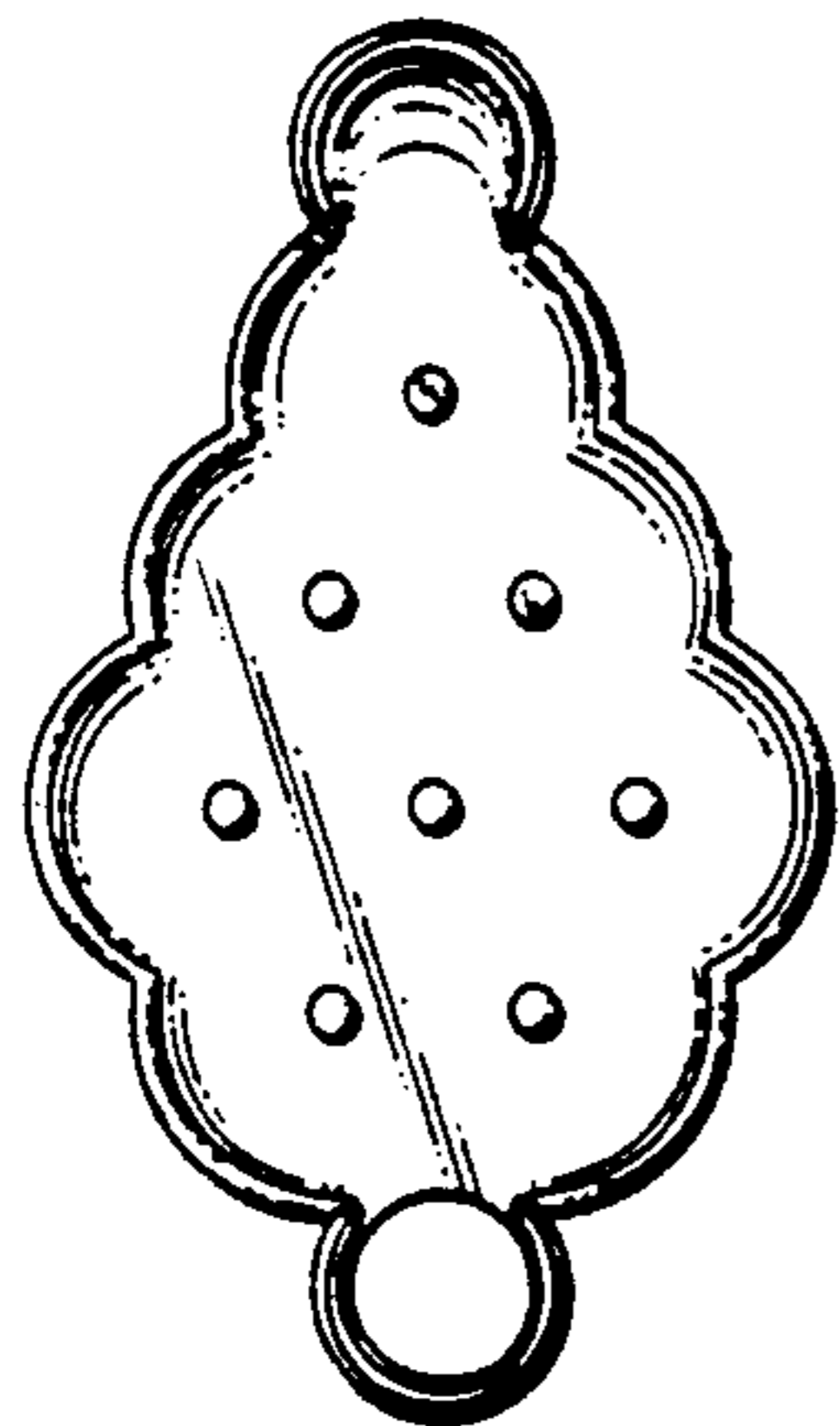


FIG. 2.

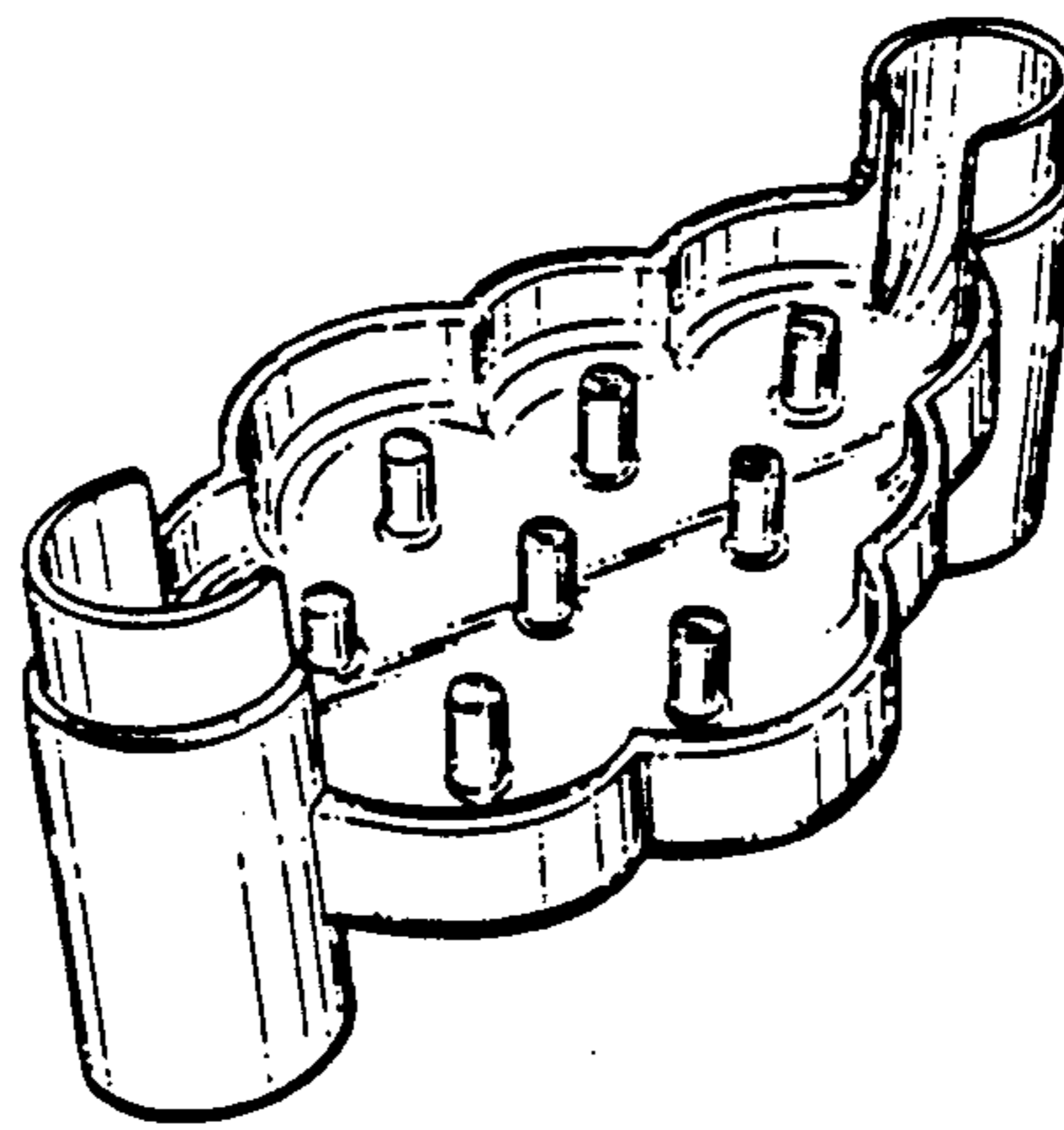


FIG. 1.

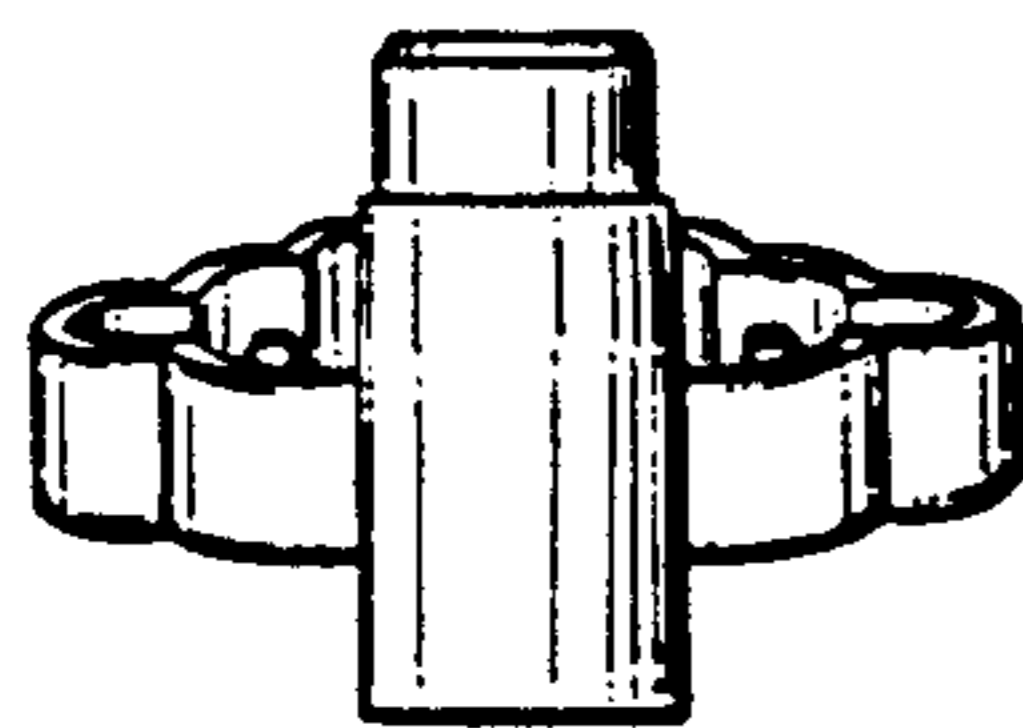


FIG. 3.

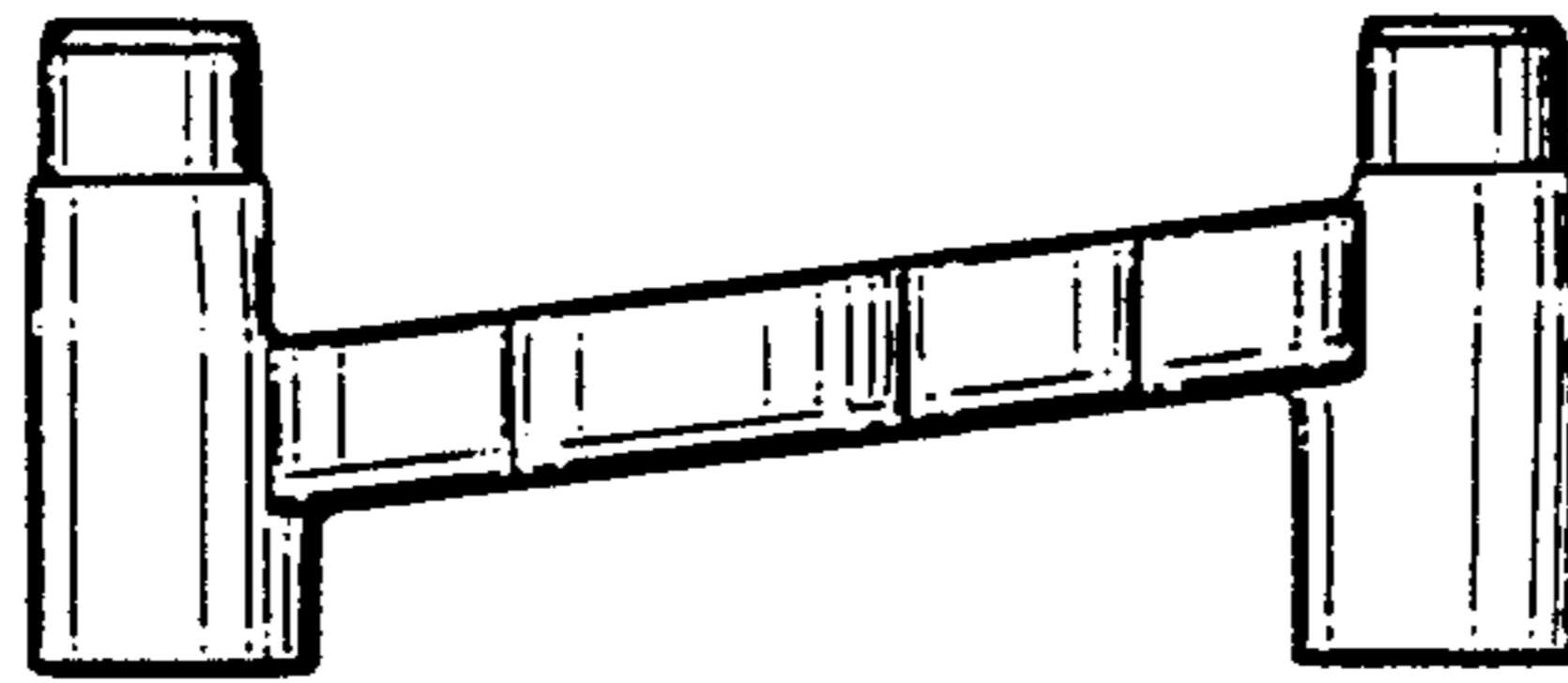


FIG. 4.

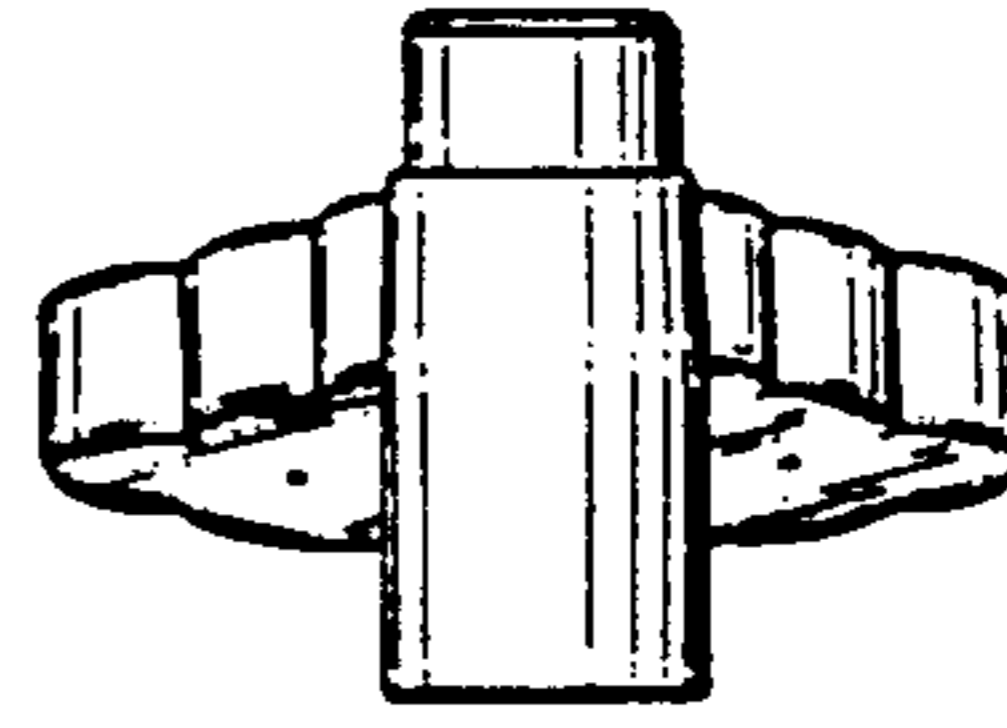


FIG. 6.

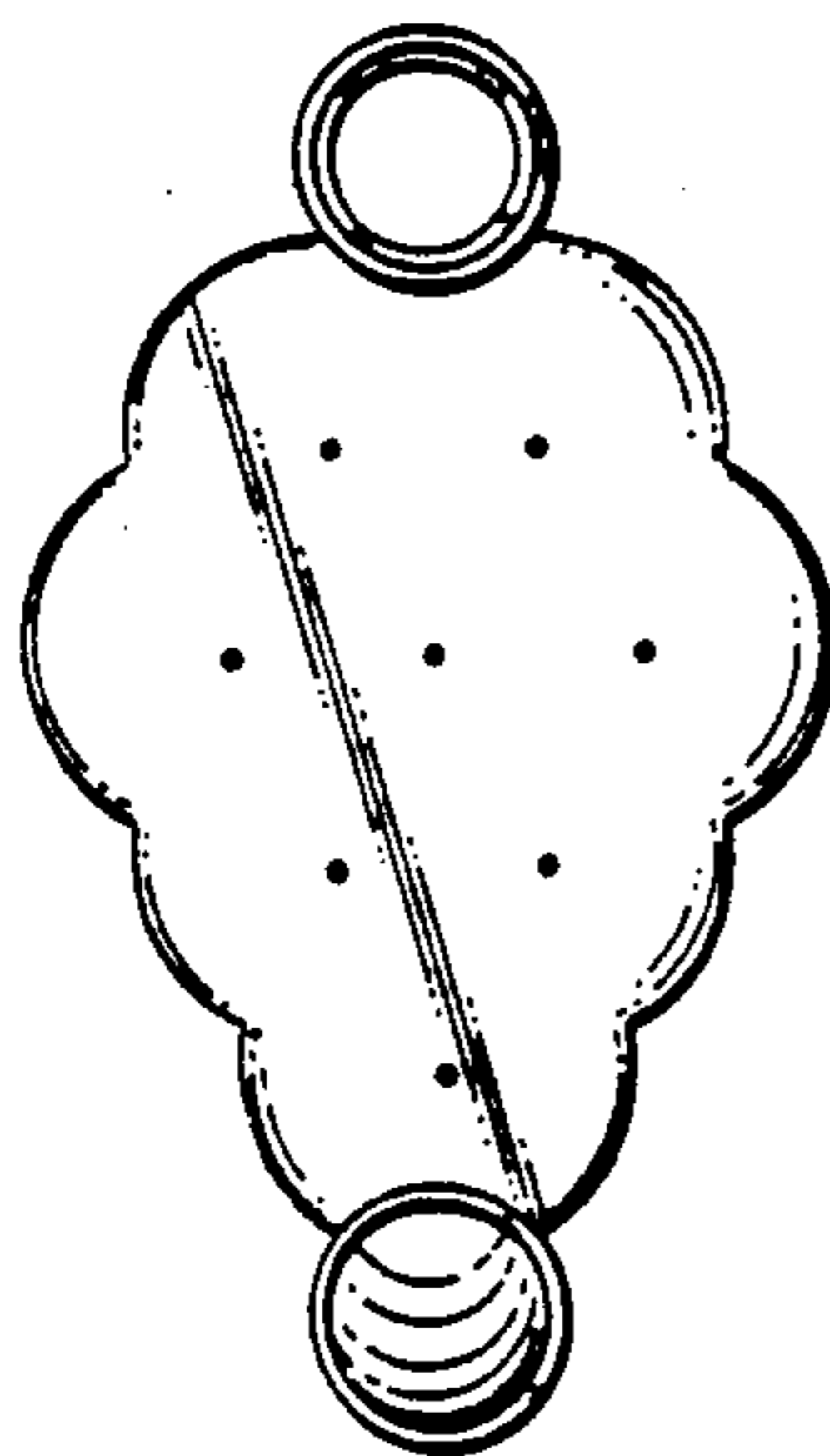


FIG. 7.

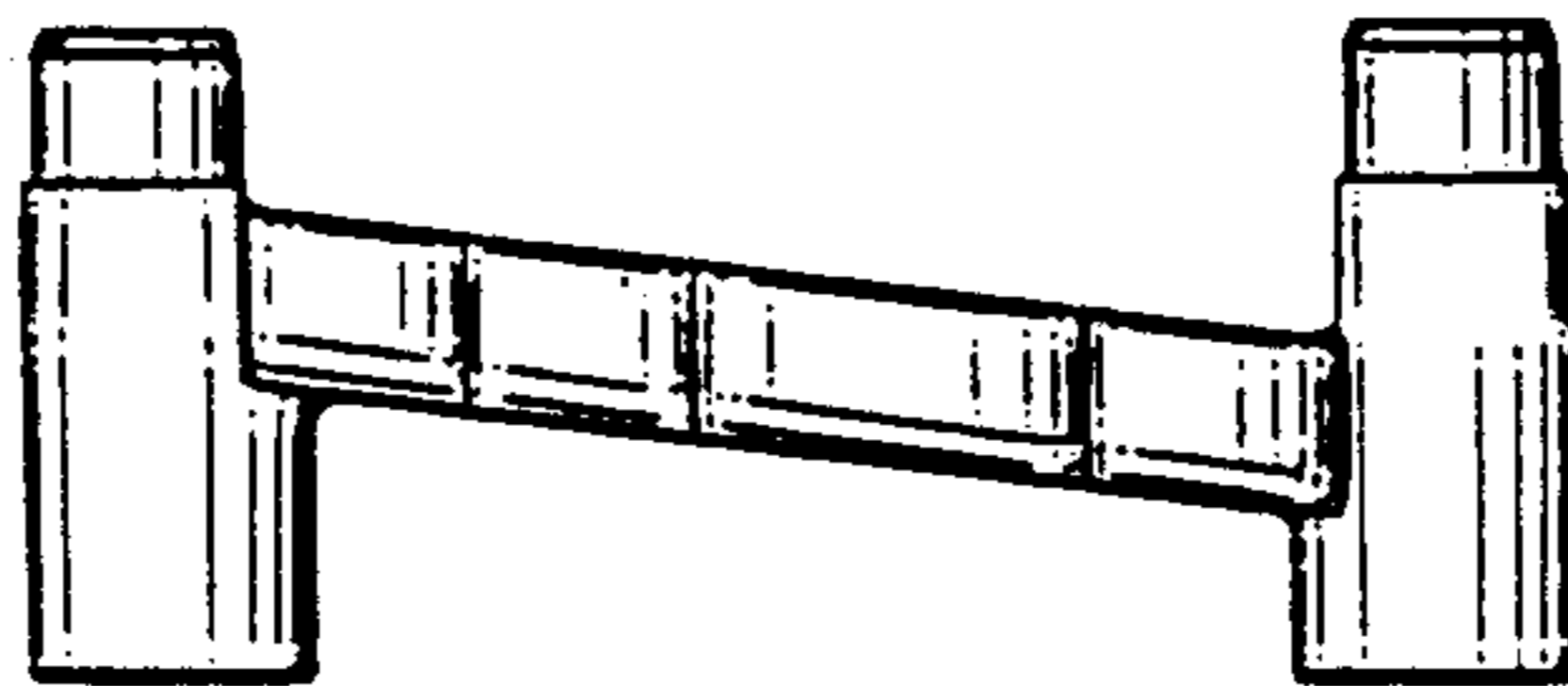


FIG. 5.