

[54] BOOKHOLDER OR SIMILAR ARTICLE

4,135,626 1/1979 Cawood ..... 211/43

[75] Inventor: Matthew A. Moustakas, Doylestown, Pa.

Primary Examiner—Bernard Ansher  
Assistant Examiner—Terry Pfeffer  
Attorney, Agent, or Firm—Edwin E. Greigg

[73] Assignee: Ketcham & McDougall, Inc., Roseland, N.J.

[57] CLAIM

[\*\*] Term: 14 Years

The ornamental design for a bookholder or similar article, as shown and described.

[21] Appl. No.: 669,712

DESCRIPTION

[22] Filed: Nov. 9, 1984

[52] U.S. Cl. .... D19/34.1

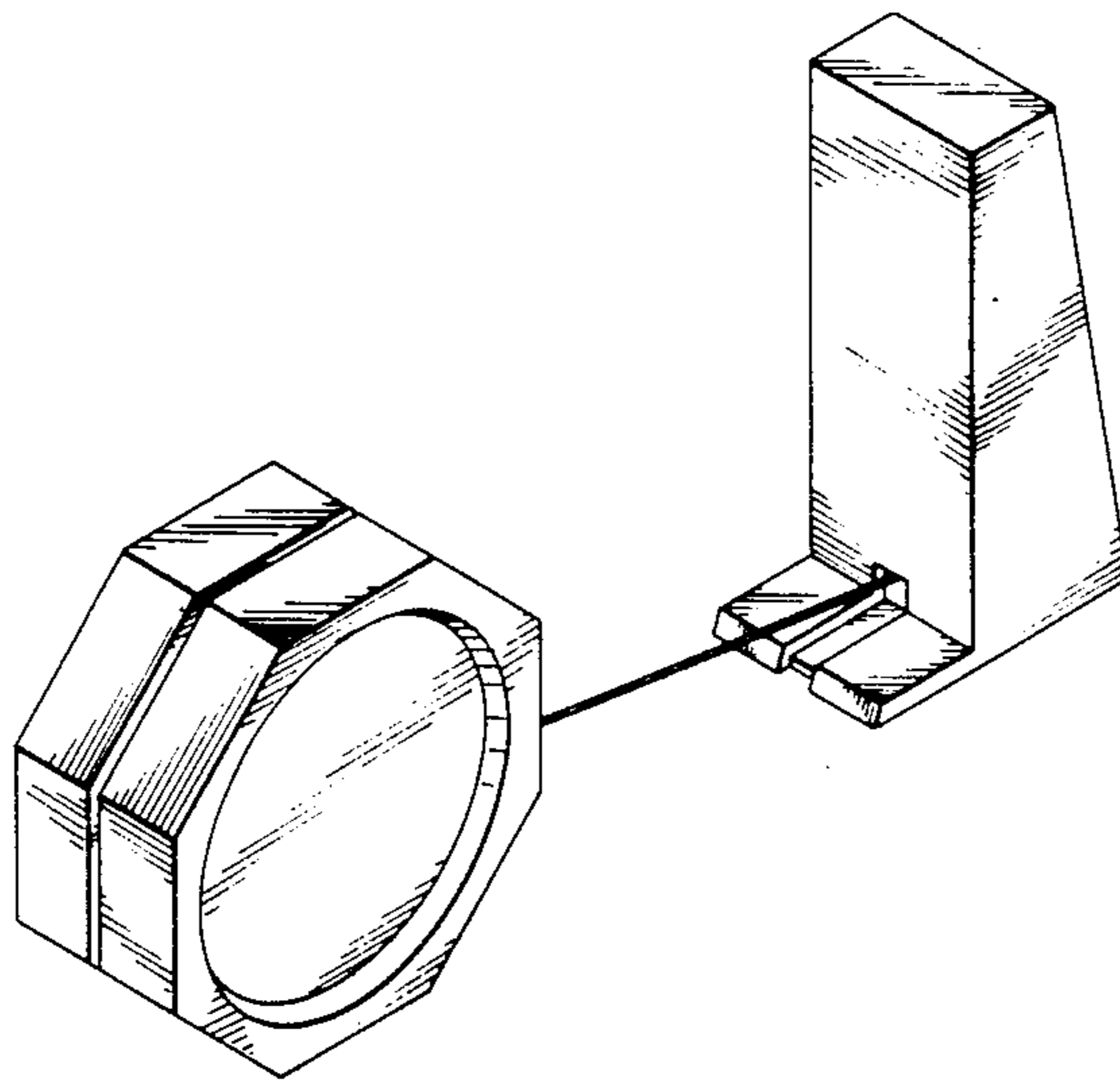
[58] Field of Search ..... D6/300; D19/34.1-34.5; 211/42, 43; 248/441.1, 451, 453

FIG. 1 is a perspective view of a bookholder or similar article showing my new design, the undisclosed rear view being a mirror image;  
FIG. 2 is a front elevational view;  
FIG. 3 is a left side elevational view;  
FIG. 4 is a right side elevational view;  
FIG. 5 is a top plan view; and  
FIG. 6 is a bottom plan view.

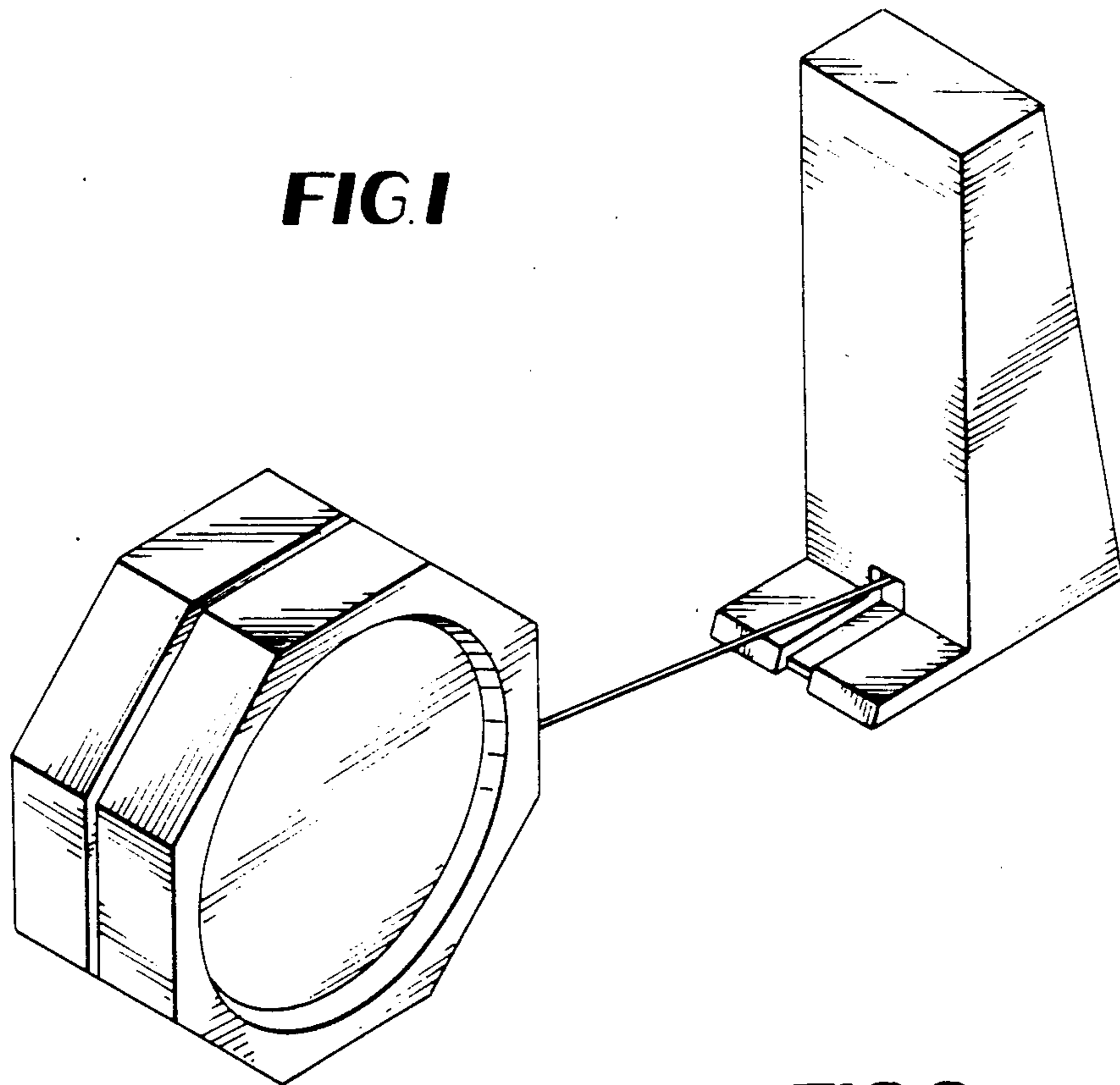
[56] References Cited

U.S. PATENT DOCUMENTS

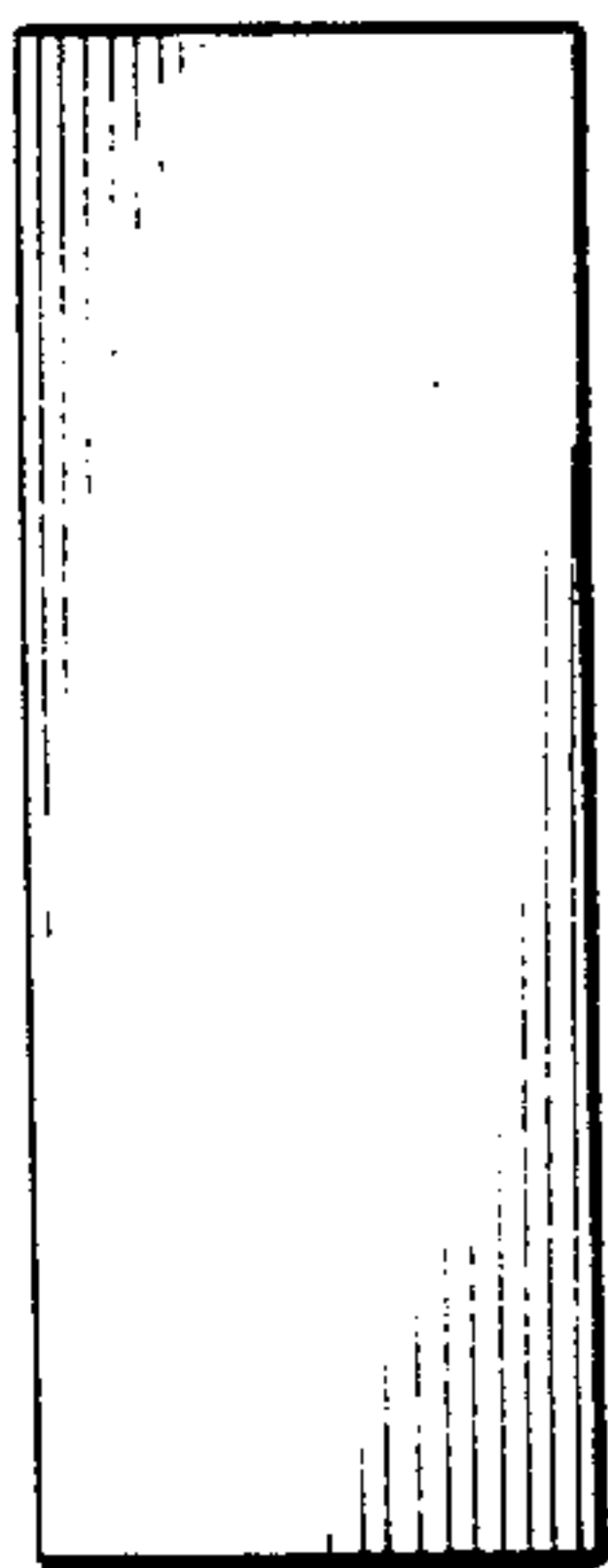
3,679,064 7/1972 Howkinson ..... 211/43



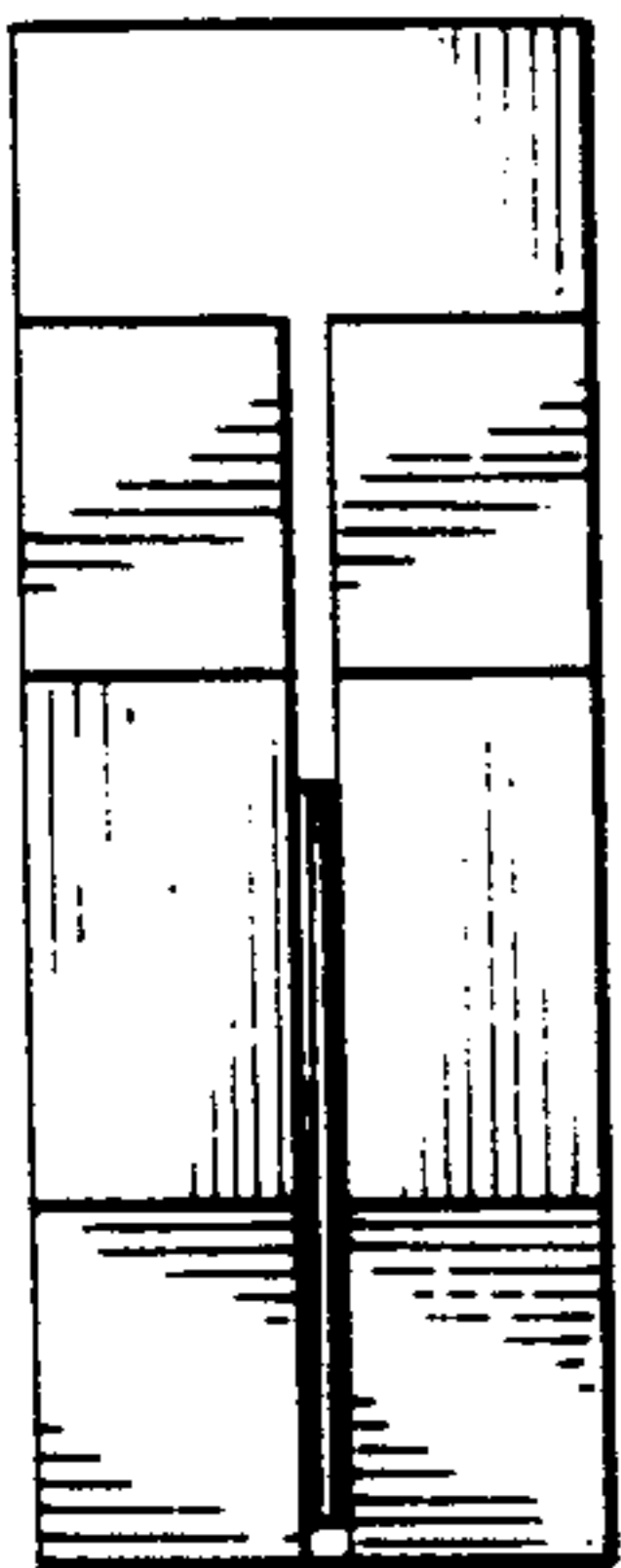
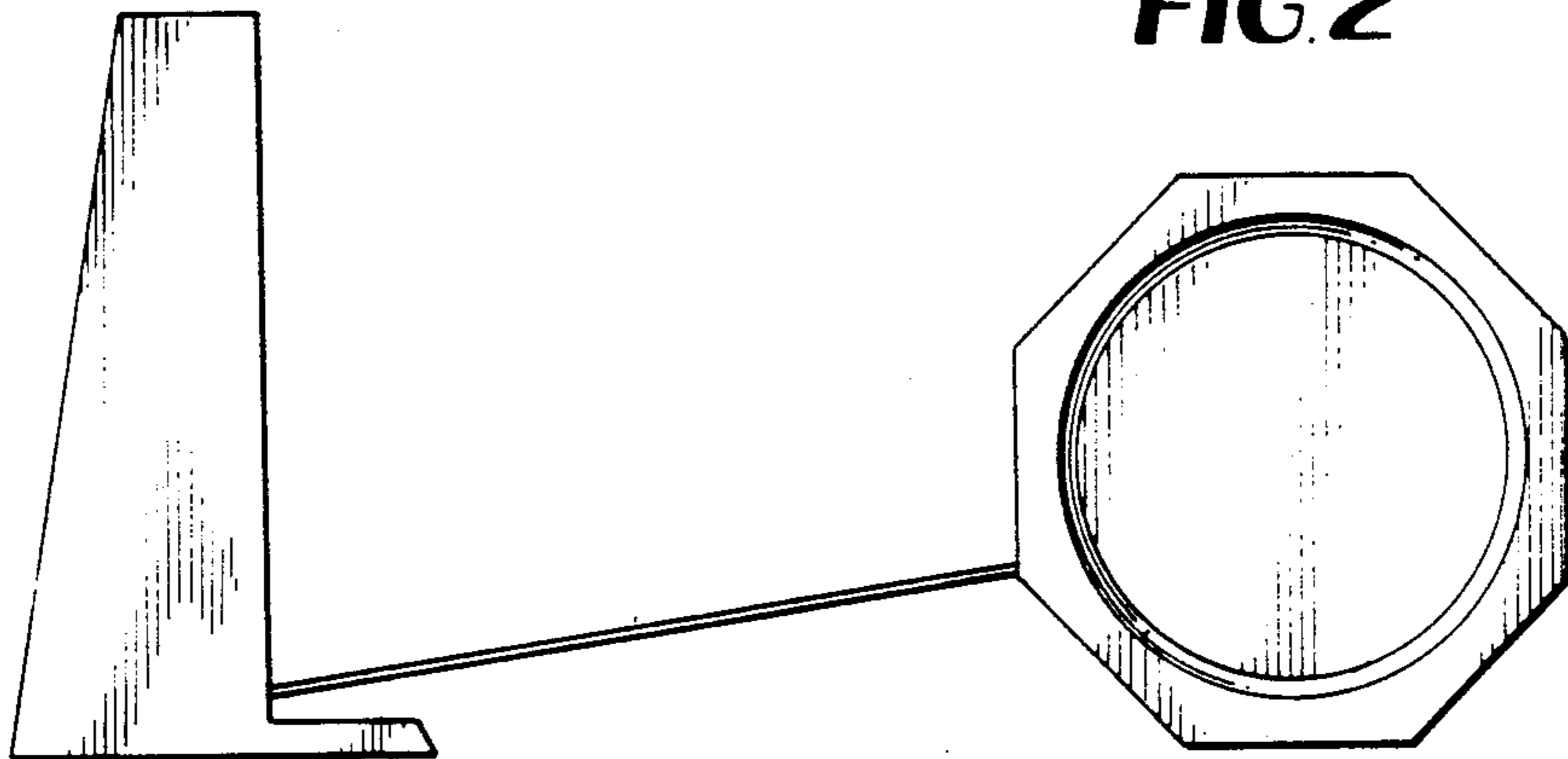
**FIG. 1**



**FIG. 3**

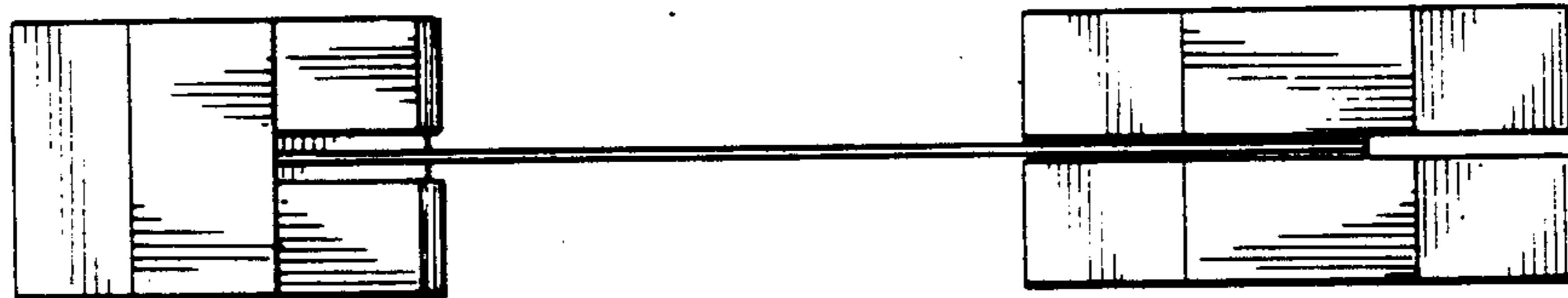


**FIG. 2**



**FIG. 4**

**FIG. 5**



**FIG. 6**

