

[54] **COMPUTER PRINTER STAND AND RECEIVING TRAY**

[76] Inventor: **Harold N. McCoy**, 2222 Gumtree La., Fallbrook, Calif. 92028

[**] Term: **14 Years**

[21] Appl. No.: **676,416**

[22] Filed: **Nov. 28, 1984**

[52] U.S. Cl. **D18/23; D6/422; D6/462; D14/114**

[58] Field of Search **D18/12, 22, 23, 99; D14/114; 312/208; 493/410, 412, 411, 413, 414; D6/422, 423, 425-428, 474, 462**

[56] **References Cited**

U.S. PATENT DOCUMENTS

- D. 108,313 2/1938 Anderson D18/23
- D. 250,765 1/1979 Smith D16/32
- 4,568,212 2/1986 Cooke et al. 312/208 X

OTHER PUBLICATIONS

Devoke Data Products Catalog Q-2/83, p. 17—Universal Printer Stand at bottom left.

Primary Examiner—Louis S. Zarfaz
Attorney, Agent, or Firm—Knobbe, Martens, Olson & Bear

[57] **CLAIM**

The ornamental design for a computer printer stand and receiving tray, as shown and described.

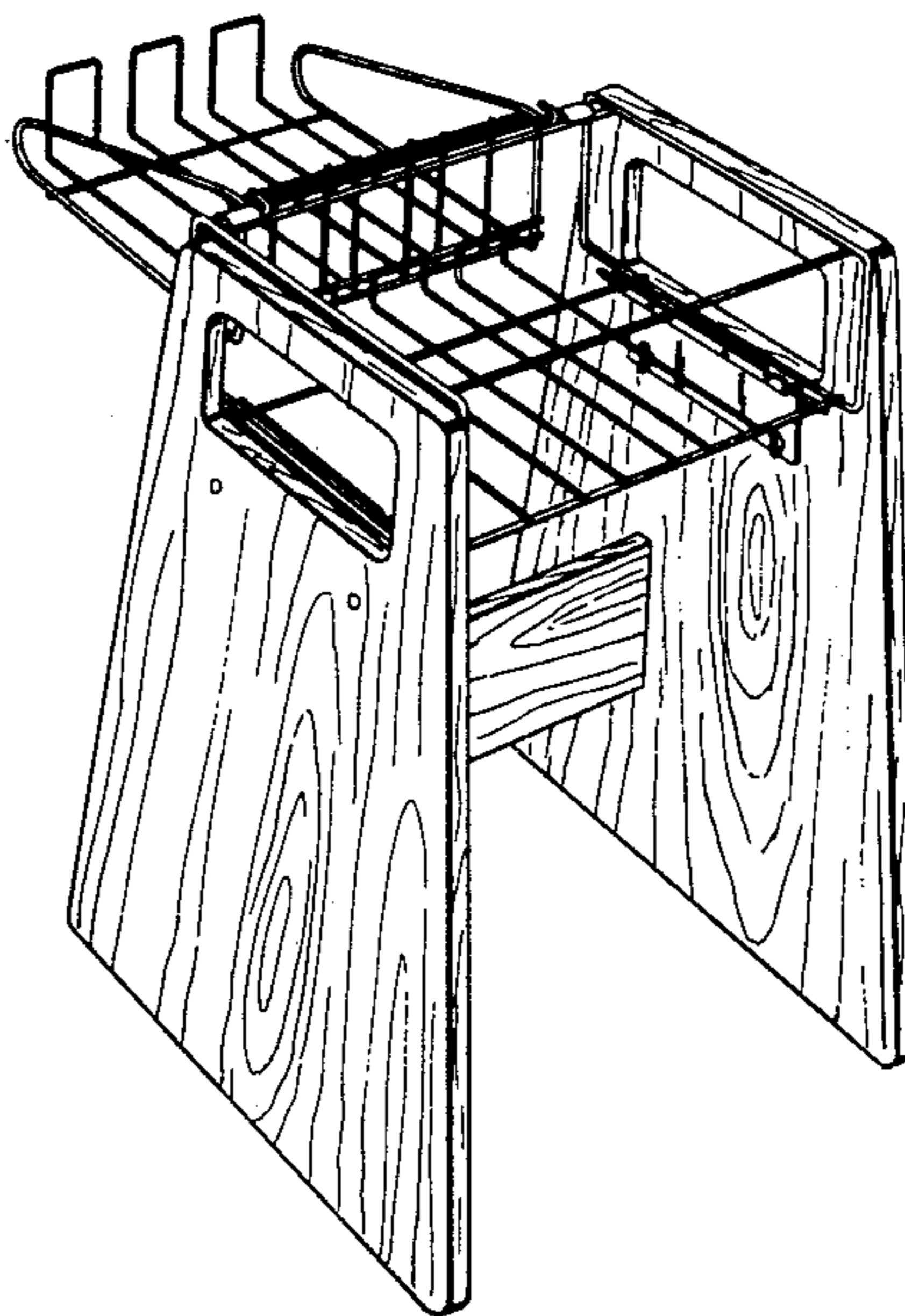
DESCRIPTION

FIG. 1 is a front perspective view of a first embodiment of a computer printer stand and receiving tray according to the invention;

FIG. 2 is a rear perspective view of the computer printer stand and receiving tray of FIG. 1;

FIG. 3 is an enlarged front perspective view of a portion of the computer printer stand and receiving tray shown in FIGS. 1 and 2; and

FIG. 4 is a rear perspective view of the portion of the computer printer stand and receiving tray of FIG. 3.



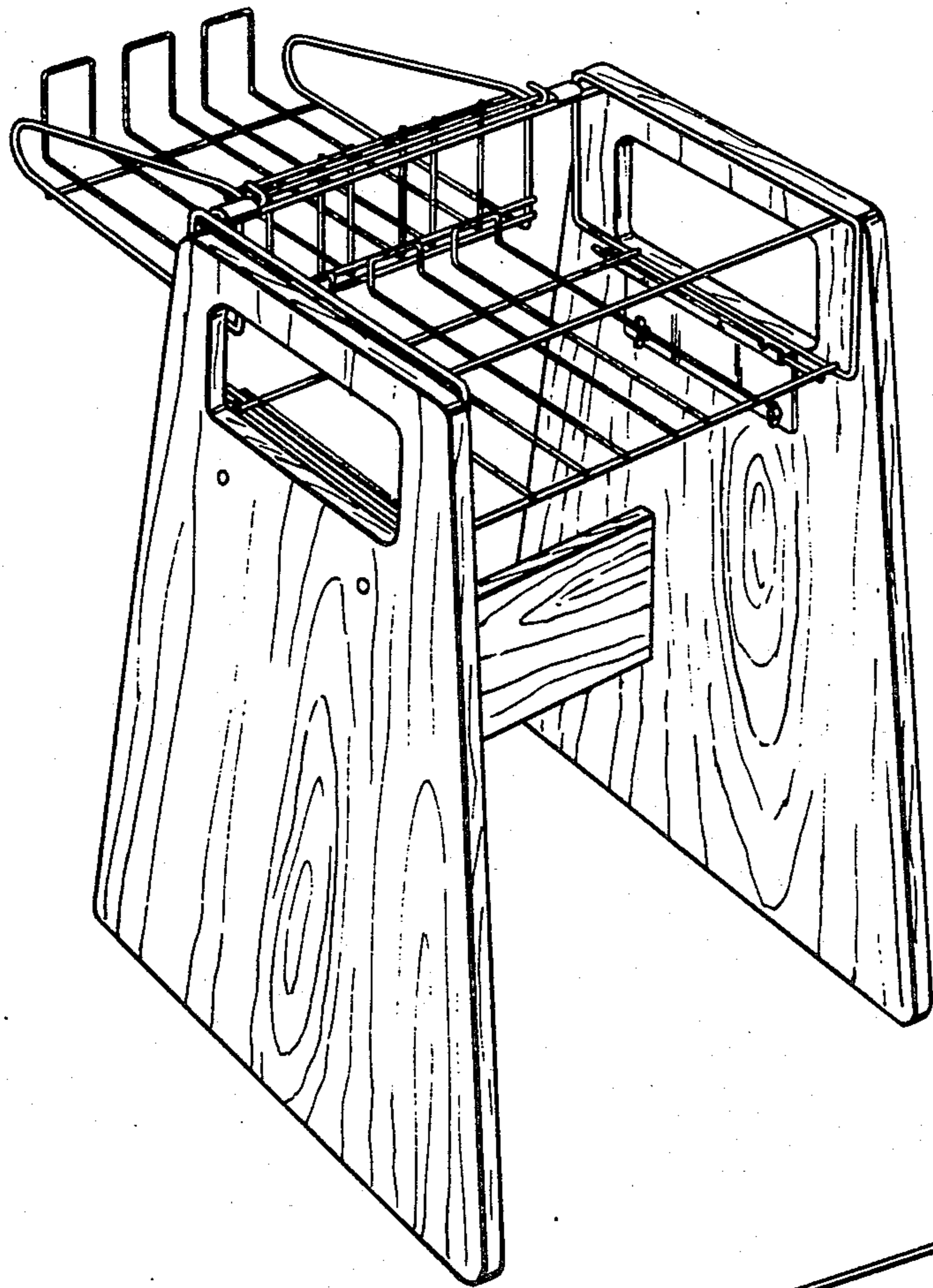


Fig. 1

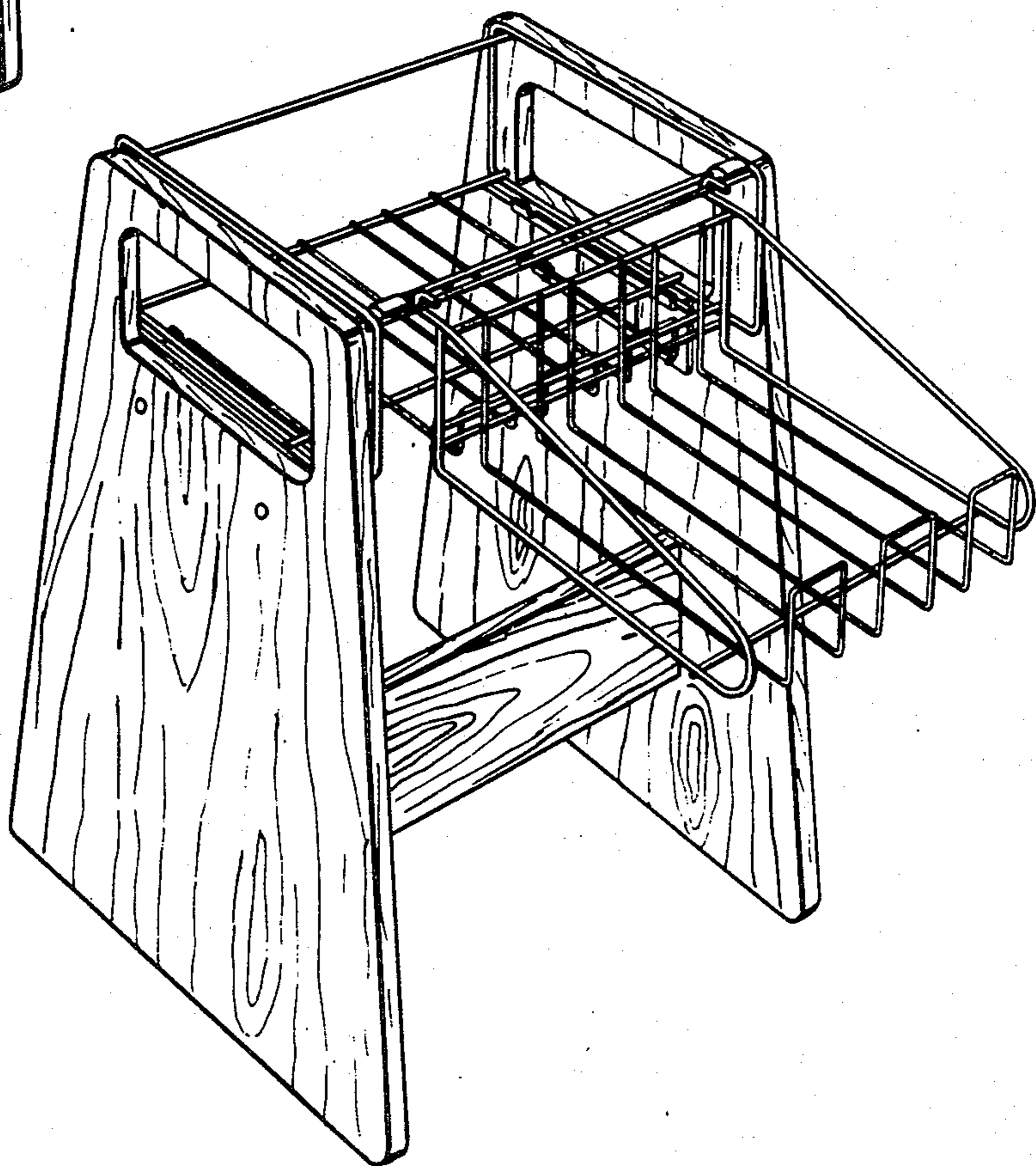


Fig. 2

Fig. 3

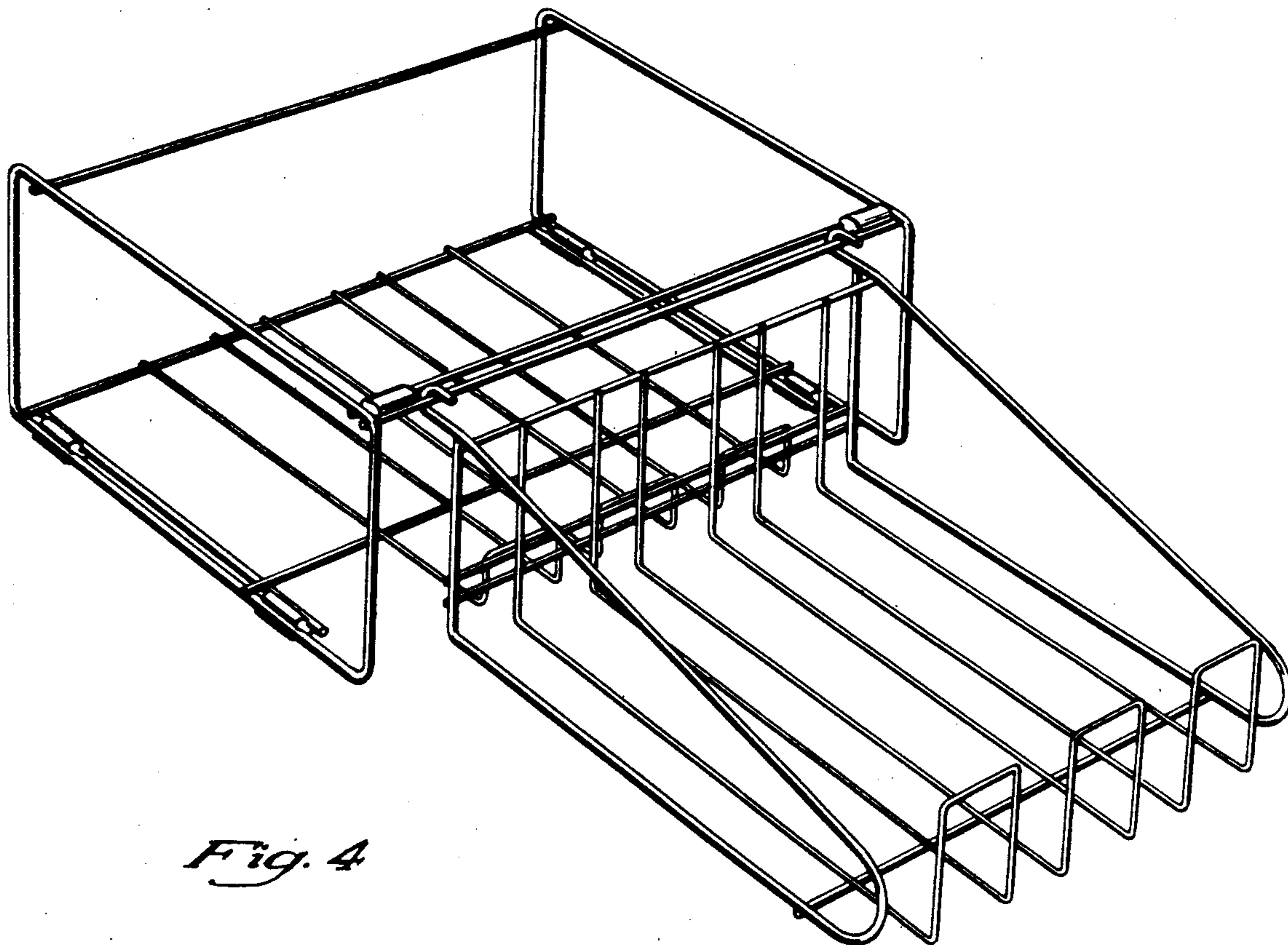
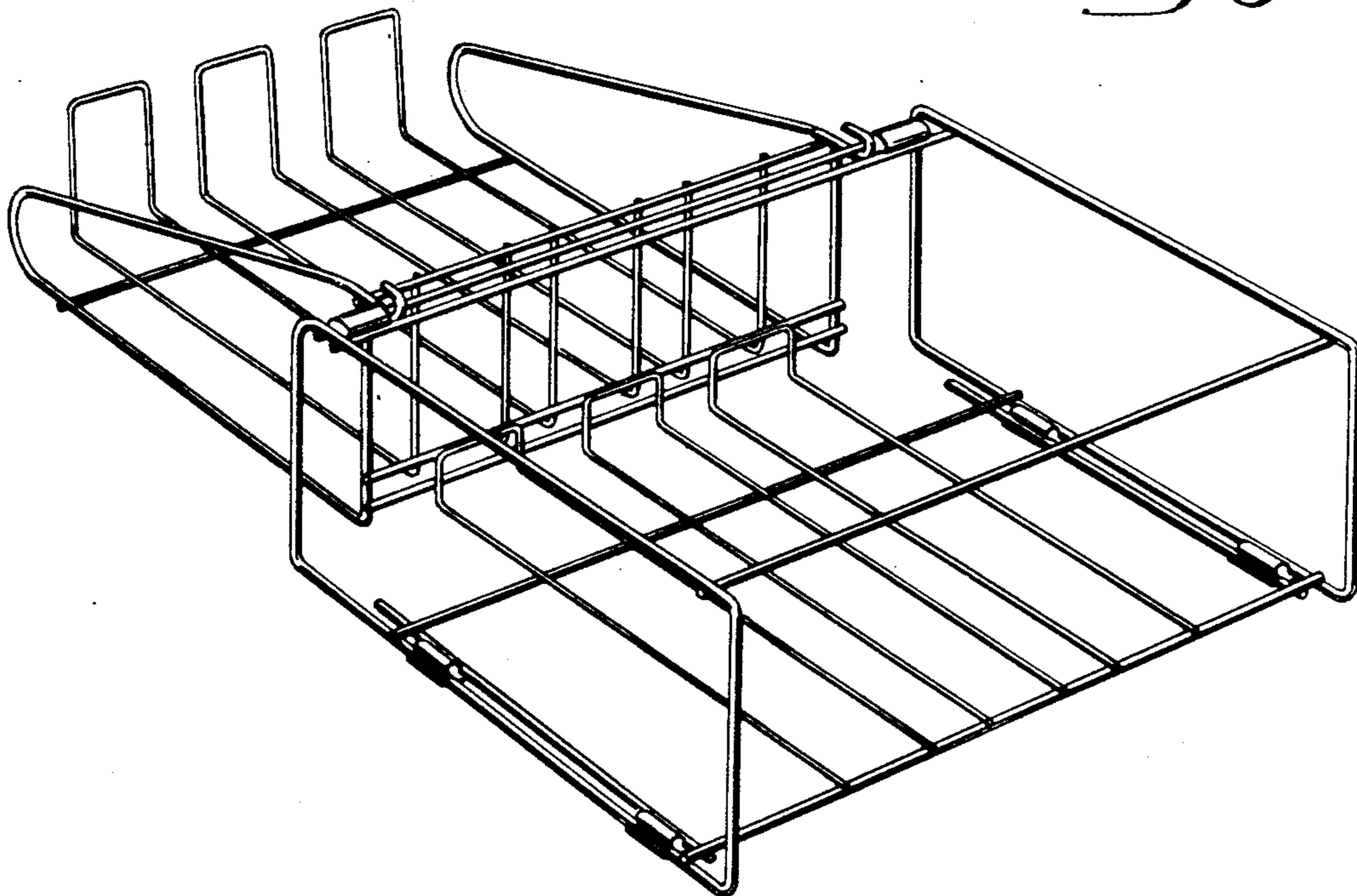


Fig. 4