

[54] **STEREO VIEWER**  
 [75] **Inventor: Jean-Pierre Vitrac, Paris, France**  
 [73] **Assignee: Stereoscopes Lestrade & Cie., Vic Bigorre, France**  
 [\*\*] **Term: 14 Years**  
 [21] **Appl. No.: 623,419**  
 [22] **Filed: Jun. 22, 1984**

2,872,844 2/1959 Van Tuyl ..... 350/140  
 4,235,514 11/1980 Carver ..... 350/133  
 4,253,732 3/1981 Carver ..... 350/140

**FOREIGN PATENT DOCUMENTS**

1547722 11/1968 France .

*Primary Examiner*—Louis S. Zarfaz  
*Attorney, Agent, or Firm*—D. Peter Hochberg

[57] **CLAIM**

The ornamental design for a stereo viewer, as shown and described.

**Related U.S. Application Data**

[63] Continuation-in-part of Ser. No. 482,910, Apr. 7, 1983, Pat. No. 4,549,785.  
 [52] **U.S. Cl.** ..... **D16/12**  
 [58] **Field of Search** ..... D16/11-15, D16/17, 18; 40/361-367; 350/130, 133, 135, 140, 250

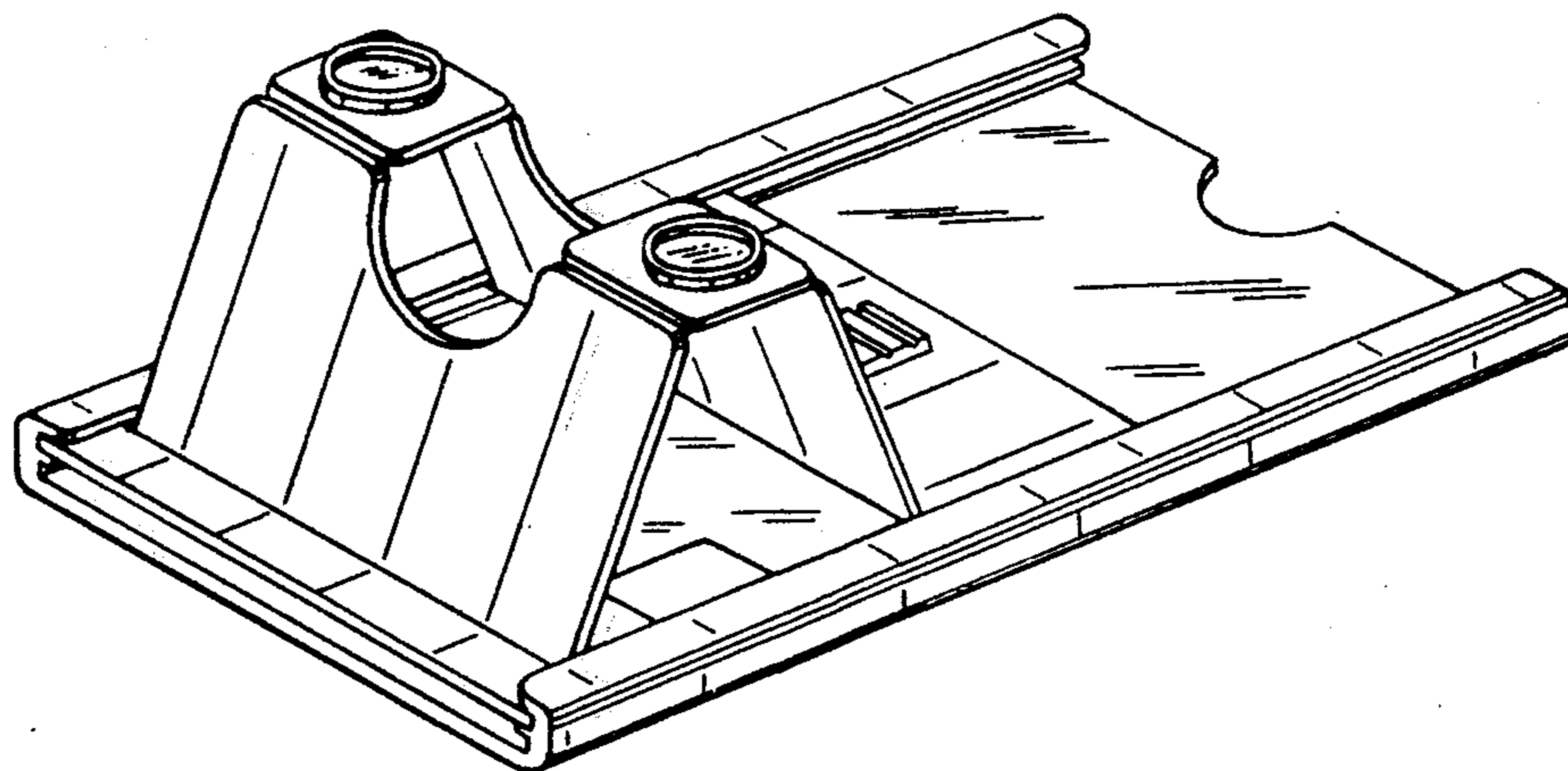
**DESCRIPTION**

FIG. 1 is a perspective view of a stereo viewer showing my new design in its operative position;  
 FIG. 2 is a front elevational view of the stereo viewer in its retracted position; and  
 FIG. 3 is a bottom plan view of the stereo viewer;  
 FIG. 4 is a side elevational view of the stereo viewer in its retracted position;  
 FIG. 5 is a rear elevational view of the stereo viewer; and  
 FIG. 6 is a bottom end view of the stereo viewer in its retracted position.

[56] **References Cited**

**U.S. PATENT DOCUMENTS**

D. 171,480 2/1954 Beck ..... D16/12  
 D. 189,006 10/1960 Golden ..... D16/12  
 D. 249,796 10/1978 Curtin ..... D16/12



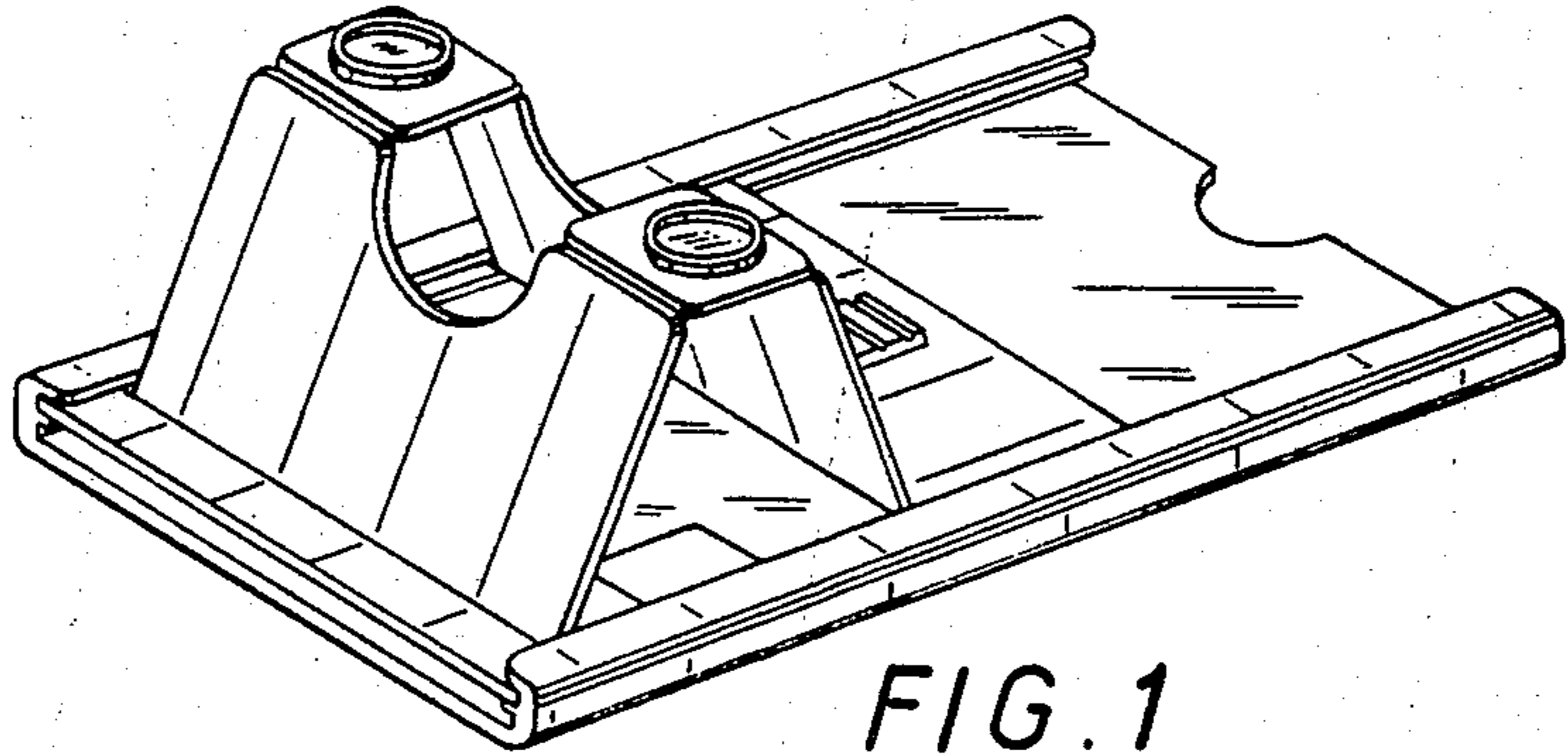


FIG. 1

FIG. 5

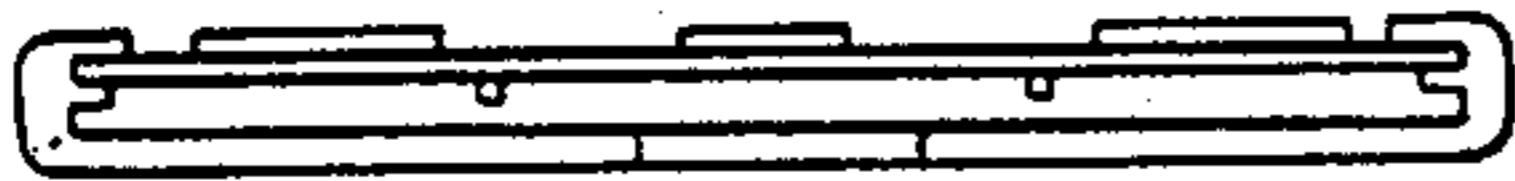


FIG. 2

FIG. 3

FIG. 4

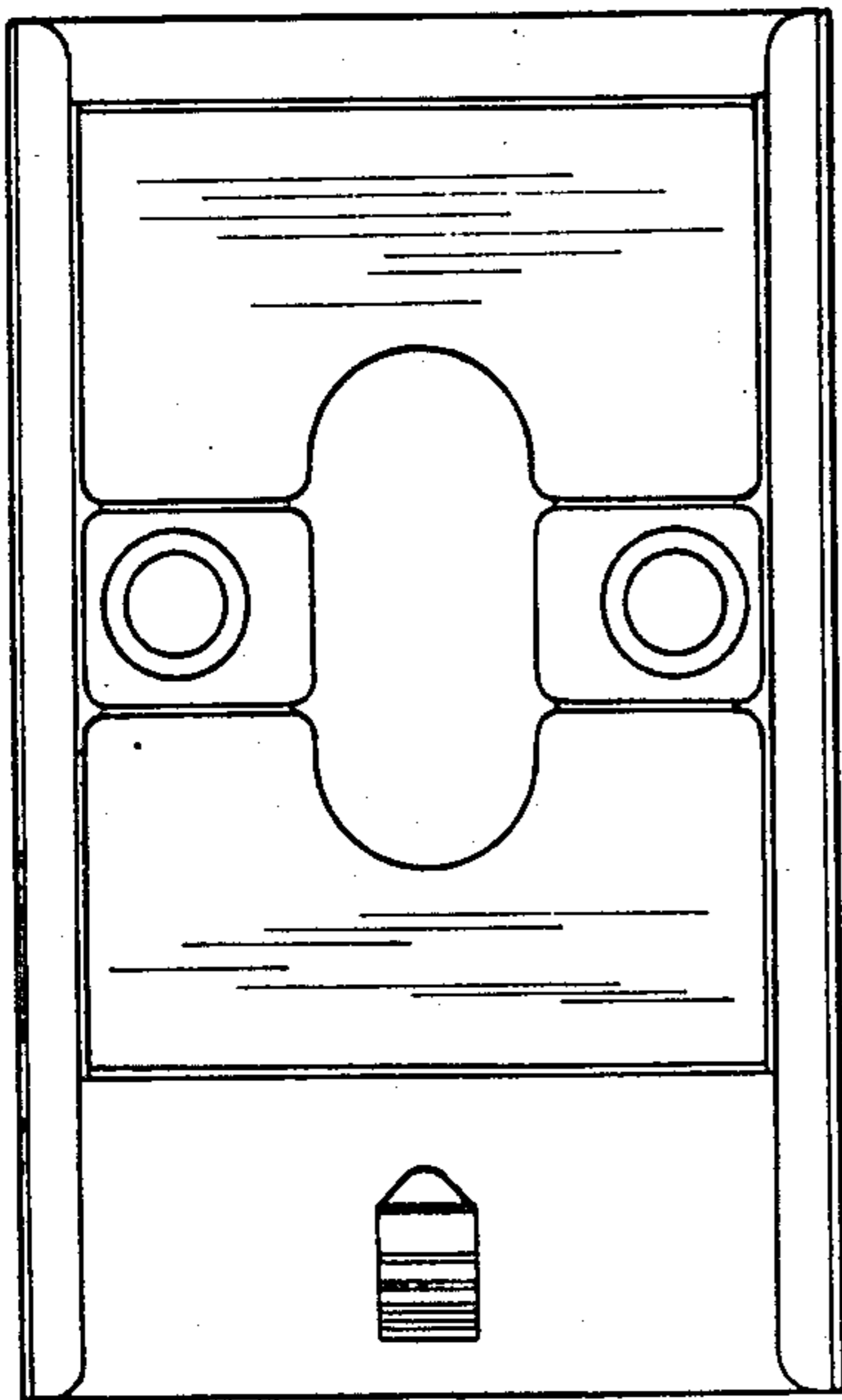


FIG. 6

