

[54] **SPECIMEN GRIP**

[75] **Inventor:** John A. Christiansen, Minneapolis, Minn.

[73] **Assignee:** MTS Systems Corporation, Eden Prairie, Minn.

[**] **Term:** 14 Years

[21] **Appl. No.:** 585,355

[22] **Filed:** Mar. 1, 1984

[52] **U.S. Cl. D15/140**

[58] **Field of Search D15/138, 140; 73/103, 73/857; 279/35**

[56] **References Cited**

U.S. PATENT DOCUMENTS

1,291,421	1/1919	Coulter	279/35
3,224,259	1/1962	De Nicola	73/103
3,320,798	5/1967	Gram	73/103
3,335,603	8/1967	Gram	73/857
3,335,603	8/1967	Gram	73/103
3,498,121	3/1970	Engelbrecht et al.	73/103
3,975,867	8/1976	Dotson	279/35
4,537,080	8/1985	Christiansen	73/857

FOREIGN PATENT DOCUMENTS

2028038 6/1970 Fed. Rep. of Germany .

OTHER PUBLICATIONS

MTS Product Specification Sheet, Series 642.1X Flat Plate Grips.

MTS Product Specification Sheet, Models 644.35 and 644.36 Cast Metal Grips.

MTD Product Specification Sheet, Series 642.1X Flat Plate Grips.

MTS Product Specification Sheet, Models 644.35 and 644.36 Cast Metal Grips.

MTS Product Specification Sheet, Series 645 Tension Grips.

MTS Product Specification Sheet, Serial 640.1X Clevis Pin Grips.

Primary Examiner—B. J. Bullock

Attorney, Agent, or Firm—Kinney & Lange

[57] **CLAIM**

The ornamental design for a specimen grip, substantially as shown.

DESCRIPTION

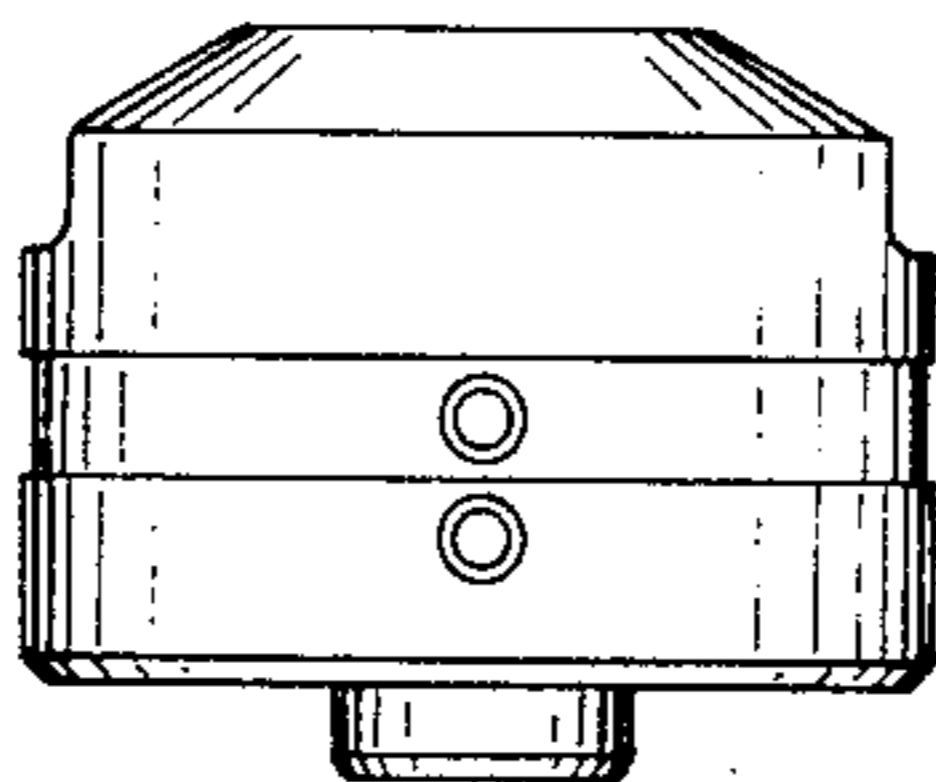
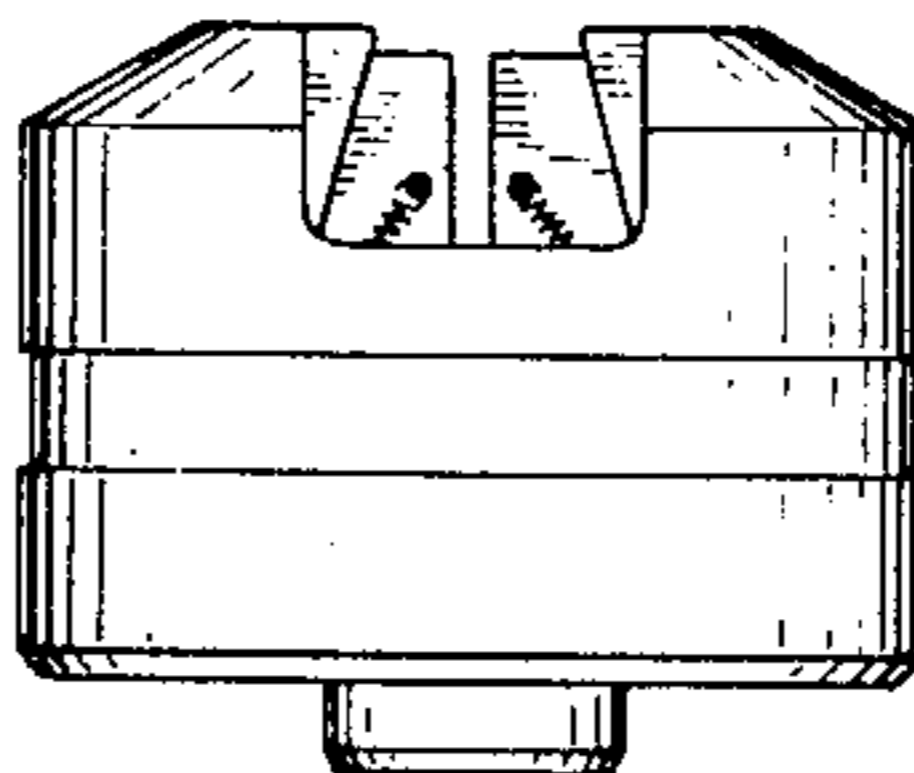
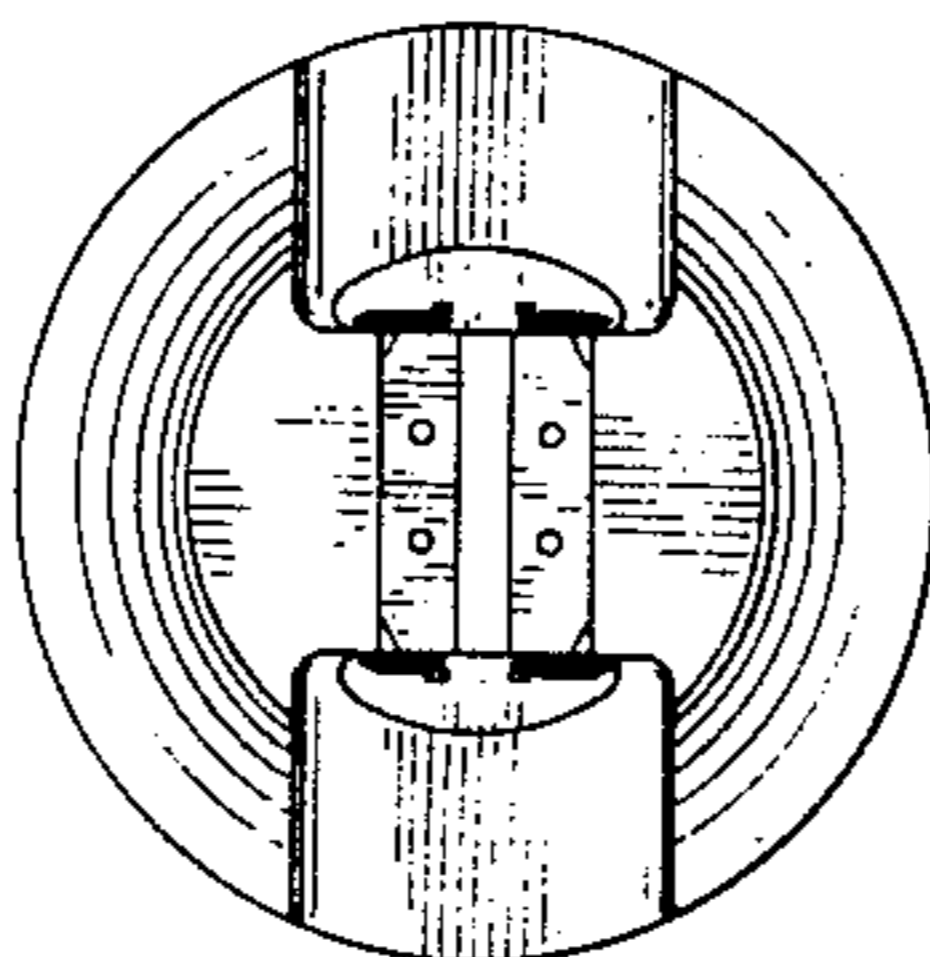
FIG. 1 is a top plan view of a specimen grip showing my new design;

FIG. 2 is a front elevational view thereof;

FIG. 3 is a side elevational view thereof;

FIG. 4 is a side elevational view opposite that seen in FIG. 3; and

FIG. 5 is a bottom plan view thereof.



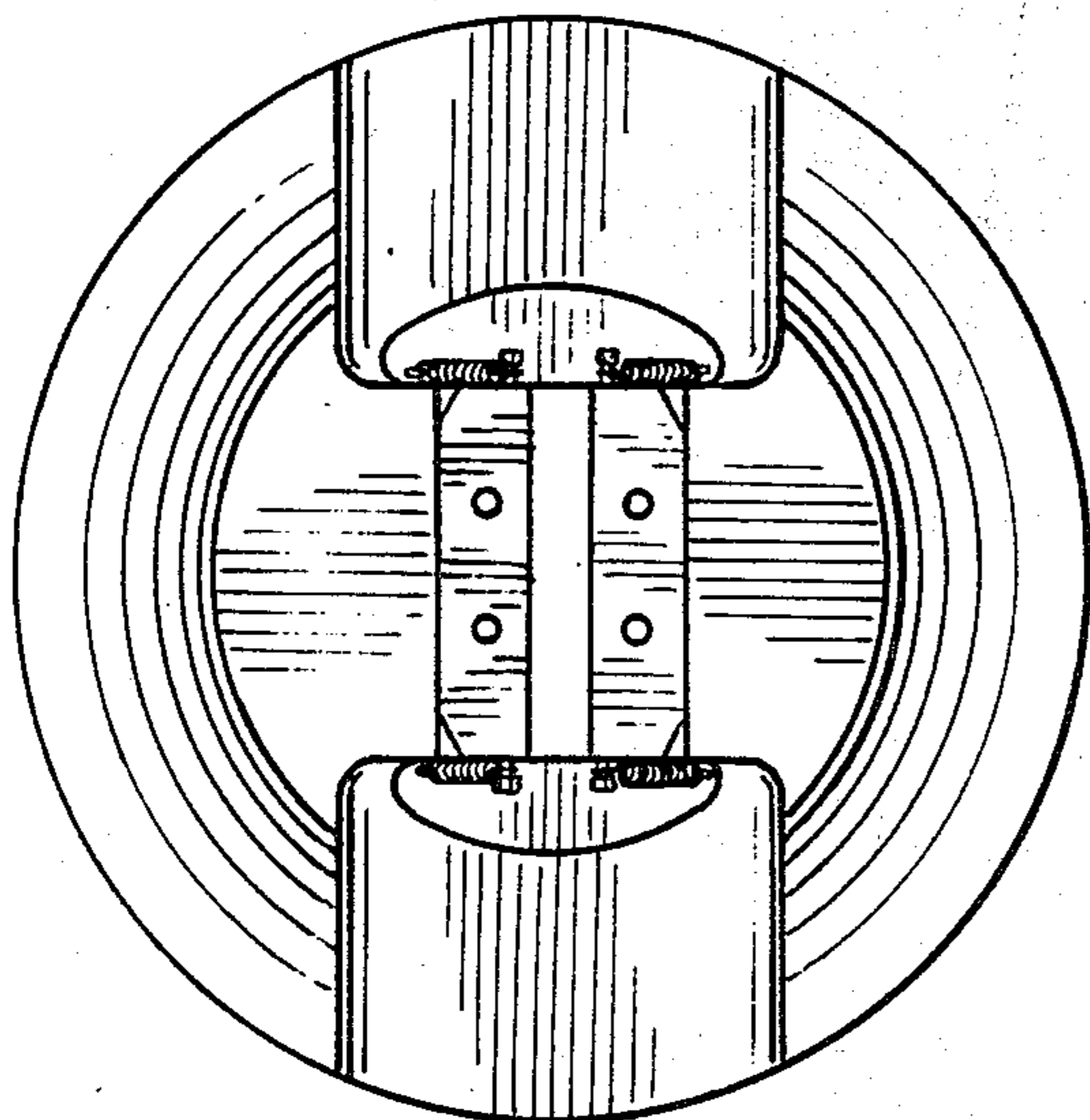


FIG. 1

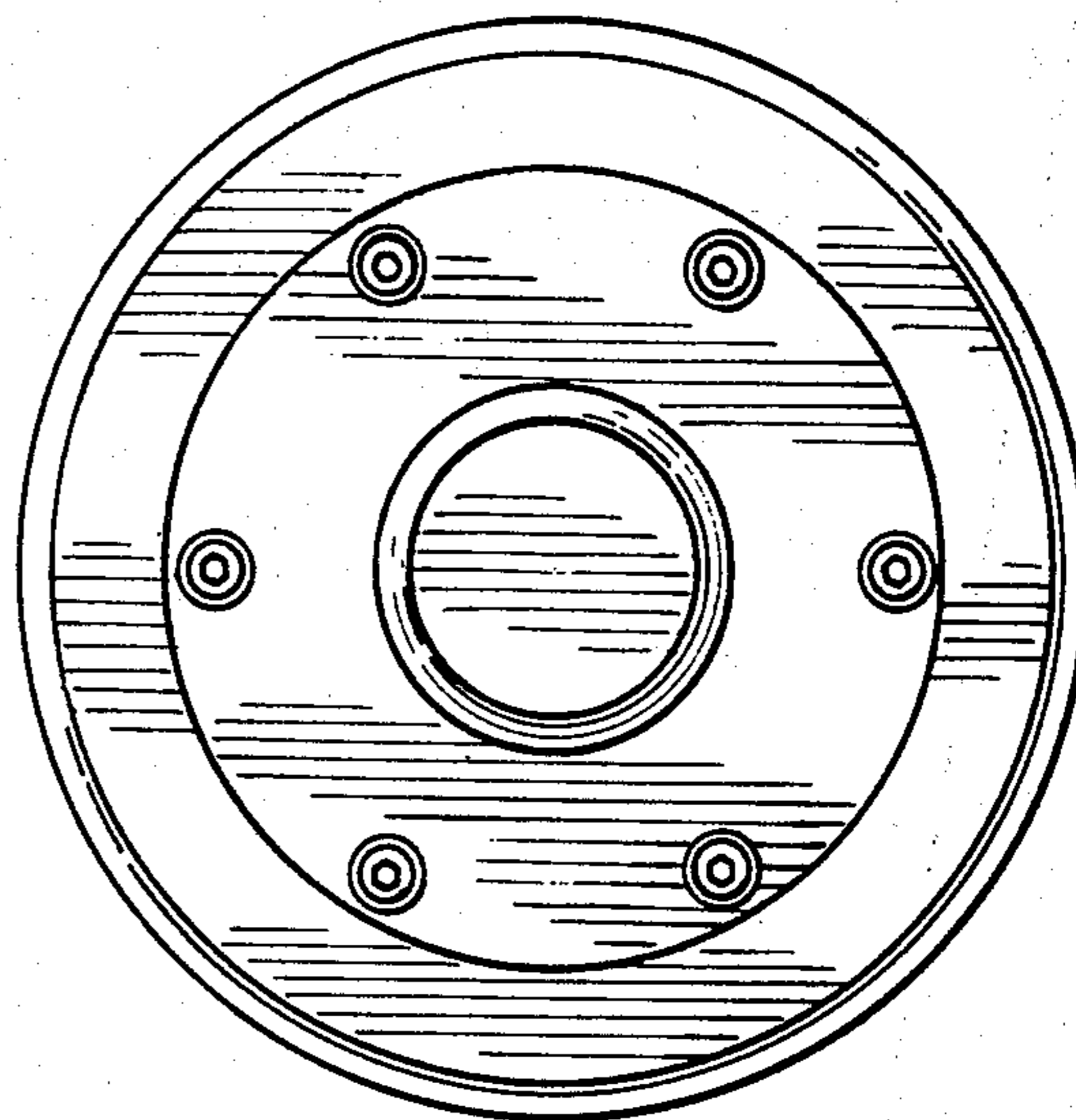


FIG. 5

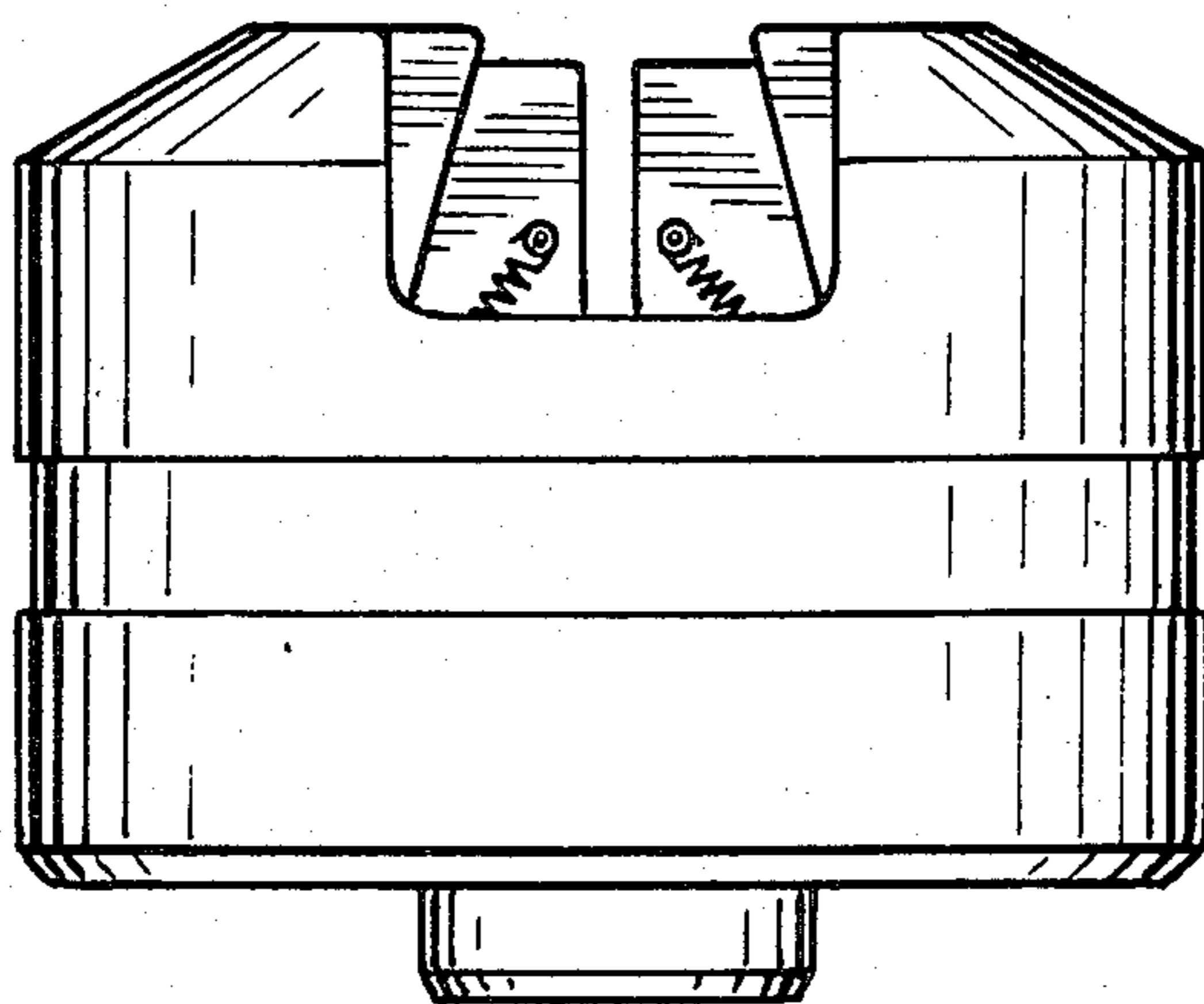


FIG. 2

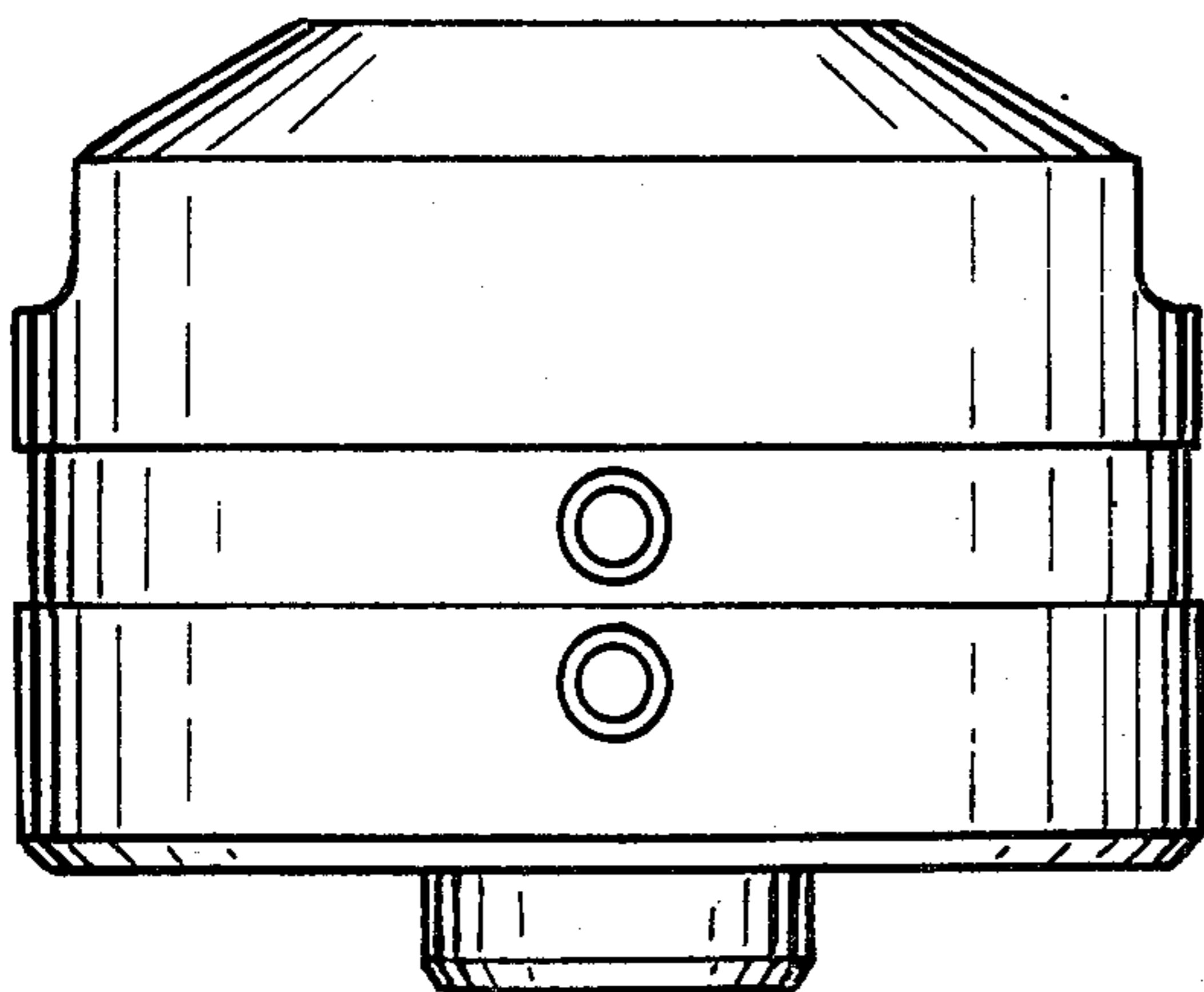


FIG. 3

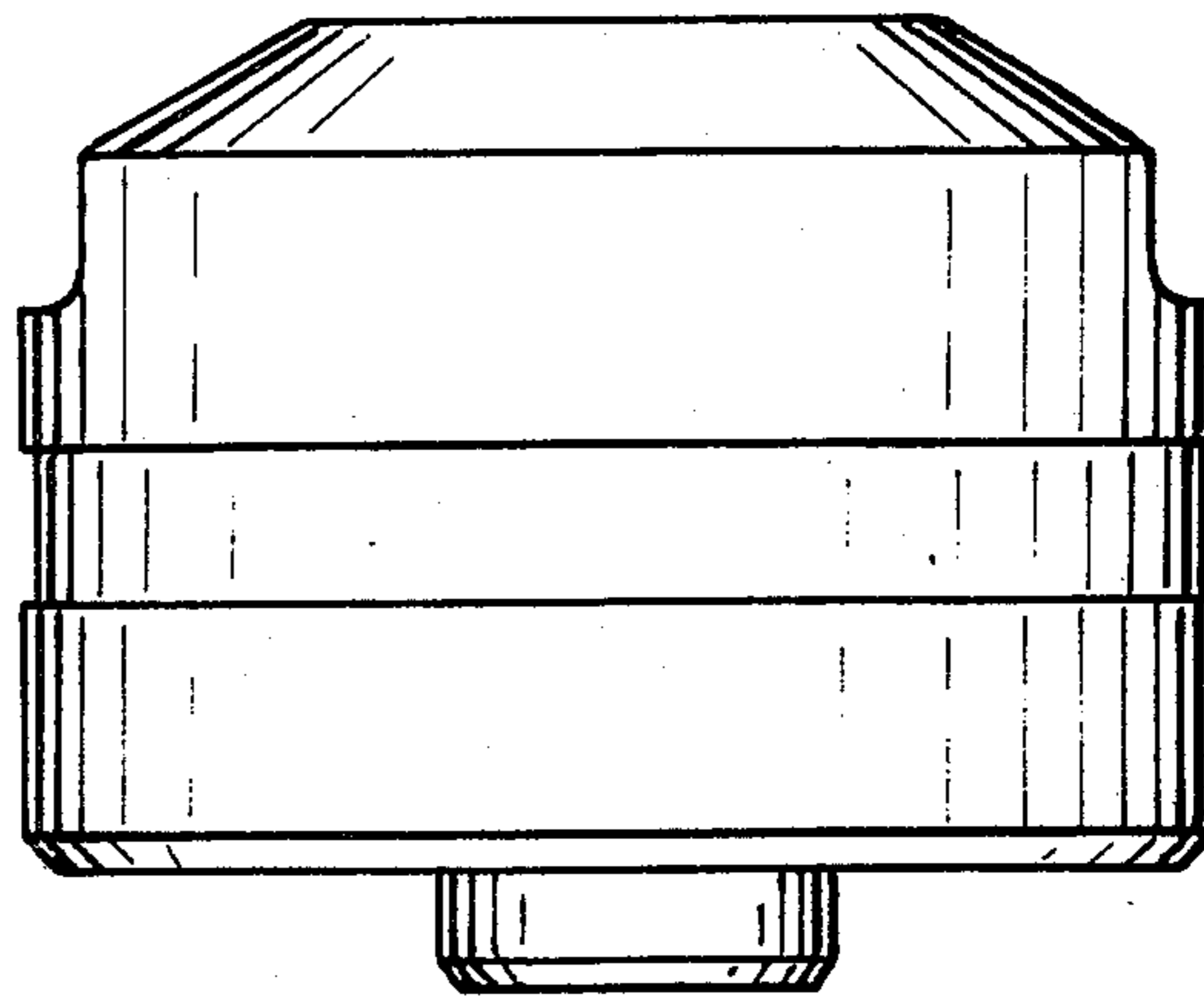


FIG. 4