

[54] **SEWING MACHINE**

[75] **Inventor: Ichirou Shibayama, Hyogo, Japan**

[73] **Assignee: Maruzen Sewing Machine Co., Ltd., Moriguchi, Japan**

[\*\*] **Term: 14 Years**

[21] **Appl. No.: 686,585**

[22] **Filed: Dec. 26, 1984**

[30] **Foreign Application Priority Data**

Jul. 3, 1984 [JP] Japan ..... 59-027604

[52] **U.S. Cl. .... D15/68; D15/69**

[58] **Field of Search .... D15/68-70; 112/63, 258-261**

[56] **References Cited**

**U.S. PATENT DOCUMENTS**

D. 253,705	12/1979	Felix et al. ....	D15/69
D. 266,519	10/1982	Genaro et al. ....	D15/68
D. 280,826	10/1985	Kuroki ....	D15/69
3,570,431	3/1971	Fresard ....	112/258
3,744,443	7/1973	Current ....	112/258
4,077,339	3/1978	Bass et al. ....	112/258 X

4,080,913 3/1978 Arendash et al. .... 112/258

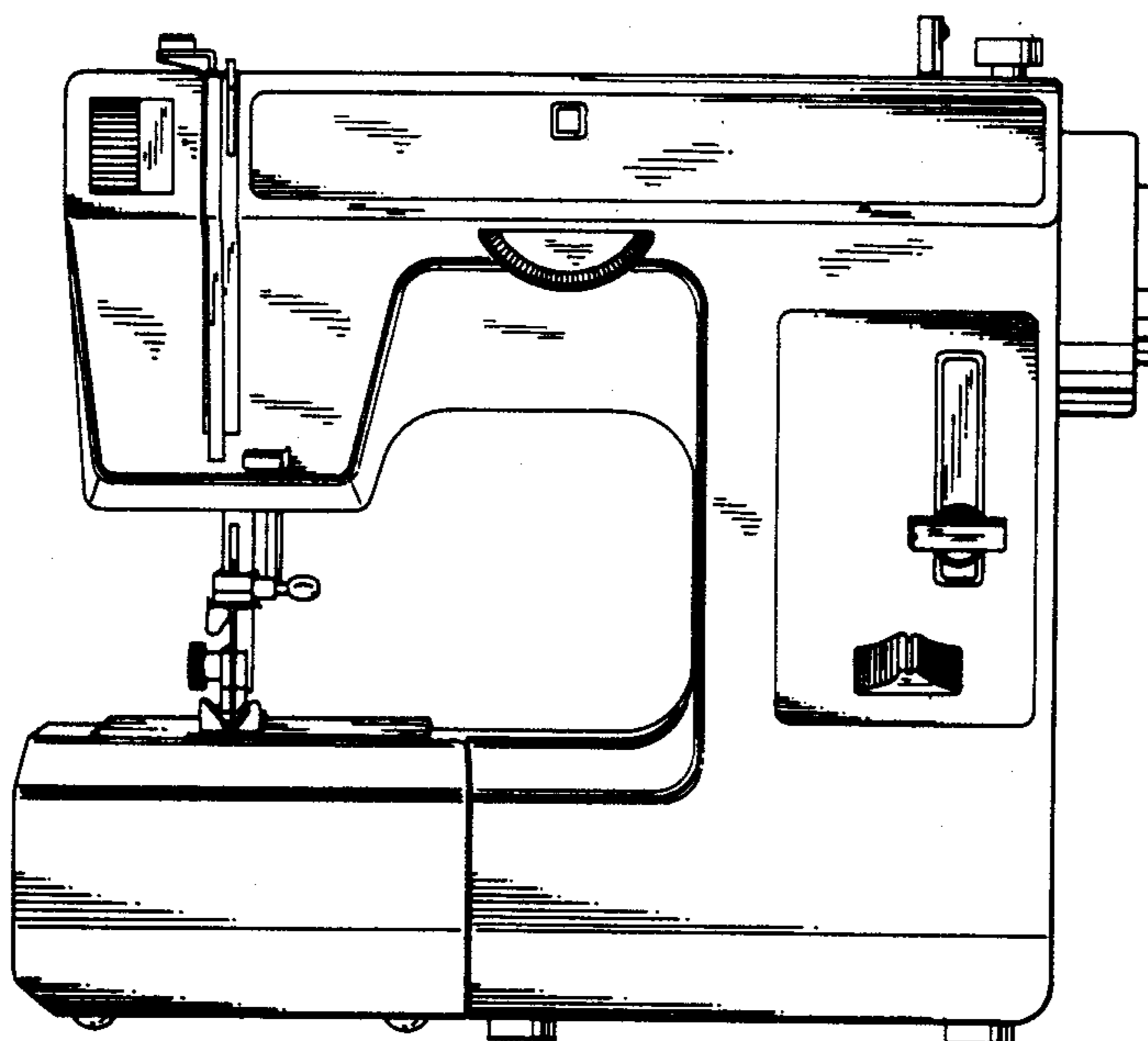
*Primary Examiner*—Bernard Ansher  
*Assistant Examiner*—Linda Titolo  
*Attorney, Agent, or Firm*—Lowe Price LeBlanc Becker & Shur

[57] **CLAIM**

The ornamental design for a sewing machine, as shown and described.

**DESCRIPTION**

FIG. 1 is a top plan view of a sewing machine, showing my new design;  
FIG. 2 is a front elevational view thereof;  
FIG. 3 is a bottom plan view thereof;  
FIG. 4 is a rear elevational view thereof;  
FIG. 5 is a left side elevational view thereof;  
FIG. 6 is a right side elevational view thereof;  
FIG. 7 is a top front perspective view thereof; and  
FIG. 8 is an exploded top front perspective view thereof.  
The bottom plan, rear elevational and right side elevational views of the member shown detached from the base of the sewing machine in FIG. 8 are plain and unornamented.



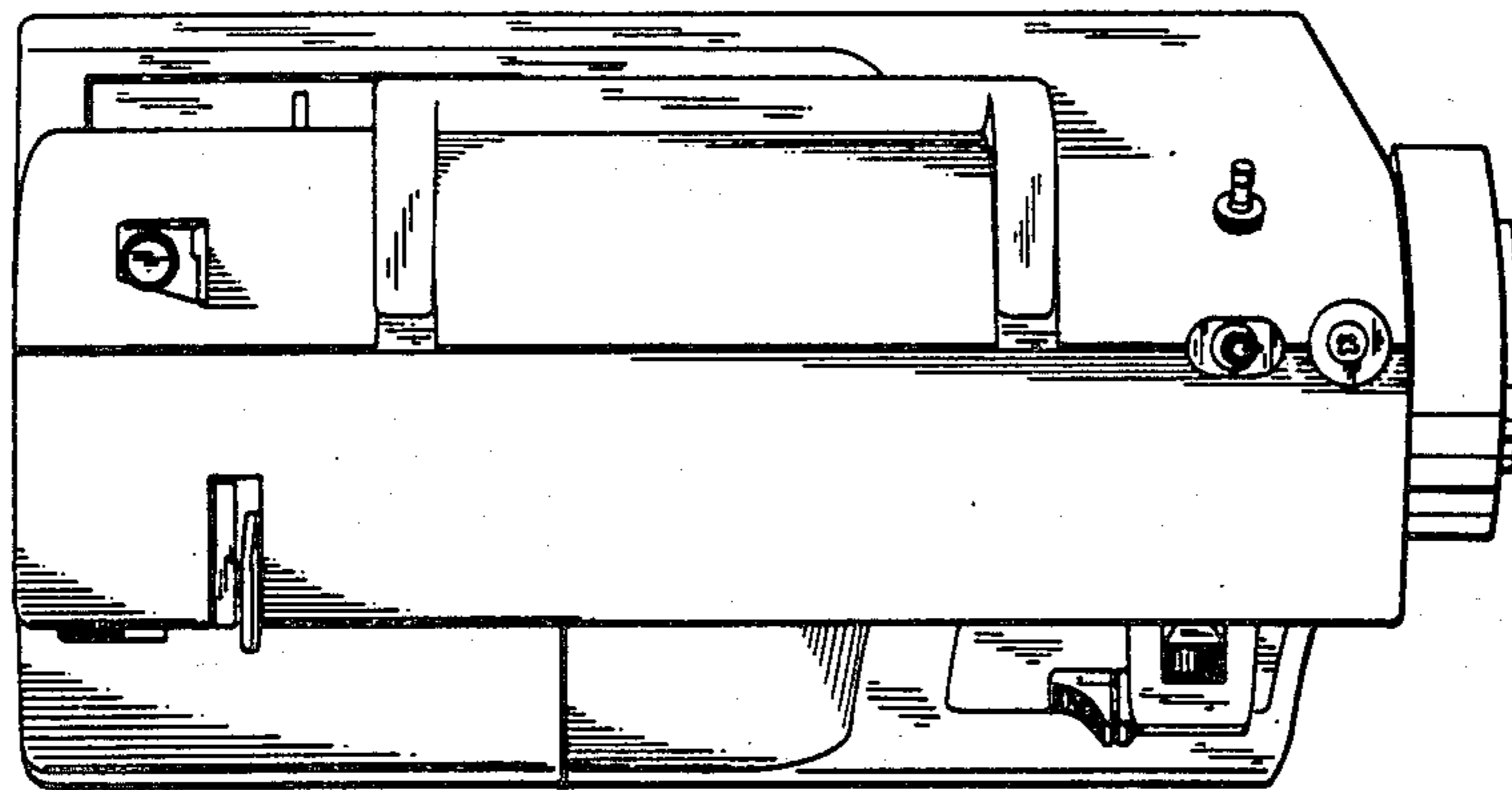


Fig. 1

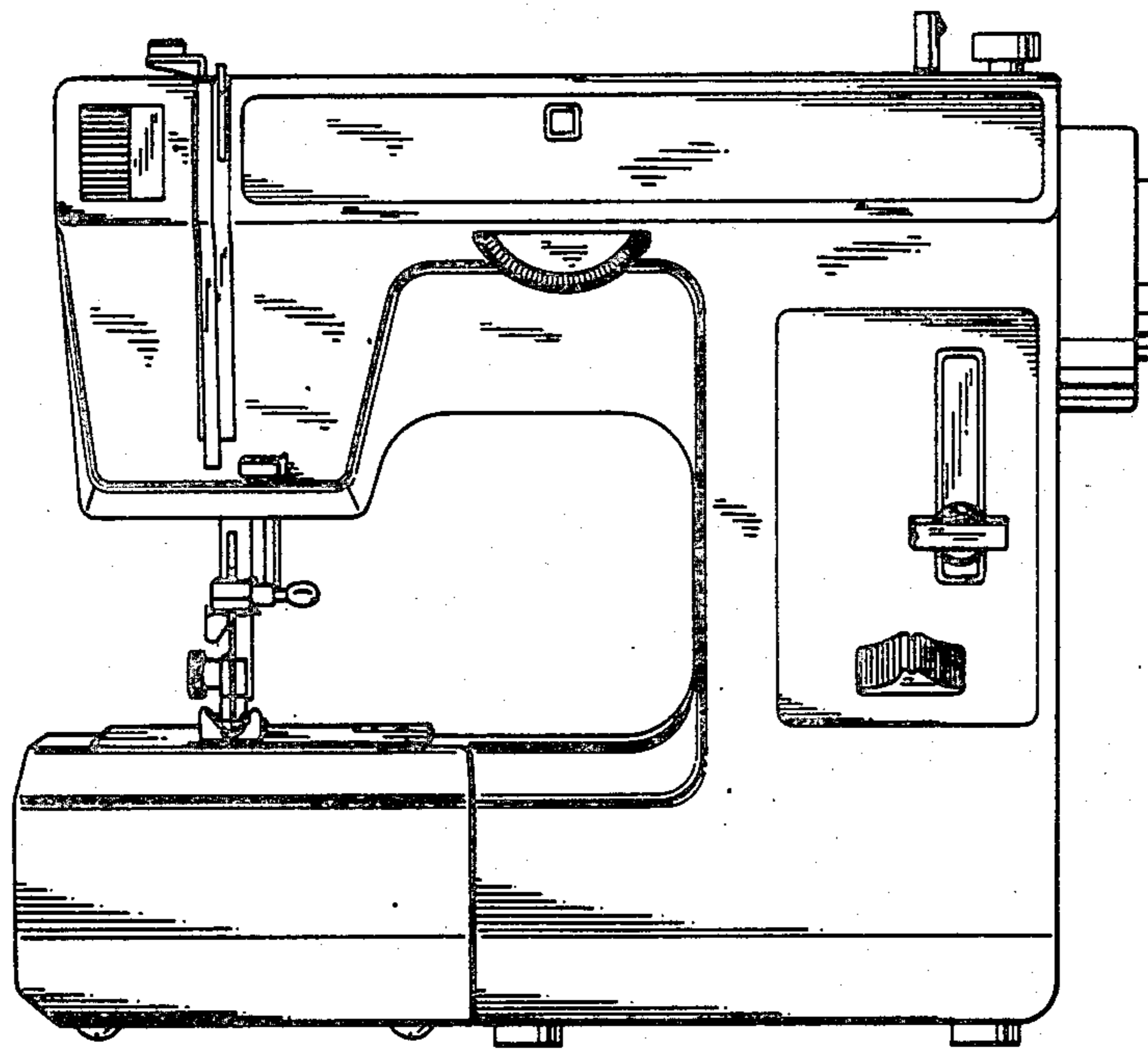


Fig. 2

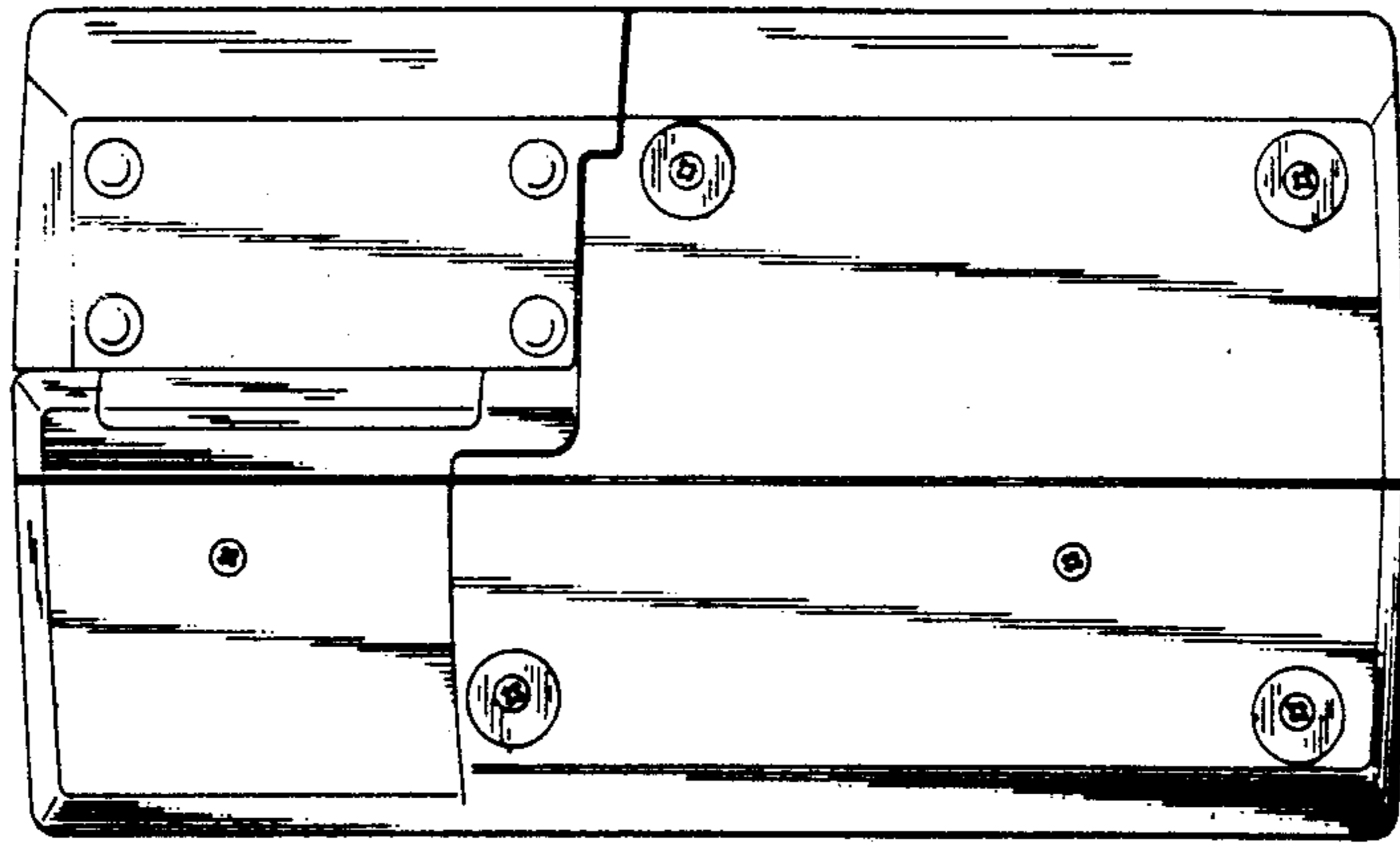


Fig.3

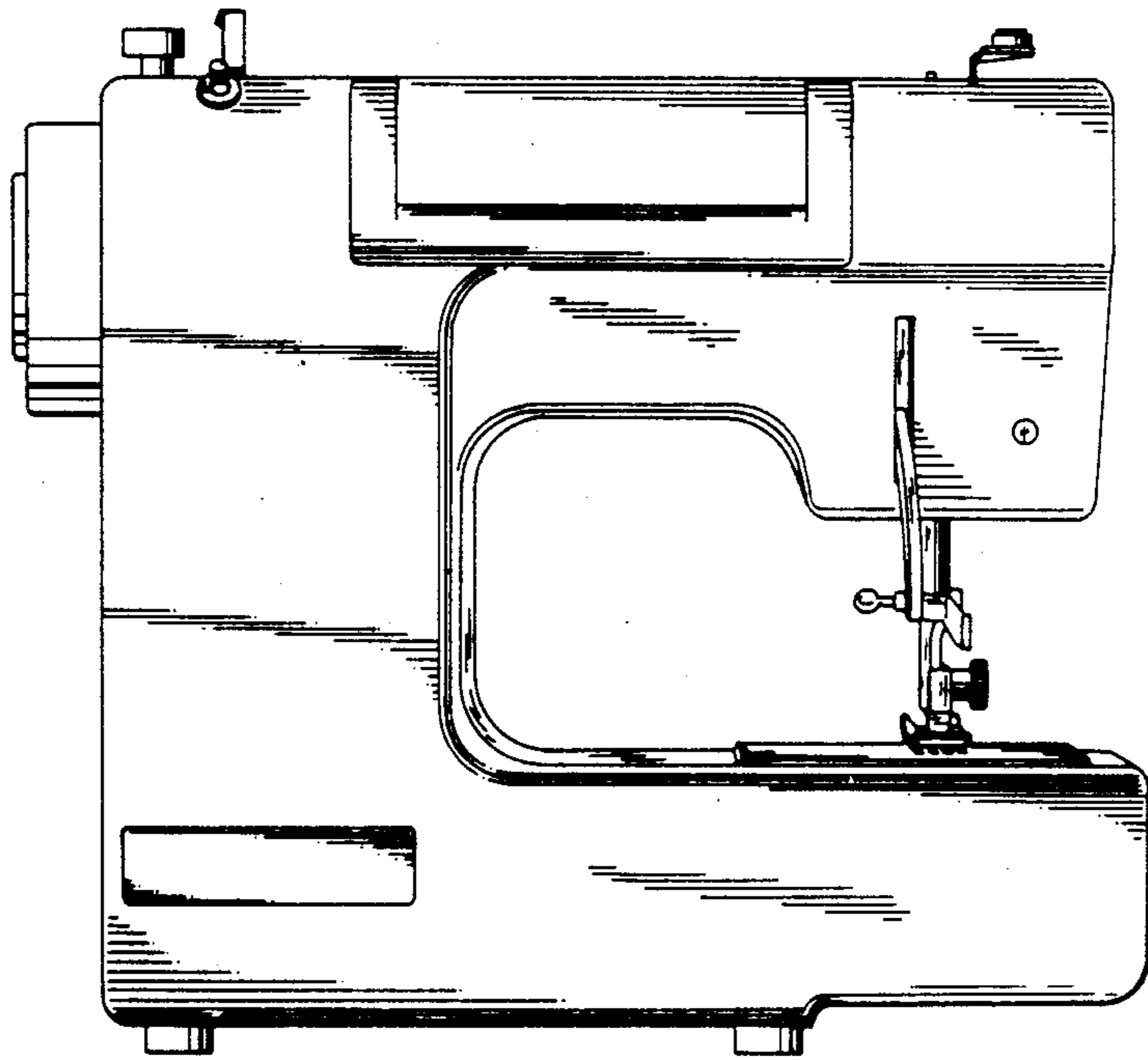


Fig.4

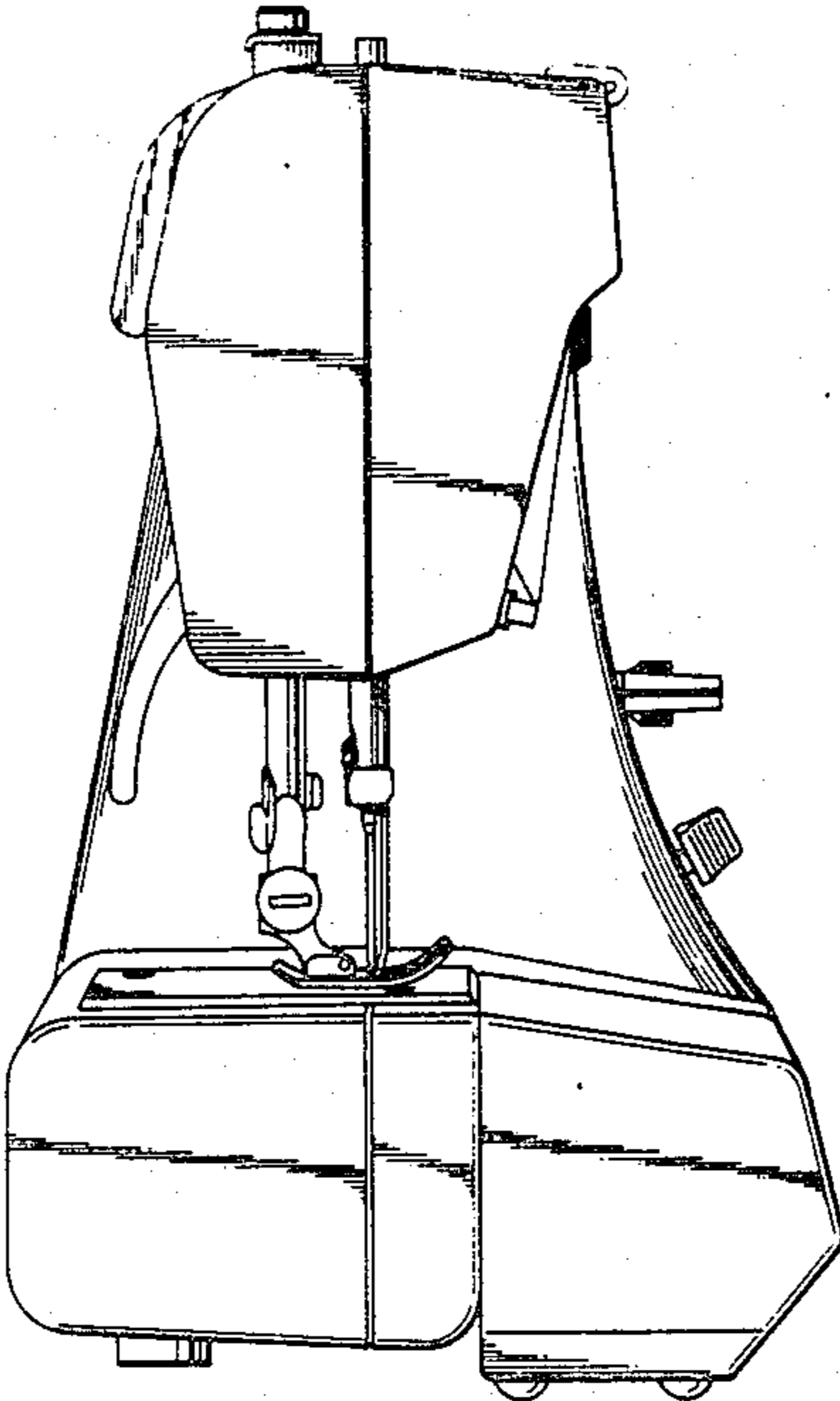


Fig.5

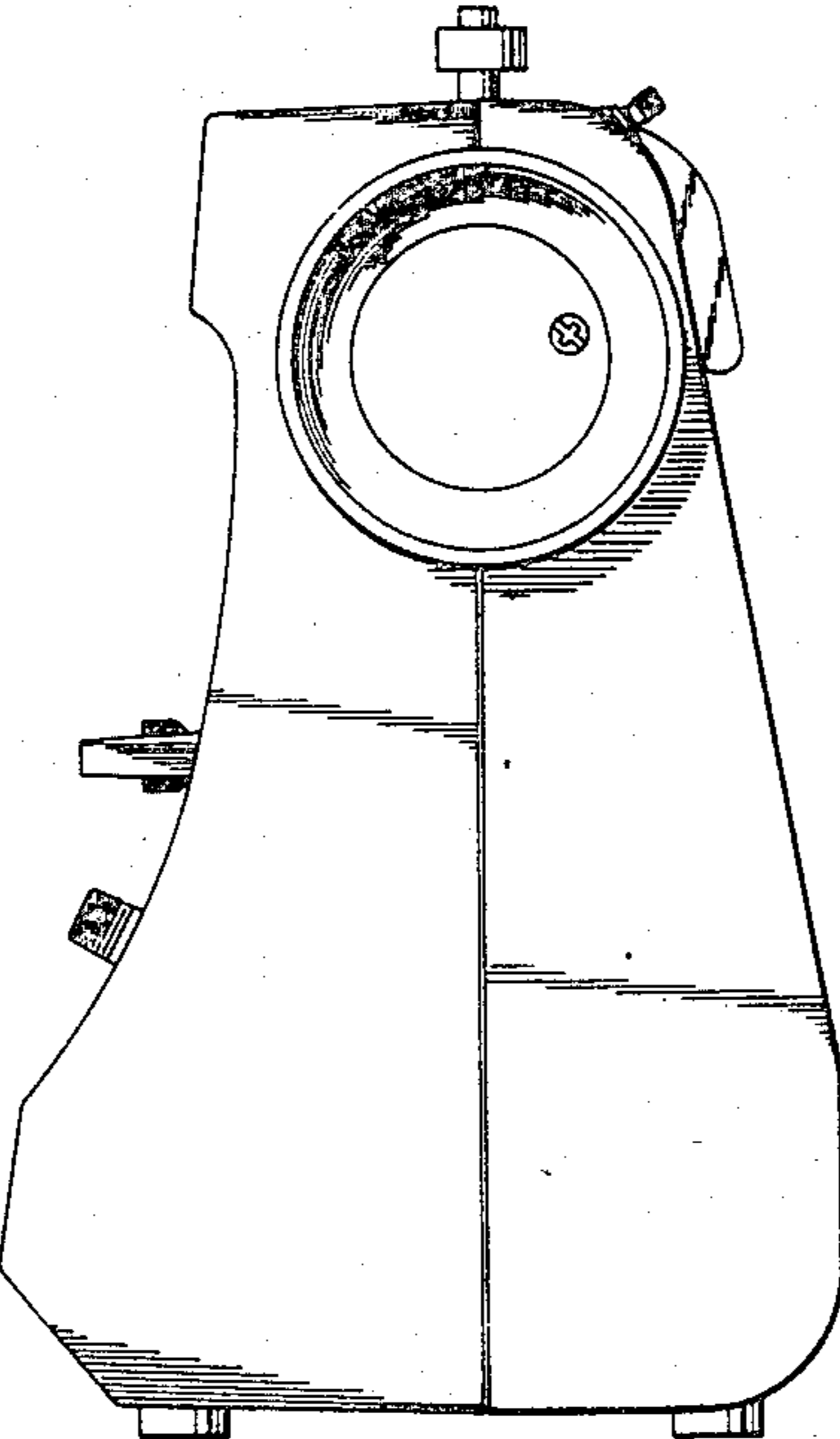


Fig.6

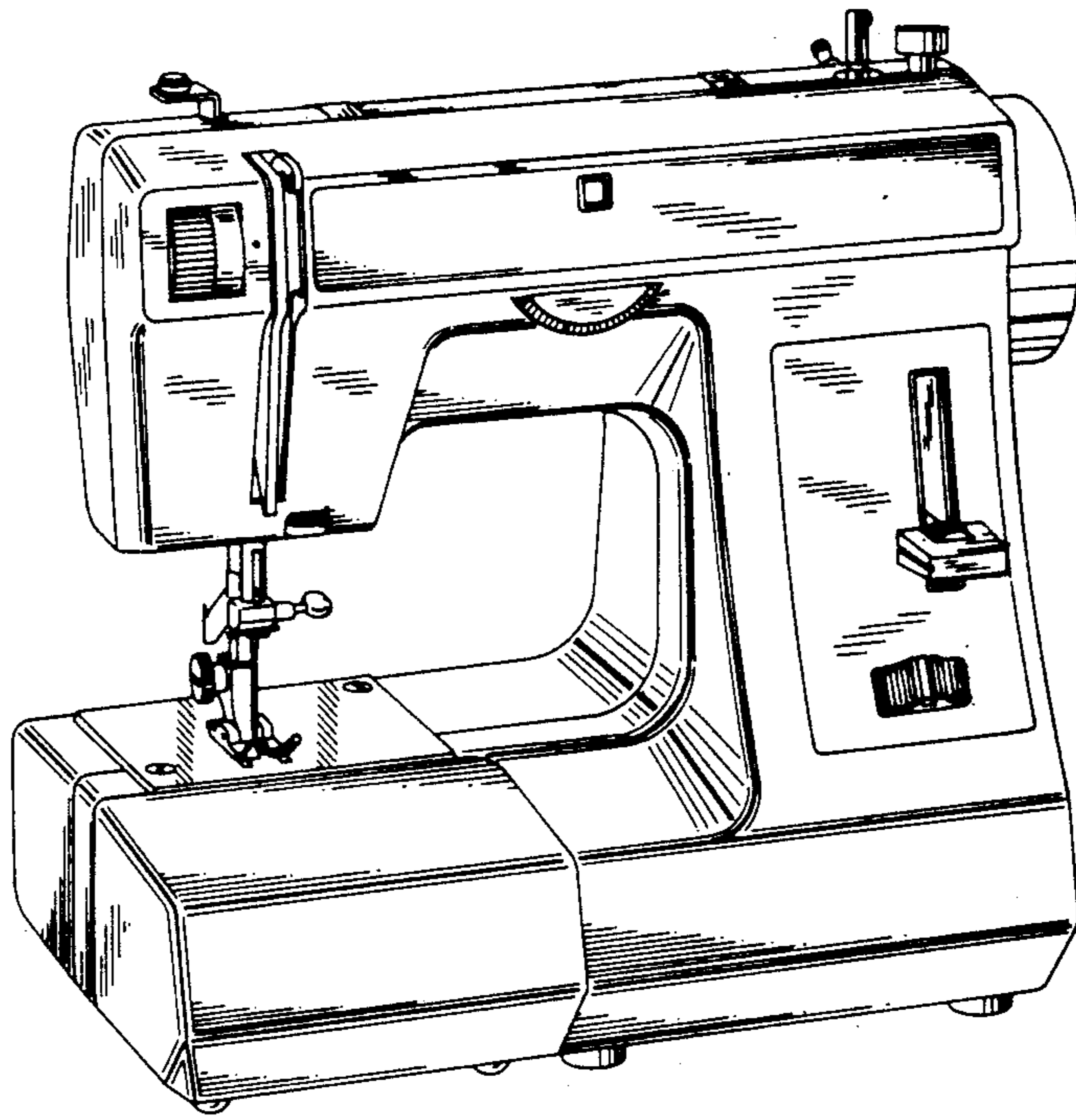


Fig. 7

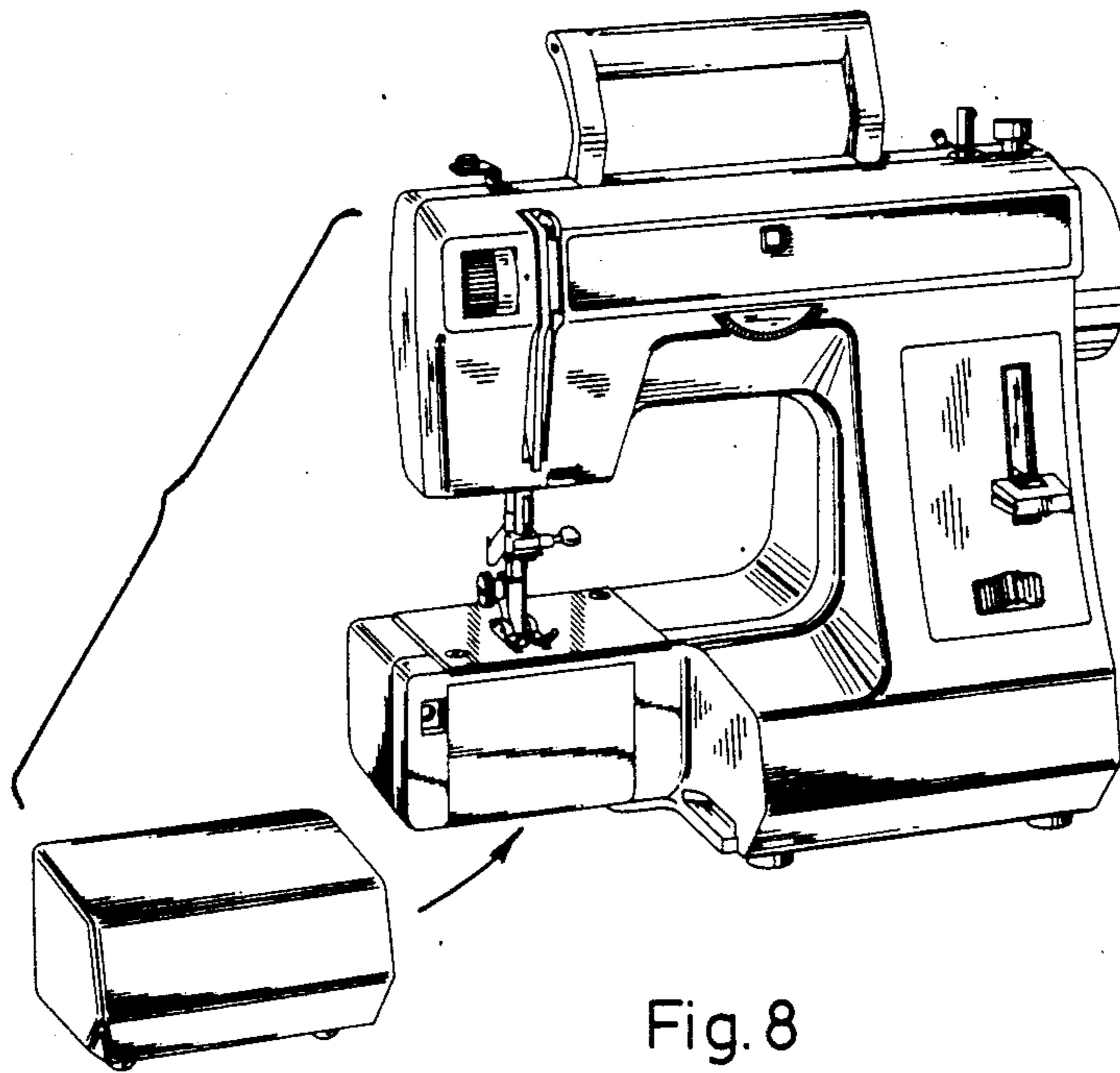


Fig. 8