

[54] MICRO FLOPPY DISK DRIVE

[75] Inventor: Yutaka Ohtsu, Yokosuka, Japan

[73] Assignee: Citizen Watch Co., Ltd., Tokyo, Japan

[**] Term: 14 Years

[21] Appl. No.: 656,987

[22] Filed: Oct. 2, 1984

[30] Foreign Application Priority Data

May 11, 1984 [JP] Japan 59-20444

[52] U.S. Cl. D14/109

[58] Field of Search D14/100, 102, 106, 107, D14/109, 114; 360/97, 98, 99, 133, 60

[56] References Cited

FOREIGN PATENT DOCUMENTS

1441140 6/1976 United Kingdom 360/60

Primary Examiner—Susan J. Lucas

Attorney, Agent, or Firm—Cushman, Darby & Cushman

[57] CLAIM

The ornamental design for a micro floppy disk drive, as shown and described.

DESCRIPTION

FIG. 1 is a top, front and right side perspective view of a micro floppy disk drive showing my new design, FIG. 2 is a bottom, rear and right side perspective view thereof,

FIG. 3 is a top plan view thereof,

FIG. 4 is a left side elevational view thereof, and

FIG. 5 is a top, front and right side perspective view thereof, the disk drive door being in the open position and the floppy disk being shown in broken lines for illustrative purposes only.

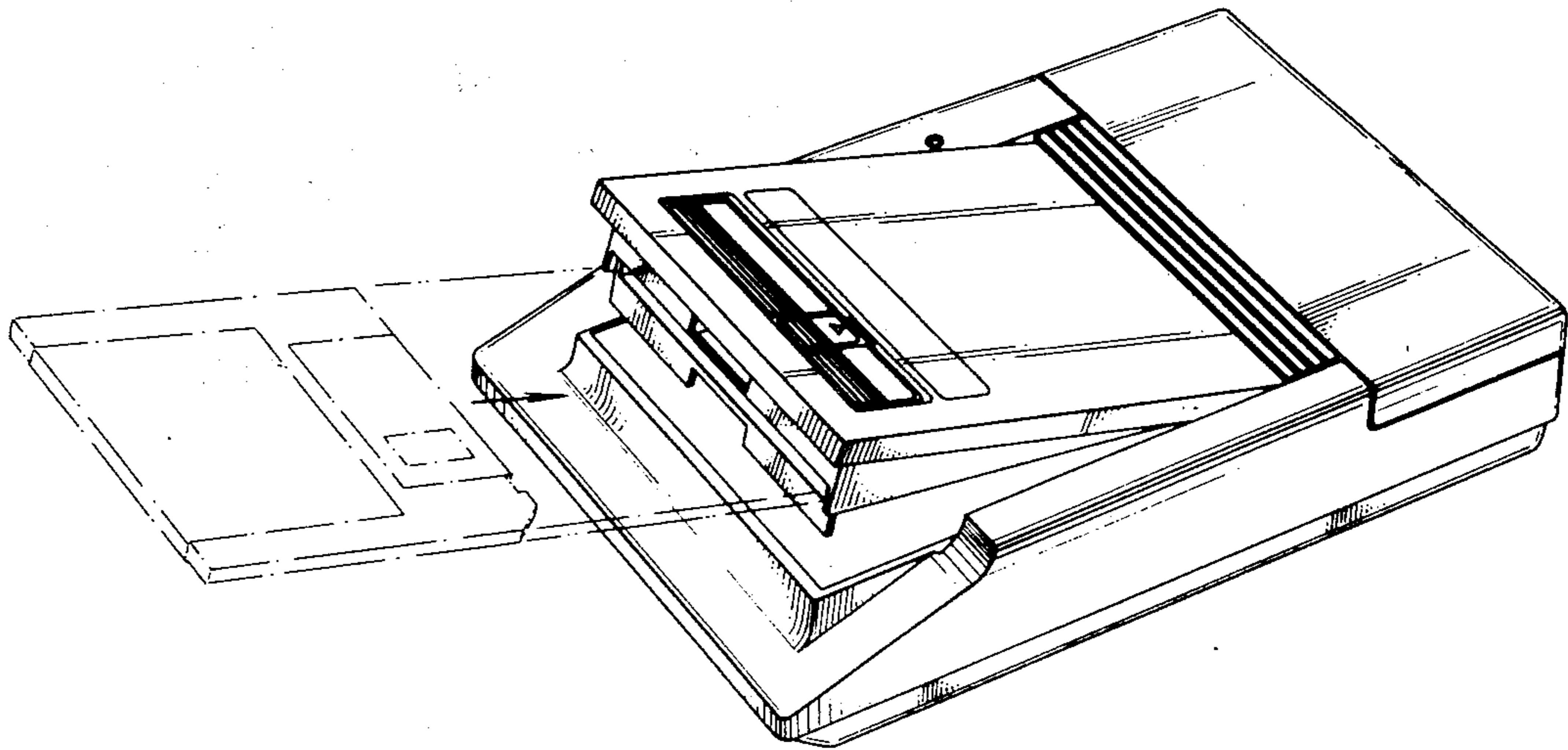


FIG. 1

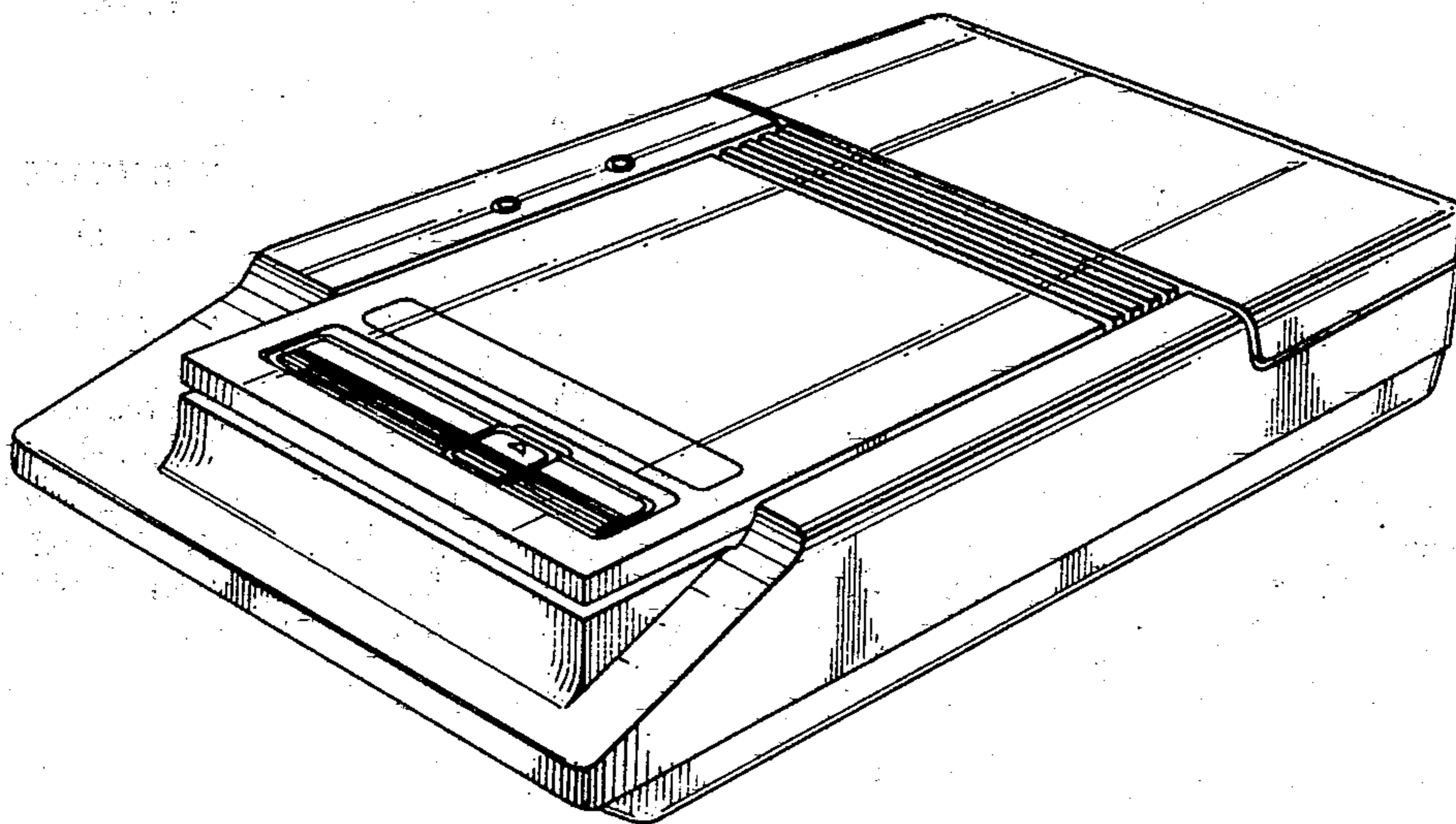


FIG. 2

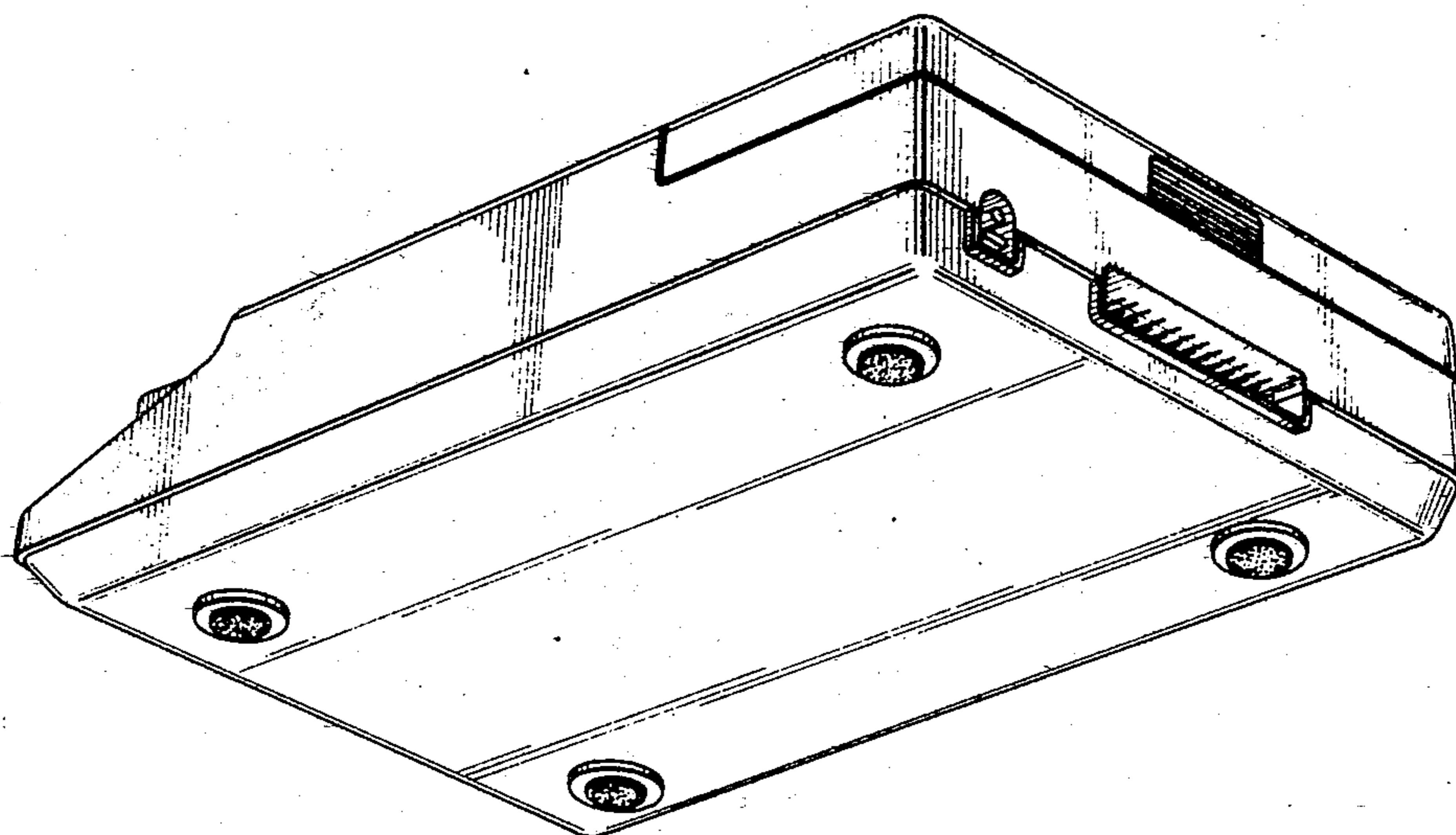


FIG.3

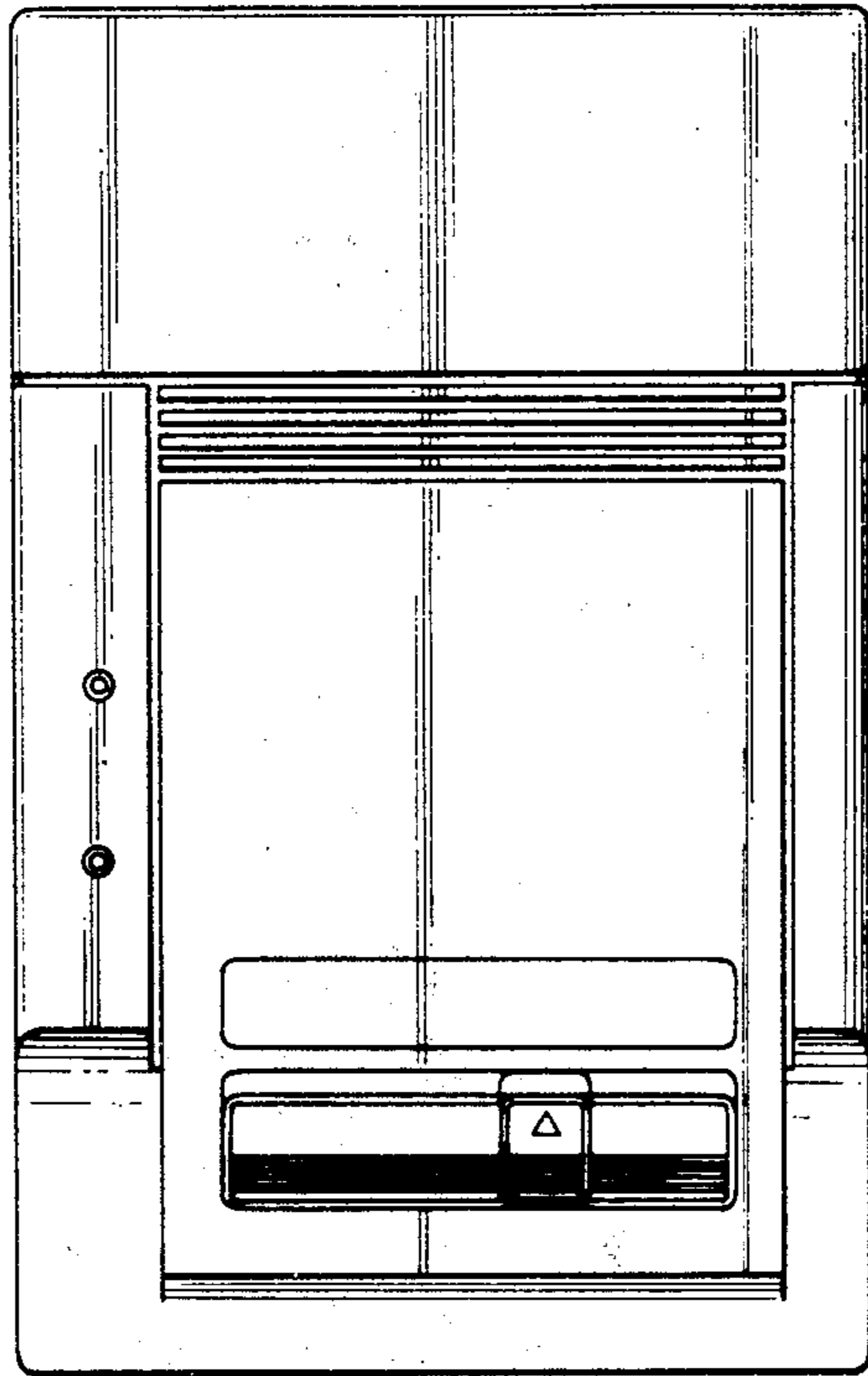
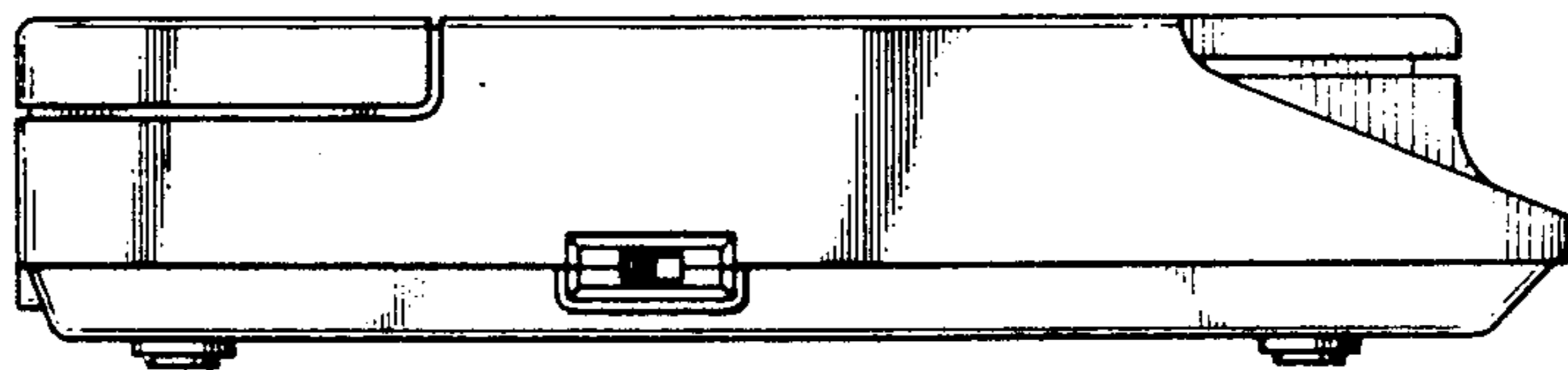


FIG.4



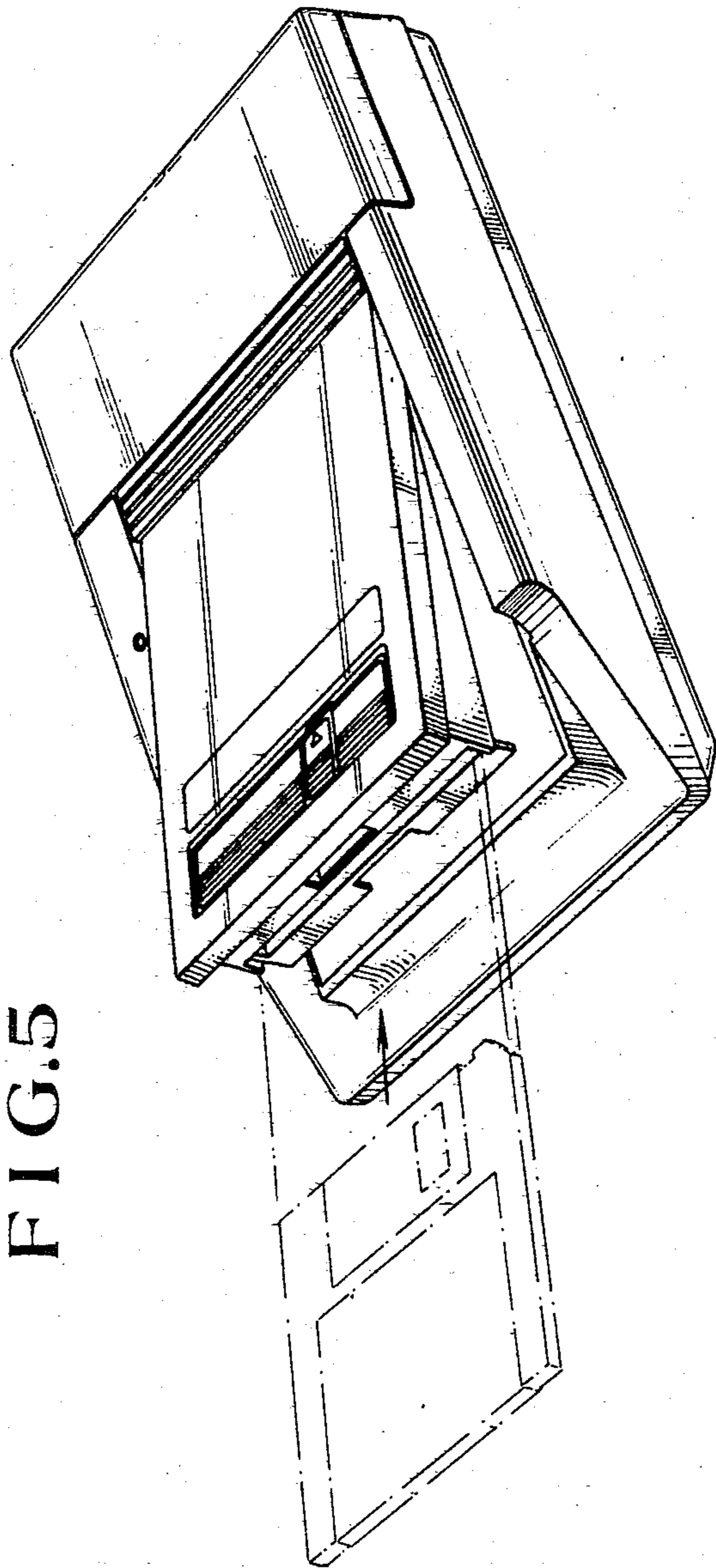


FIG.5