

United States Patent [19]

Rakocy et al.

[11] Patent Number: **Des. 289,997**

[45] Date of Patent: **** May 26, 1987**

- [54] **CHARGER BASE FOR BATTERY OPERATED FLASHLIGHT OR THE LIKE**
- [75] Inventors: **William J. Rakocy, Madison; Duane D. Adams, Essex, both of Conn.**
- [73] Assignee: **North American Philips Corporation, New York, N.Y.**
- [**] Term: **14 Years**
- [21] Appl. No.: **667,938**
- [22] Filed: **Nov. 2, 1984**
- [52] U.S. Cl. **D13/6**
- [58] Field of Search **D13/40-41, D13/99, 6; 320/2, 3, 4, 5; 15/DIG. 1; 339/11 C**

3,293,528	12/1966	Rosen et al.	320/2
3,435,318	3/1969	Mas	320/2
3,473,859	10/1969	Kircher	320/2
3,659,180	4/1972	Urbush	320/2

Primary Examiner—James M. Gandy
Assistant Examiner—Ruth E. Takemoto
Attorney, Agent, or Firm—Thomas A. Briody; William J. Streeter; Rolf E. Schneider

[57] CLAIM

The ornamental design for a charger base for battery operated flashlight or the like, as shown and described.

DESCRIPTION

FIG. 1 is a front, top and right-side perspective view of a charger base for battery operated flashlight or the like showing our new design;
FIG. 2 is a top plan view thereof;
FIG. 3 is a right-side elevational view thereof;
FIG. 4 is a left-side elevational view thereof;
FIG. 5 is a bottom plan view thereof;
FIG. 6 is a front elevational view thereof; and
FIG. 7 is a rear elevational view thereof.

[56] References Cited

U.S. PATENT DOCUMENTS

D. 213,111	1/1969	Jaffe	D13/5
D. 215,303	9/1969	Carpenter	D13/6
D. 218,105	7/1970	Sato	D13/5
3,183,891	5/1965	MacDonald	320/2

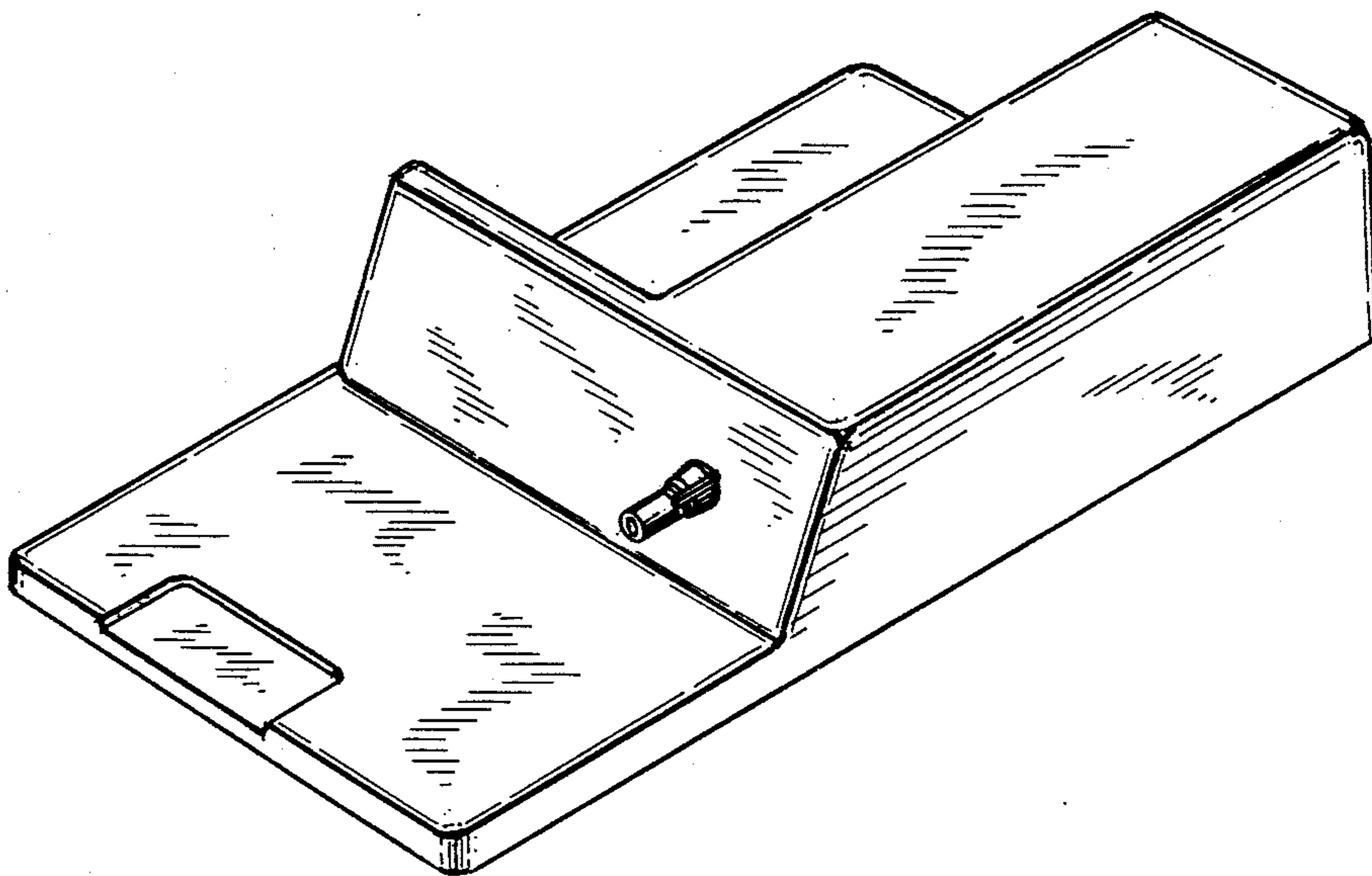


FIG. 1

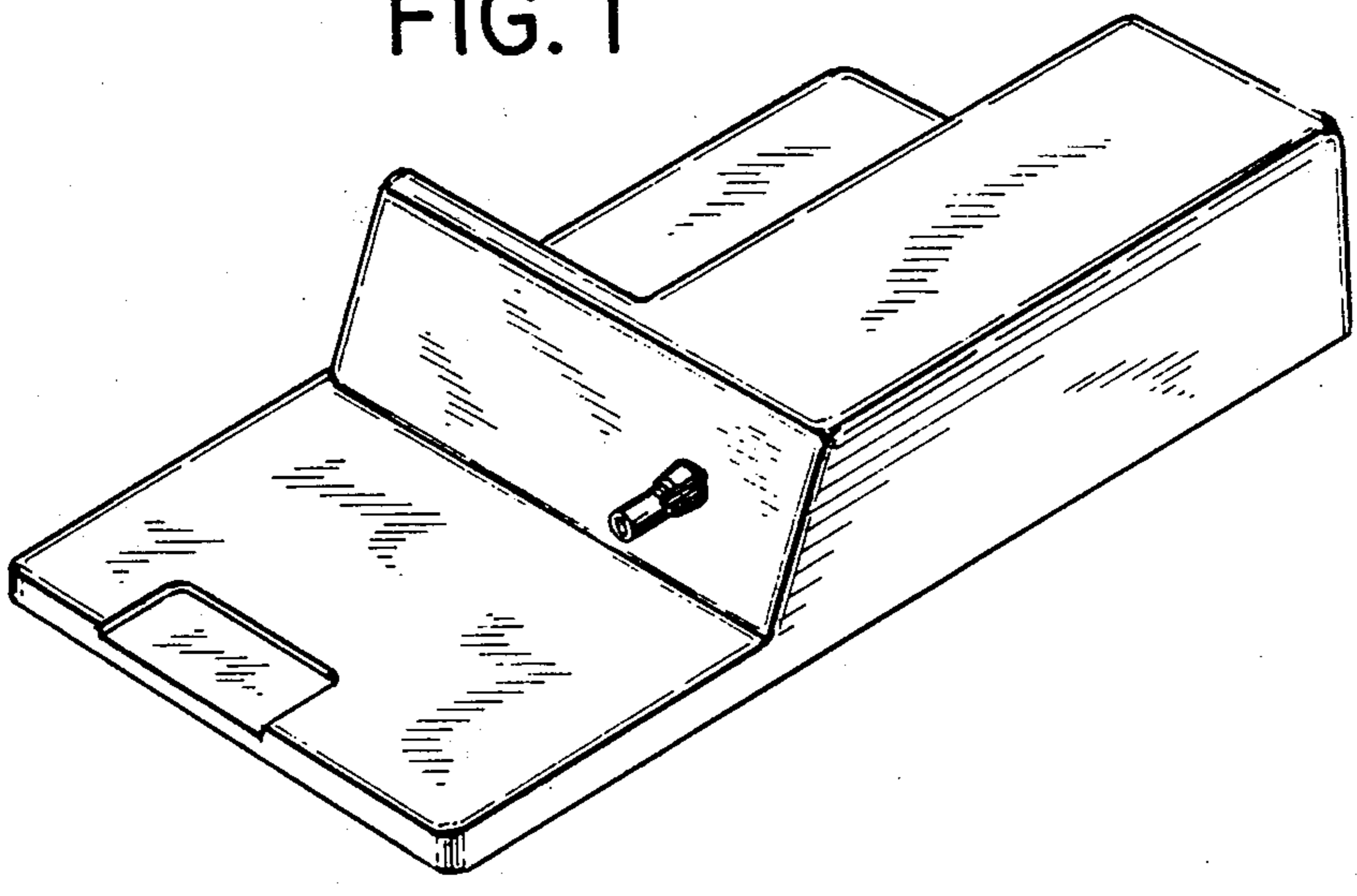


FIG. 2

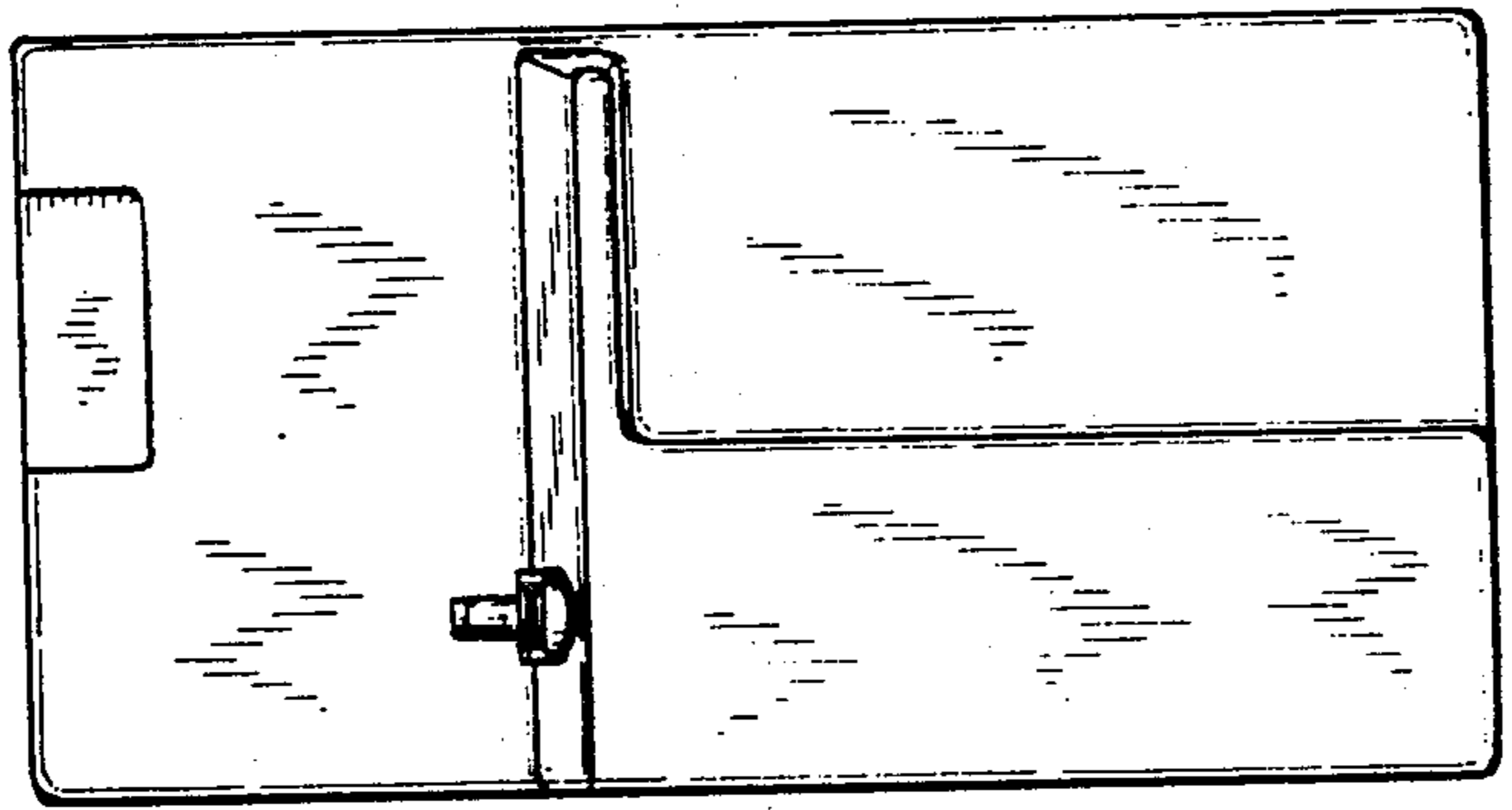


FIG. 3

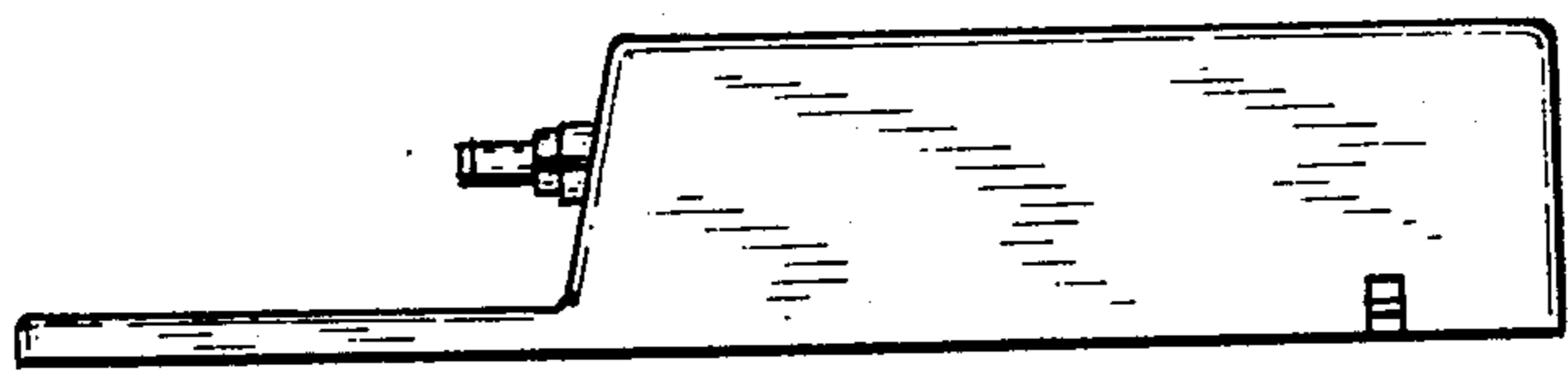


FIG. 4

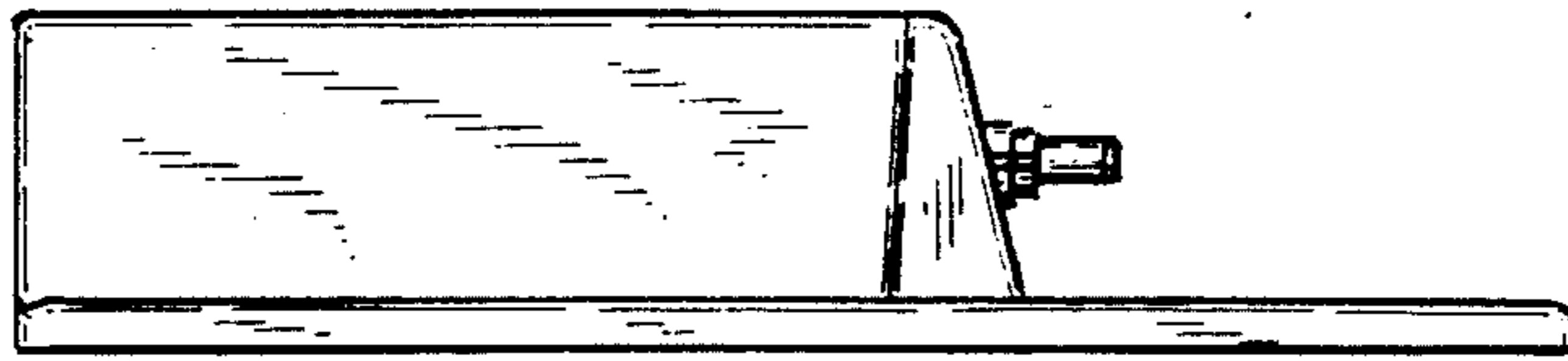


FIG. 5

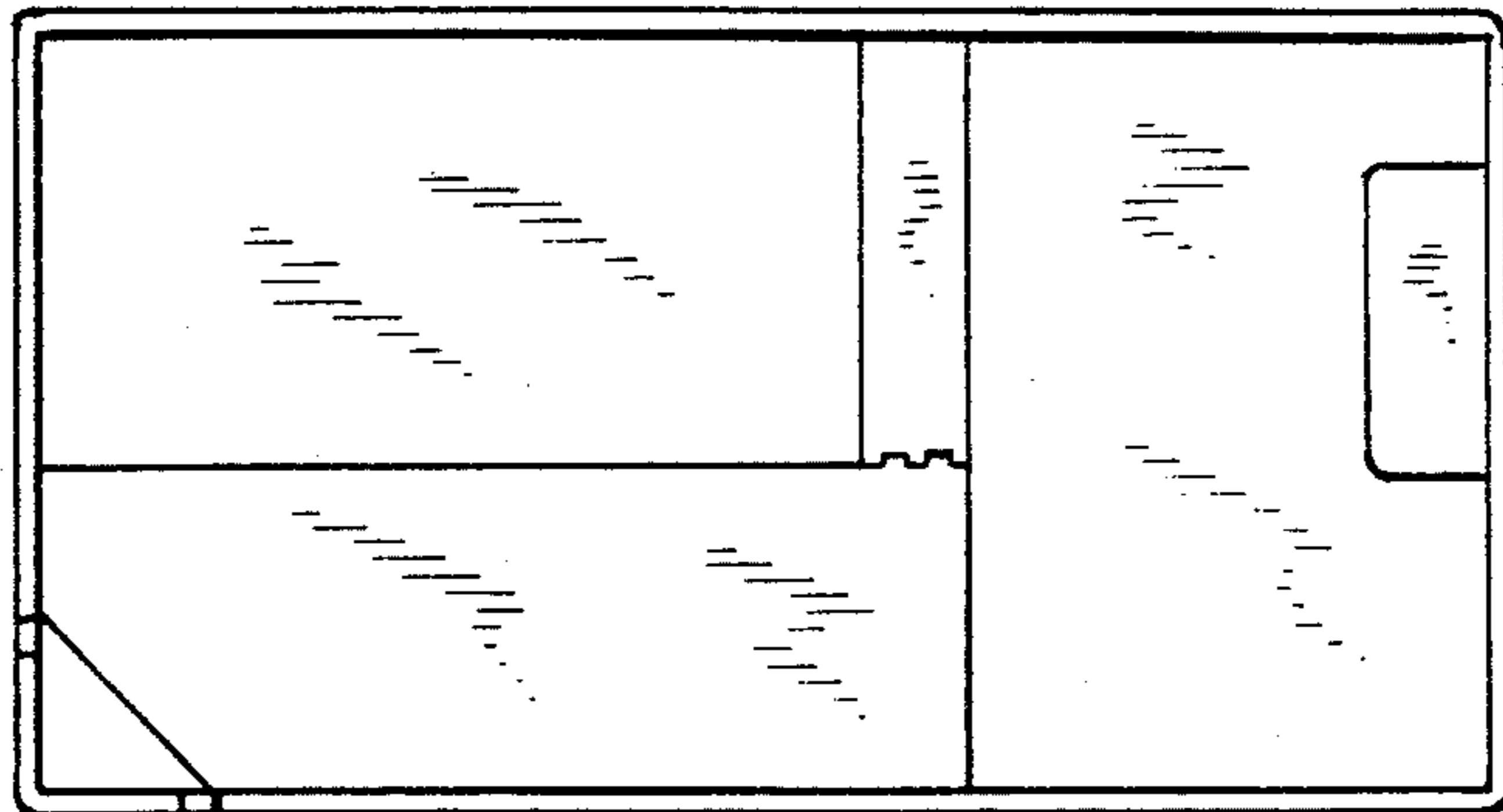


FIG. 6

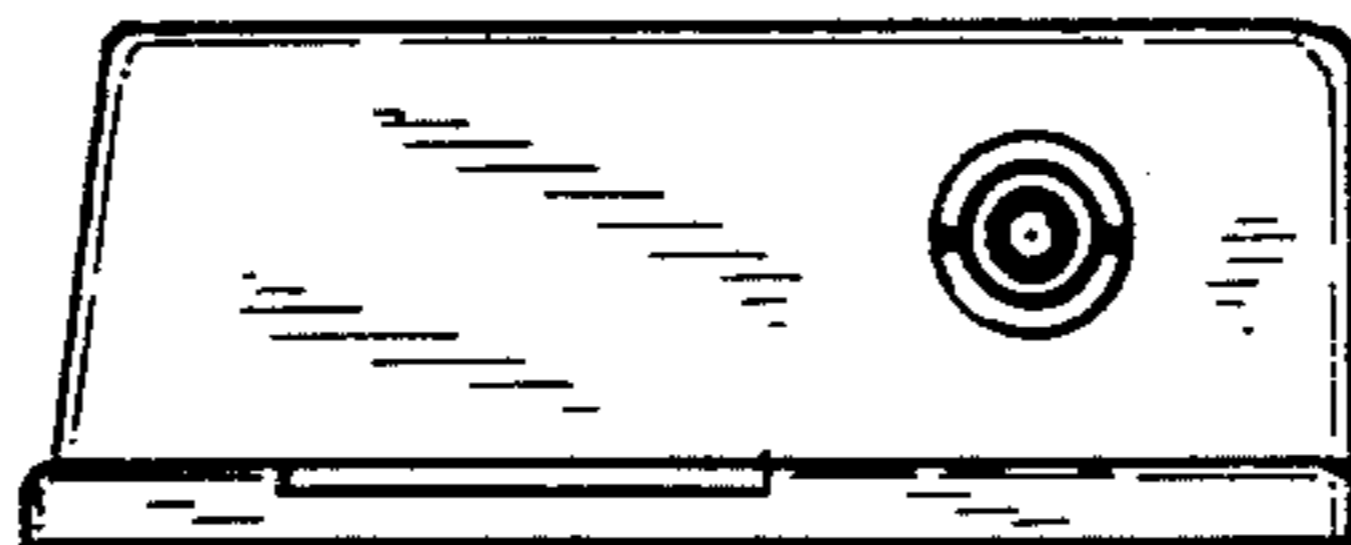


FIG. 7

