

# United States Patent [19]

Armiger

[11] Patent Number: **Des. 289,995**

[45] Date of Patent: **\*\* May 26, 1987**

[54] **WELDING POWER SUPPLY**

[75] Inventor: **John W. Armiger, Escondido, Calif.**

[73] Assignee: **PowCon Corporation, San Diego, Calif.**

[\*\*] Term: **14 Years**

[21] Appl. No.: **702,840**

[22] Filed: **Feb. 19, 1985**

[52] U.S. Cl. .... **D15/144; D13/2**

[58] Field of Search ..... **D13/1-4, D13/12, 40-41, 99; 320/2-5; 307/150, 151; 290/1 A; 322/1; 310/50, 113; D15/144; D8/30**

[56] **References Cited**

**U.S. PATENT DOCUMENTS**

D. 210,208 2/1968 Frelin ..... D13/4  
D. 225,644 12/1972 Beach ..... D13/40  
D. 230,993 3/1974 Warner ..... D14/40  
D. 243,459 2/1977 Bliss ..... D15/144

2,364,881 12/1944 Tyrner ..... 307/151  
2,976,424 3/1961 Anderson ..... 290/1 A  
4,293,756 10/1981 Hoyt, Jr. et al. .... 290/1 A

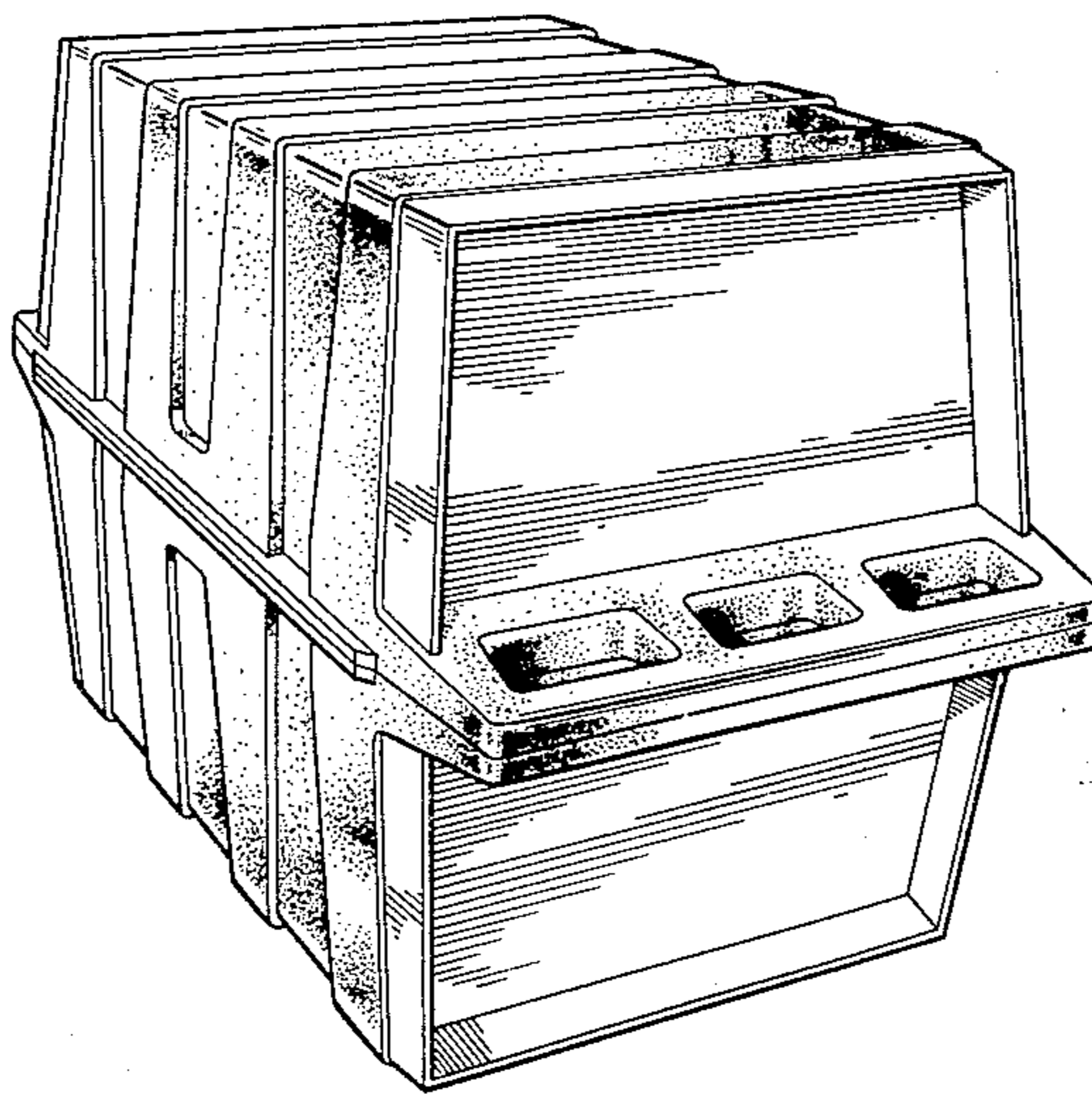
*Primary Examiner*—Wallace R. Burke  
*Assistant Examiner*—Ruth E. Takemoto  
*Attorney, Agent, or Firm*—Majestic, Gallagher, Parsons & Siebert

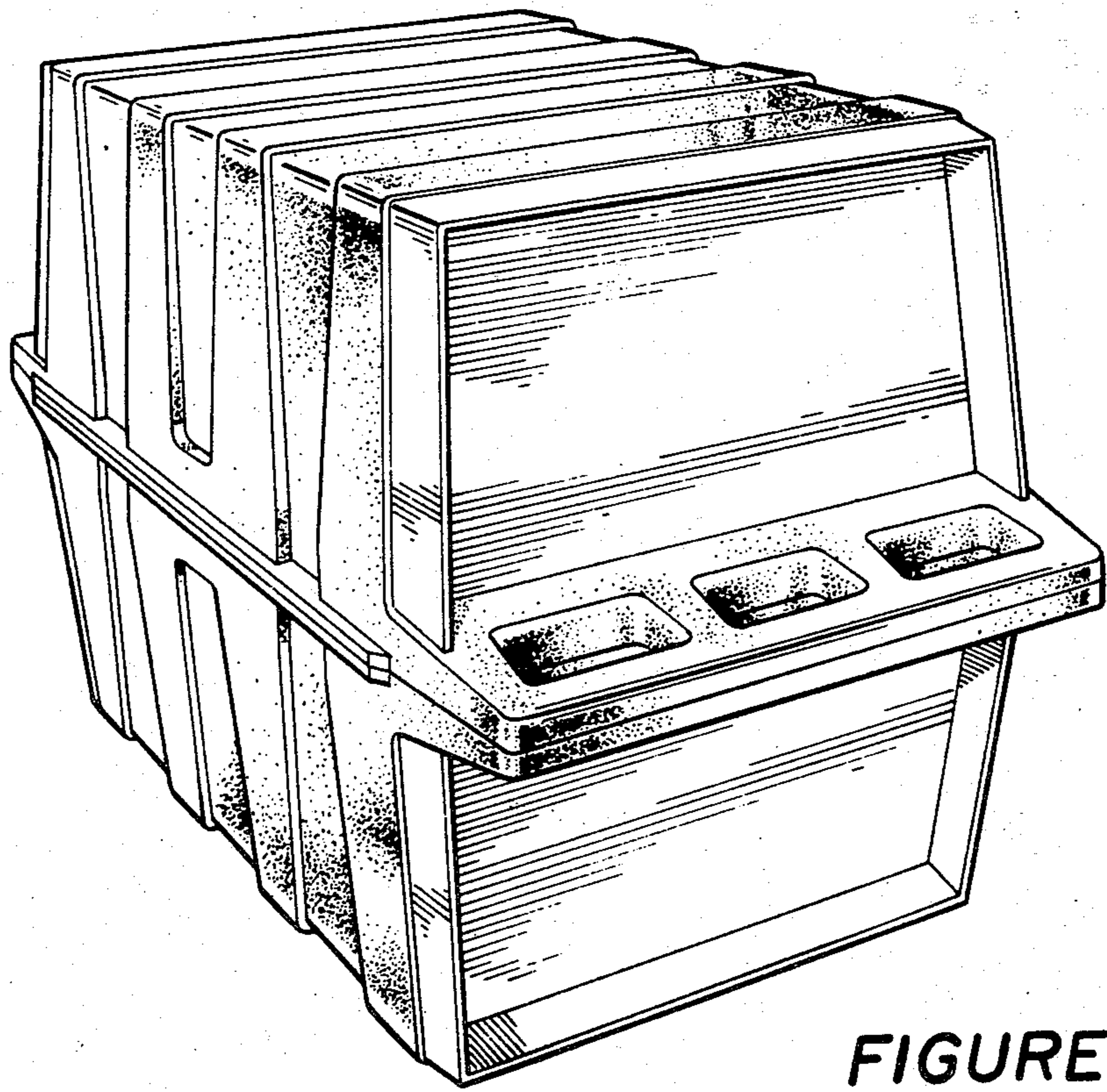
[57] **CLAIM**

The ornamental design of a welding power supply, substantially as shown and described.

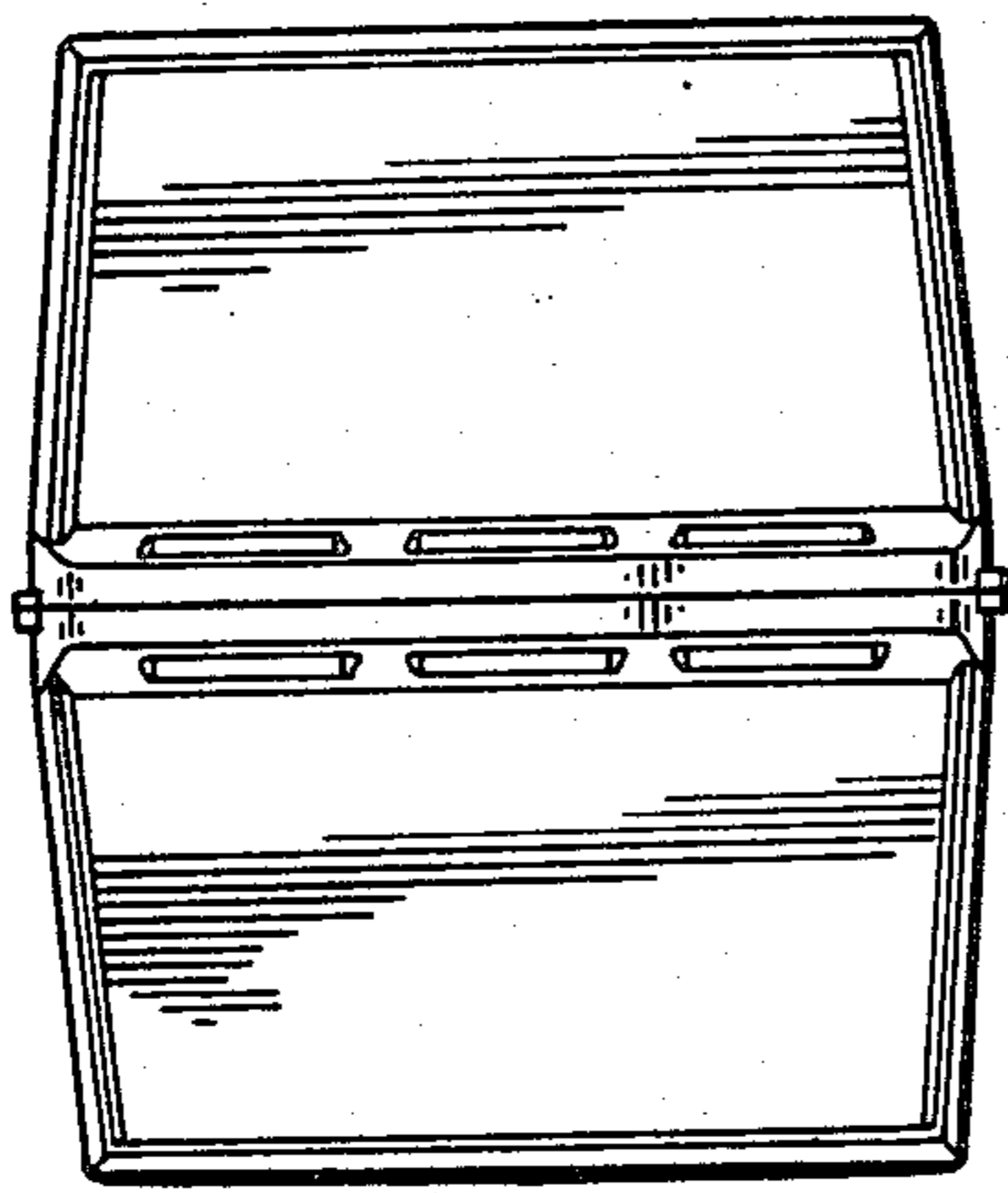
**DESCRIPTION**

FIG. 1 is a top, front and side isometric view of a welding power supply showing my new design; FIG. 2 is a front elevational view thereof; FIG. 3 is a rear elevational view thereof; FIG. 4 is a top plan view thereof; FIG. 5 is a bottom plan view thereof; FIG. 6 is a left side elevational view thereof; and FIG. 7 is a right side elevational view thereof.

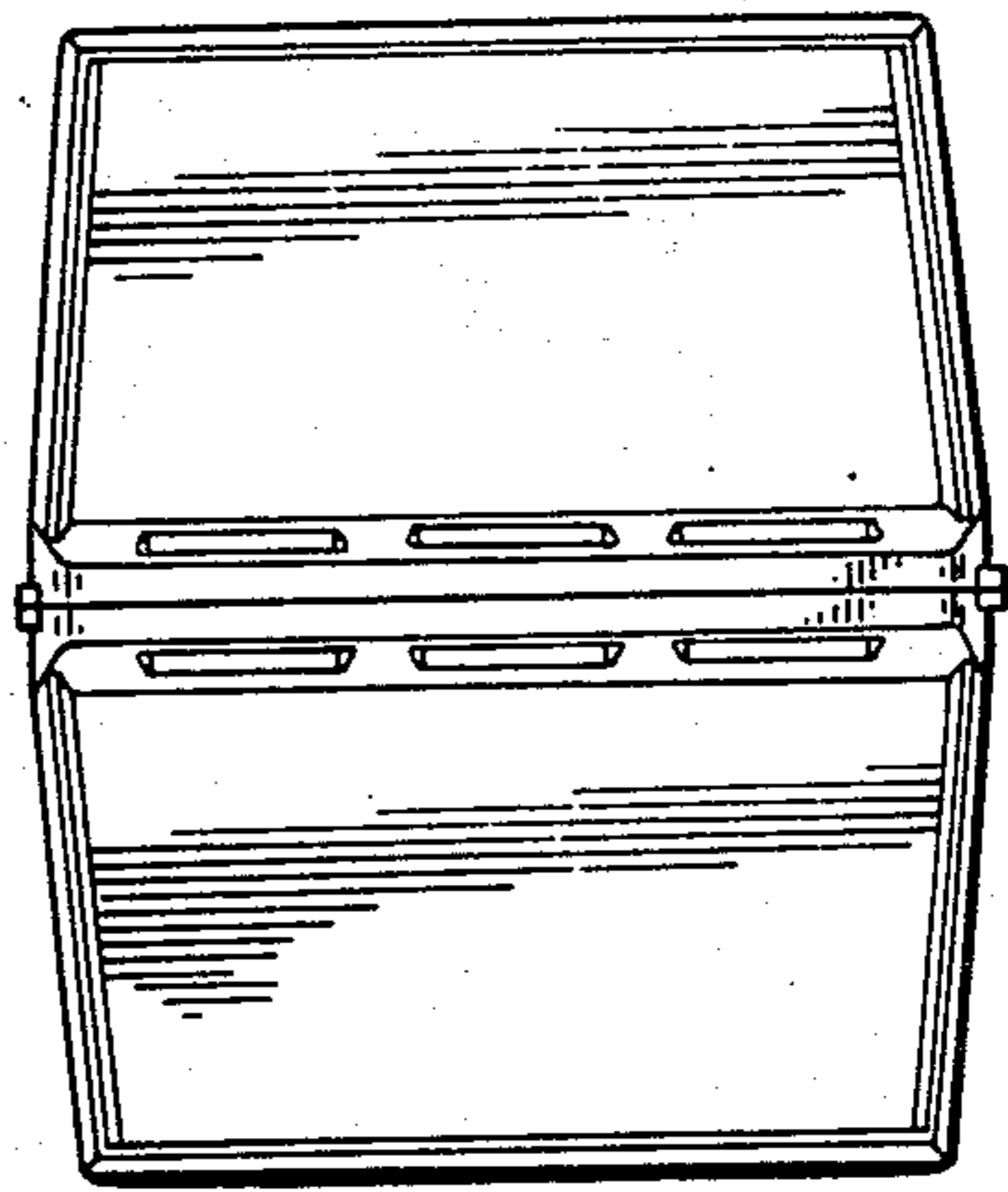




**FIGURE 1**



**FIGURE 2**



**FIGURE 3**

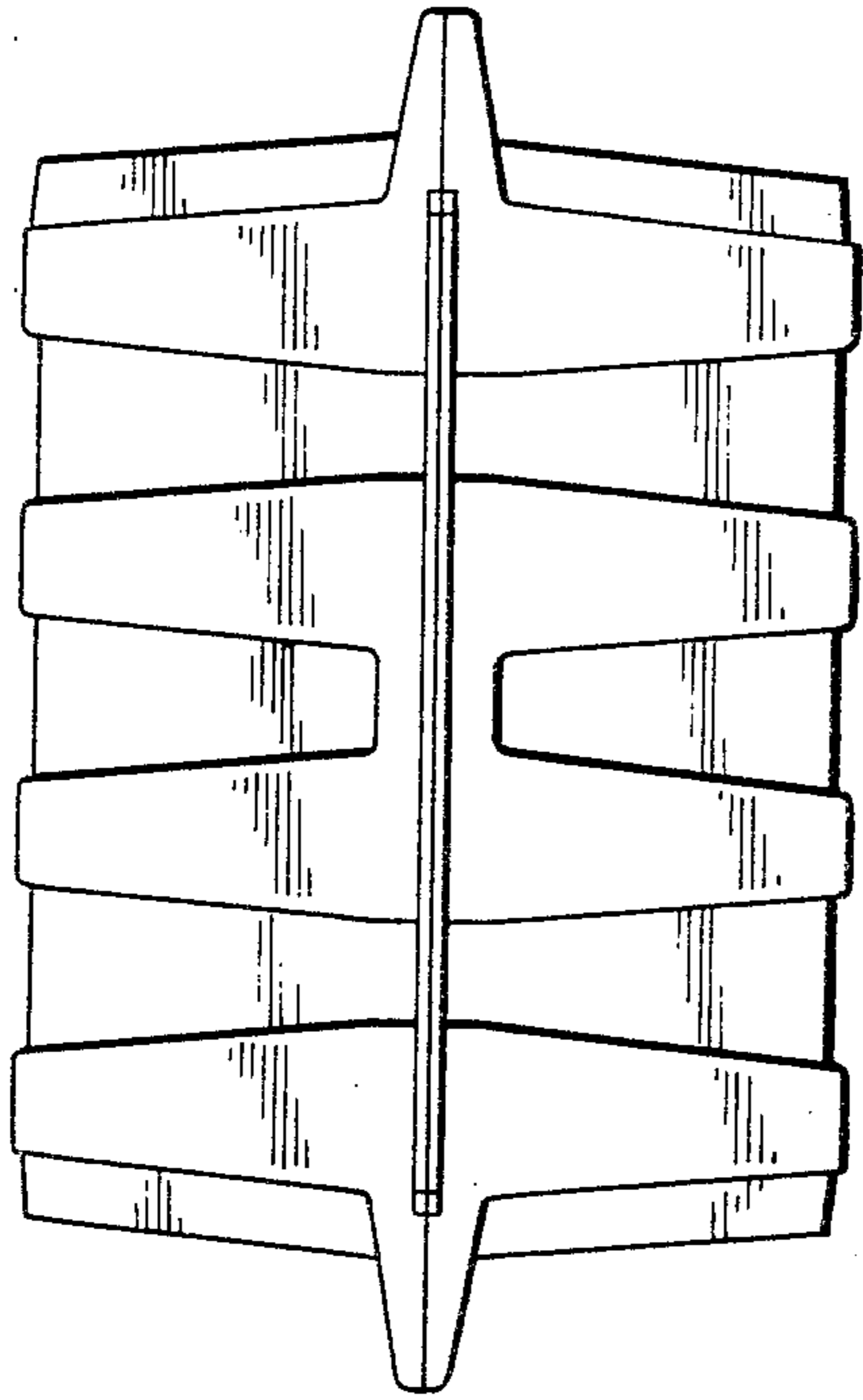


FIGURE 7

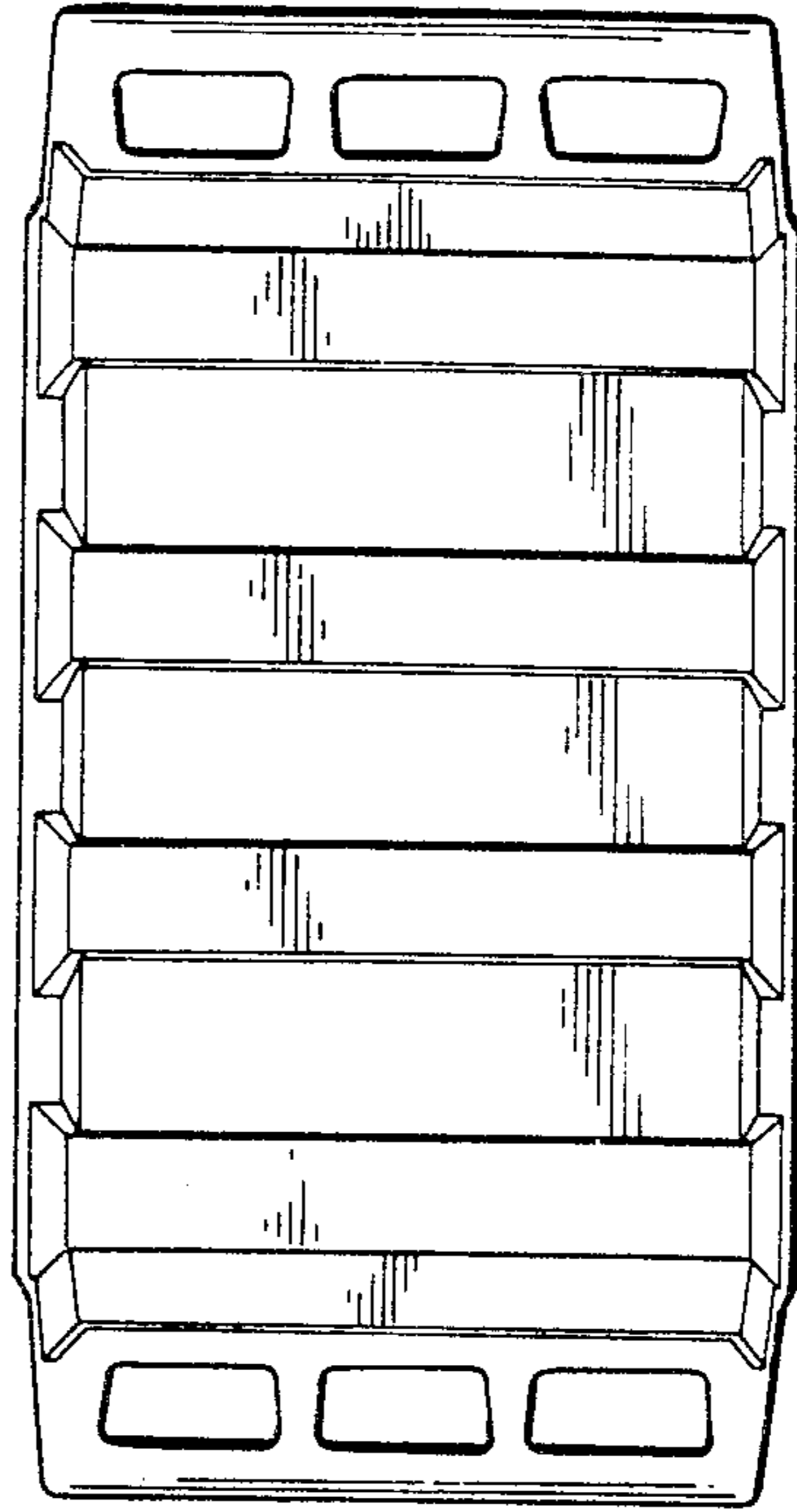


FIGURE 5

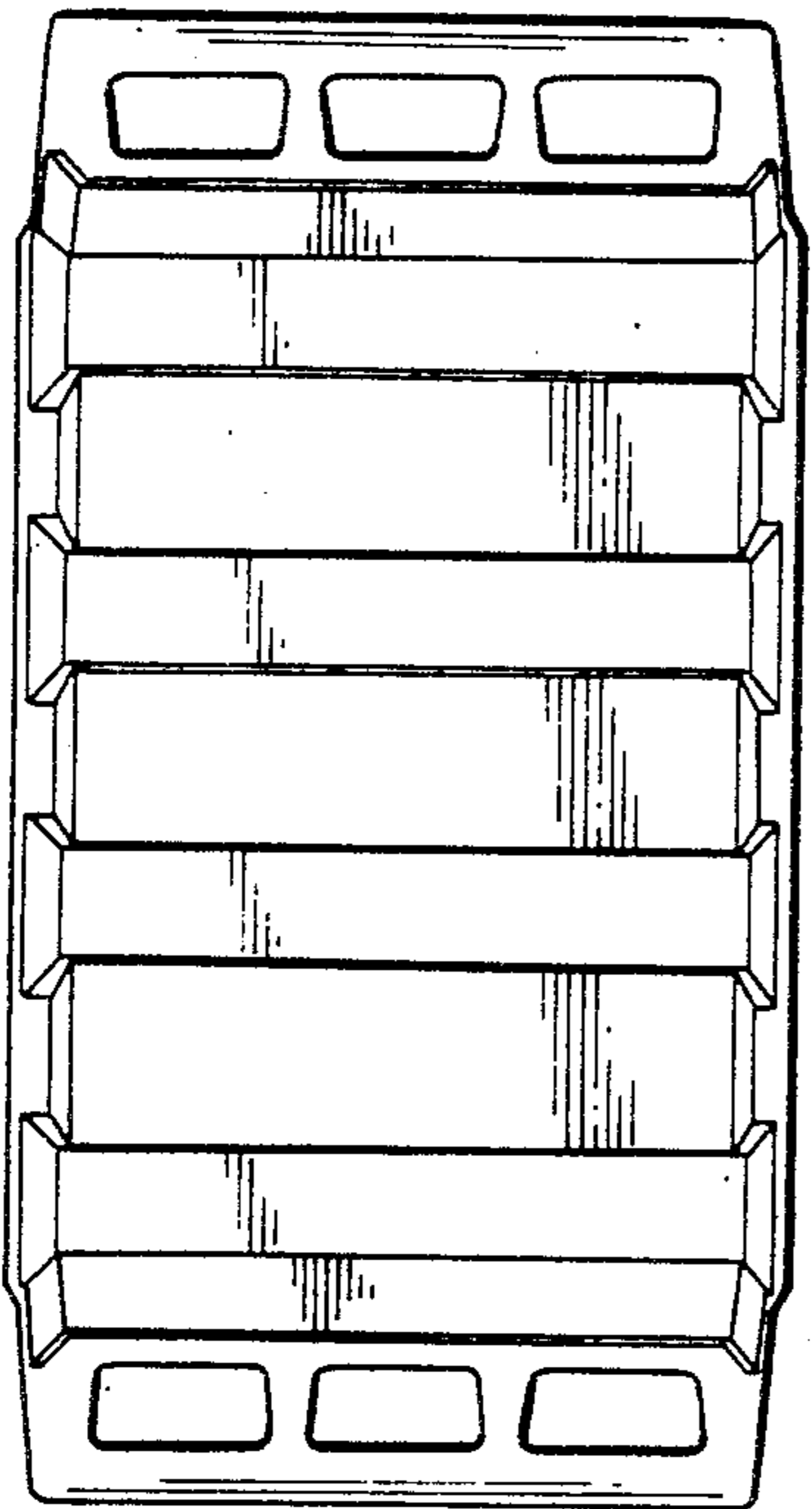


FIGURE 4

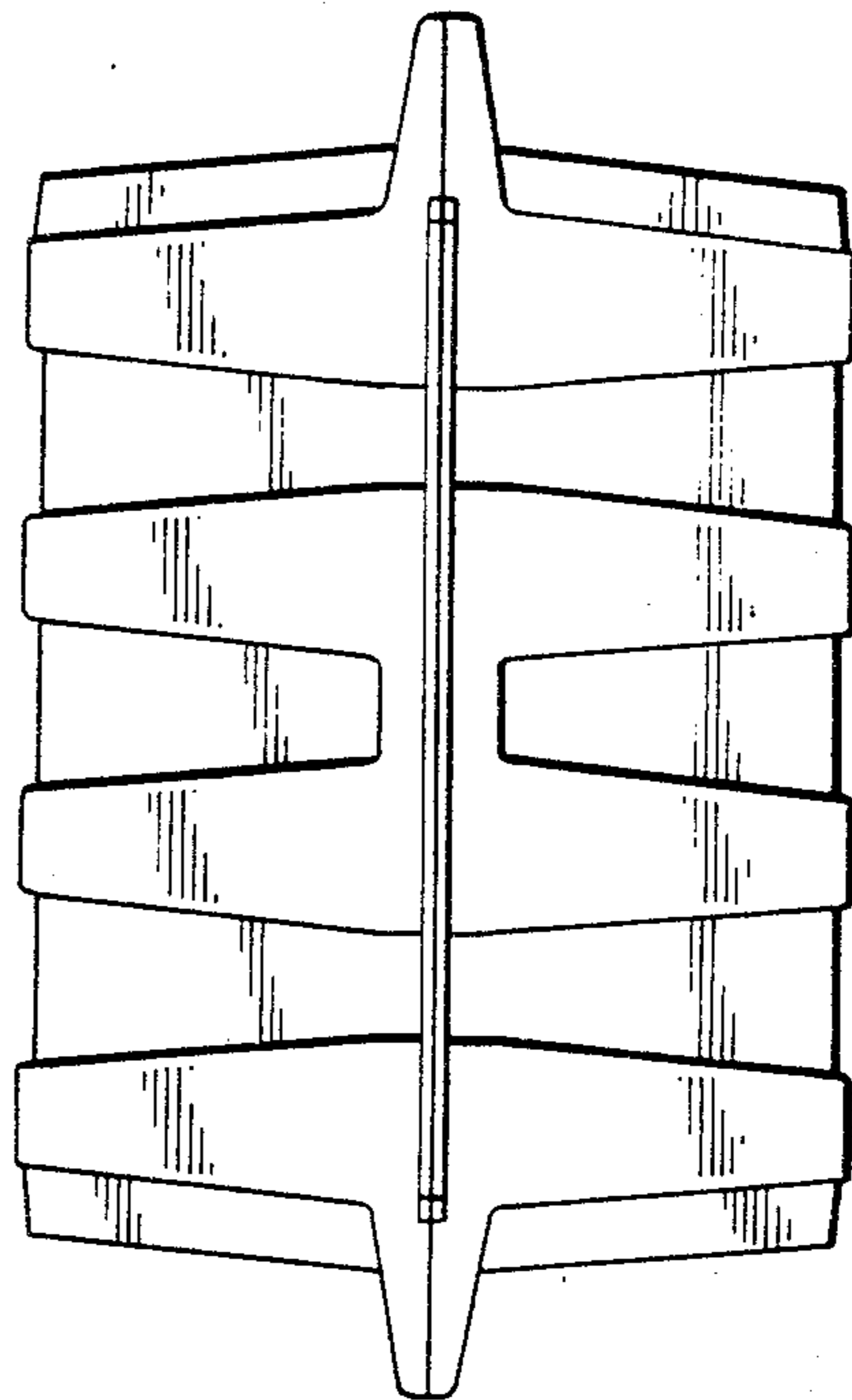


FIGURE 6