

[54] DISPENSING CONTAINER FOR PILLS OR THE LIKE

[75] Inventor: William M. Clover, Jr., Trabuco Canyon, Calif.

[73] Assignee: Kirstine/Hendricks, Irvine, Calif.

[**] Term: 14 Years

[21] Appl. No.: 647,937

[22] Filed: Sep. 6, 1984

[52] U.S. Cl. D9/398; D9/450

[58] Field of Search 222/142.9, 42, 182; 206/528, 535, 536, 538, 533; D9/341, 349, 352, 350, 355, 351, 398, 449, 450; 215/352, 349

[56] References Cited

U.S. PATENT DOCUMENTS

D. 245,670	9/1977	Clover, Jr.	D9/398
1,349,716	8/1920	Elliot .	
1,621,514	3/1927	Mann .	
1,817,562	8/1931	Hodge .	
2,236,224	3/1941	Raschkind .	
2,302,186	11/1942	Caretto .	
2,469,034	3/1949	Garris .	
2,655,288	10/1953	Caretto .	
2,718,336	9/1955	Rochow .	
2,774,466	12/1956	Liska .	
2,890,816	6/1959	Horland .	
2,903,127	9/1959	Dorman .	
2,953,242	9/1960	Shaw .	
2,971,681	2/1961	Galbierz .	
3,335,915	8/1967	Shannon .	
3,358,818	12/1967	Davis .	
3,561,592	2/1971	McCool .	
4,127,190	11/1978	Sunnen	206/538 X

4,288,006	9/1981	Clover, Jr.	222/42
4,583,661	4/1986	Clover, Jr.	222/42
4,583,667	4/1986	Fishman et al.	206/538 X

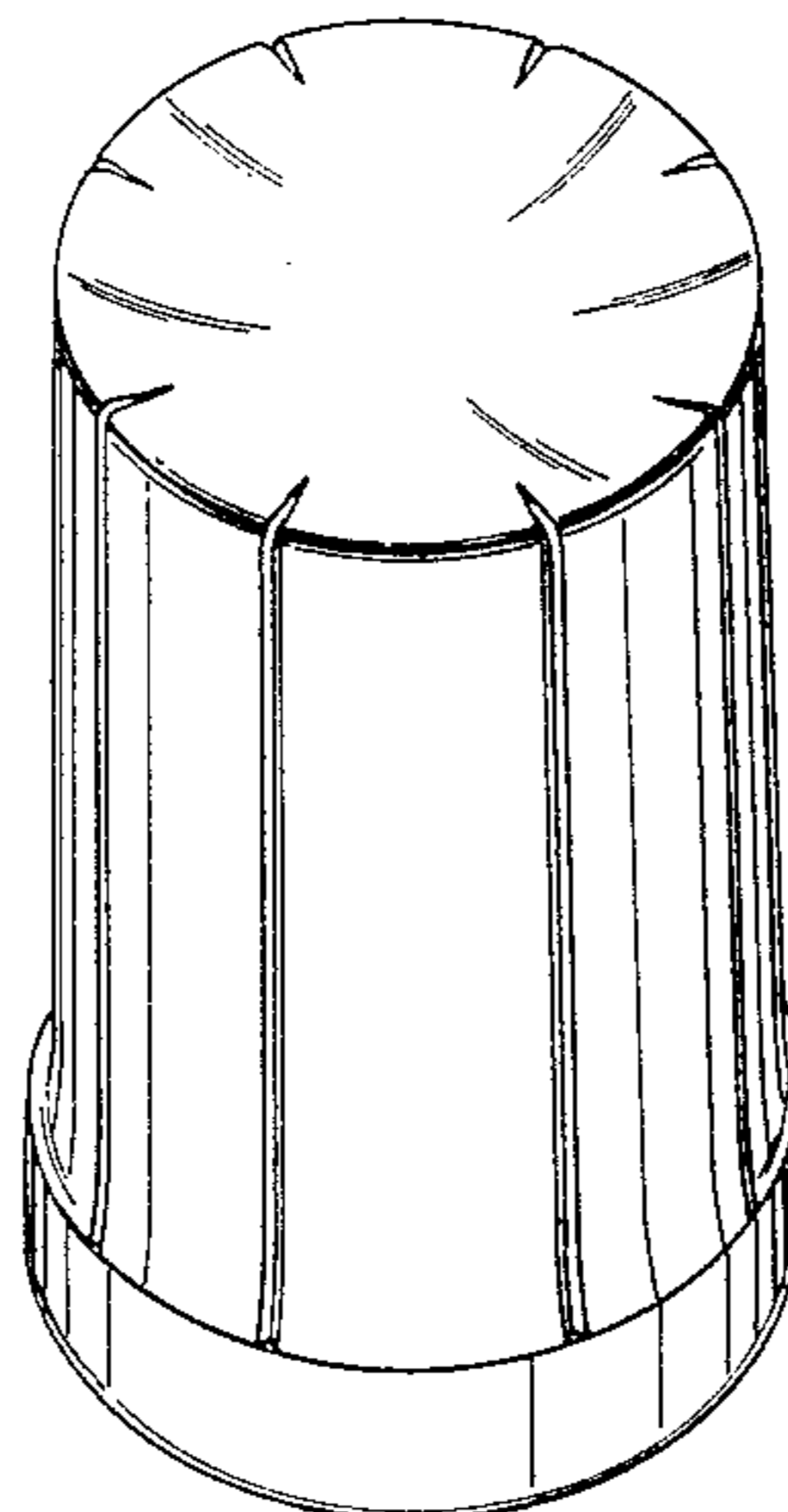
Primary Examiner—Robert C. Spangler
Attorney, Agent, or Firm—Knobbe, Martens, Olson & Bear

[57] CLAIM

The ornamental design for a dispensing container for pills or the like, as shown and described.

DESCRIPTION

FIG. 1 is a top perspective view of a dispensing container for pills or the like showing my new design; FIG. 2 is a bottom perspective view thereof; FIG. 3 is a side elevational view, the opposite side being the same in appearance; FIG. 4 is a top perspective view with the cap removed; FIG. 5 is a bottom perspective view with the cap removed; FIG. 6 is a side elevational view with the cap removed, the opposite side being the same in appearance except that the finish shows a single thread which is a continuation of the thread ends seen in FIG. 6; FIG. 7 is a top perspective view showing a modified form of my new design with the cap removed; FIG. 8 is a bottom perspective view thereof; FIG. 9 is a side elevational view thereof; FIG. 10 is a top perspective view showing another modified form of my new design with the cap removed; FIG. 11 is a bottom perspective view thereof; and FIG. 12 is a side elevational view thereof. The embodiments of FIGS. 7-9 and 10-12 are identical to the design of FIGS. 1-6 in all respects except for the reduced heights seen best in FIGS. 9 and 12.



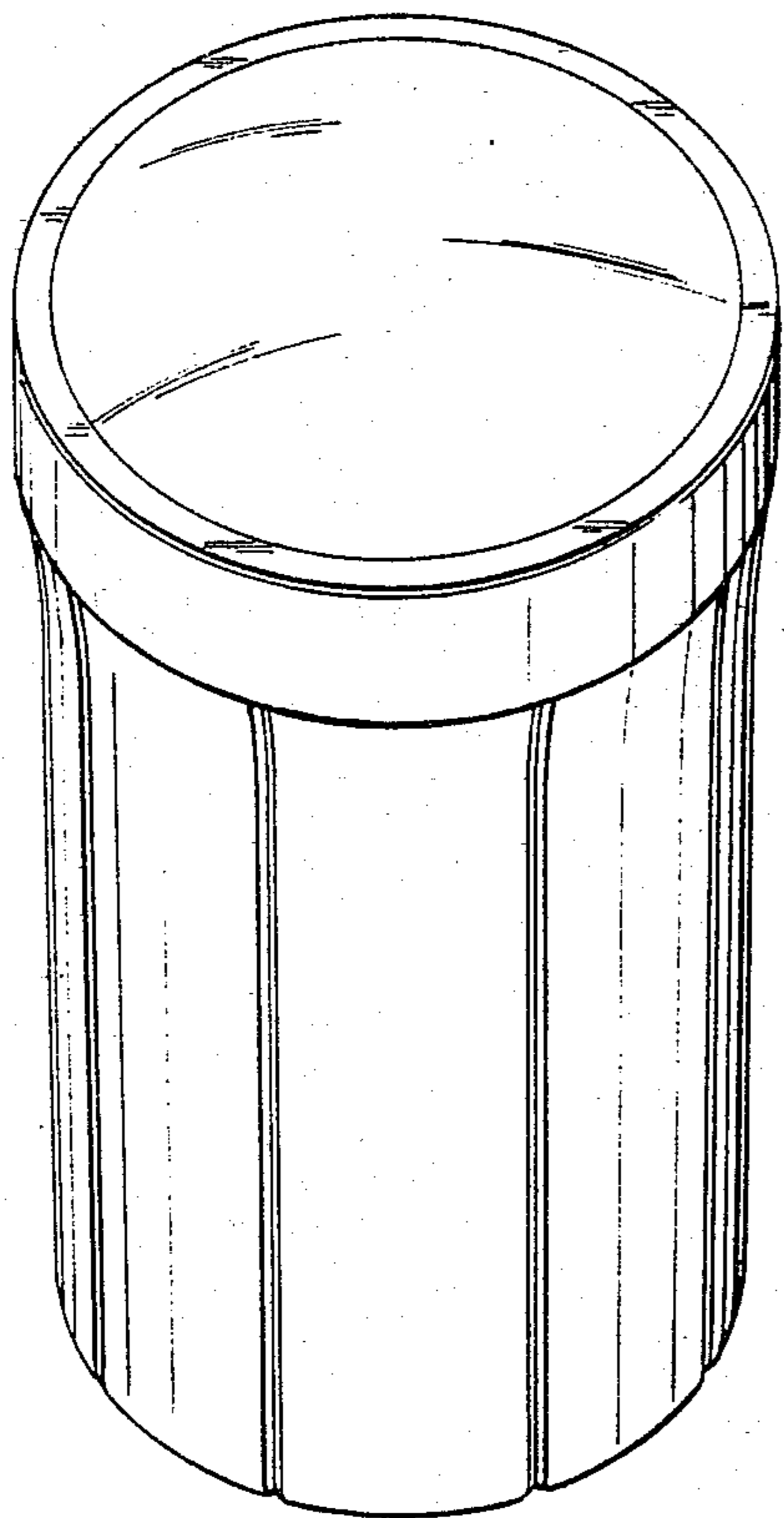


Fig. 1

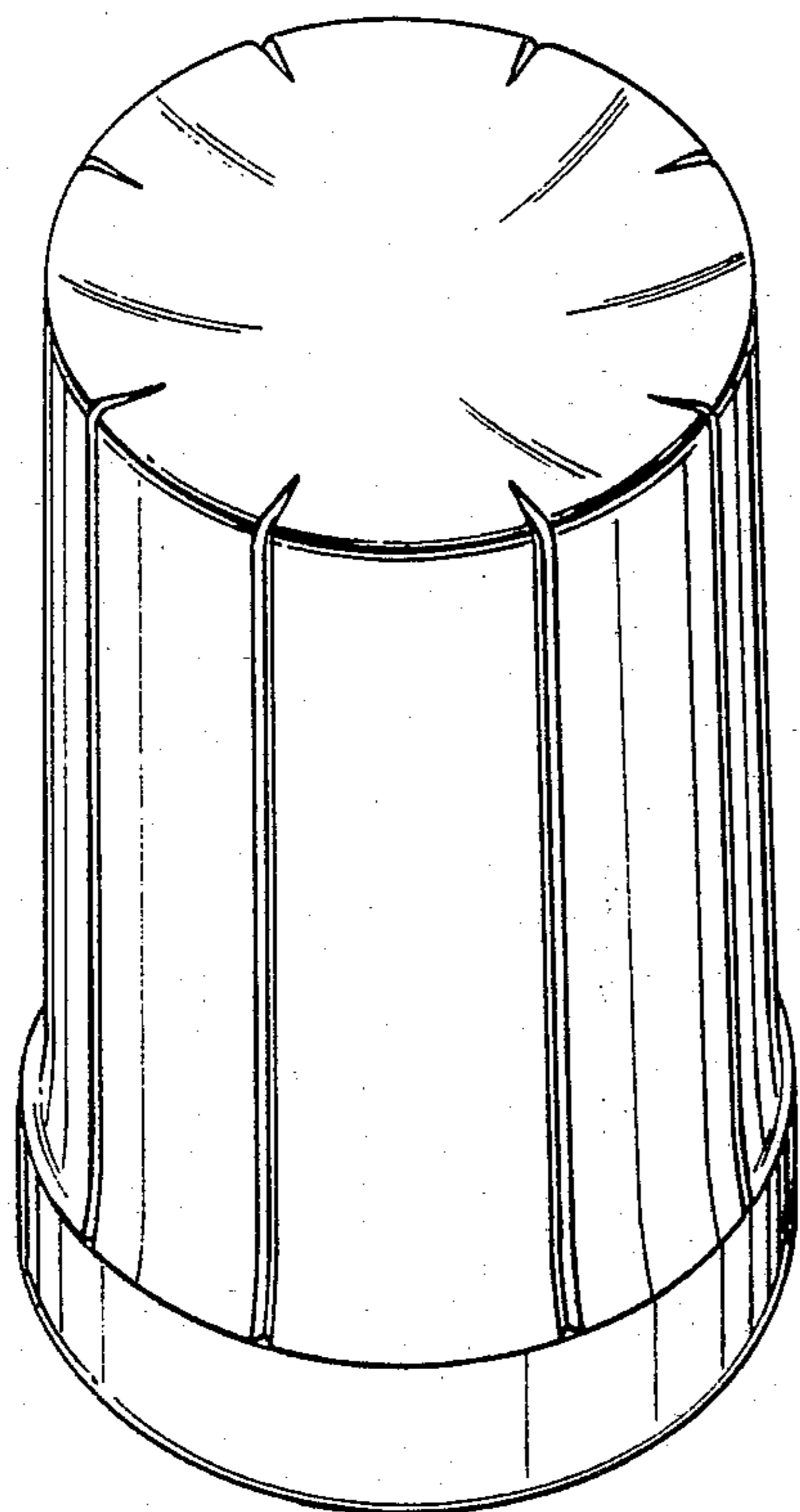


Fig. 2

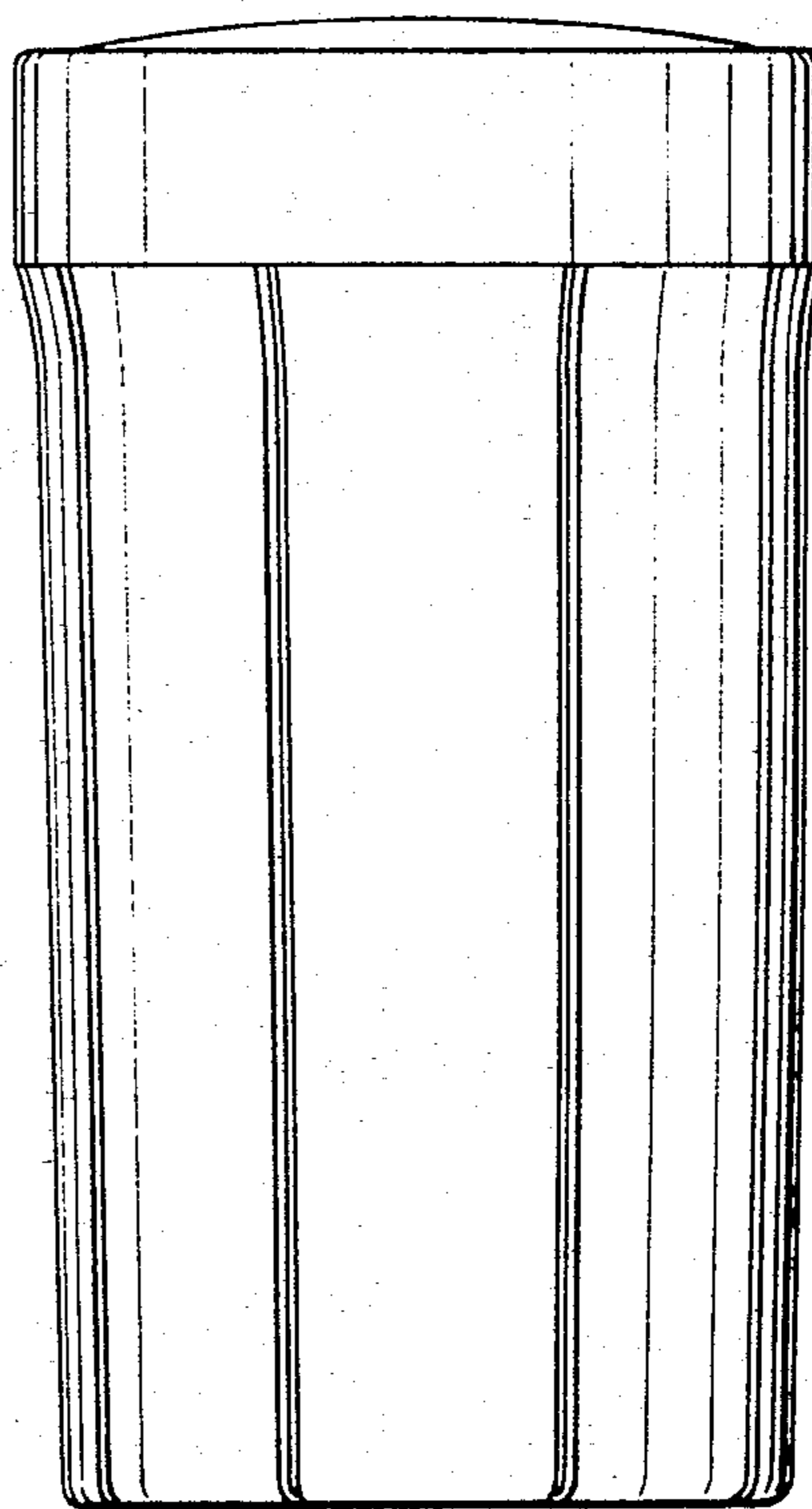


Fig. 3

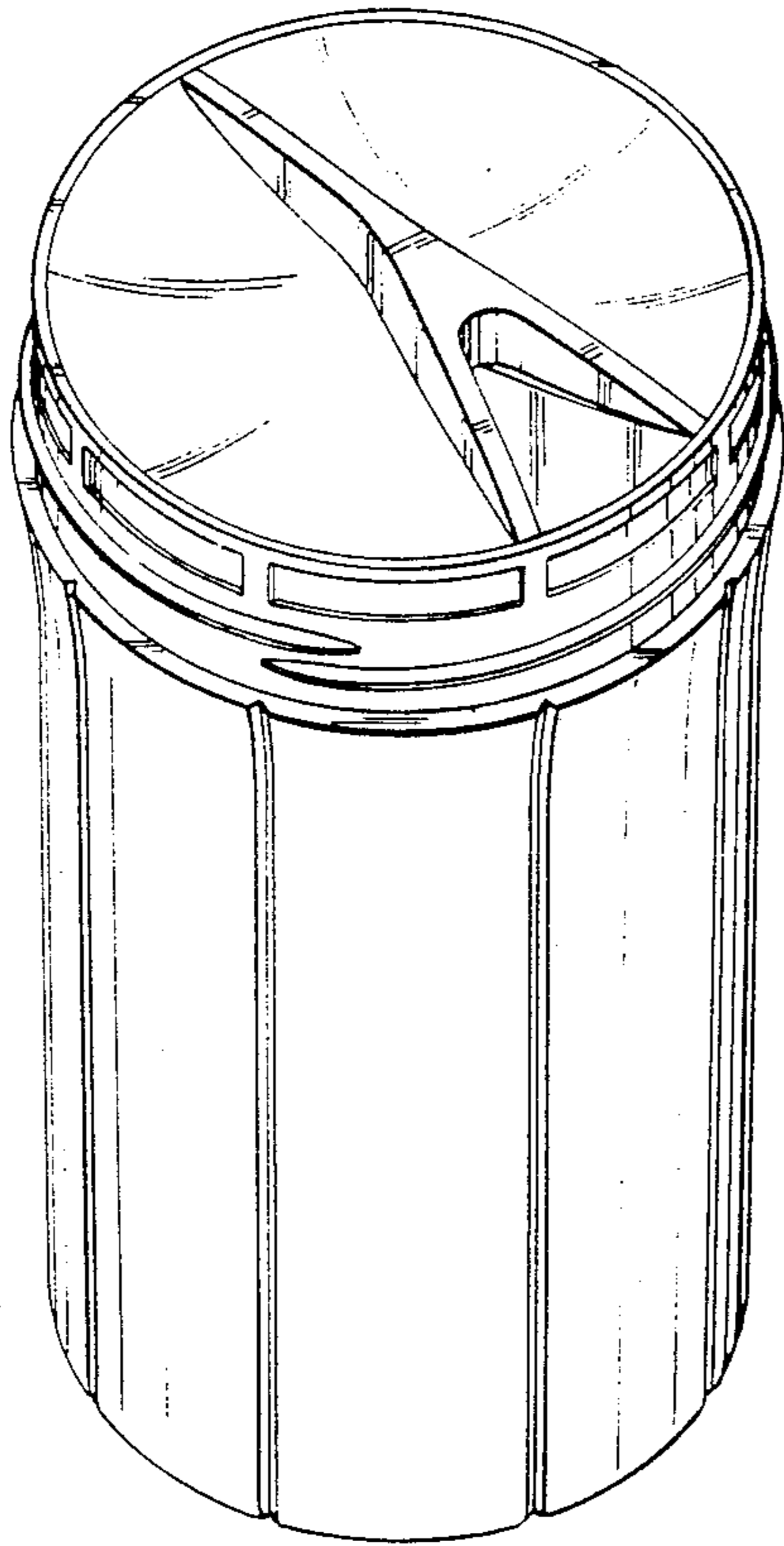


Fig. 4

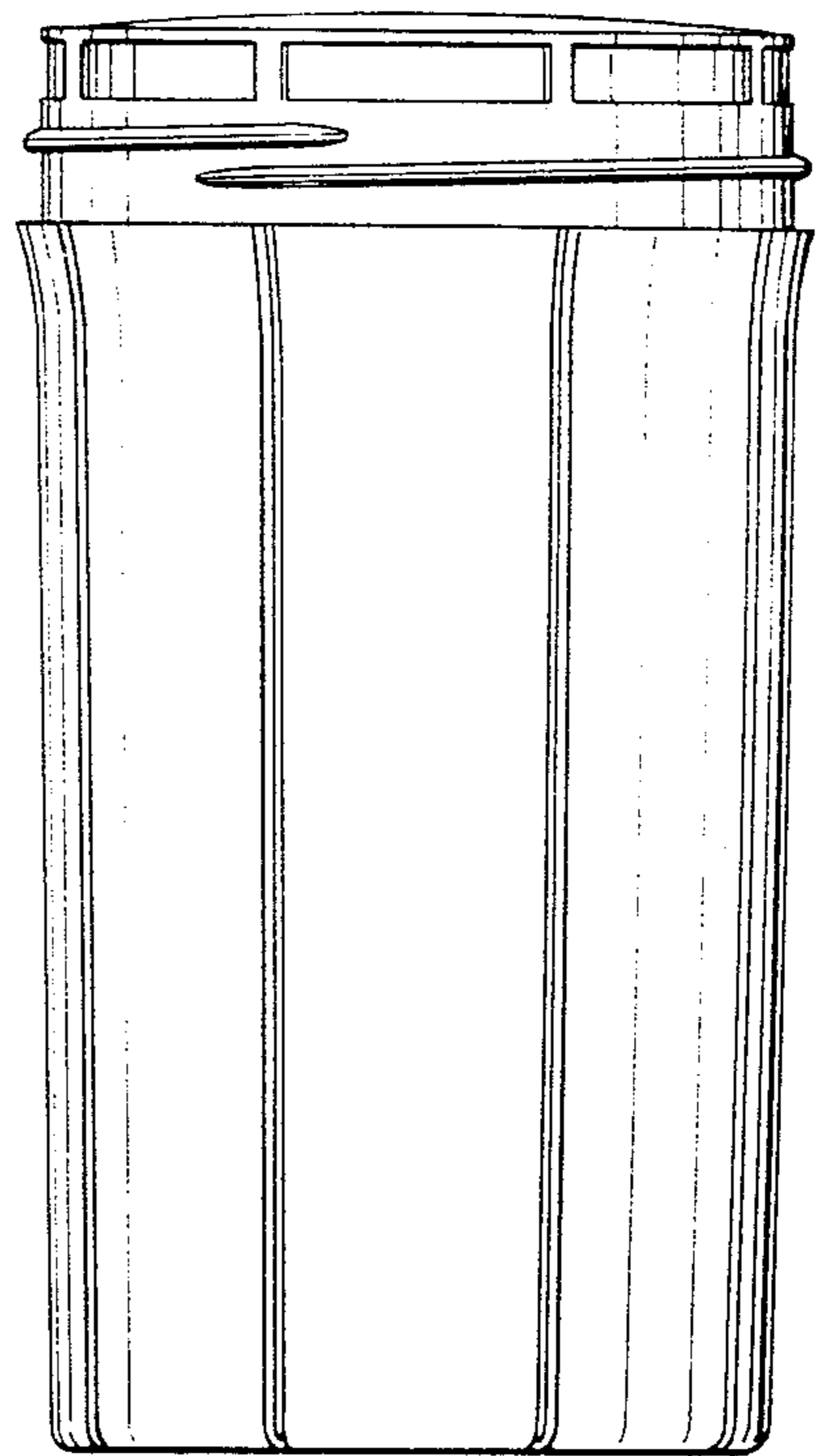


Fig. 6

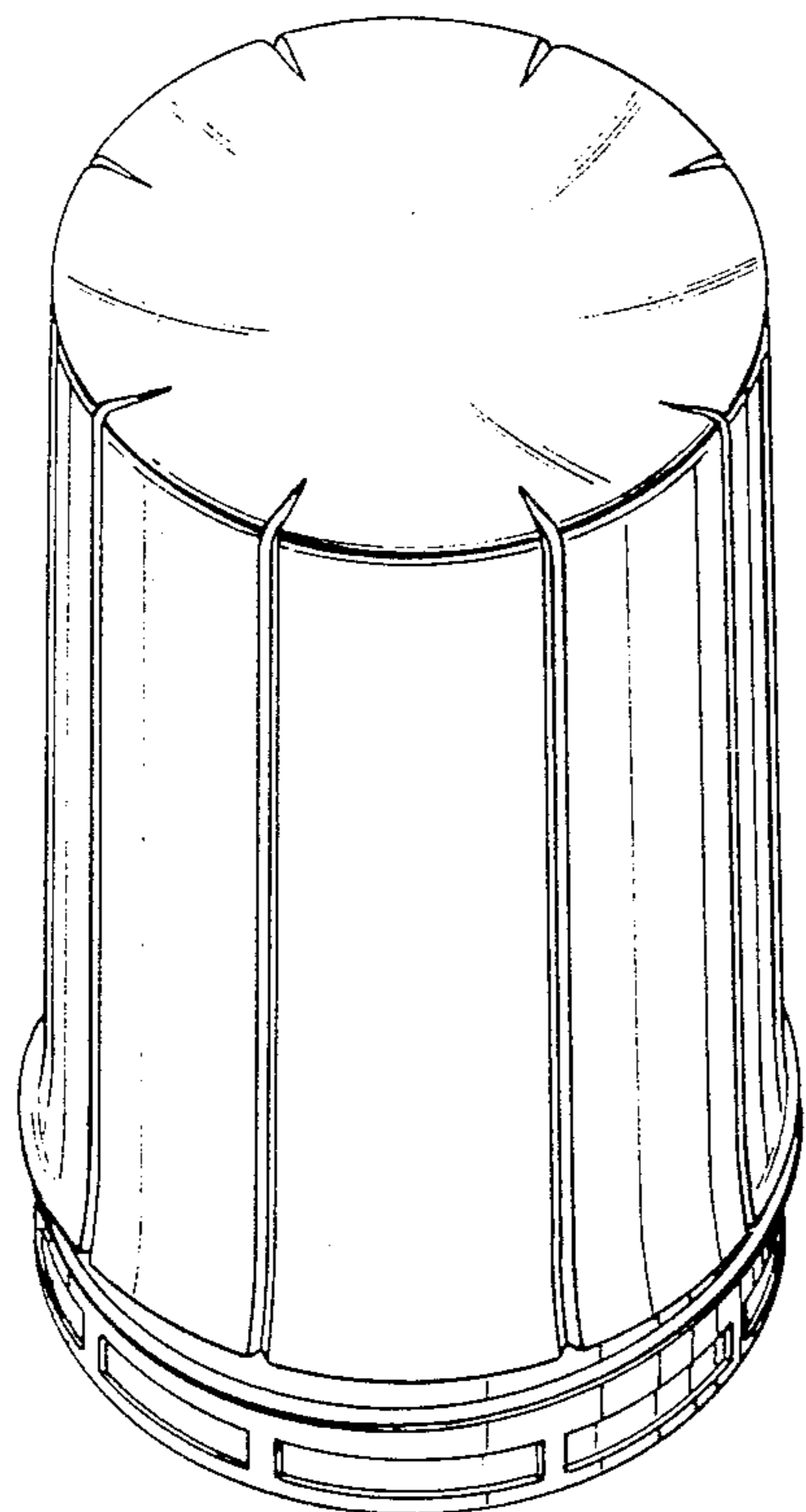


Fig. 5

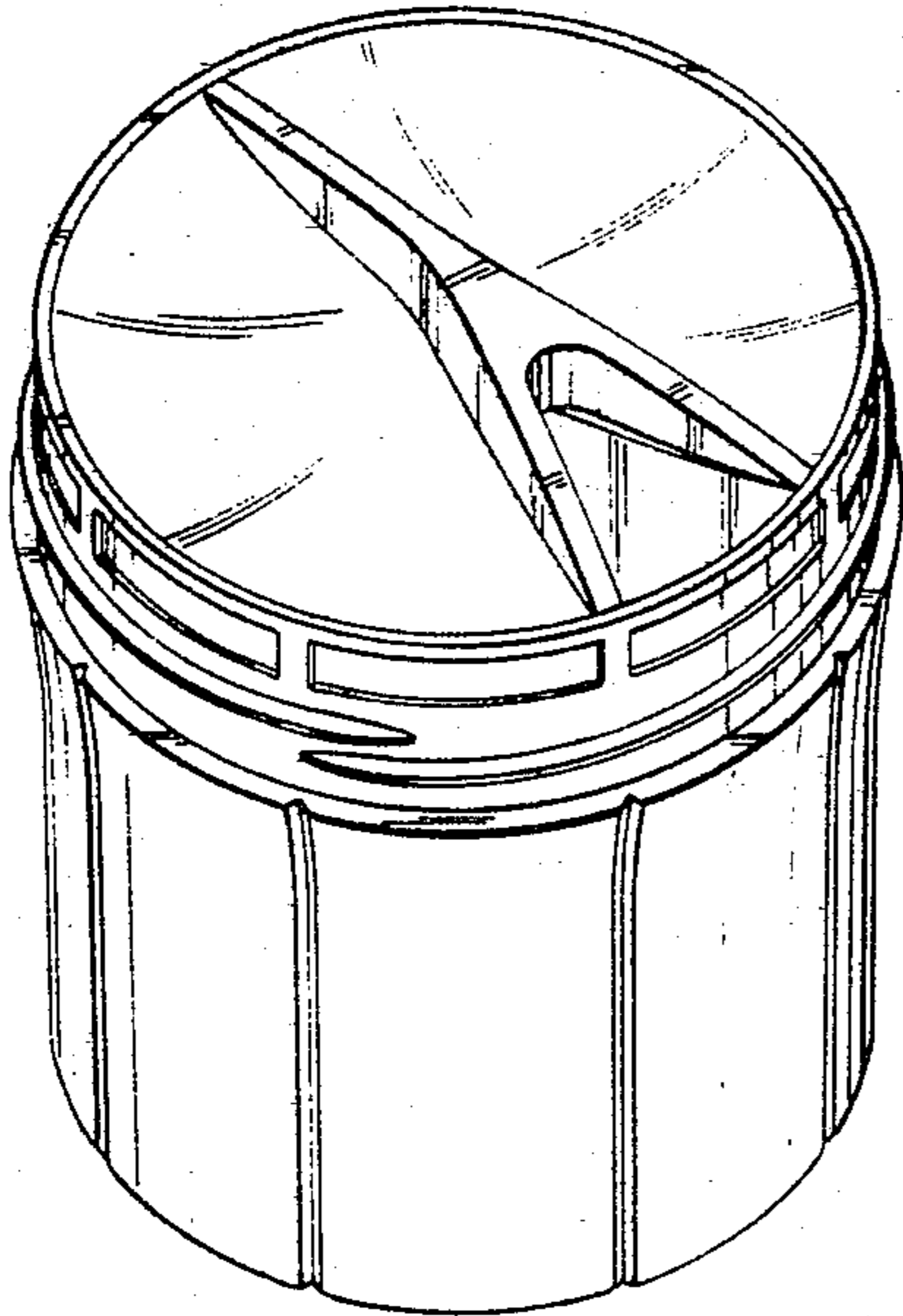


Fig. 7

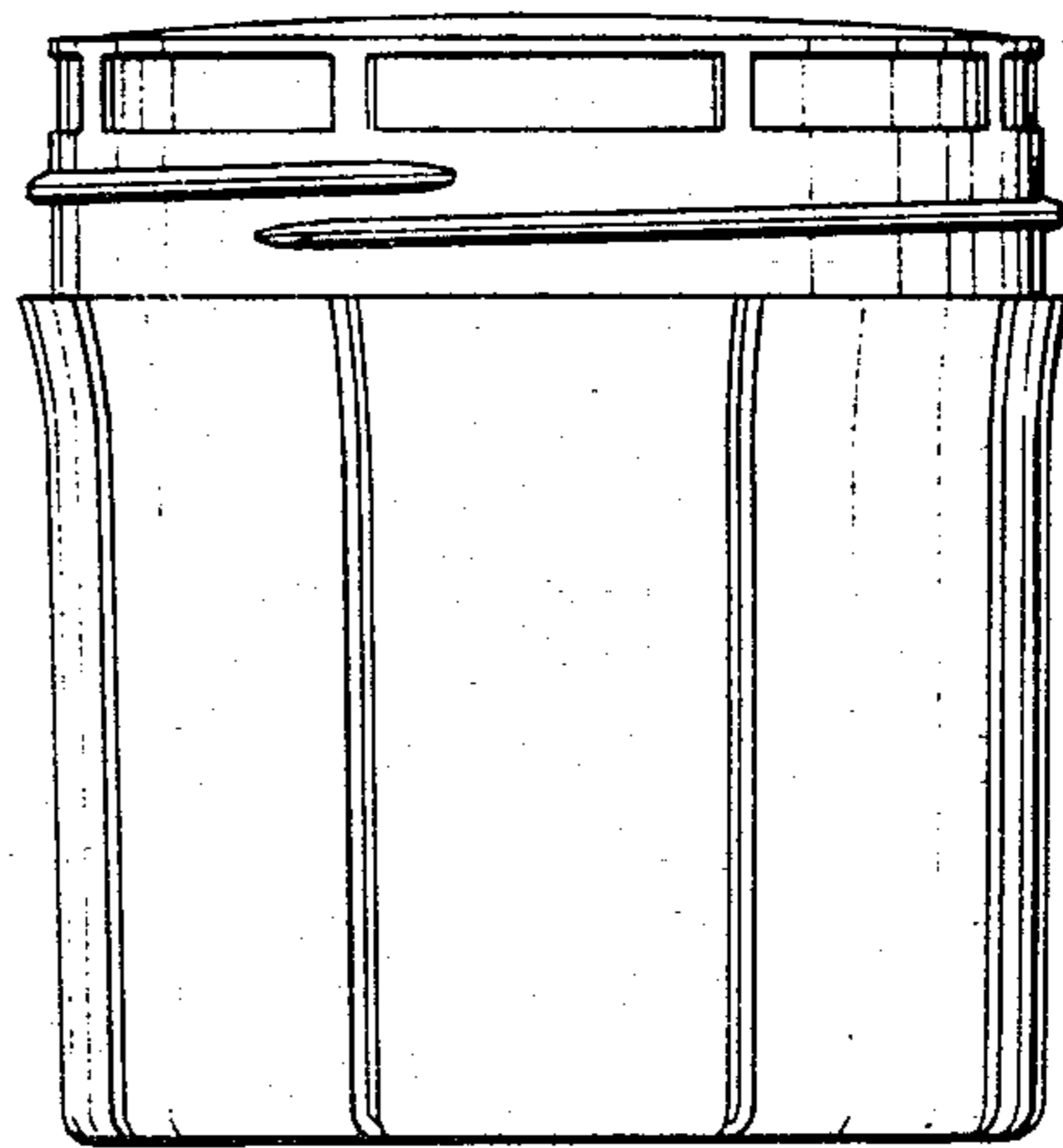
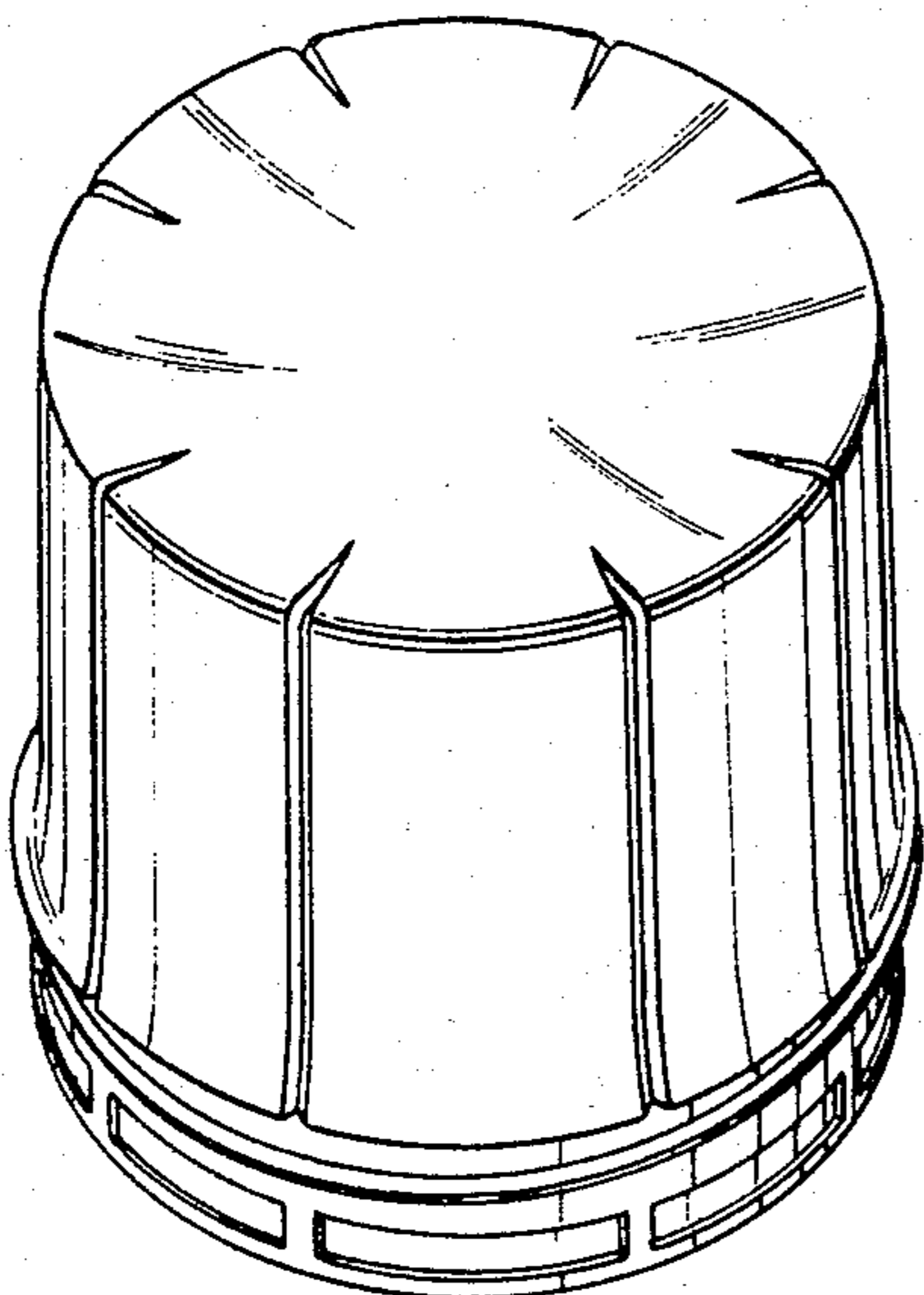


Fig. 8

Fig. 9



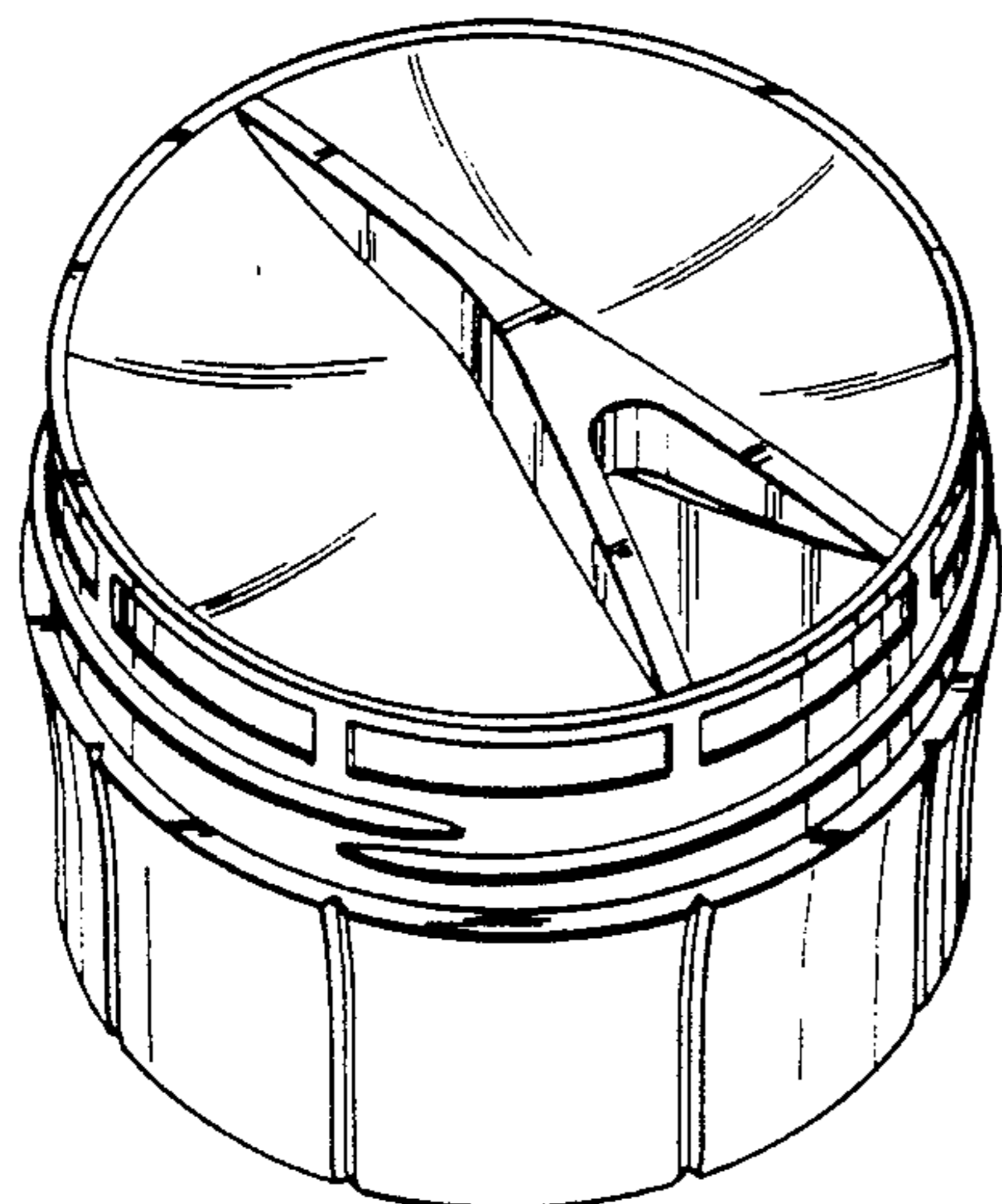


Fig. 10

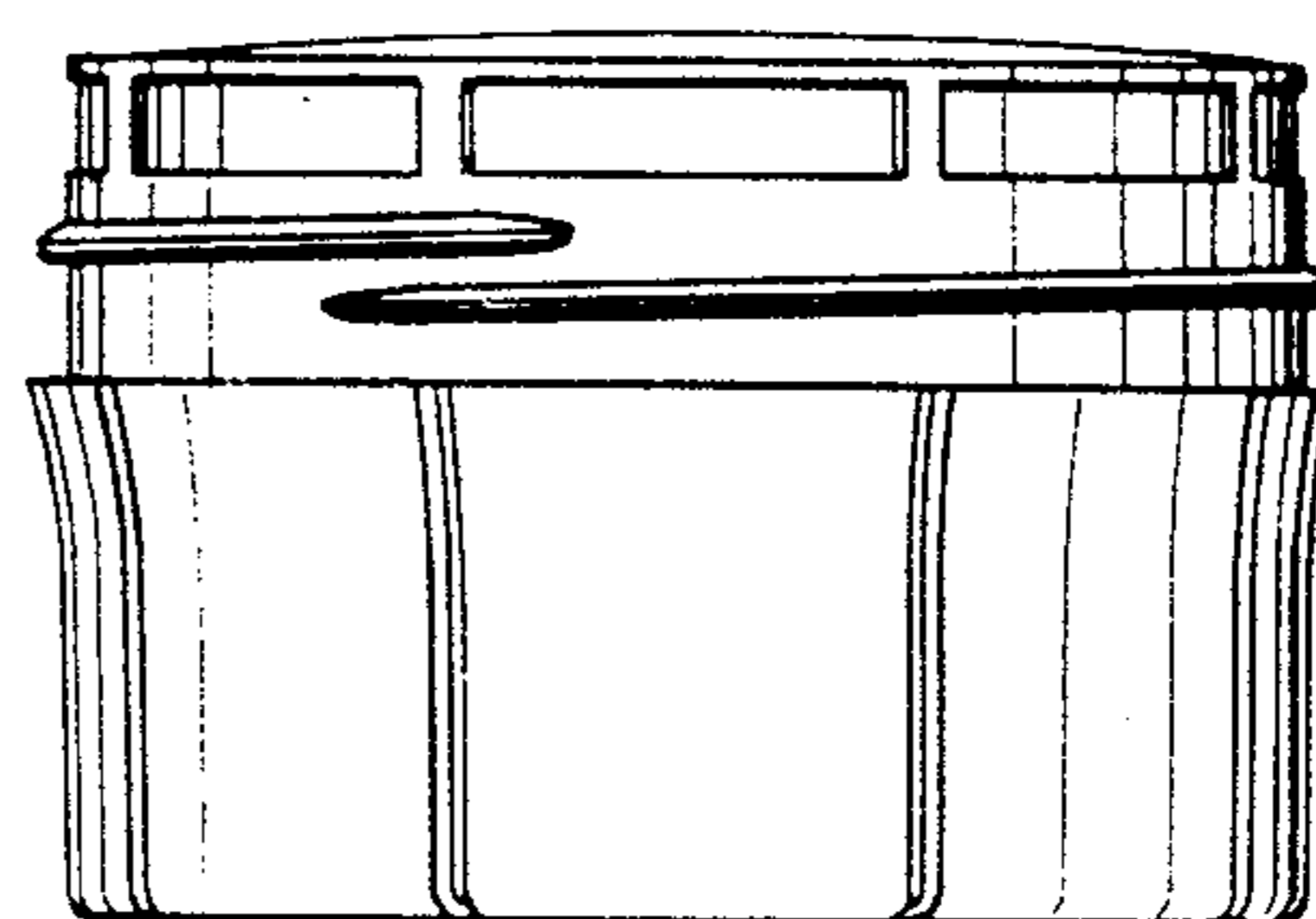


Fig. 12

Fig. 11

