

[54] **STACKABLE CONTAINER FOR FLUIDS**

[75] Inventor: **Romilly H. Humpries**, Dover, Mass.

[73] Assignee: **S.A.Y. Industries, Inc.**, Leominster, Mass.

[**] Term: **14 Years**

[21] Appl. No.: **645,028**

[22] Filed: **Aug. 28, 1984**

[52] U.S. Cl. **D9/374**

[58] Field of Search **D9/376, 447, 449, 374, D9/301, 378; 215/1 R, 1 C**

[56] **References Cited**

U.S. PATENT DOCUMENTS

D. 202,744	11/1965	Greenwell	D9/374
D. 205,166	6/1966	Price	D9/374
D. 249,701	9/1978	Maples et al.	D9/447 X
D. 274,699	7/1984	Epperson	D9/376 X
D. 282,958	3/1986	Carlson	D9/374 X

D. 283,313 4/1986 Taylor D9/447

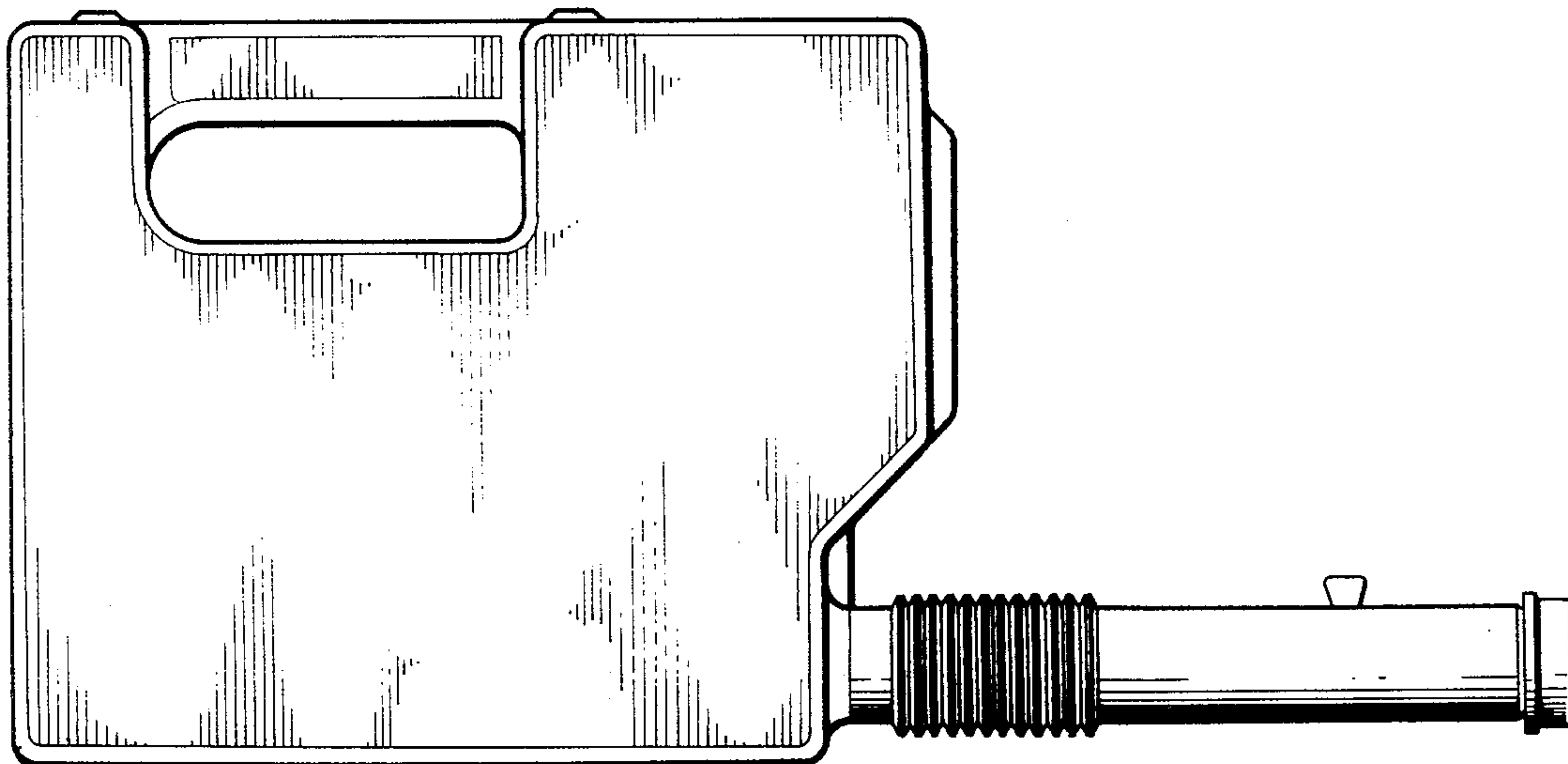
Primary Examiner—Robert C. Spangler
Attorney, Agent, or Firm—Wolf, Greenfield & Sacks

[57] **CLAIM**

The ornamental design for a stackable container for fluids, as shown and described.

DESCRIPTION

FIG. 1 is a top perspective view of a stackable container for fluids showing my new design;
FIG. 2 is a top plan view;
FIG. 3 is a side elevational view;
FIG. 4 is a side elevational view showing the side opposite that seen in FIG. 3;
FIG. 5 is a bottom plan view;
FIG. 6 is a front elevational view;
FIG. 7 is a rear elevational view thereof; and
FIG. 8 is top perspective view of the stackable container of FIG. 1 but showing the nozzle in a locked position.



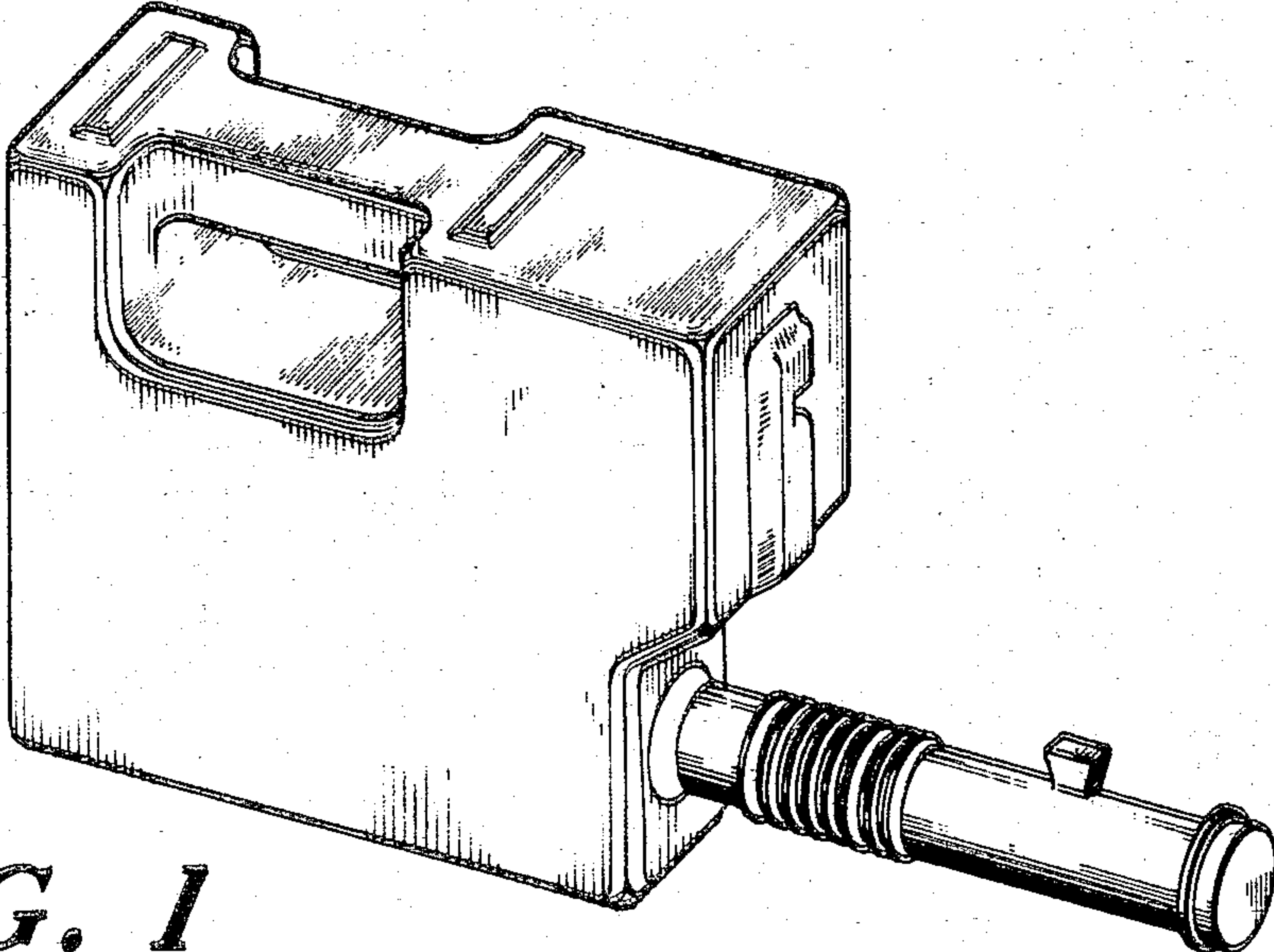


FIG. 1

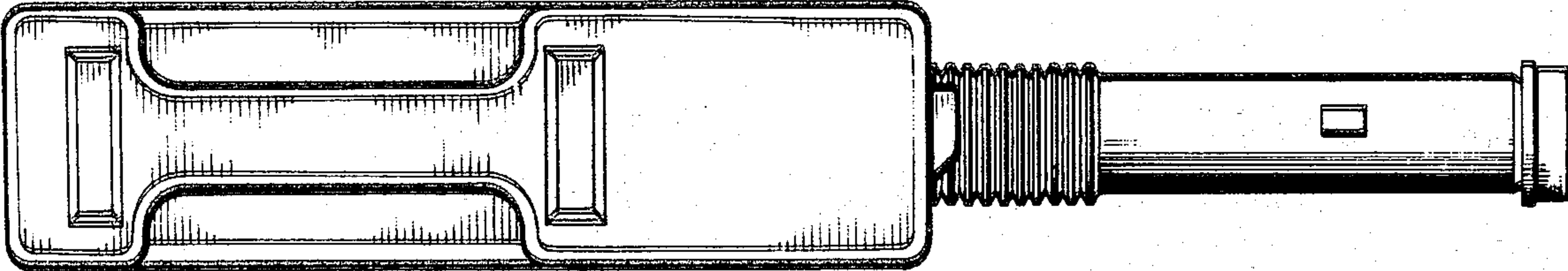


FIG. 2

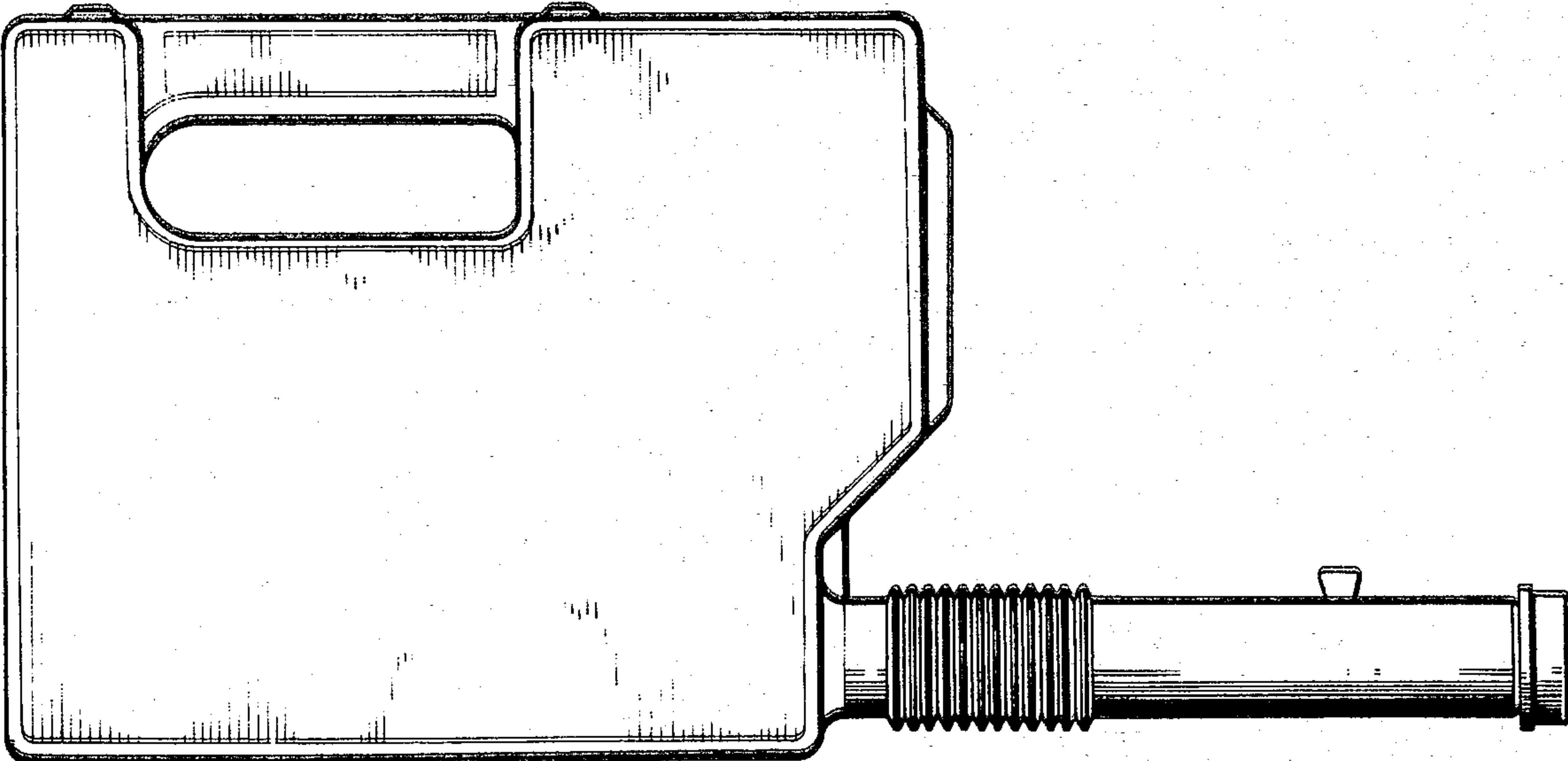


FIG. 3

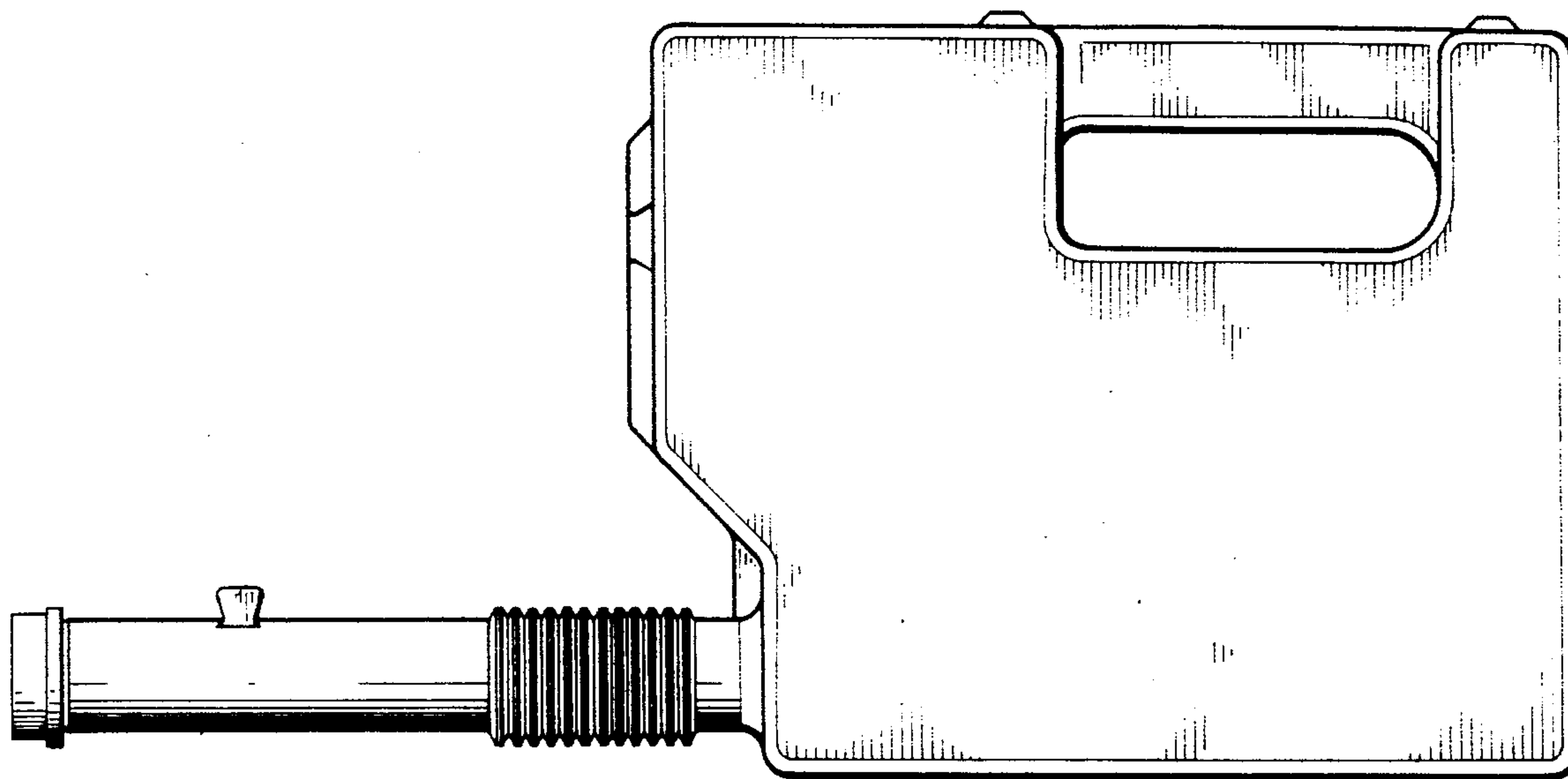


FIG. 4

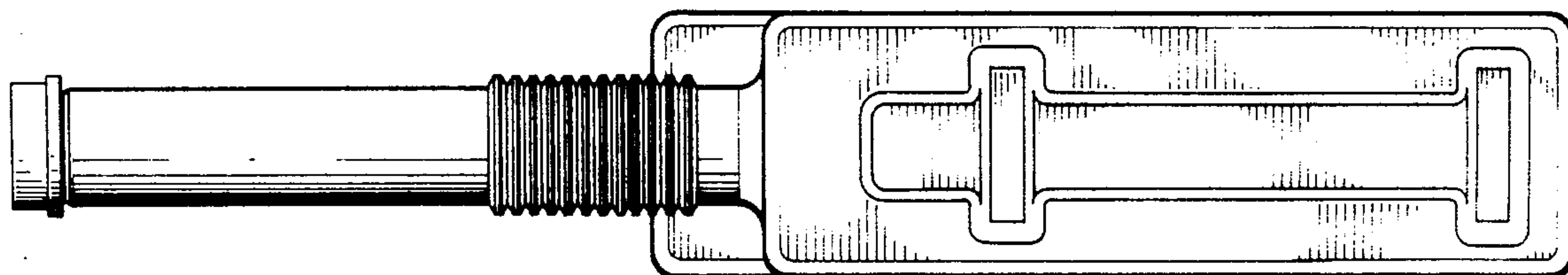


FIG. 5

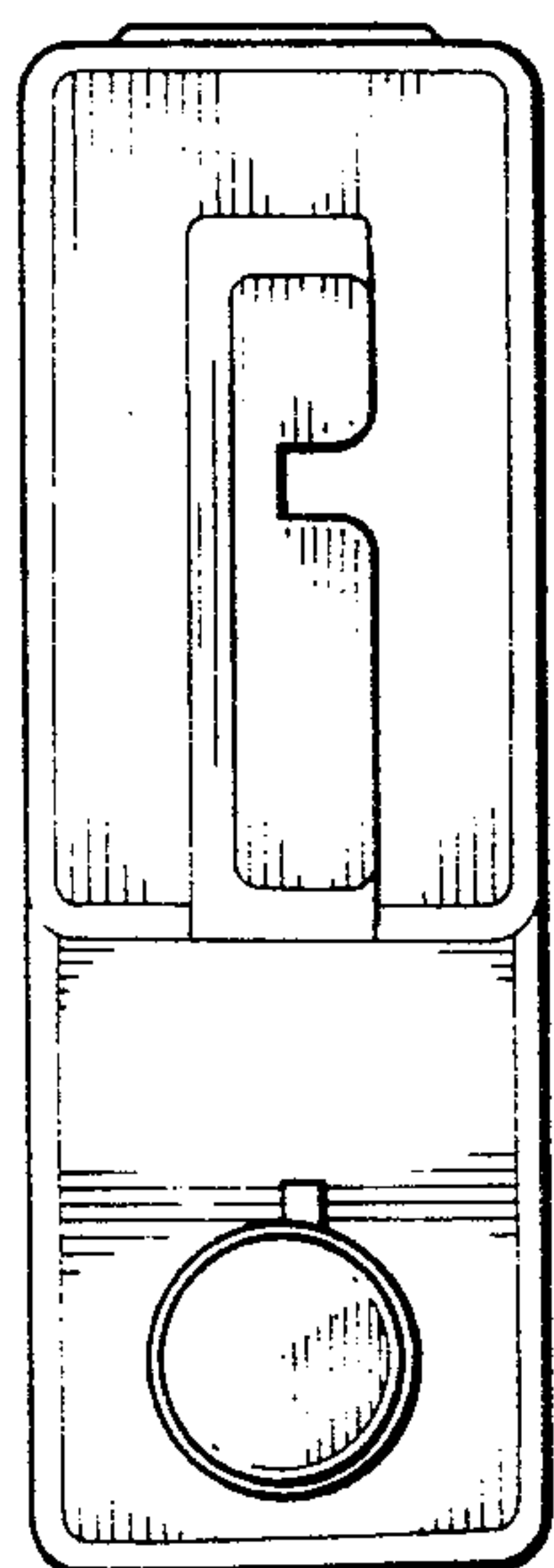


FIG. 6

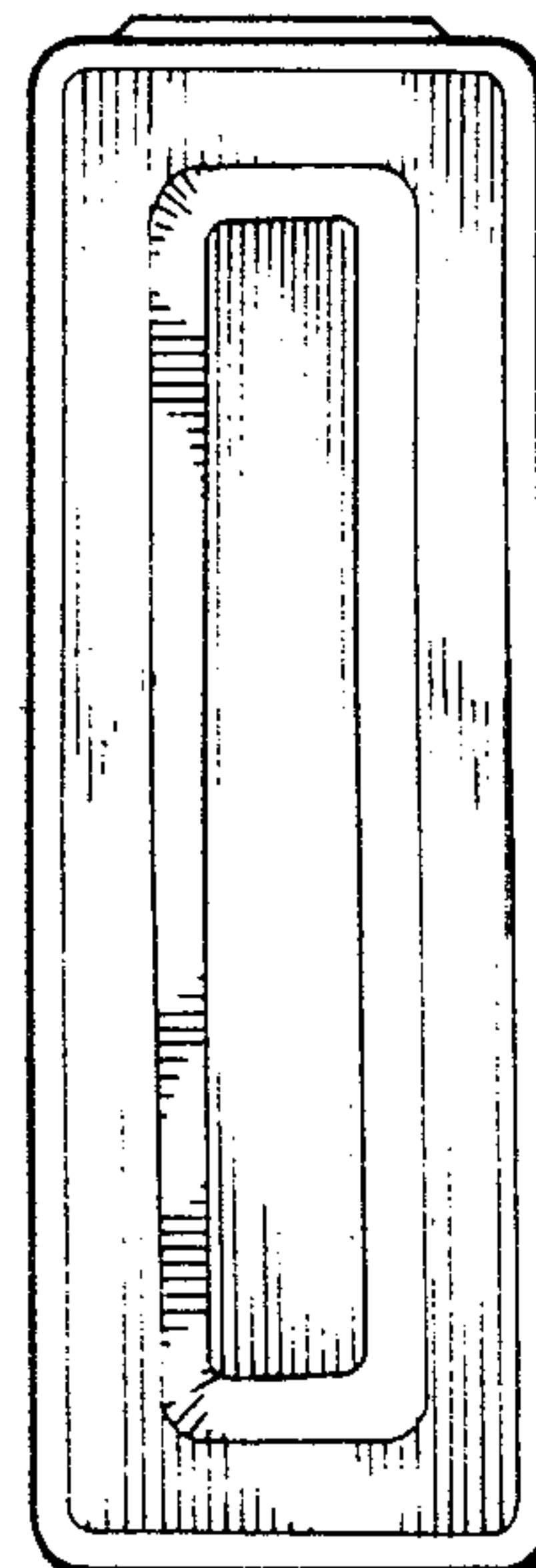


FIG. 7

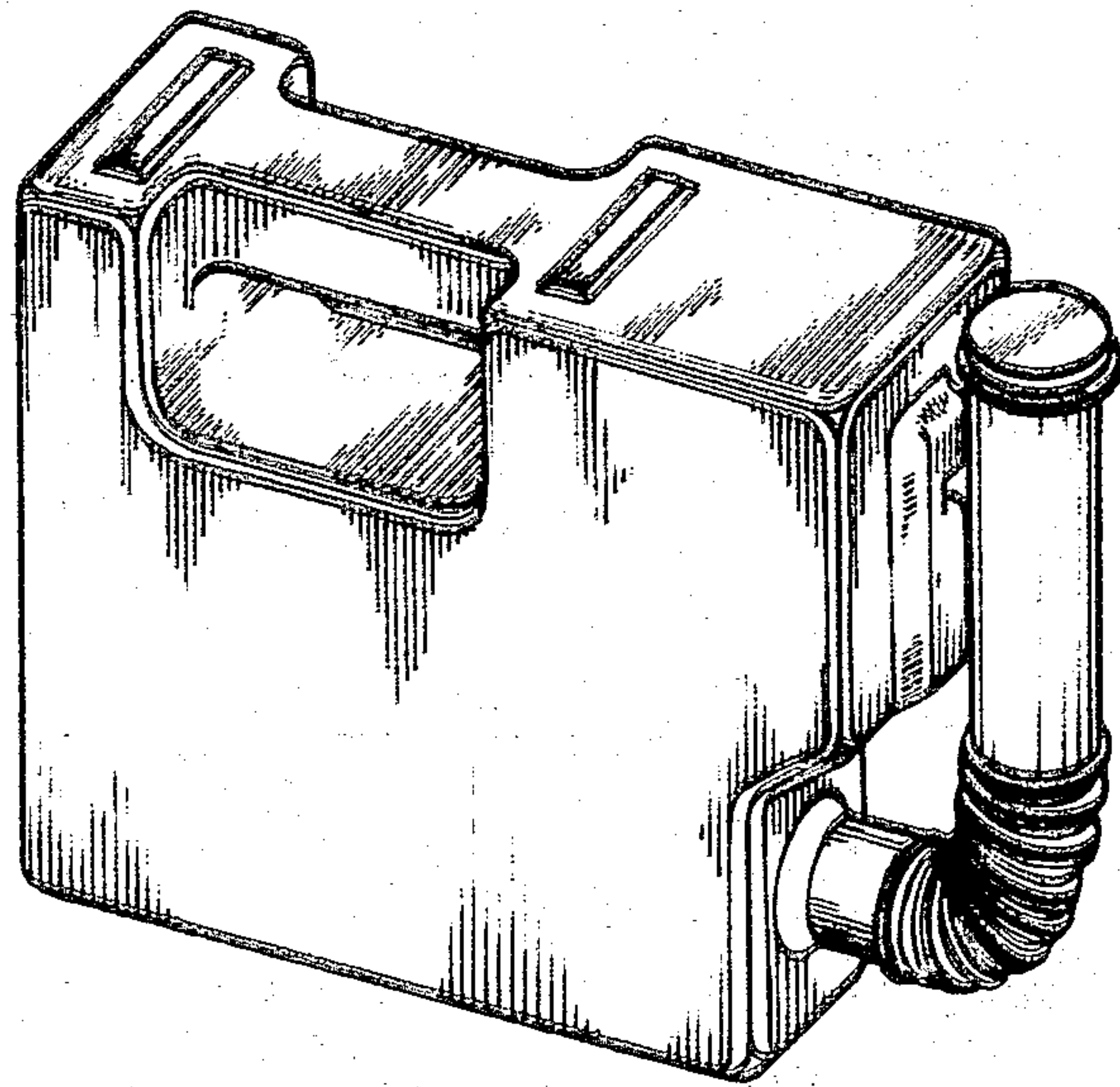


FIG. 8