

United States Patent [19]

Hamilton et al.

[11] Patent Number: **Des. 289,974**

[45] Date of Patent: **** May 26, 1987**

[54] **PACKAGING CONTAINER FOR BOTTLES**

[75] Inventors: **Leslie Hamilton**, Trenton; **Robert D. Holewinski**, Lakehurst; **William J. Blatherwick**, Hamilton Square, all of N.J.

[73] Assignee: **Johnson & Johnson Dental Products Co.**, New Brunswick, N.J.

[**] Term: **14 Years**

[21] Appl. No.: **597,898**

[22] Filed: **Apr. 9, 1984**

[52] U.S. Cl. **D9/341; D9/369; D9/418; D9/431; D9/455**

[58] Field of Search **D9/418, 341, 424, 432, D9/431, 369, 455; D28/61, 73, 85; 206/44 R, 45.33, 45.31, 45.14**

[56] **References Cited**

U.S. PATENT DOCUMENTS

D. 87,575 8/1932 Heile D9/418
D. 92,592 6/1934 Devendorf D9/431

D. 98,243 1/1936 Flaster D28/61
D. 117,560 11/1939 Grullemans D9/369 X
D. 120,125 4/1940 Korda D9/341
D. 150,138 7/1948 Hollett D9/455
D. 162,766 4/1951 Wray D28/73 X
D. 181,080 9/1957 Tomarin D9/455
D. 259,253 5/1981 Nelson D9/418
D. 267,544 1/1983 Neto et al. D9/431
3,987,892 10/1976 Killy 206/538 X

Primary Examiner—Robert C. Spangler

[57] CLAIM

The ornamental design for a packaging container for bottles, as shown.

DESCRIPTION

FIG. 1 is a top perspective view of a packaging container for bottles showing our new design;
FIG. 2 is an end elevational view;
FIG. 3 is a top plan view;
FIG. 4 is a side elevational view;
FIG. 5 is a bottom plan view; and
FIG. 6 is a view similar to FIG. 1 but showing three bottles in broken lines to illustrate environmental use only.

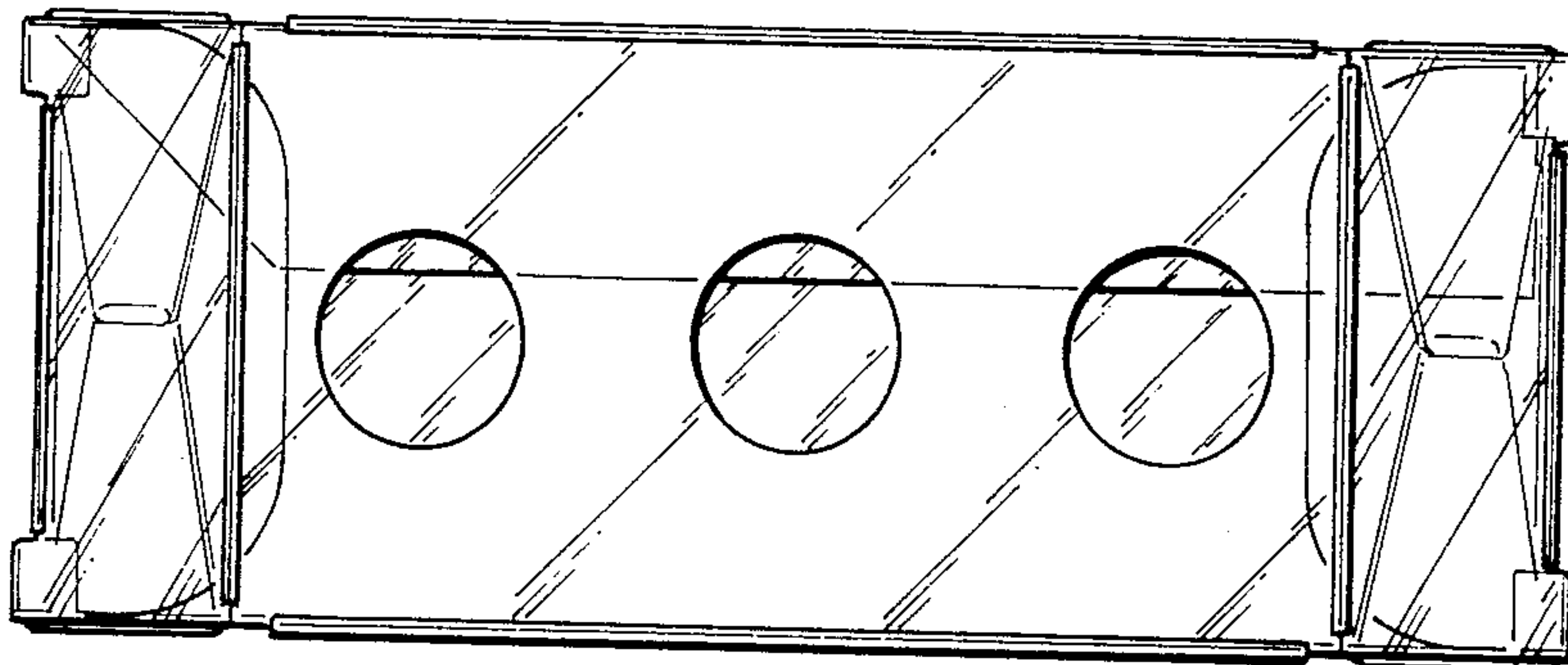


FIG-1

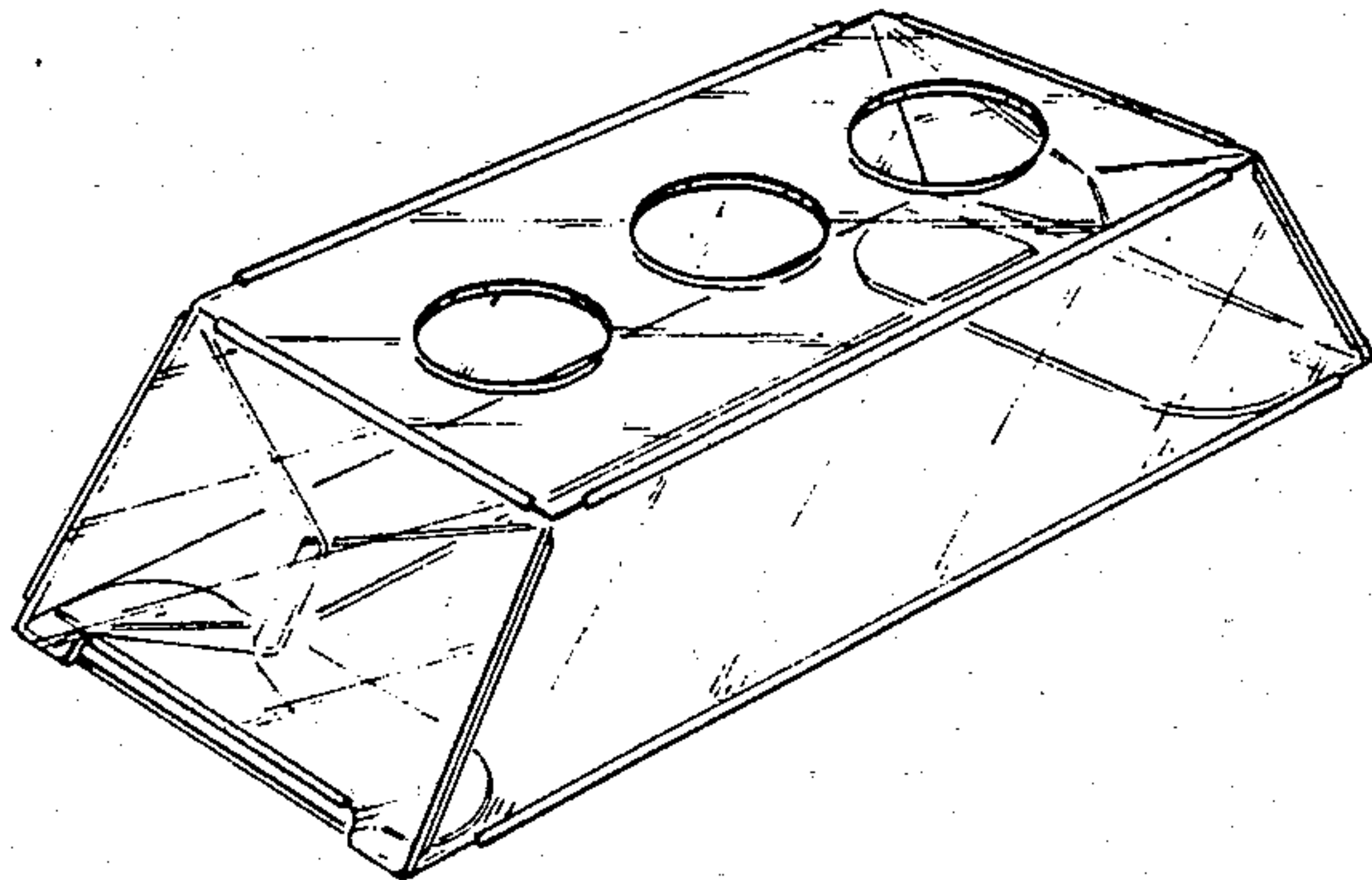


FIG-2

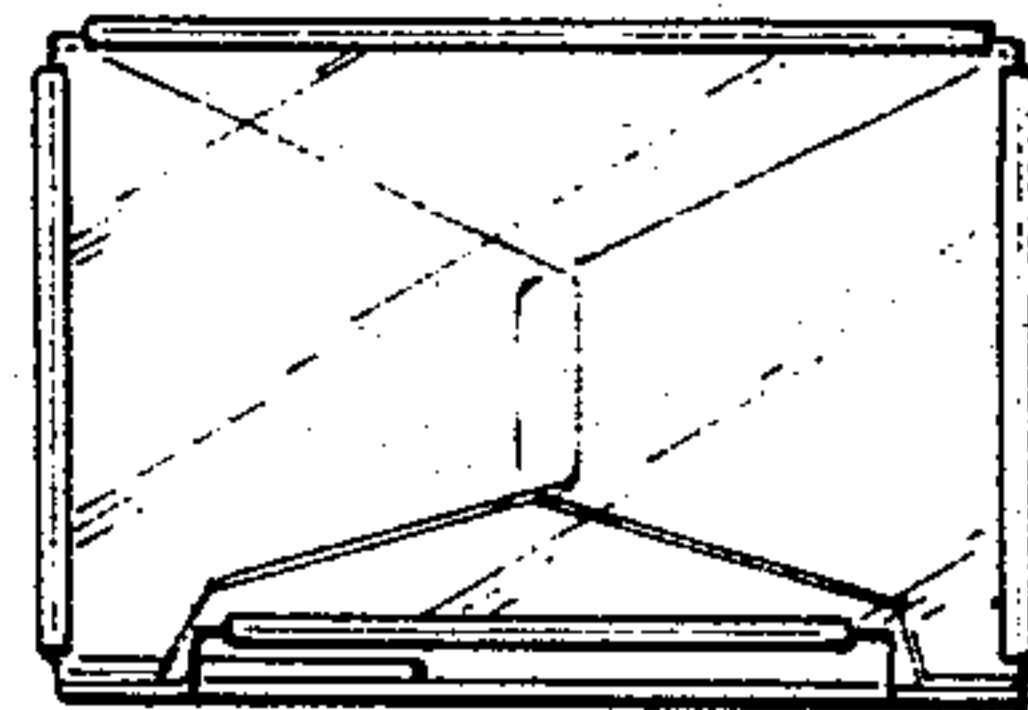


FIG-3

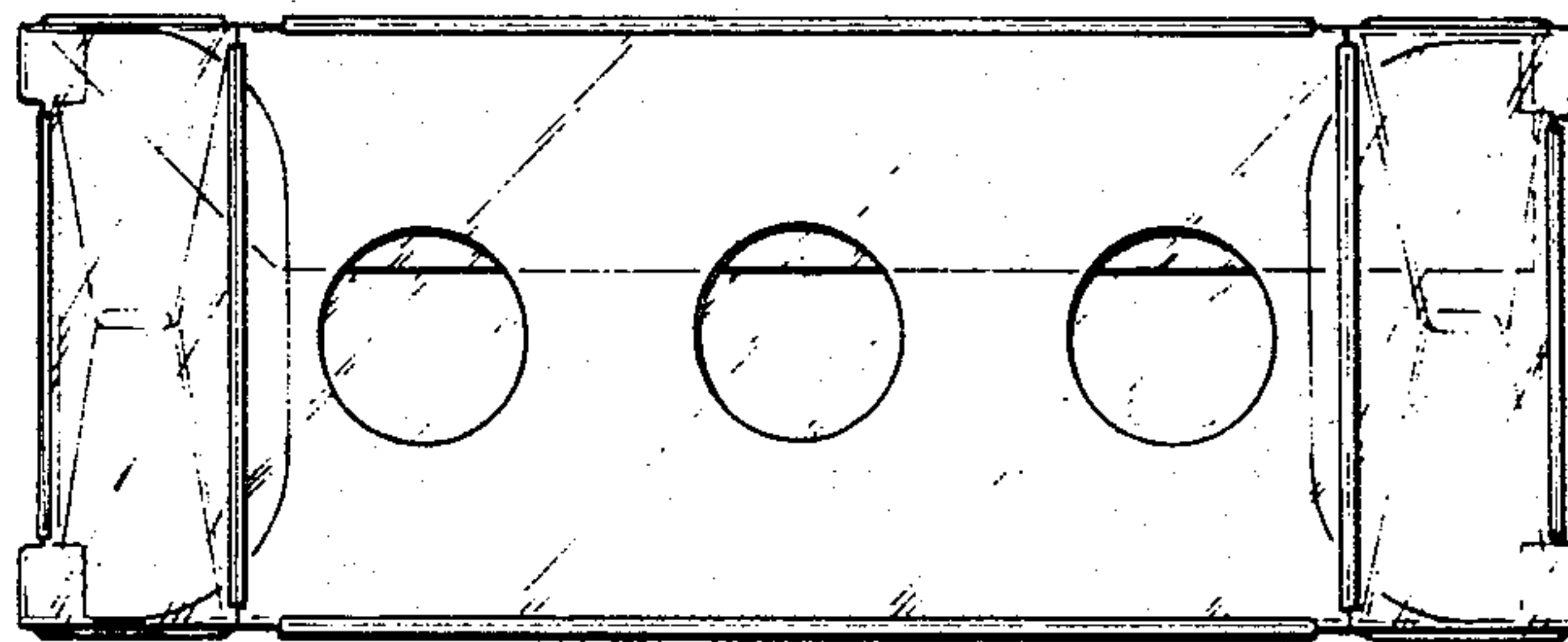


FIG-4

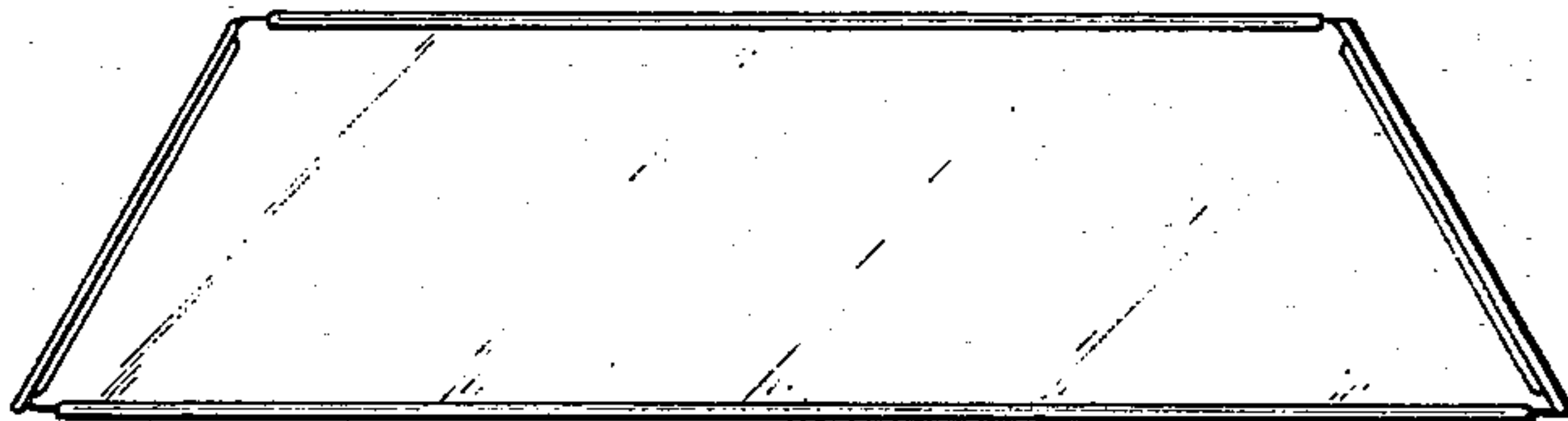


FIG-5

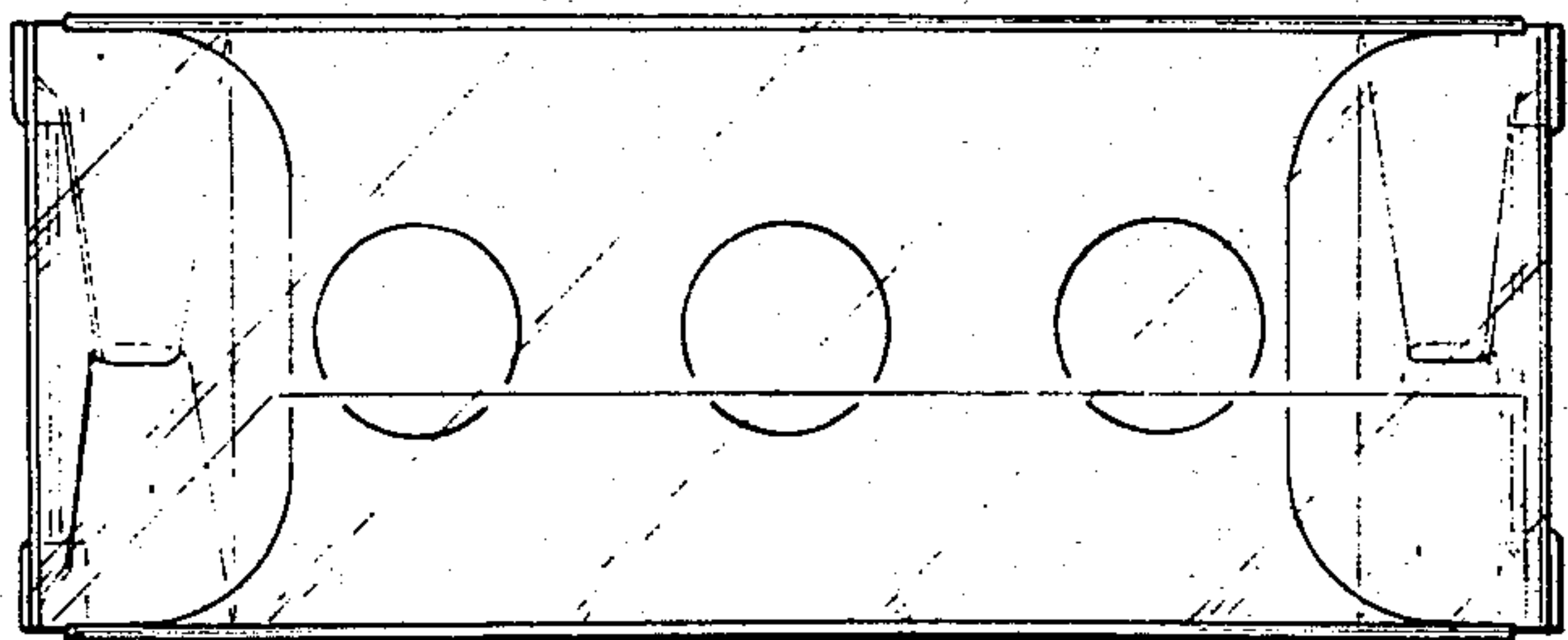


FIG-6

