

[54] PROTECTIVE GUARD FOR DOOR HANDLE

[75] Inventor: Lloyd W. Carter, Sturgis, Mich.

[73] Assignee: Carter Associates, Inc., Sturgis, Mich.

[\*\*] Term: 14 Years

[21] Appl. No.: 739,245

[22] Filed: May 30, 1985

[52] U.S. Cl. .... D8/350; D8/400

[58] Field of Search ..... D8/350, 400, 402; 292/357, 347, 346, 1; 16/1, 121; 220/3.3

[56] References Cited

U.S. PATENT DOCUMENTS

D: 186,083	9/1959	Mair	.....	D8/350
245,969	8/1881	Montague et al.	.....	292/357
2,642,302	6/1953	Young	.....	292/357
4,460,204	7/1984	Olsen	.....	292/357

FOREIGN PATENT DOCUMENTS

2325911 12/1974 Fed. Rep. of Germany ..... 220/3.3

Primary Examiner—B. J. Bullock

Attorney, Agent, or Firm—Flynn, Thiel, Boutell & Tanis

[57] CLAIM

The ornamental design for a protective guard for door handle, as shown and described.

DESCRIPTION

FIG. 1 is a front perspective view of a protective guard for door handle showing my design;

FIG. 2 is a front elevational view thereof, the rear being unornamented;

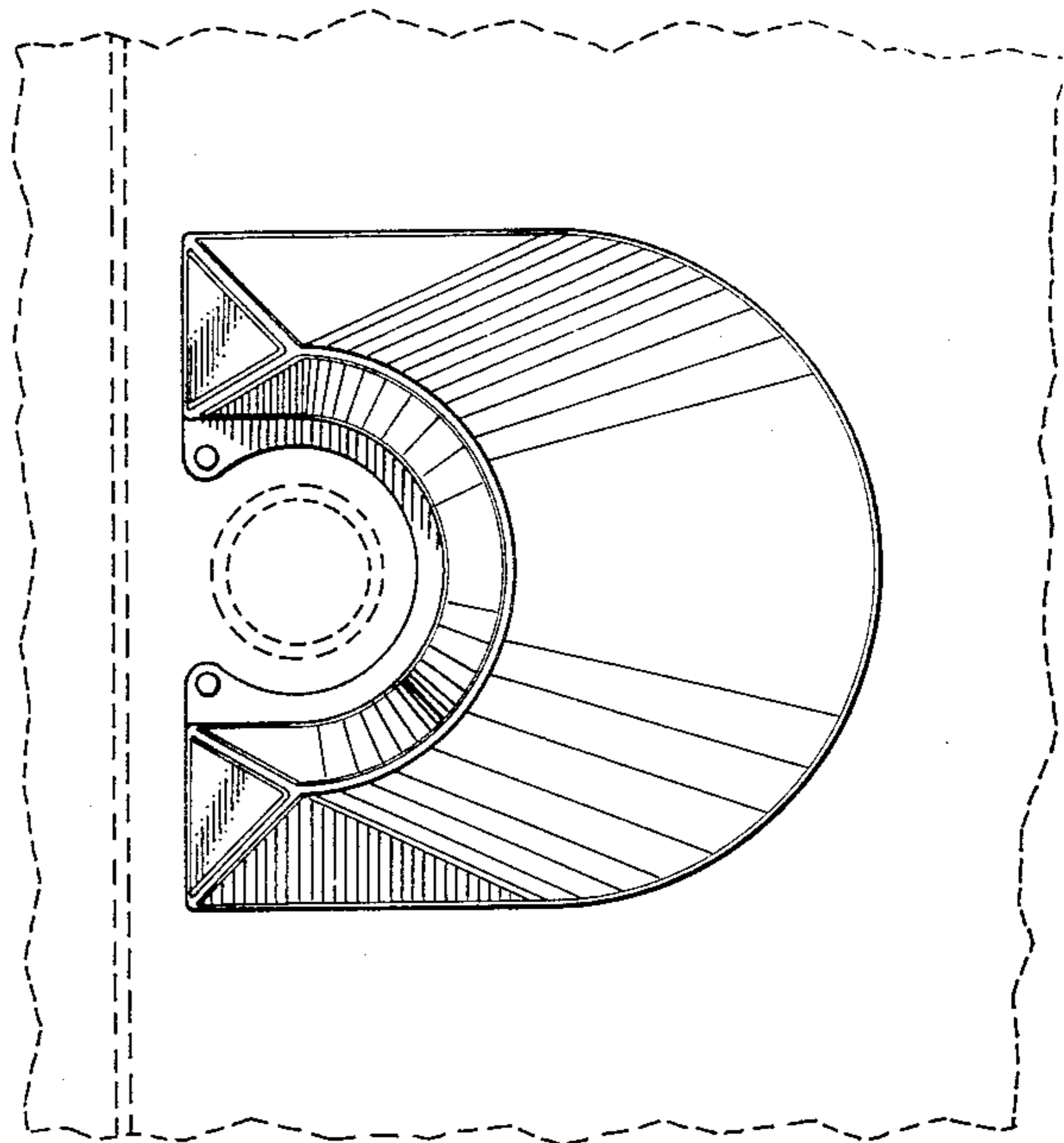
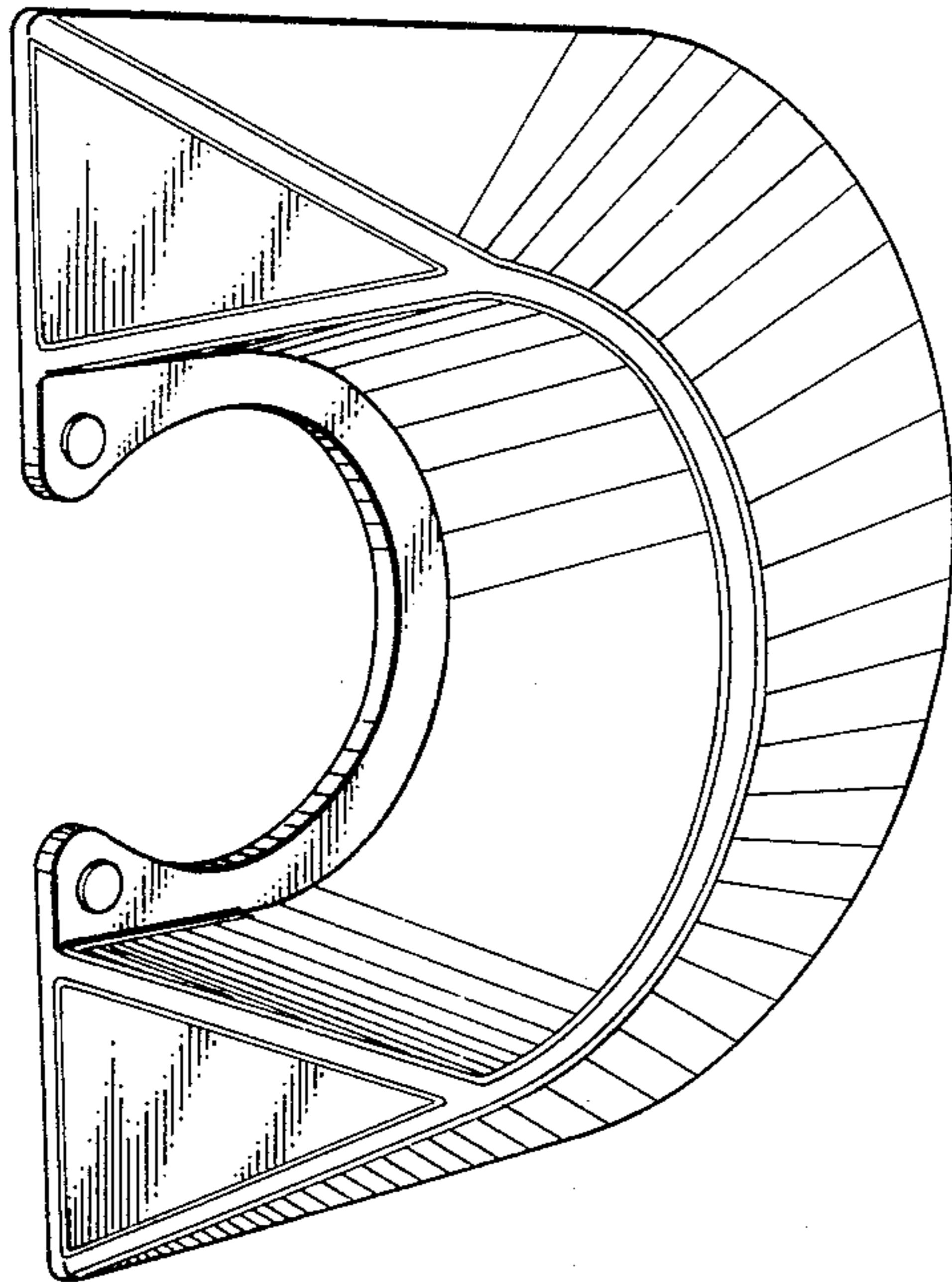
FIG. 3 is a right side elevational view thereof;

FIG. 4 is a left side elevational view thereof;

FIG. 5 is a top plan view thereof, the bottom being a mirror image thereof;

FIG. 6 is a sectional view taken in the direction of the arrows on line VI—VI of FIG. 2;

FIG. 7 is a reduced front elevational view thereof, the knob and portion of the door being shown in broken lines for illustrative purposes only.



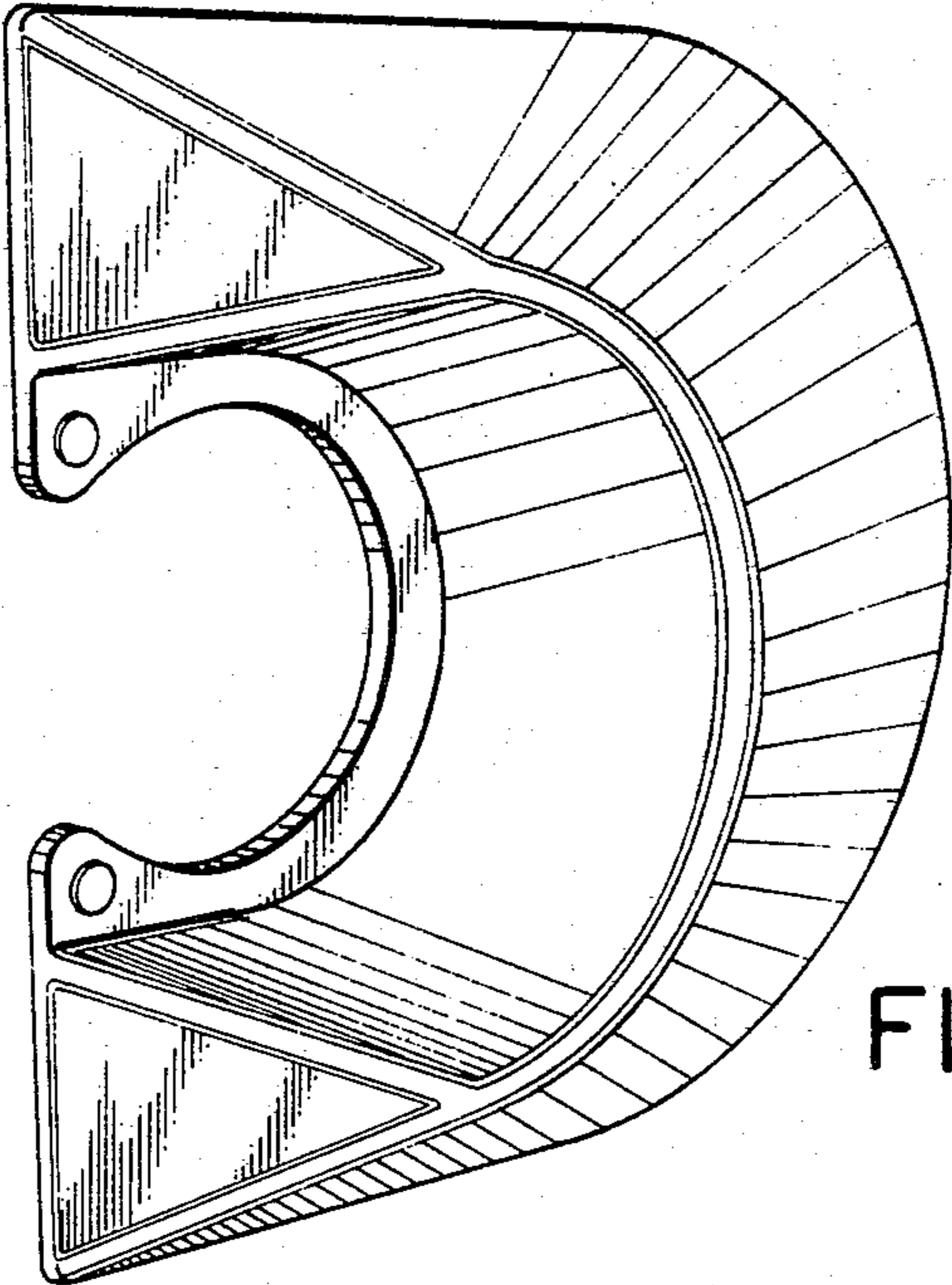


FIG. 1

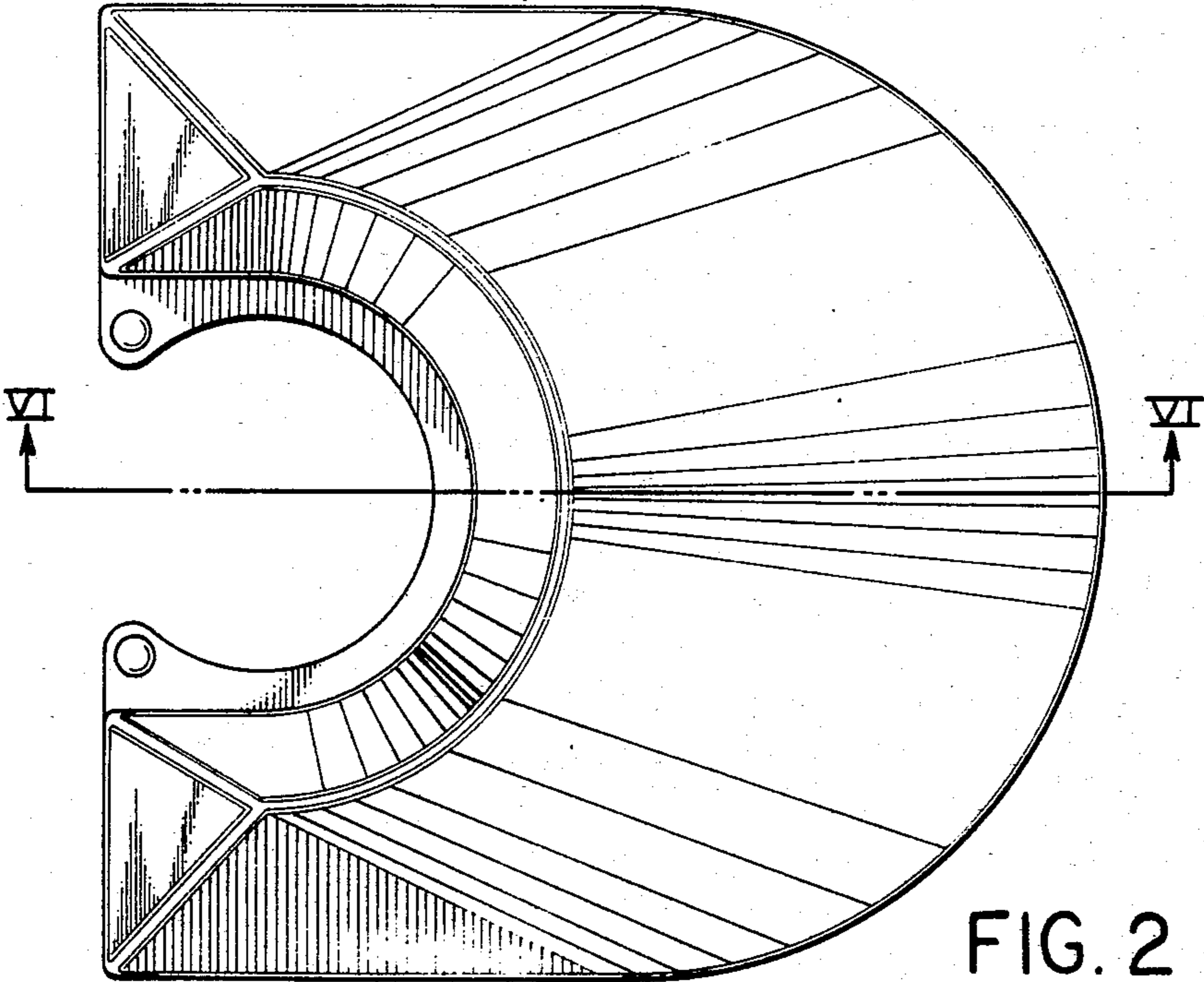


FIG. 2

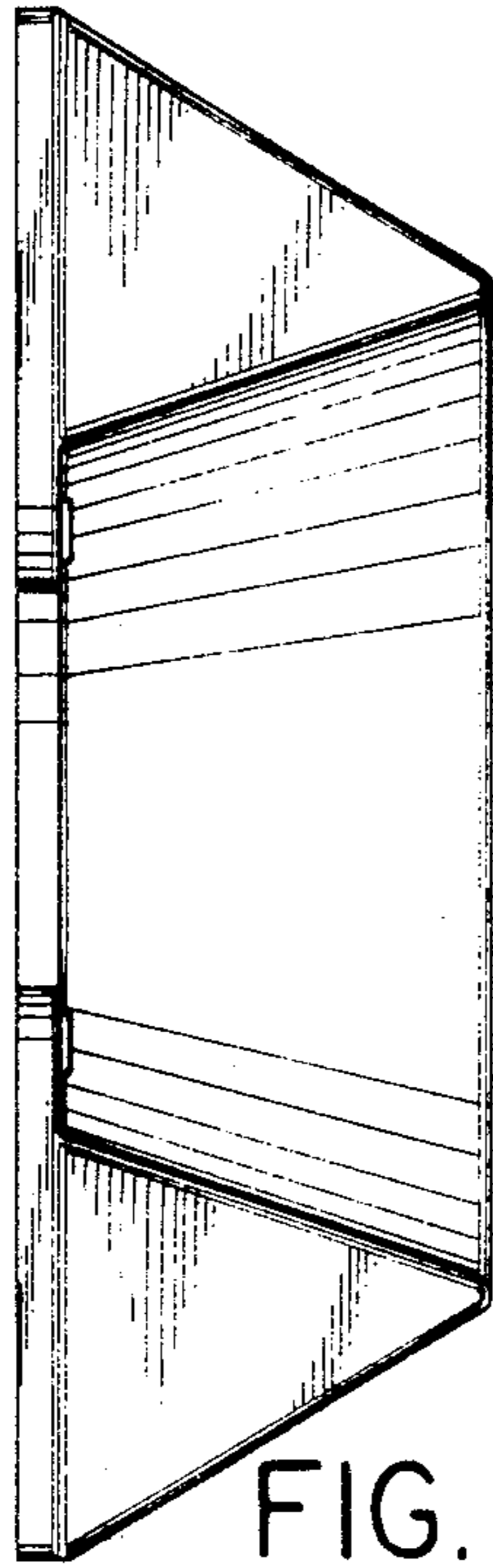


FIG. 4

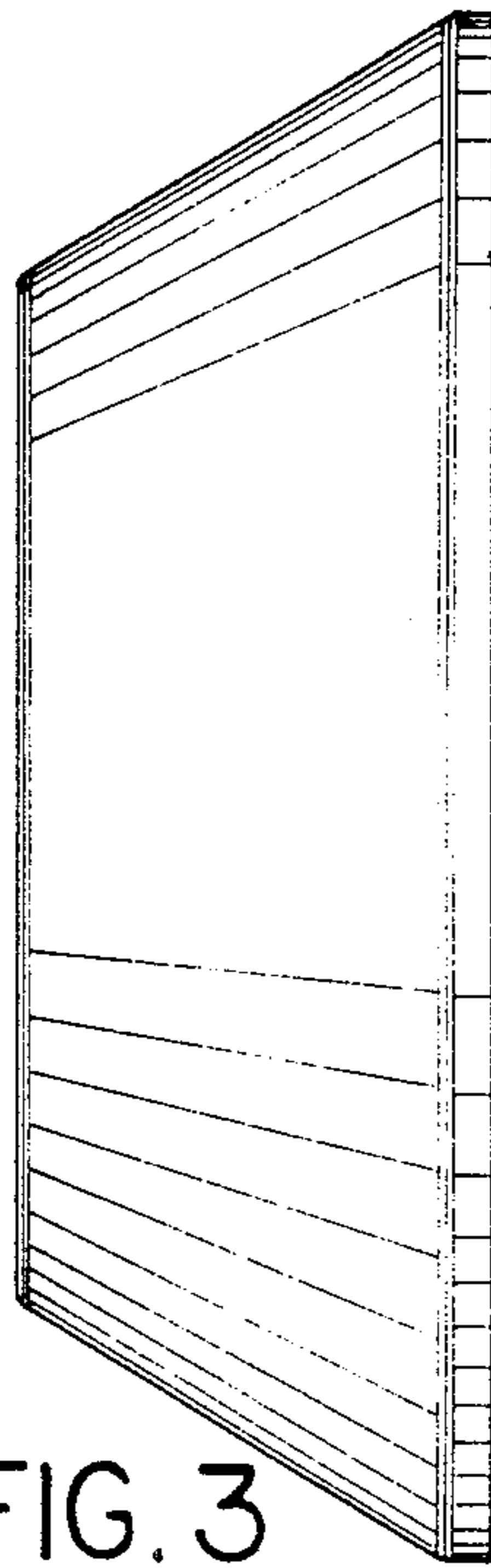


FIG. 3

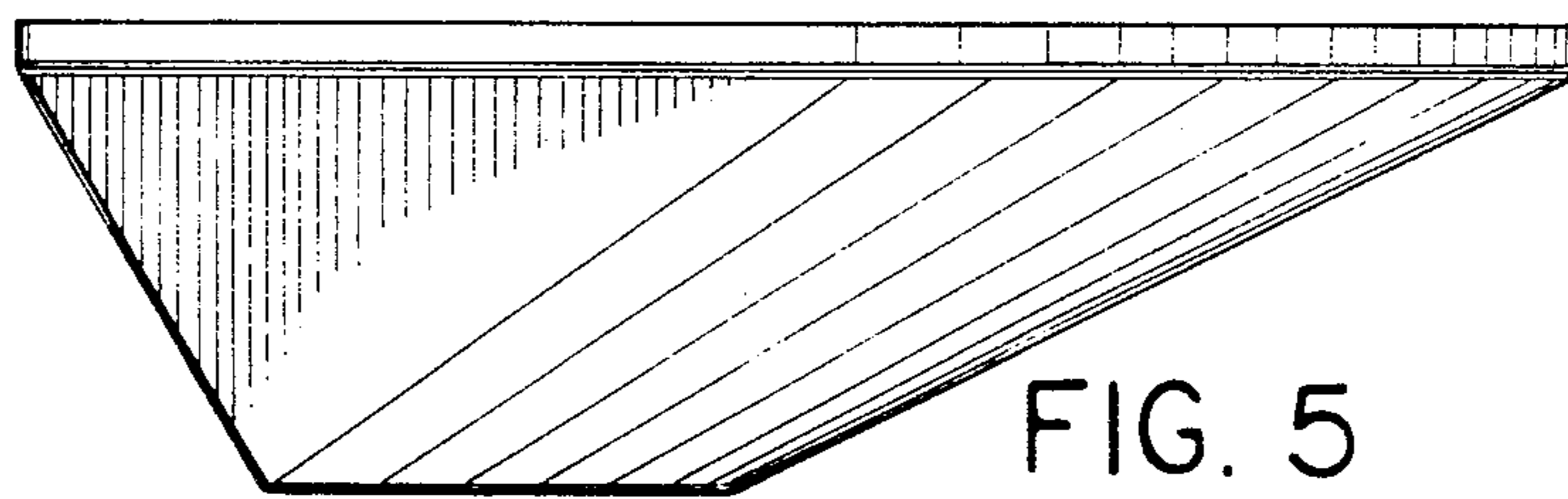


FIG. 5

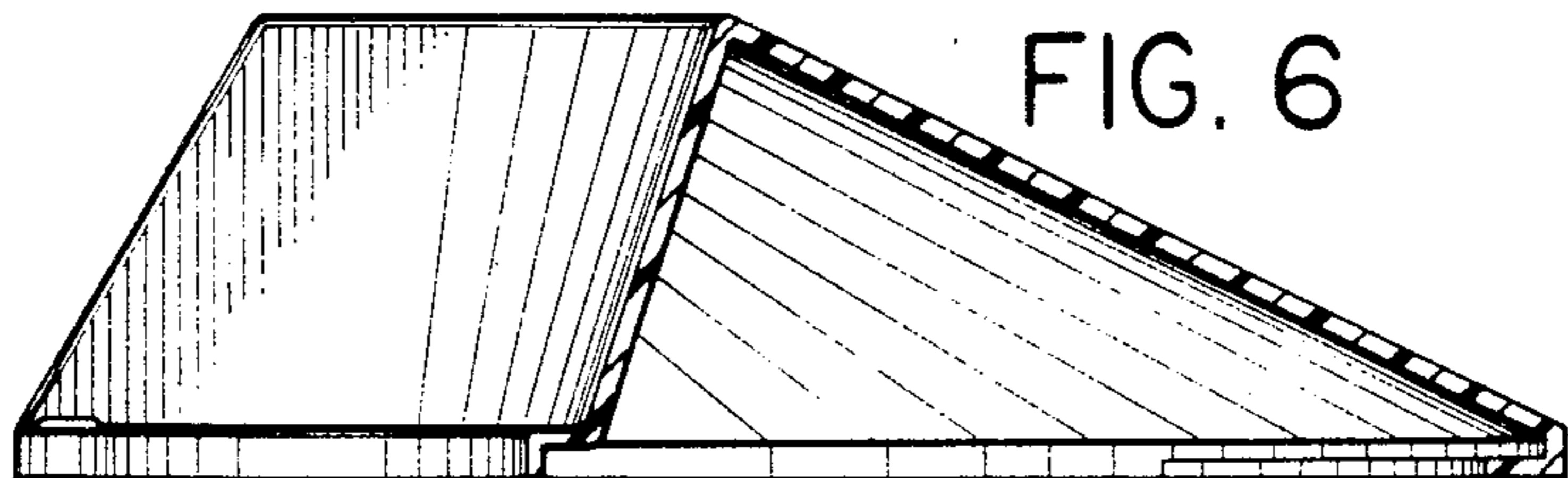


FIG. 6

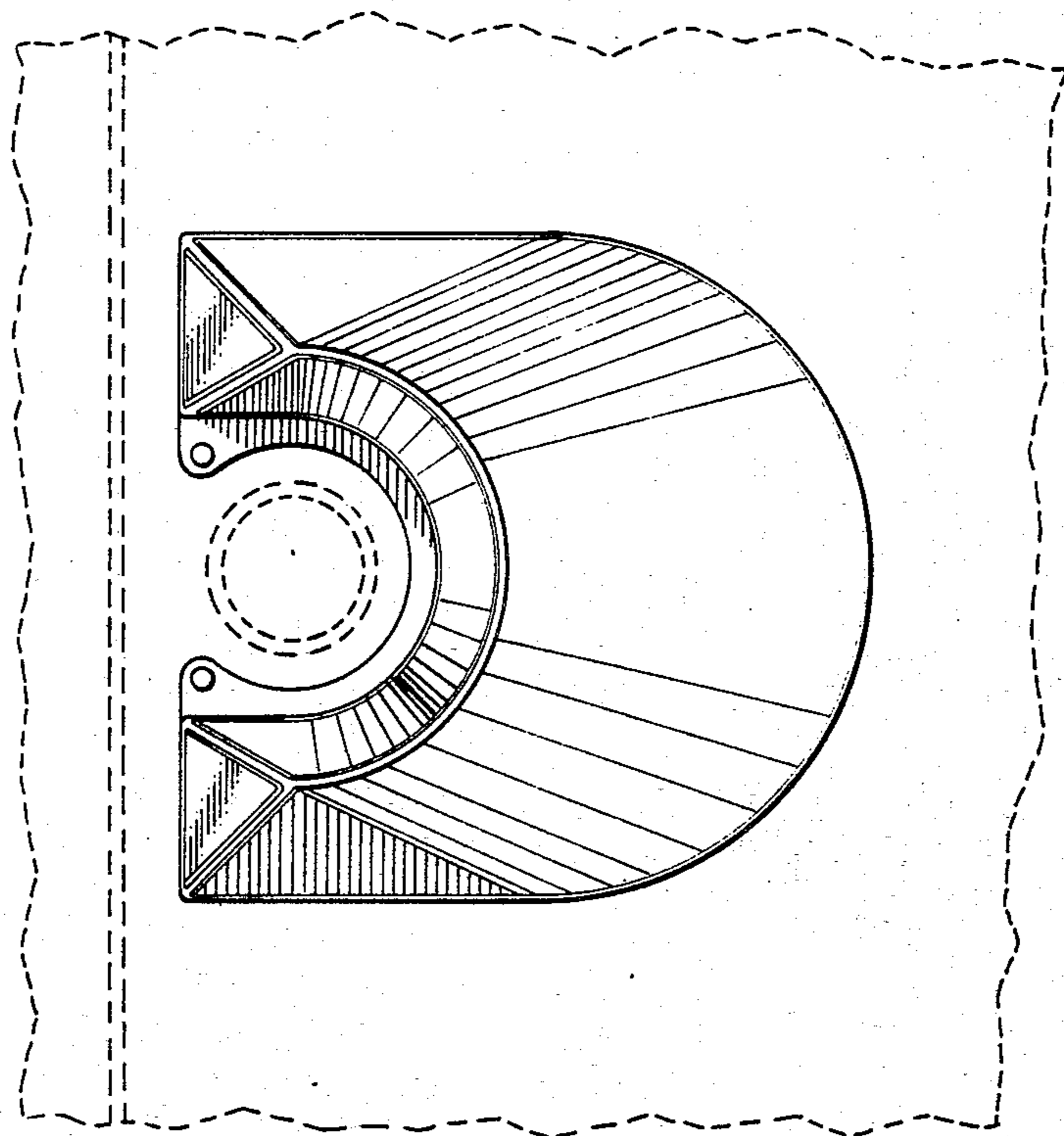


FIG. 7