

[54] **CURVED SHOE FOR IN-LINE SANDER**

[76] **Inventor: Dale F. DeRosier, P.O. Box 811,
 Monticello, Minn. 55362**

[**] **Term: 14 Years**

[21] **Appl. No.: 592,466**

[22] **Filed: Mar. 22, 1984**

[52] **U.S. Cl. D8/90**

[58] **Field of Search D8/70, 90, 94; D15/139;
 51/170 TL, 391, 392, 393, 358, 389, 390**

3,732,651 5/1973 Rodstein .
 3,964,213 6/1976 Tobey 51/392
 4,007,510 2/1977 Scoggin, Jr. .
 4,137,670 2/1979 Goralski 51/392

Primary Examiner—Susan J. Lucas
Assistant Examiner—Clare E. Heflin
Attorney, Agent, or Firm—Merchant, Gould, Smith,
 Edell, Welter & Schmidt

[57] **CLAIM**

The ornamental design for a curved shoe for in-line sander, as shown and described.

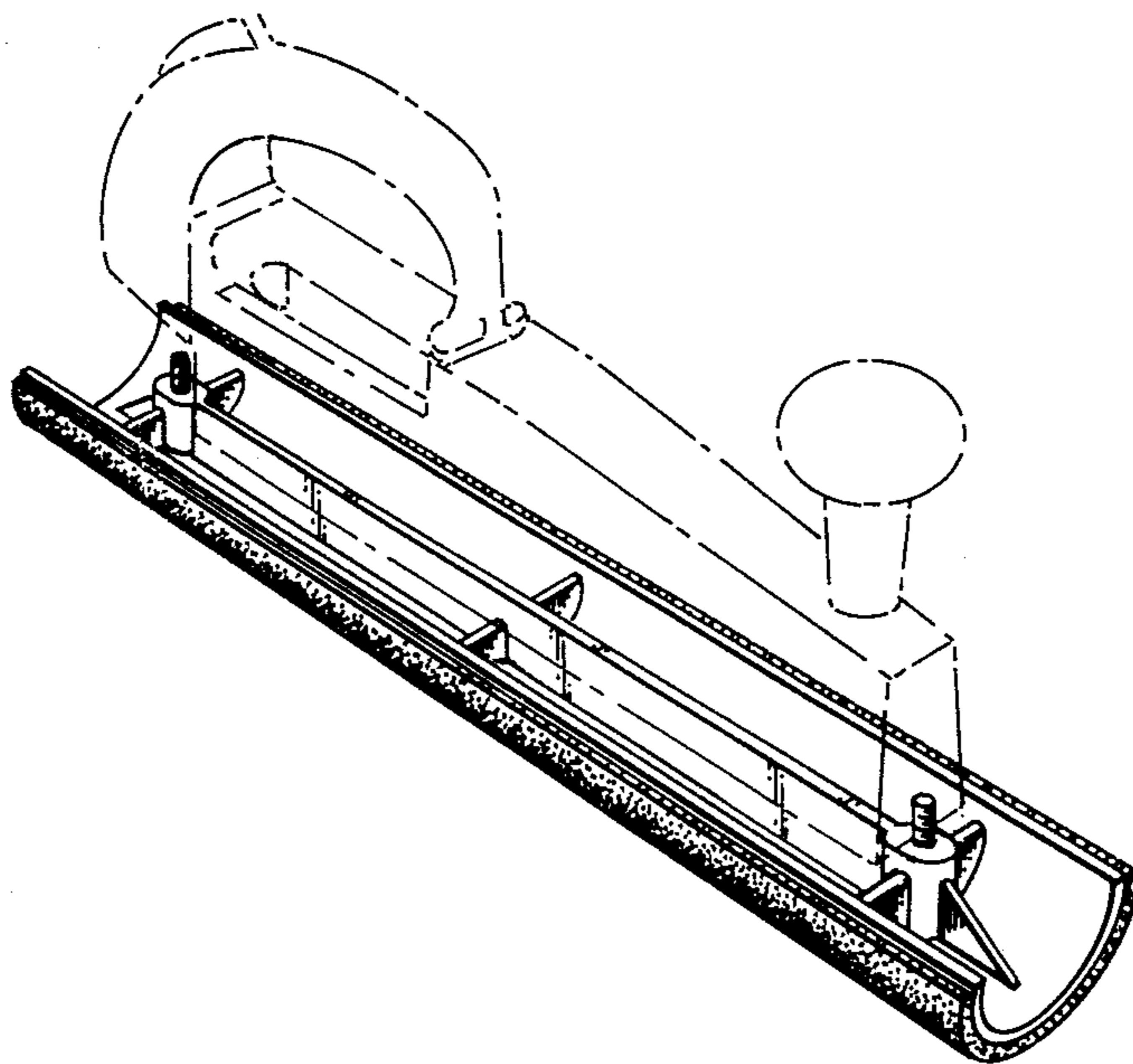
[56] **References Cited**

U.S. PATENT DOCUMENTS

D. 260,357	8/1981	Brannan .	
1,544,368	6/1925	Brennan	51/392 X
2,285,874	6/1942	Ross	51/391 X
2,689,436	12/1950	Wagner .	
3,192,678	7/1965	Buratti	51/392 X
3,498,009	3/1970	Taafe, Jr.	51/393
3,606,709	9/1971	Countryman	D8/90 X
3,673,747	7/1972	Pass	51/393 X

DESCRIPTION

FIG. 1 is a perspective view of the curved shoe for in-line sander showing my new design, with an in-line sander shown in broken lines for illustrative purposes only;
 FIG. 2 is a top plan view thereof;
 FIG. 3 is a side elevational view thereof;
 FIG. 4 is a bottom plan view thereof; and
 FIG. 5 is an end elevational view thereof, the opposite end being identical.



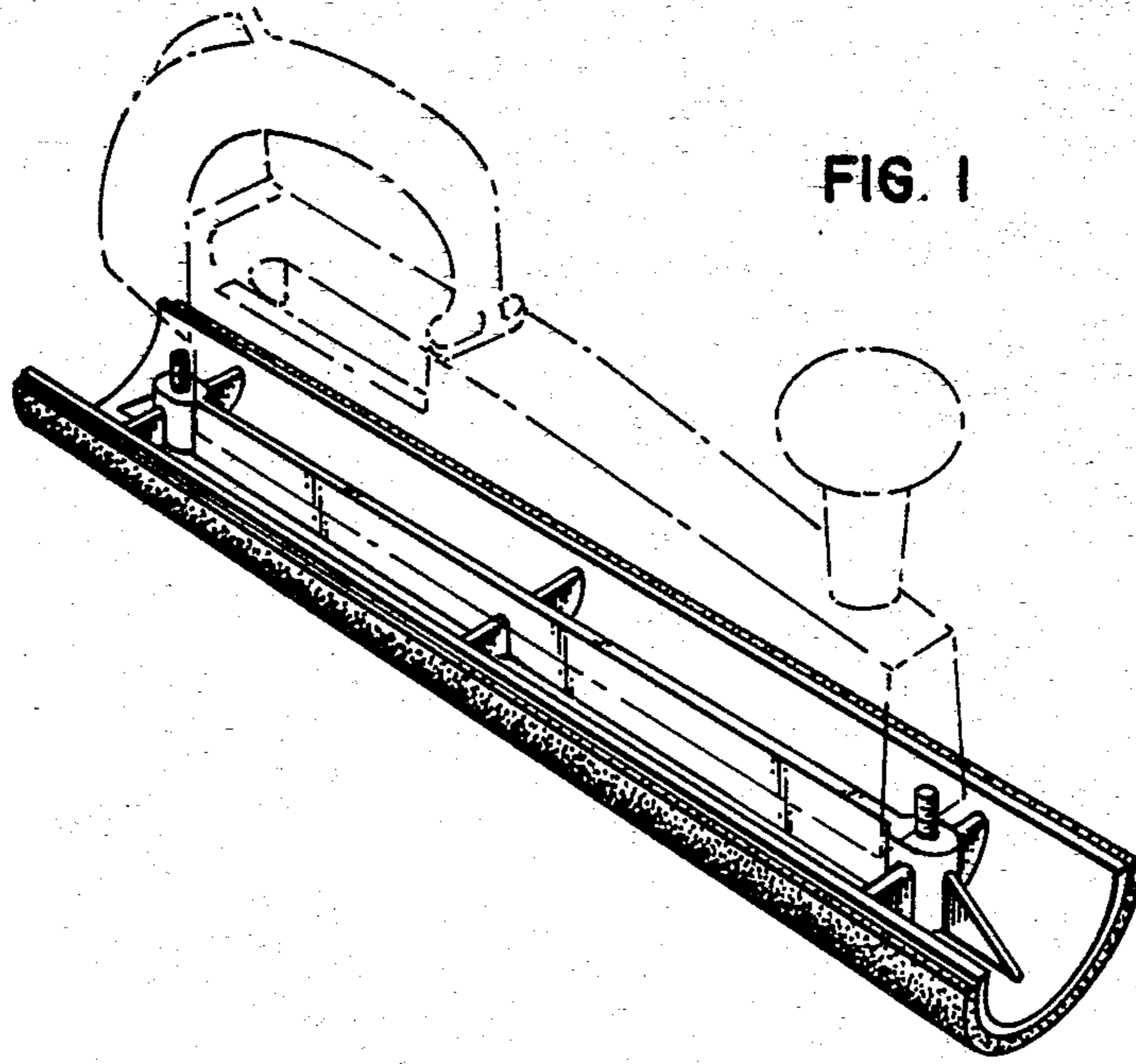


FIG. 2

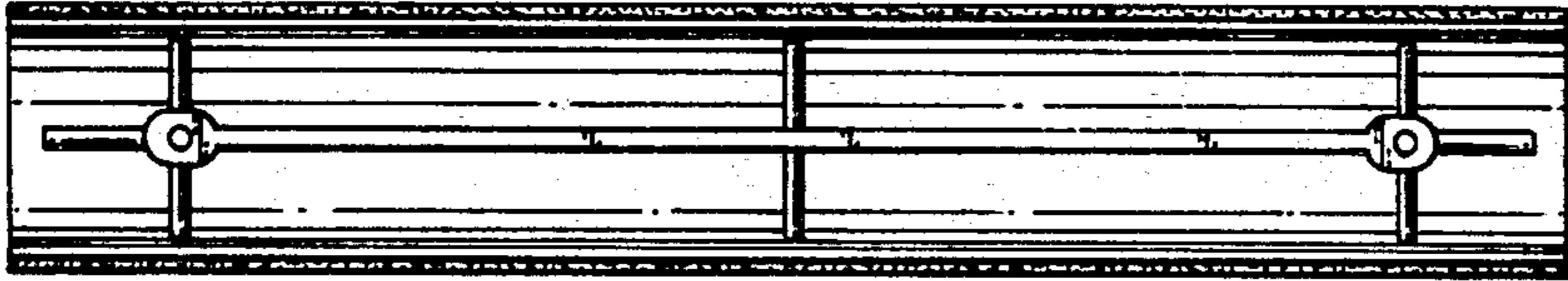


FIG. 3



FIG. 4

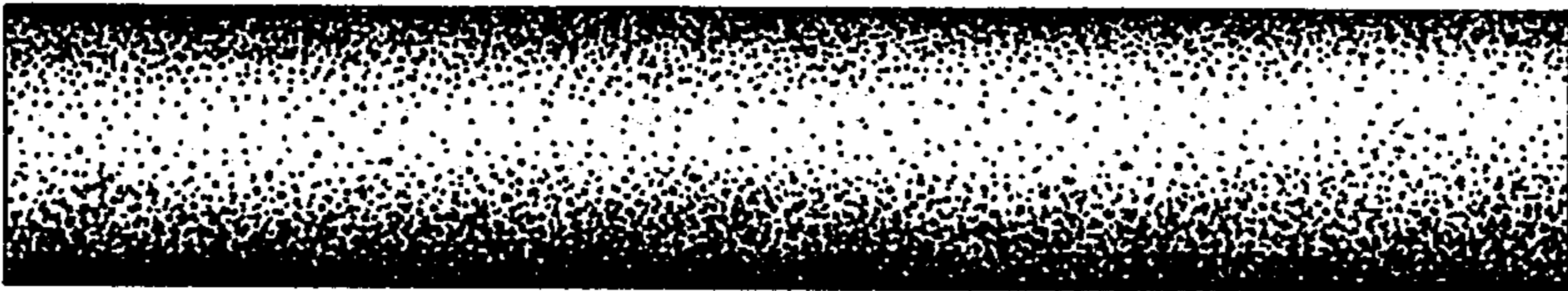


FIG. 5

