

United States Patent [19]

Green, Jr.

[11] Patent Number: **Des. 289,967**

[45] Date of Patent: **** May 26, 1987**

[54] **MOTORIZED HAND TORCH**

[75] Inventor: **Raymond M. Green, Jr., Richardson, Tex.**

[73] Assignee: **Victor Equipment Company, Denton, Tex.**

[**] Term: **14 Years**

[21] Appl. No.: **624,960**

[22] Filed: **Jun. 29, 1984**

[52] U.S. Cl. **D8/30; D8/61**

[58] Field of Search **D8/14, 14.1, 30, 61, D8/71; D15/144; 239/525, 526, 530, 588, 424.5; 219/70, 137.2, 137.31**

[56] **References Cited**

U.S. PATENT DOCUMENTS

D. 167,266	7/1952	Kuehl	D8/30
D. 214,445	6/1969	Dahlman et al.	D8/30
D. 220,308	3/1971	Cook	D8/14.1
D. 221,612	8/1971	Meese	D8/30
2,348,110	5/1944	Crowley	239/424.5 X

3,428,778	2/1969	Blackman et al.	219/137.31
3,971,512	7/1976	Duncan	239/530 X
4,161,643	7/1979	Martin, Jr. et al.	219/70

Primary Examiner—Susan J. Lucas

Assistant Examiner—C. E. Heflin

Attorney, Agent, or Firm—Majestic, Gallagher, Parsons & Siebert

[57] **CLAIM**

The ornamental design of a motorized hand torch, substantially as shown and described.

DESCRIPTION

FIG. 1 is a front elevational view of the motorized hand torch showing my new design;

FIG. 2 is a top plan view thereof;

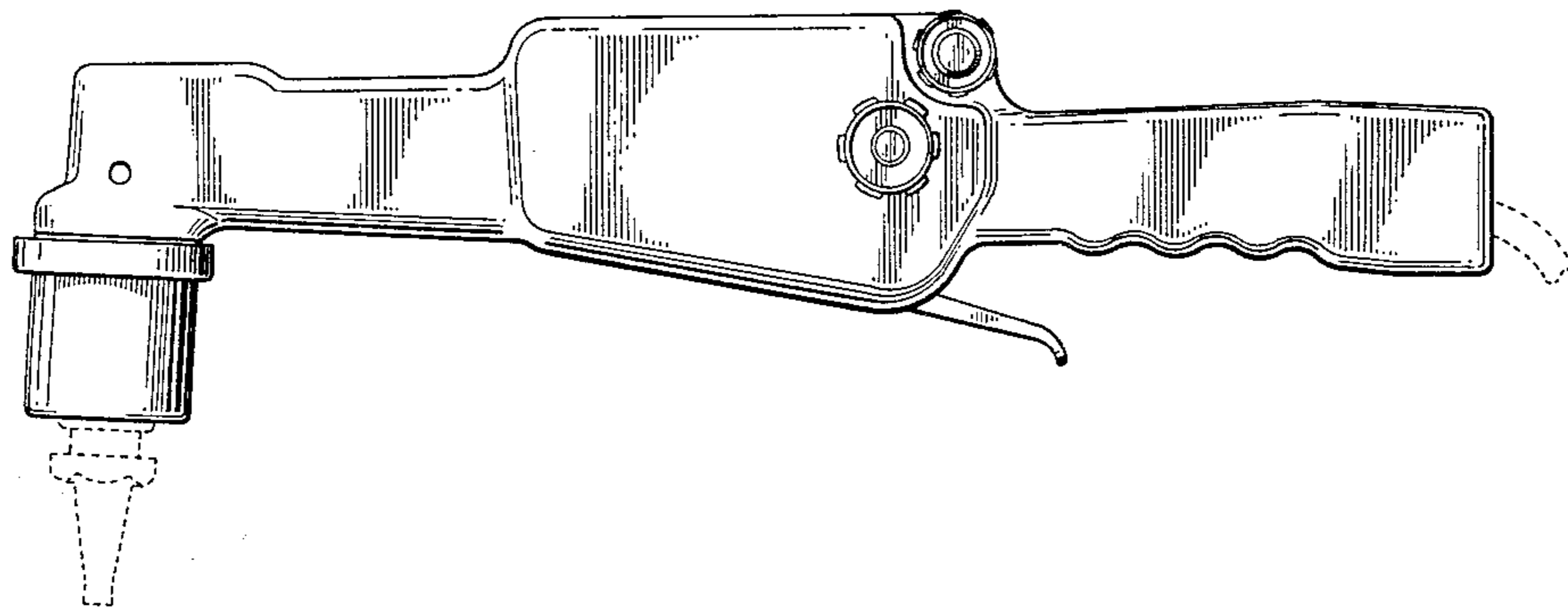
FIG. 3 is a bottom plan view thereof;

FIG. 4 is a rear elevational view thereof;

FIG. 5 is a left end elevational view thereof; and

FIG. 6 is a right end elevational view thereof.

The electric cord in FIGS. 1-4 and the torch tip in FIGS. 1 and 4-6 are shown in broken lines for illustrative purposes only and form no part of the claimed design.



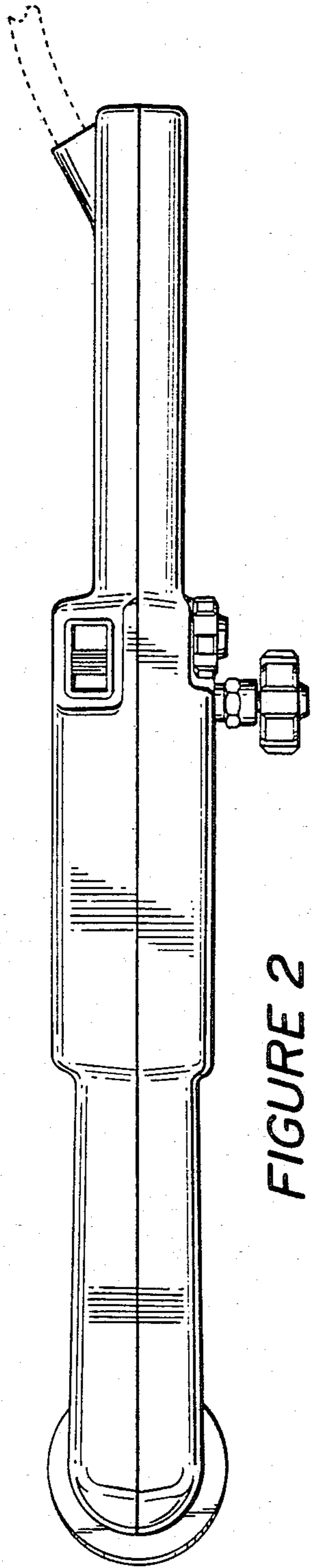


FIGURE 2

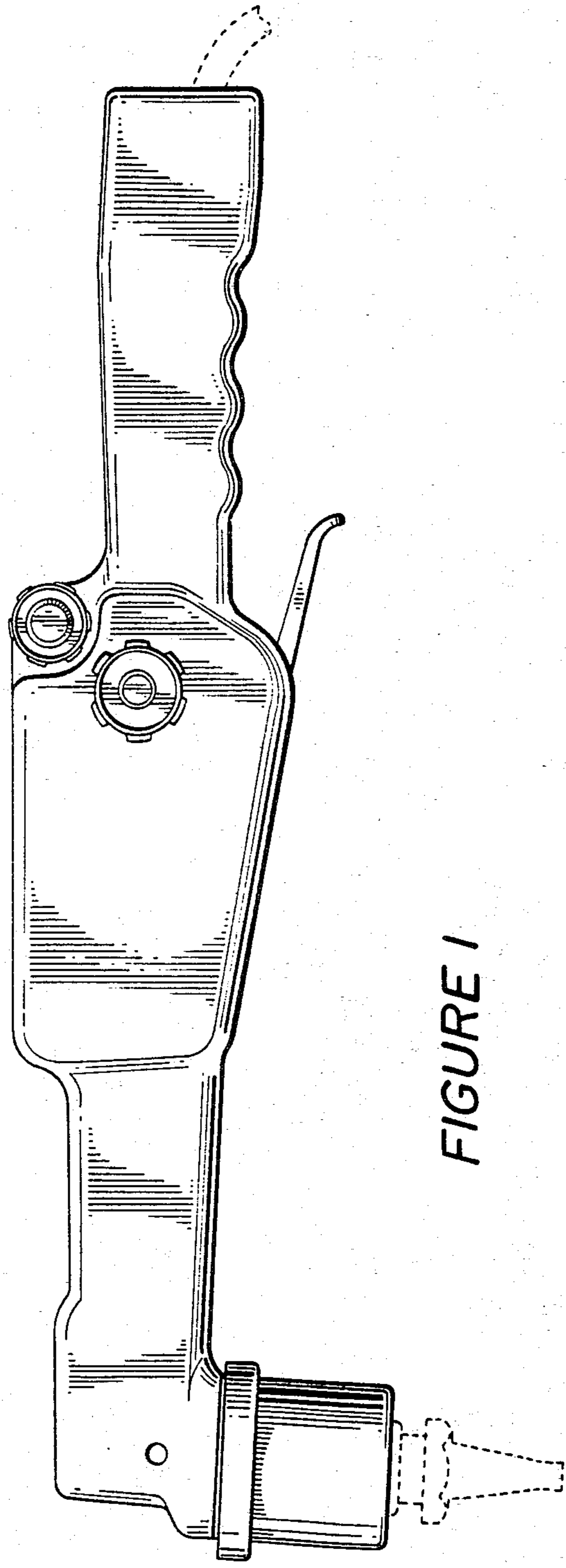


FIGURE 1

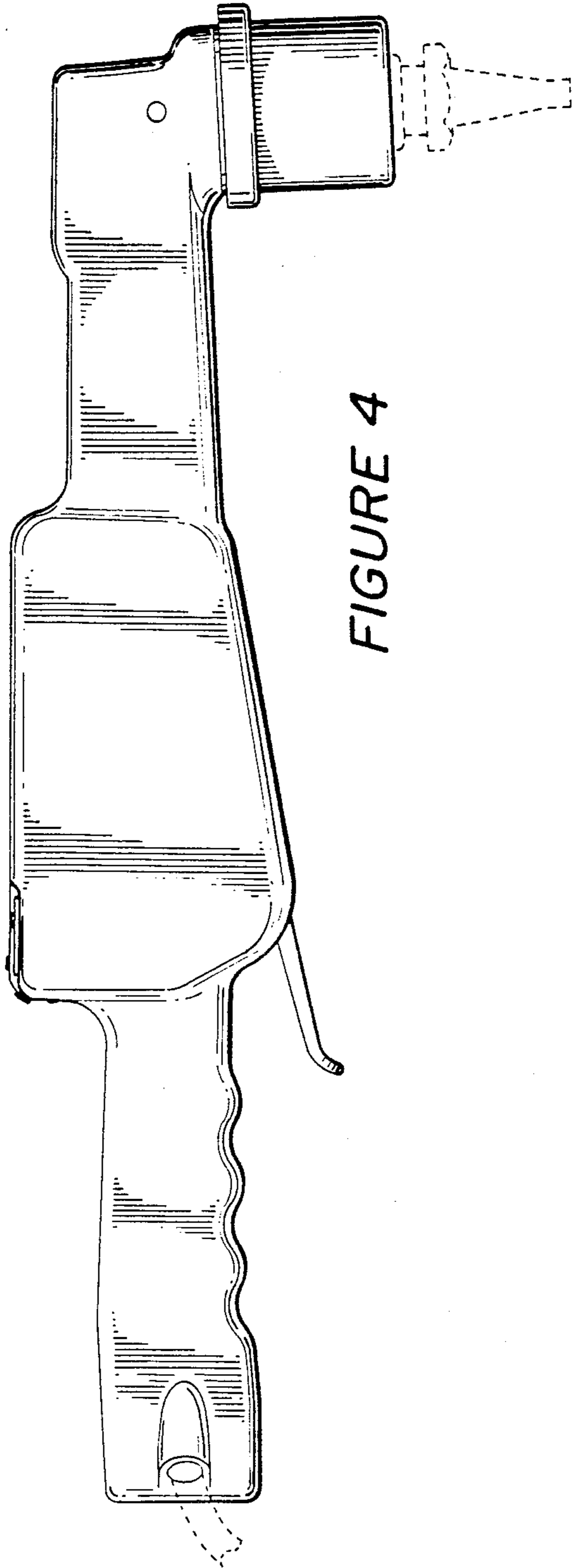


FIGURE 4

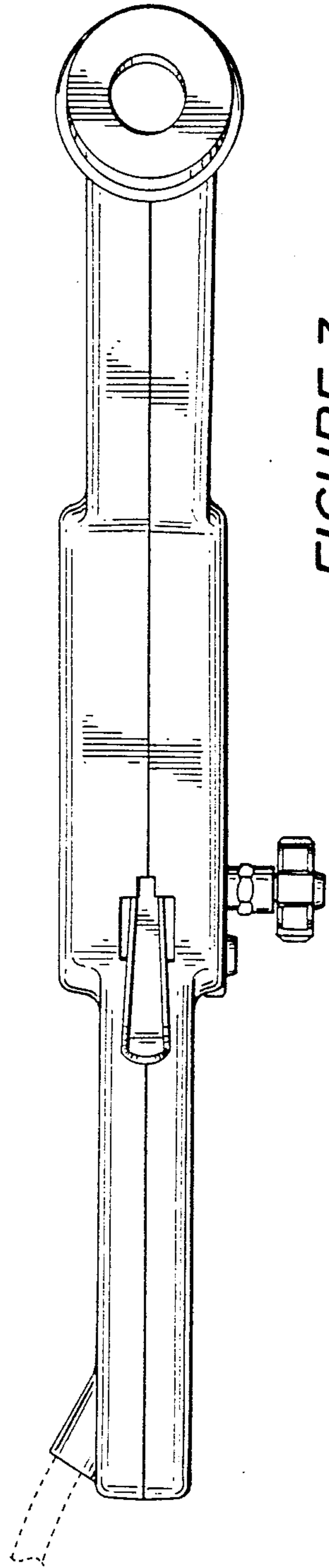


FIGURE 3

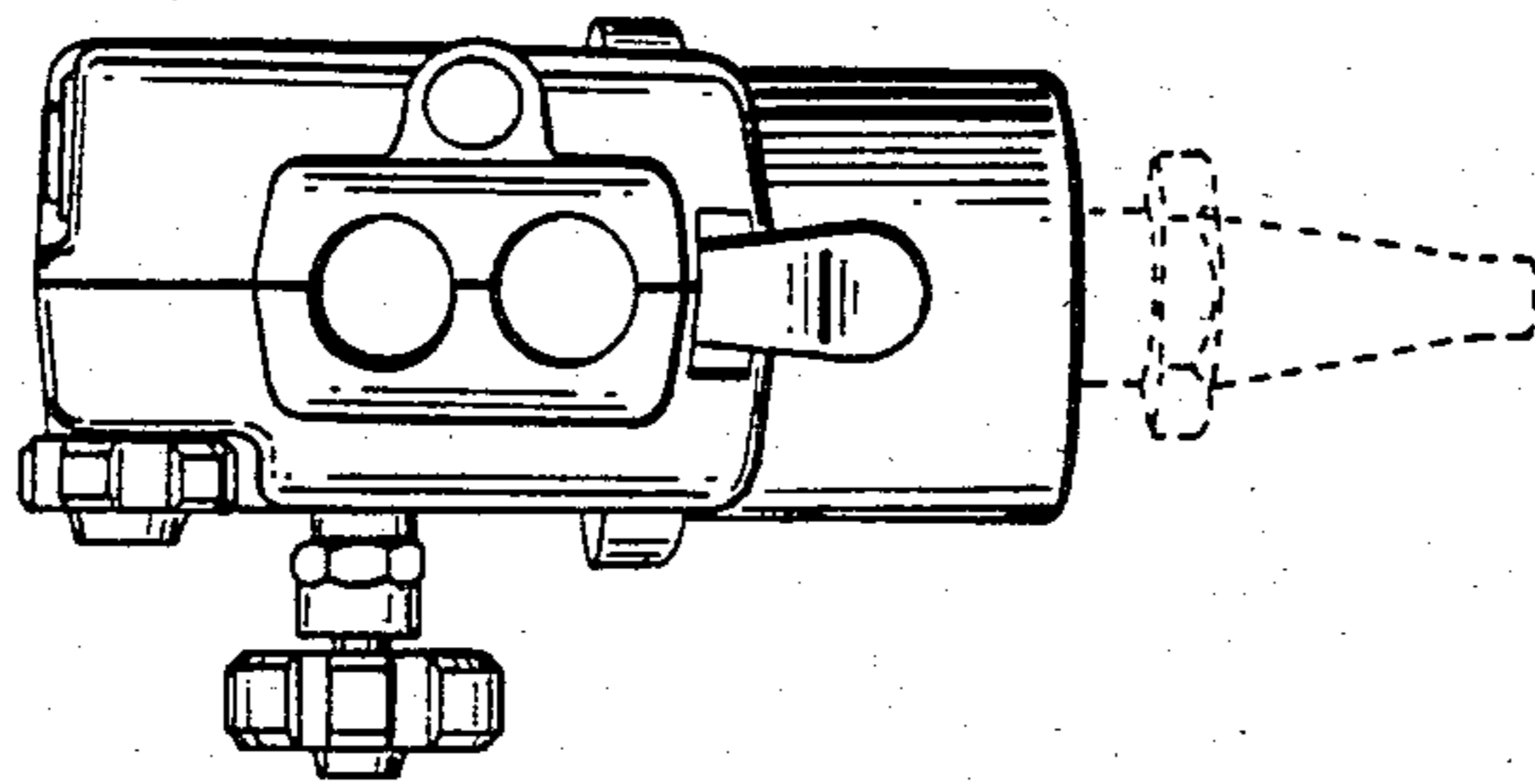


FIGURE 6

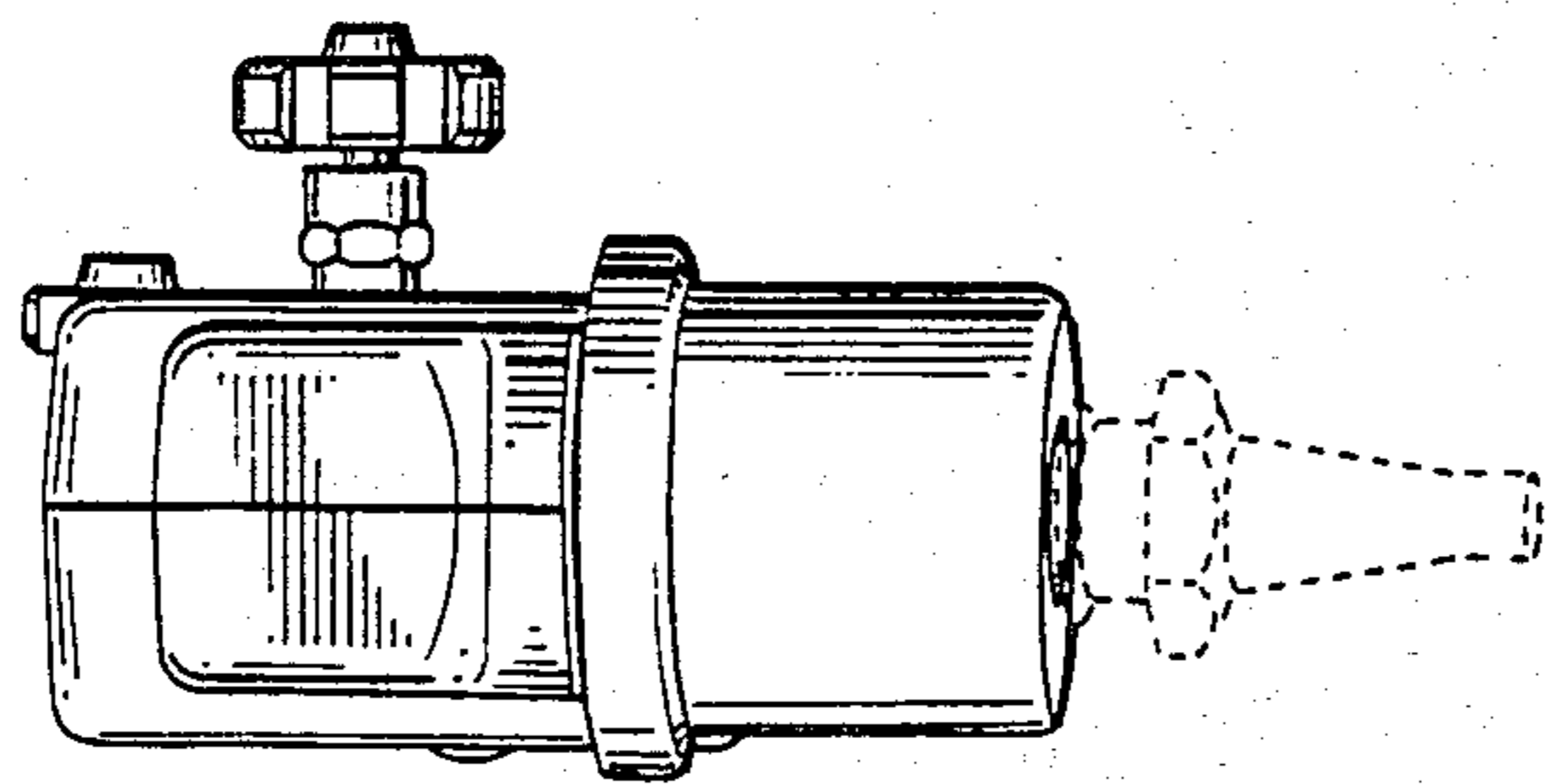


FIGURE 5