

[54] **COMBINED MEAT SMOKER,
MOISTURIZER AND HOLDER FOR WOOD
CHIPS**

2,249,142 7/1941 Kagel 211/175
3,785,254 1/1974 Mann D9/432
4,190,677 2/1980 Robins 99/482

[76] **Inventor: George D. Osborne, 2100 - 7th St.,
NW., Birmingham, Ala. 35215**

Primary Examiner—Wallace R. Burke
Assistant Examiner—Ruth E. Takemoto
Attorney, Agent, or Firm—Jennings, Carter, Thompson
& Veal

[**] **Term: 14 Years**

[21] **Appl. No.: 733,381**

[57] **CLAIM**

[22] **Filed: May 13, 1985**

The ornamental design for a combined meat smoker,
moisturizer and holder for wood chips, as shown and
described.

[52] **U.S. Cl. D7/337**

[58] **Field of Search D7/323, 331-332,
D7/334, 337-341, 346-348, 354-355, 359,
362-363, 366-367, 402, 406-407; 126/17, 19 R,
19 M; 219/385-387, 391; 99/467, 468, 481-482,
385, 393, 396, 400-402, 422, 425, 444, 325-327,
329 R, 330-331, 339, 343; D9/414, 430, 432,
433**

DESCRIPTION

FIG. 1 is a perspective view of a combined meat
smoker, moisturizer and holder for wood chips showing
my new design;
FIG. 2 is a front elevational view thereof;
FIG. 3 is a rear elevational view thereof;
FIG. 4 is a top plan view thereof;
FIG. 5 is a bottom plan view thereof; and
FIG. 6 is an end elevational view thereof, the opposite
end being a mirror image.

[56] **References Cited**

U.S. PATENT DOCUMENTS

D. 283,588 4/1986 Stuckey D7/332

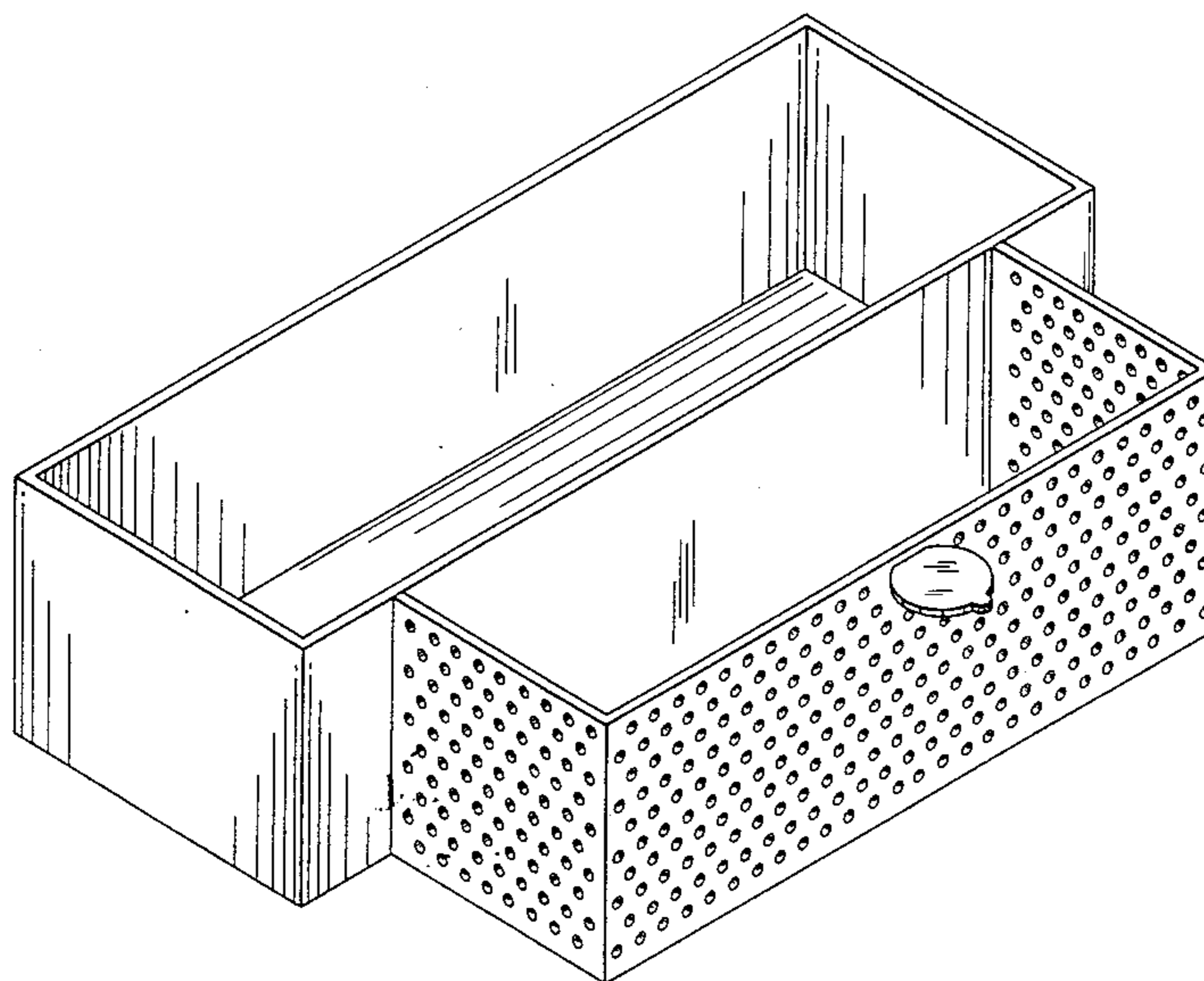


FIG. 1

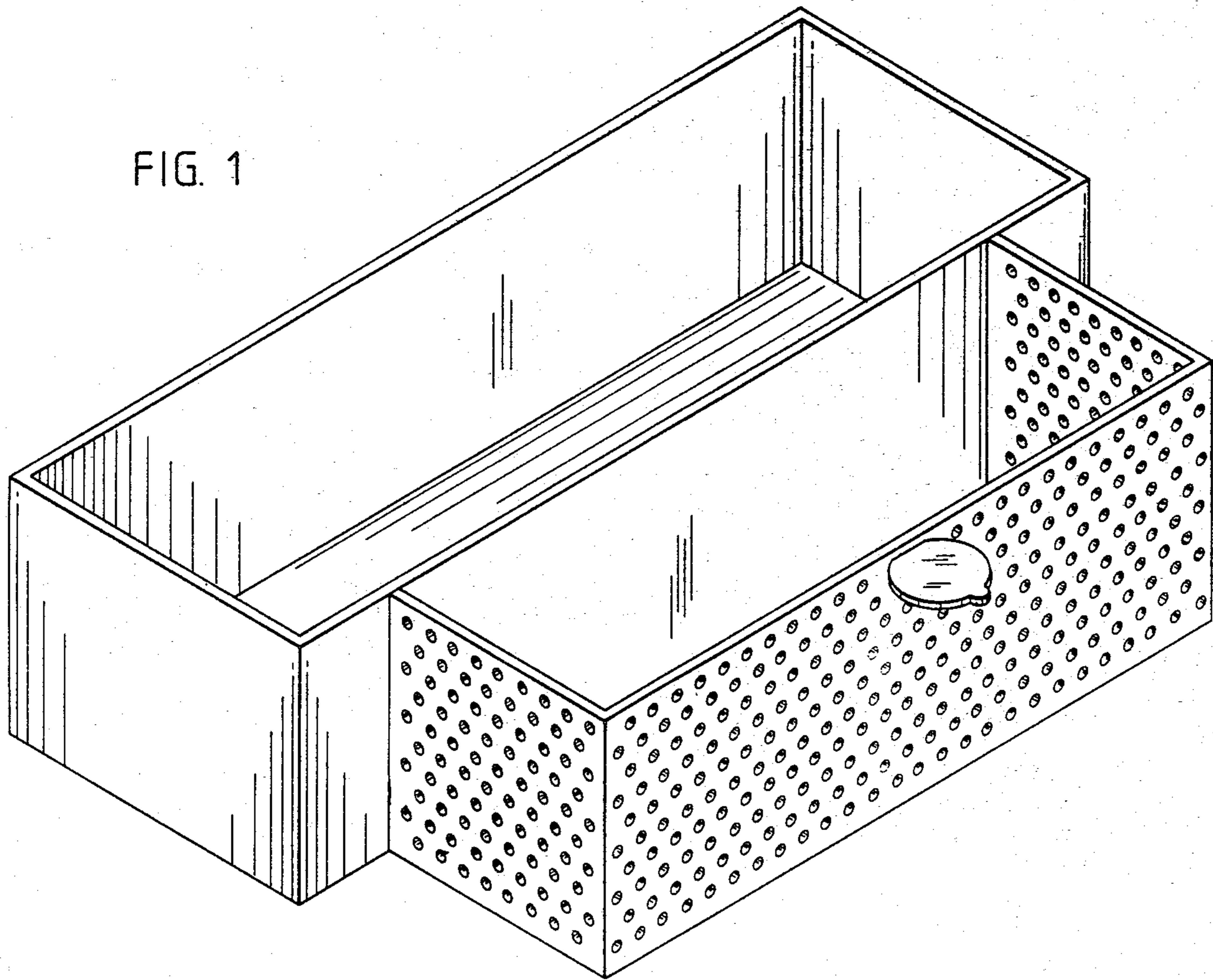


FIG. 2

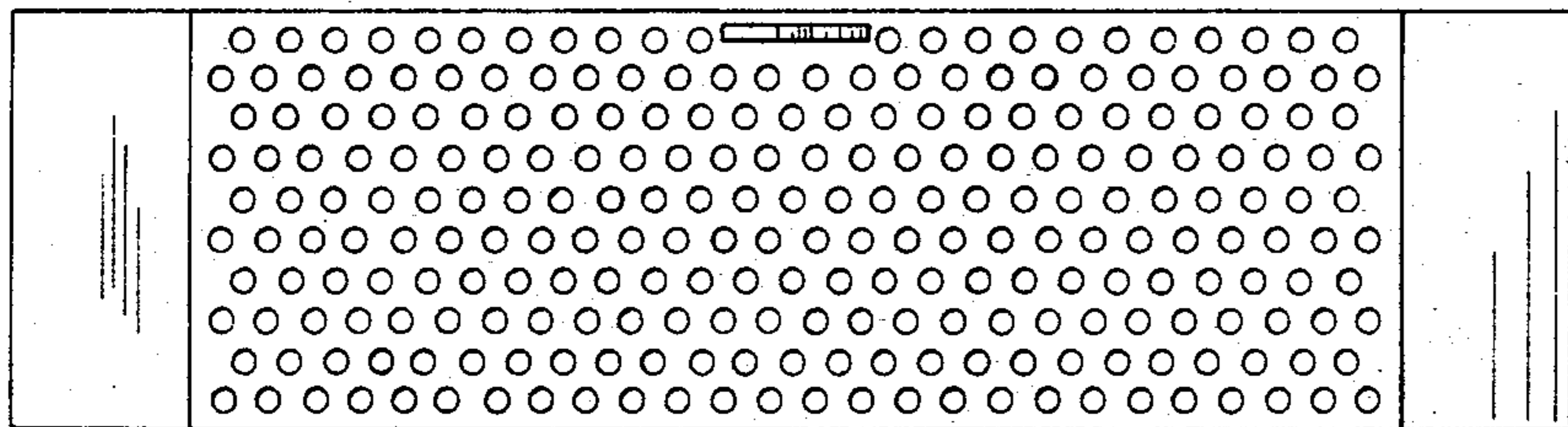


FIG. 3

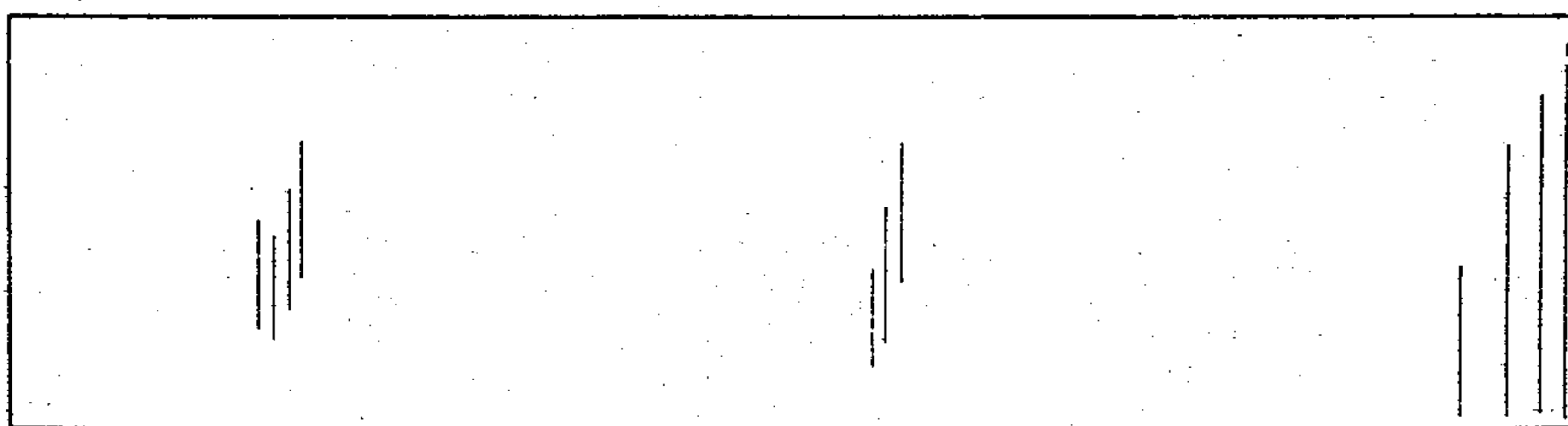


FIG. 4

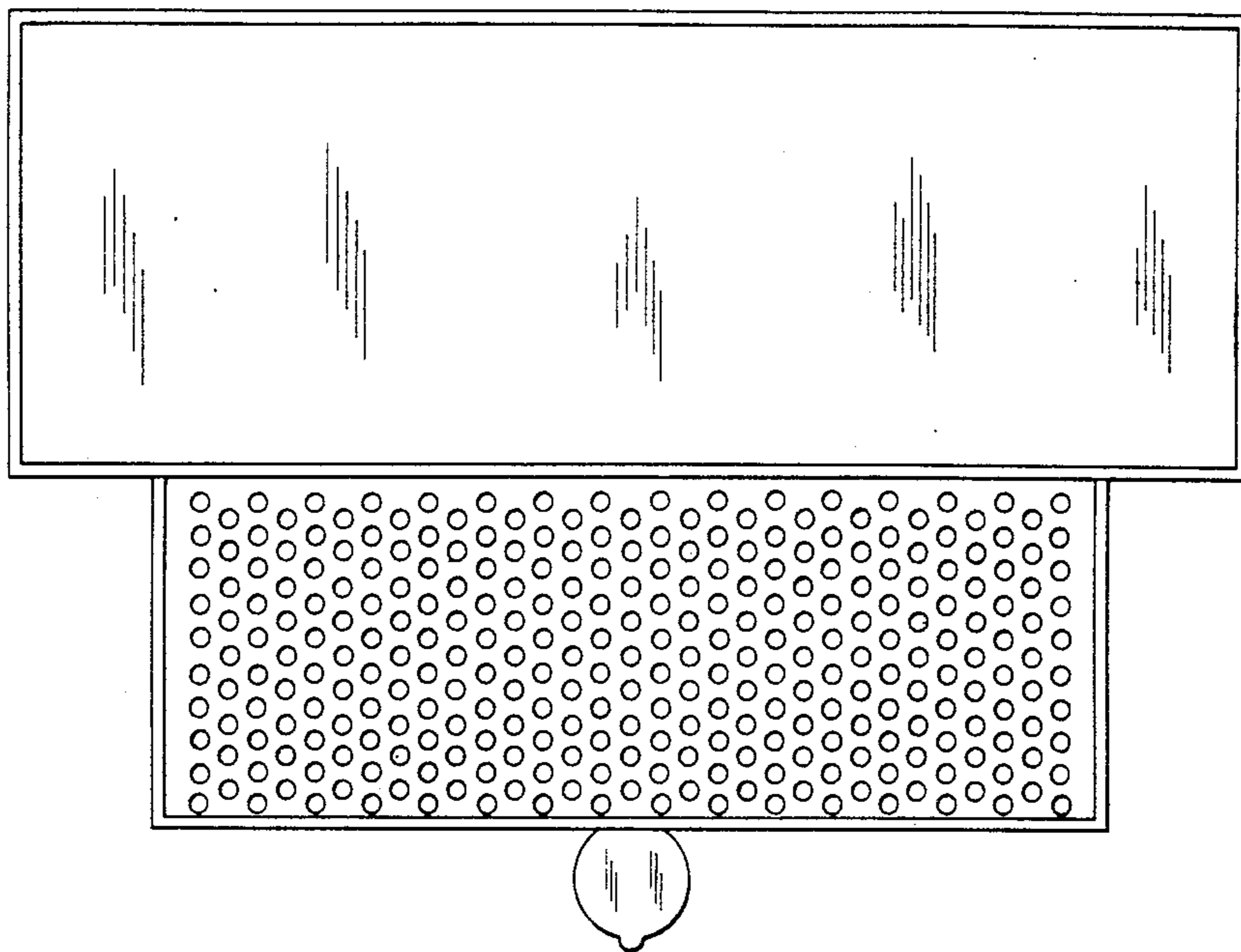


FIG. 5

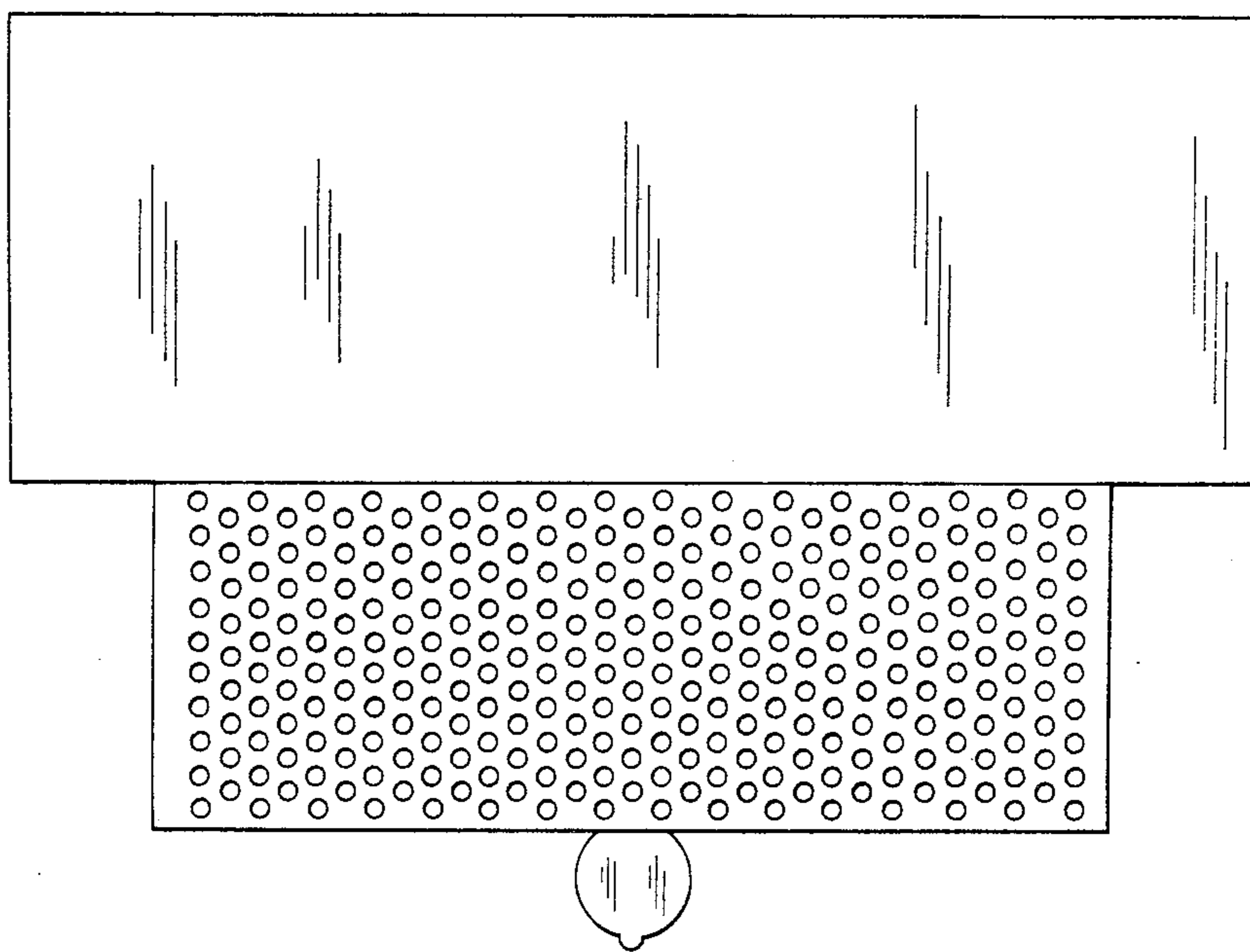


FIG. 6

