

[54] CARVING KNIFE HOUSING

[75] Inventor: Richard K. Thomas, Elk Grove Village, Ill.

[73] Assignee: John Zink Company, Tulsa, Okla.

[\*\*] Term: 14 Years

[21] Appl. No.: 714,654

[22] Filed: Mar. 21, 1985

[52] U.S. Cl. .... D7/139

[58] Field of Search ..... 30/272 A, 272 R; D7/379, 139

[56] References Cited

U.S. PATENT DOCUMENTS

D. 203,850	2/1966	Chieda	.....	D7/379
D. 225,765	1/1973	Hall	.....	D7/379
D. 225,766	1/1973	Hall	.....	D7/379
D. 286,491	11/1986	Levin	.....	D7/139
3,533,600	10/1970	Gerson	.....	30/272 A X

FOREIGN PATENT DOCUMENTS

1470337 2/1967 France ..... 30/272 A

OTHER PUBLICATIONS

*HFD-Retailing Home Furnishings*, Jul. 24, 1978, p. 51, Housewares, Elec. Knife-top right.

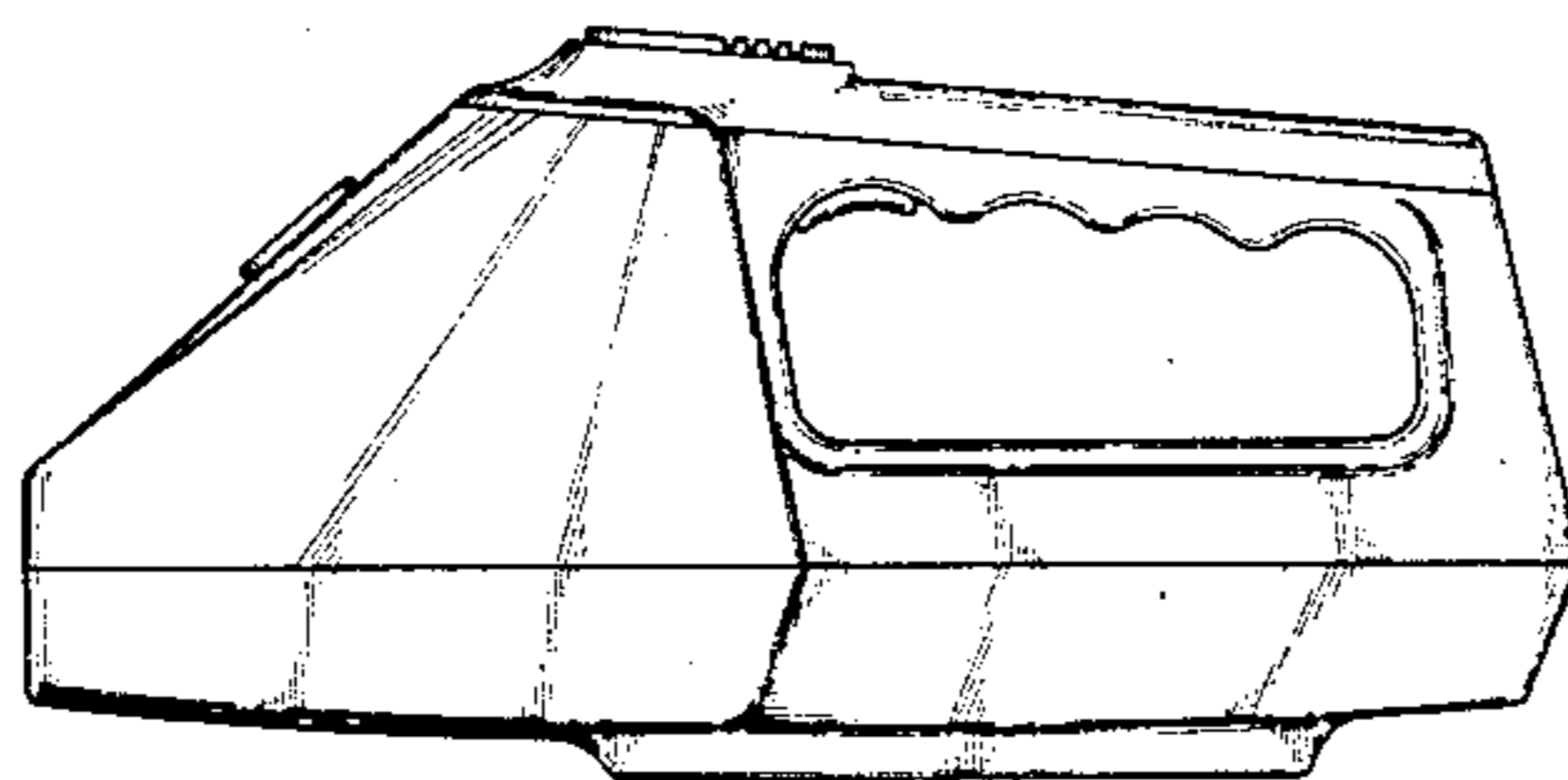
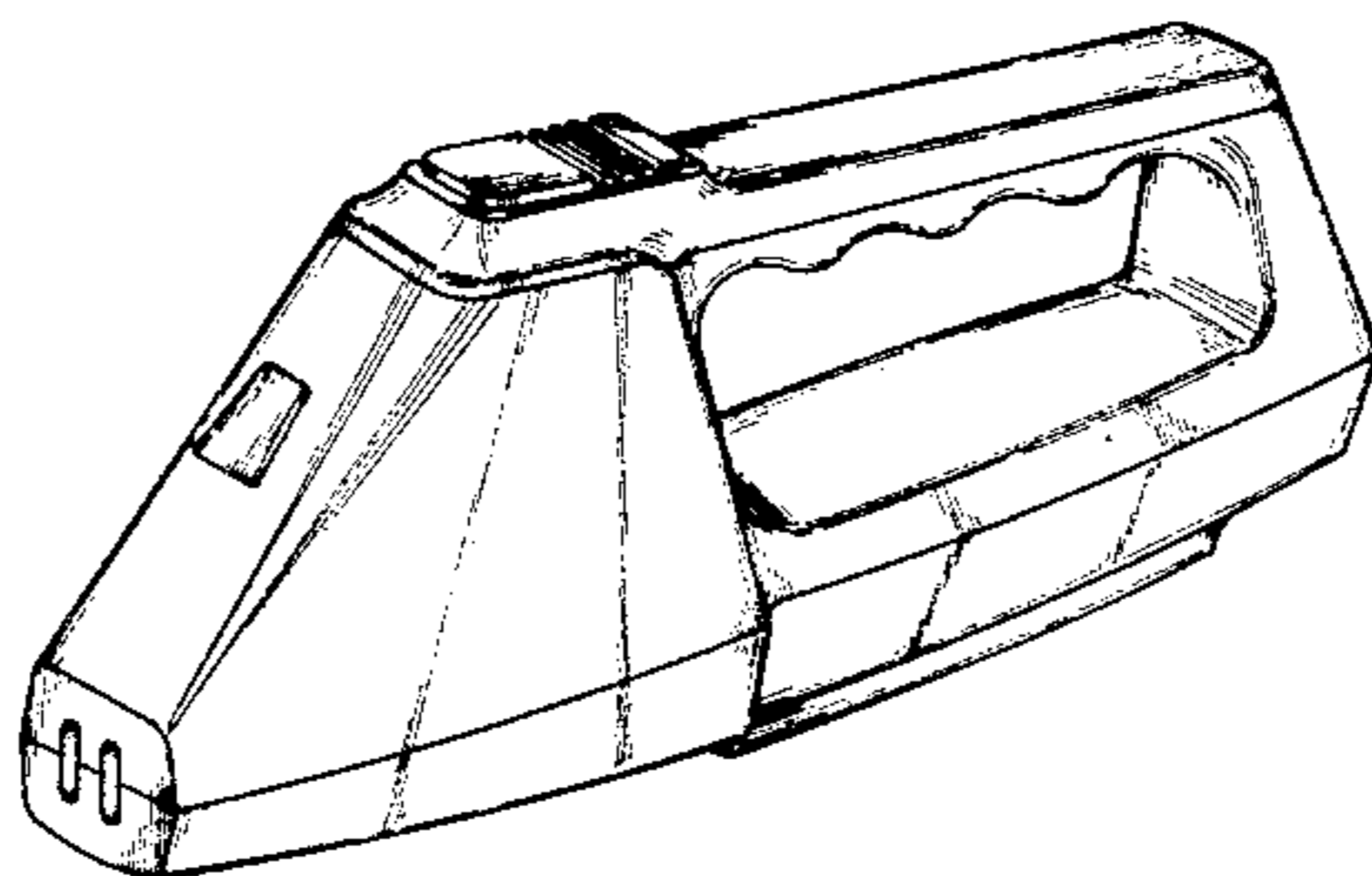
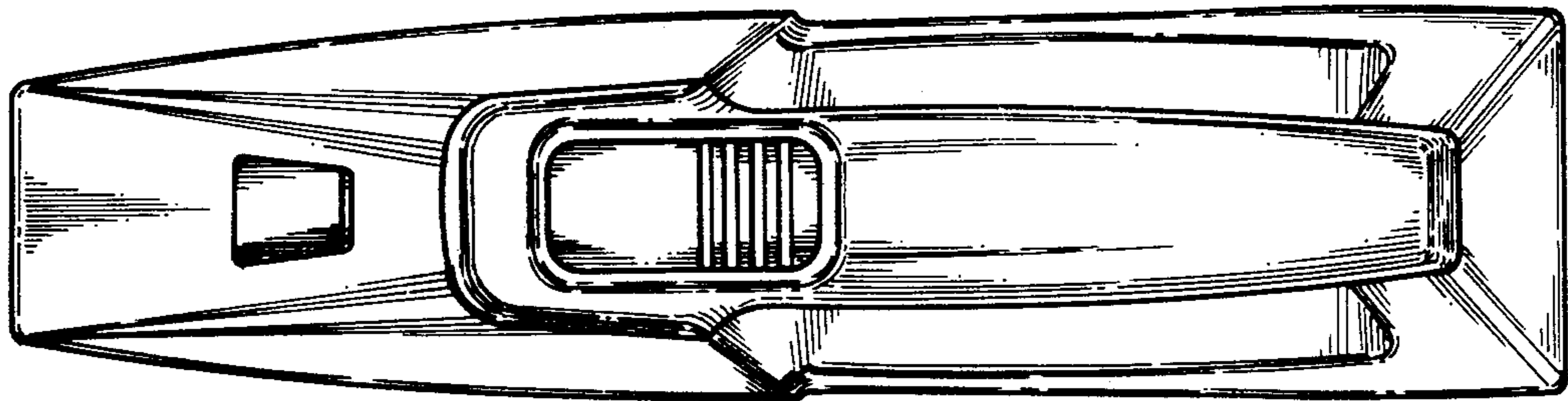
Primary Examiner—Winifred E. Herrmann  
Attorney, Agent, or Firm—Neil M. Rose

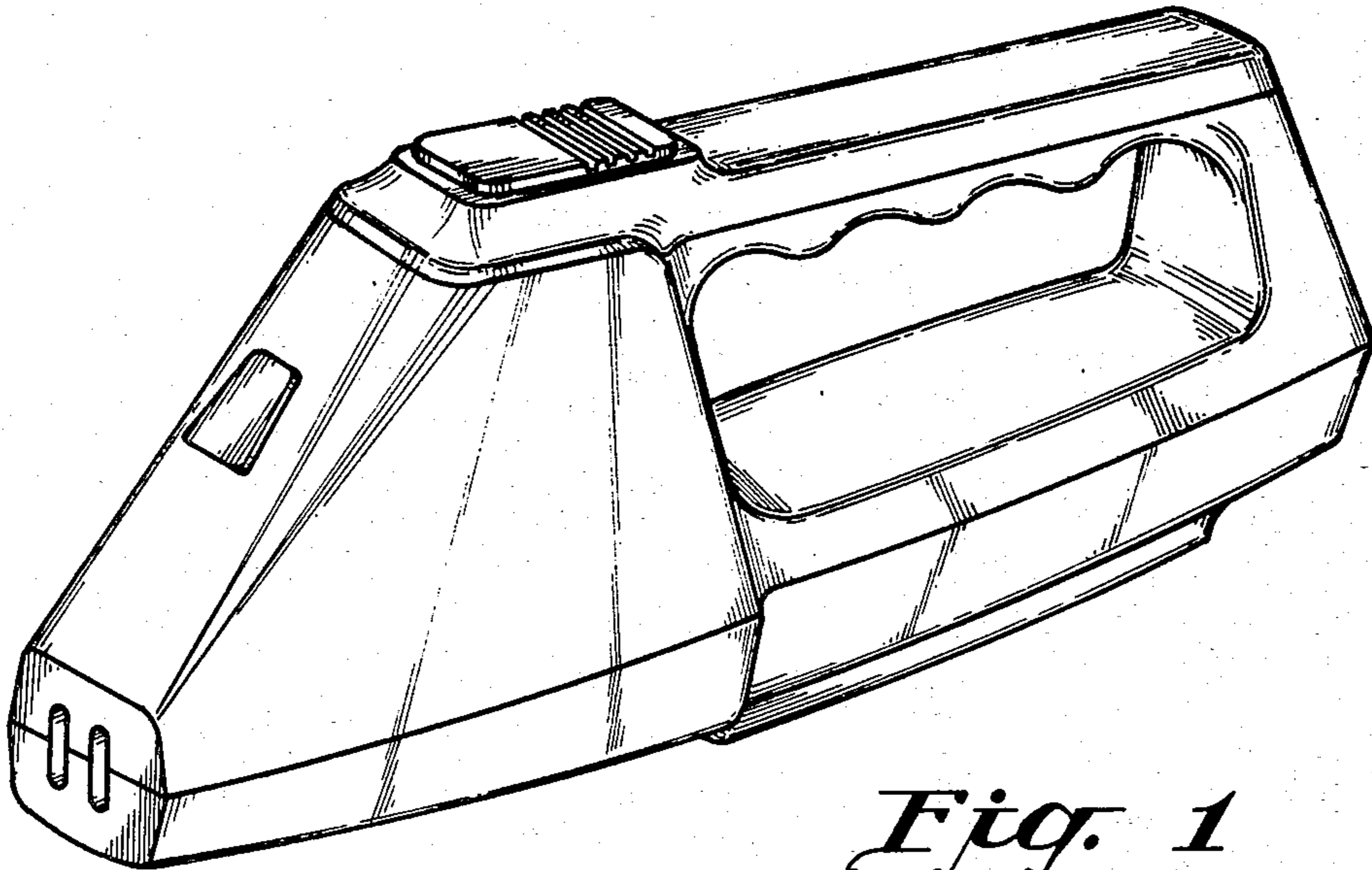
[57] CLAIM

The ornamental design for a carving knife housing, as shown and described.

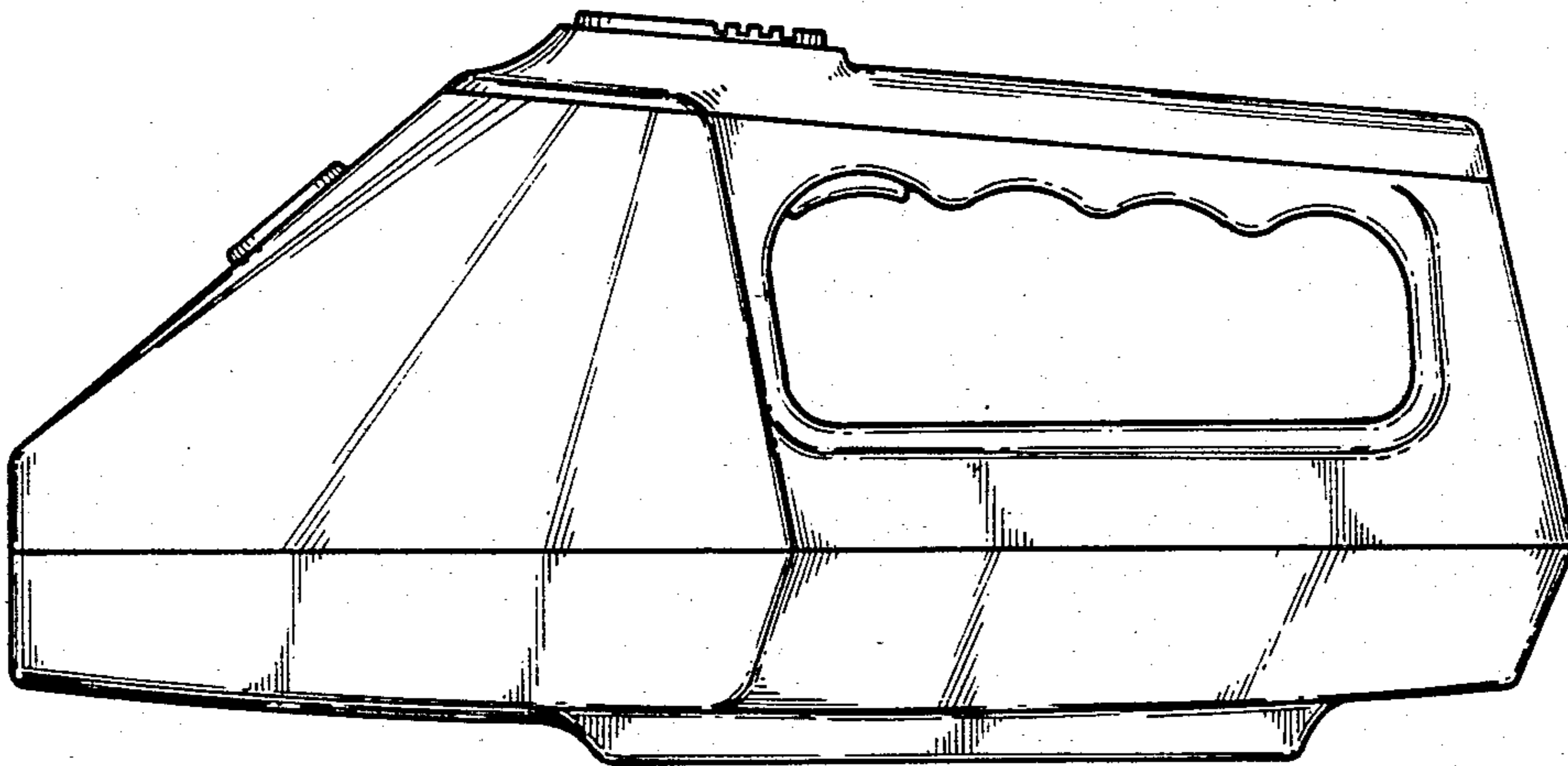
DESCRIPTION

FIG. 1 is a perspective view of a carving knife housing showing my new design;  
 FIG. 2 is a side elevational view thereof;  
 FIG. 3 is an opposite side elevational view thereof;  
 FIG. 4 is a top plan view thereof;  
 FIG. 5 is a bottom plan view thereof;  
 FIG. 6 is a front end elevational view thereof; and  
 FIG. 7 is a rear end elevational view thereof.

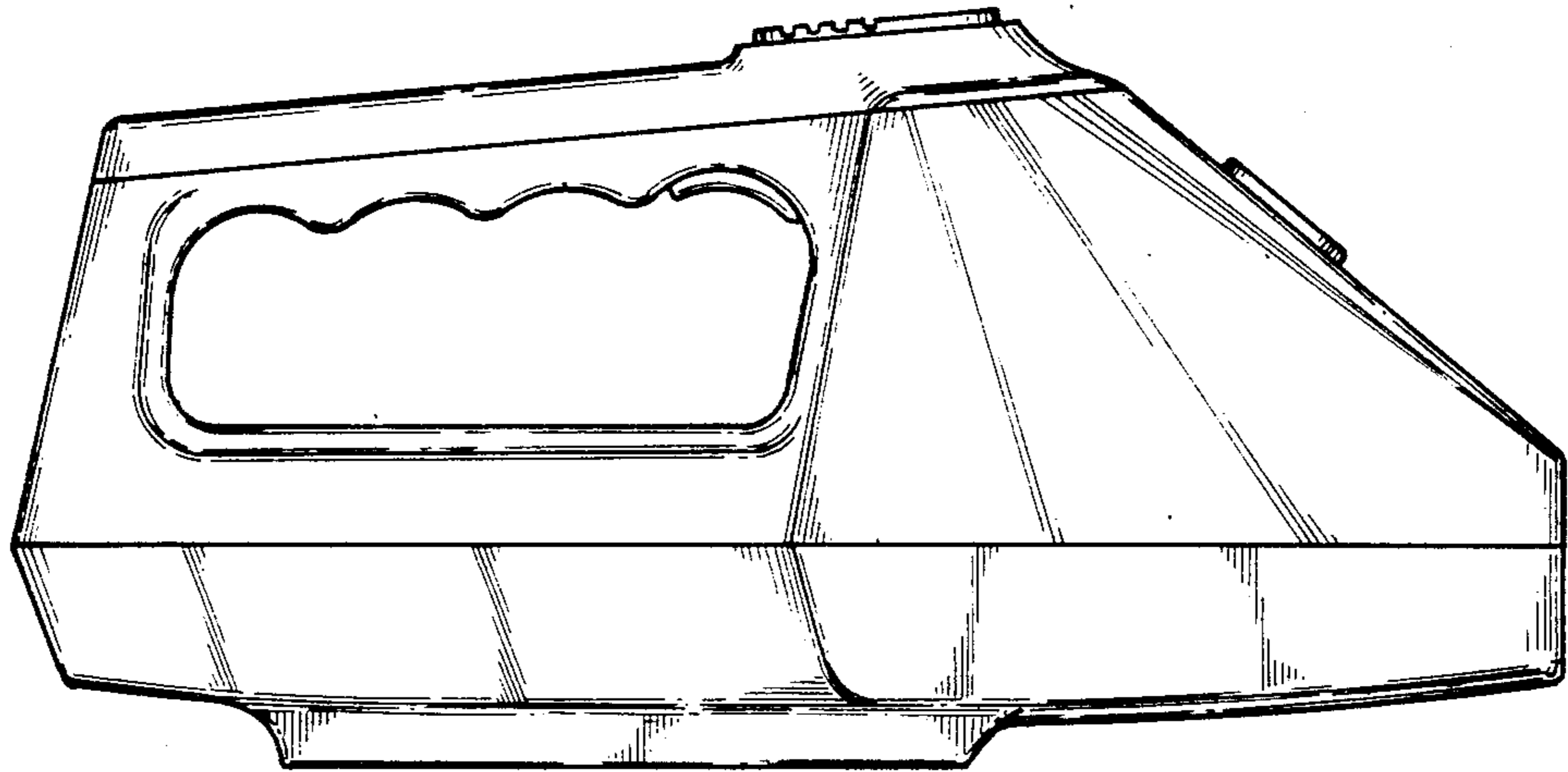




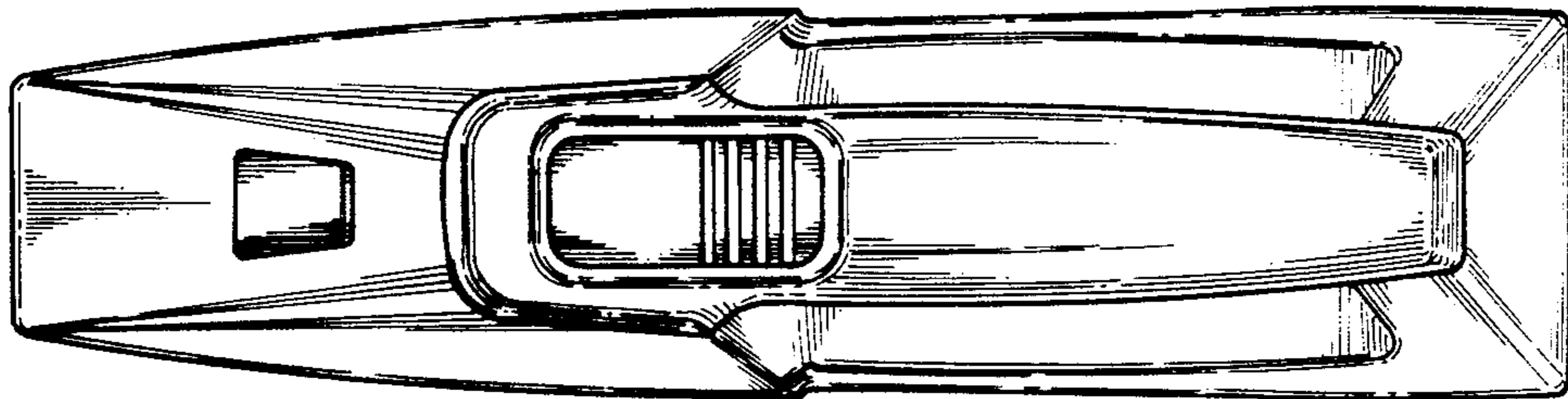
*Fig. 1*



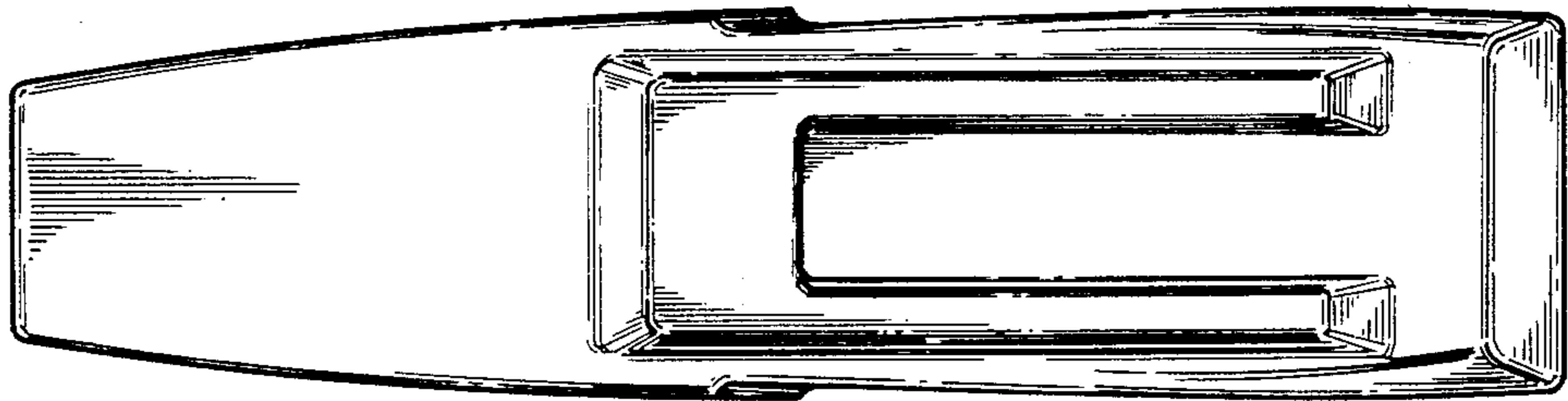
*Fig. 2*



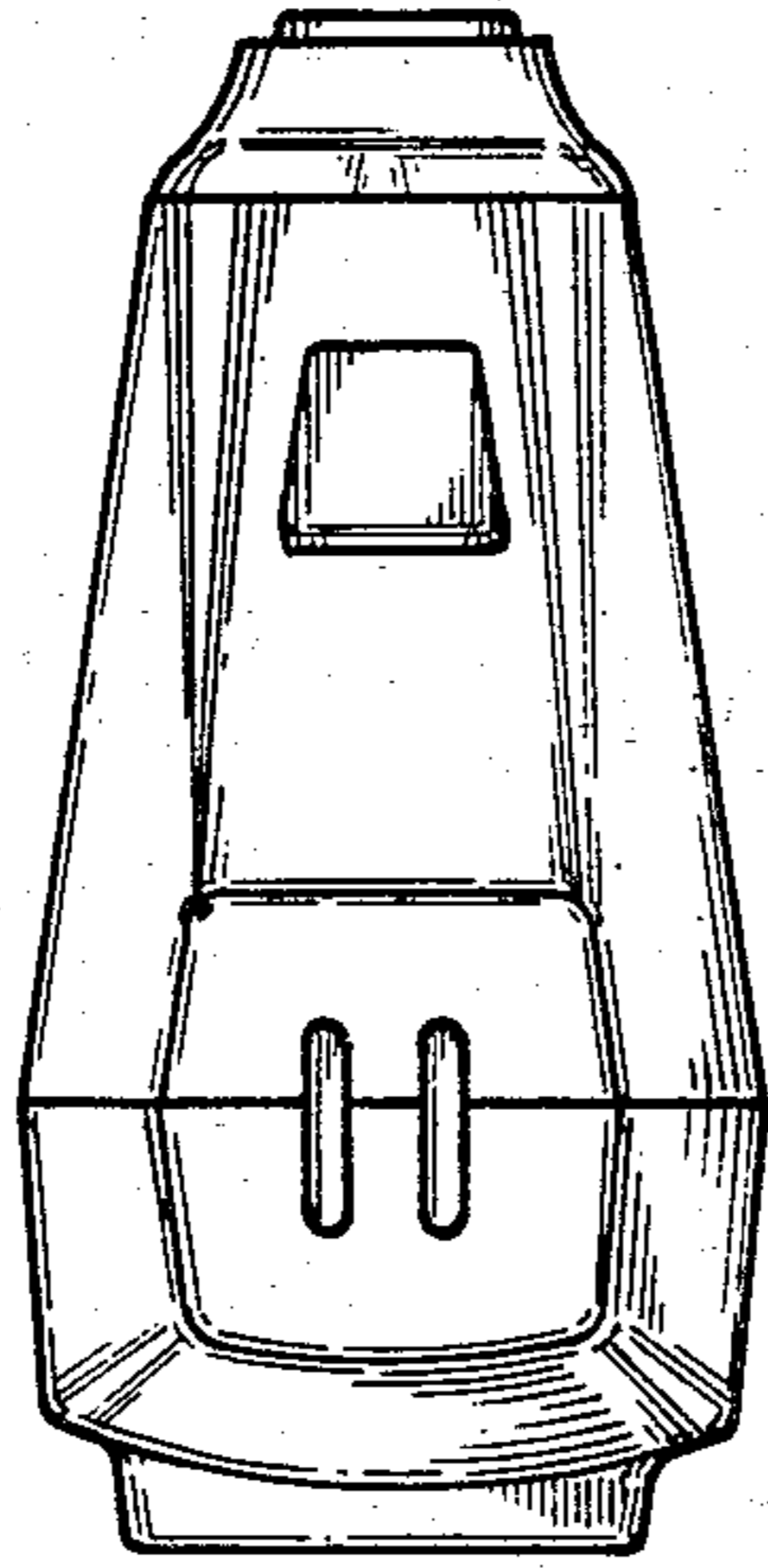
*Fig. 3*



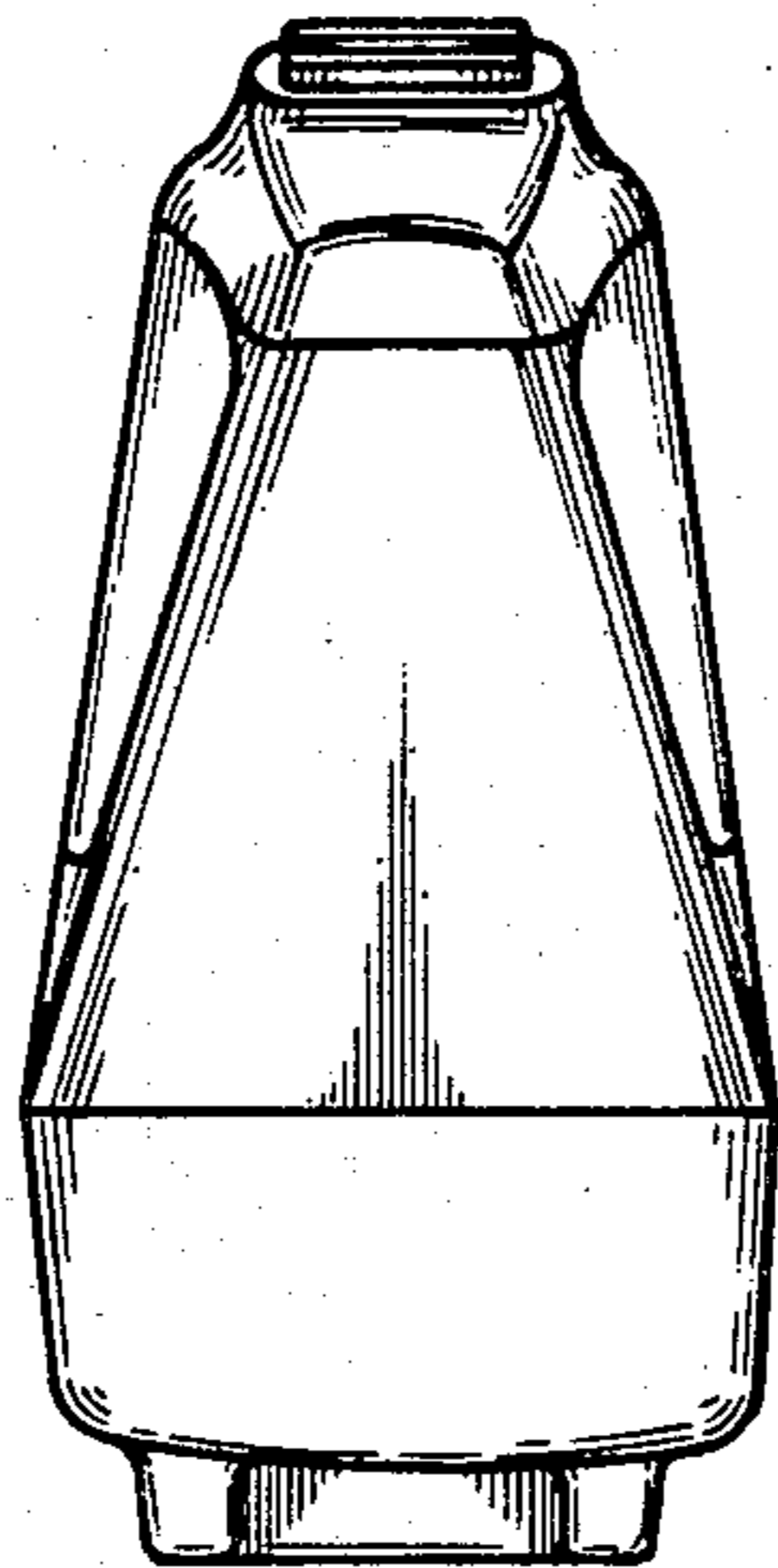
*Fig. 4*



*Fig. 5*



*Fig. 6*



*Fig. 7*