

[54] COLLAPSIBLE BEVERAGE CONTAINER HOLDER

[76] Inventor: William G. Hentrich, 19063 Frazho, Roseville, Mich. 48066

[**] Term: 14 Years

[21] Appl. No.: 607,242

[22] Filed: May 4, 1984

[52] U.S. Cl. D7/70

[58] Field of Search D7/70, 71; 248/346.1, 248/311.2; 220/85 H; 215/100 R, 100.5; D3/40; 211/74, 75, 88

[56] References Cited

U.S. PATENT DOCUMENTS

- D. 255,635 7/1980 Valmassei D7/70
- D. 279,836 7/1985 Tanaka D7/70 X

Primary Examiner—Bernard Ansher
Assistant Examiner—Terry Pfeffer
Attorney, Agent, or Firm—Burton, Parker & Schramm

[57] CLAIM

The ornamental design for a collapsible beverage container holder, as shown.

DESCRIPTION

FIG. 1 is a right side elevational view of a collapsible beverage container holder showing my new design, the cup and chair arm shown in broken lines for illustrative purposes only;

FIG. 2 is a front elevational view thereof;

FIG. 3 is a rear elevational view thereof;

FIG. 4 is a top plan view thereof;

FIG. 5 is a bottom plan view thereof; and

FIG. 6 is a left side elevational view thereof.

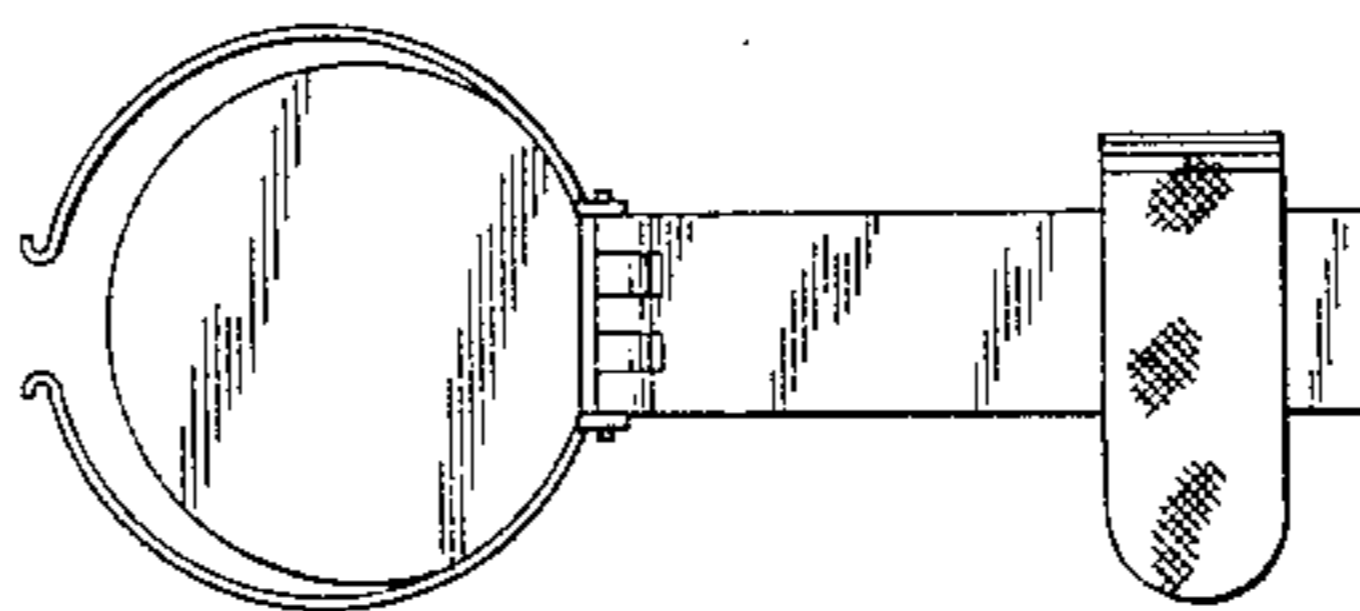
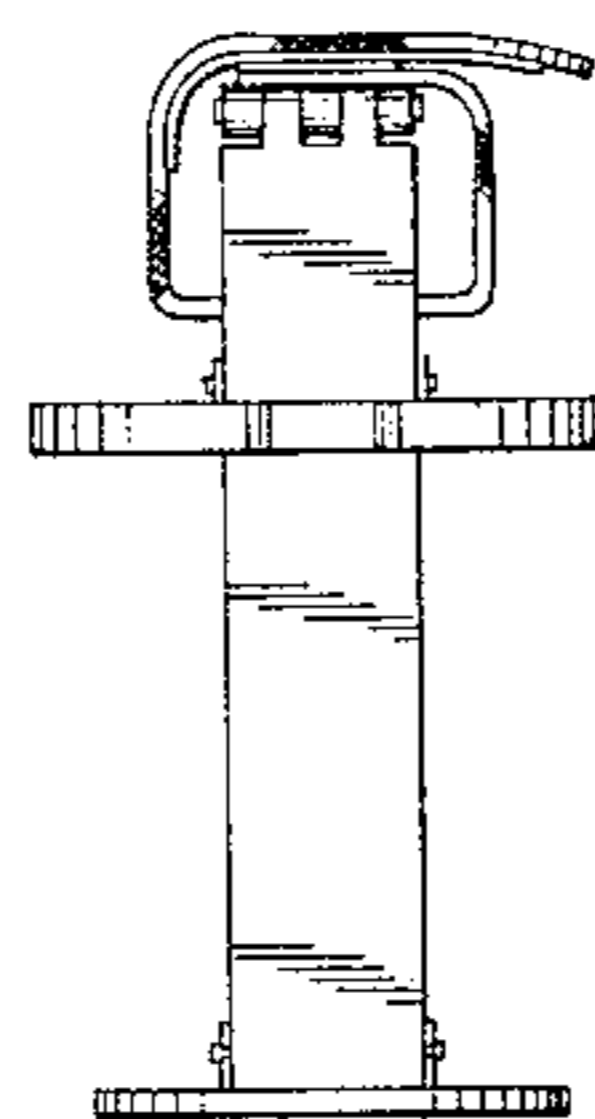


FIG. 1

FIG. 2

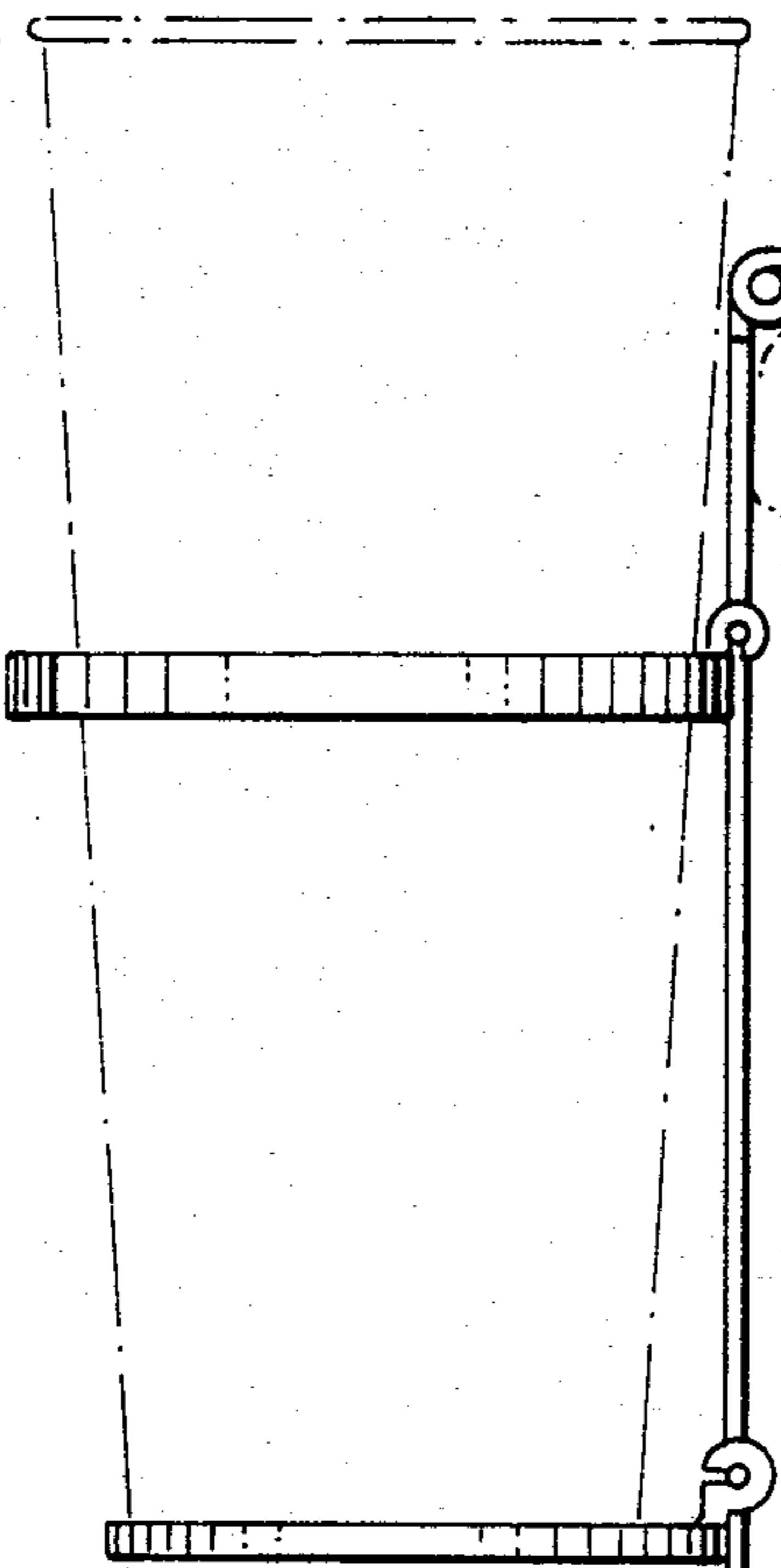
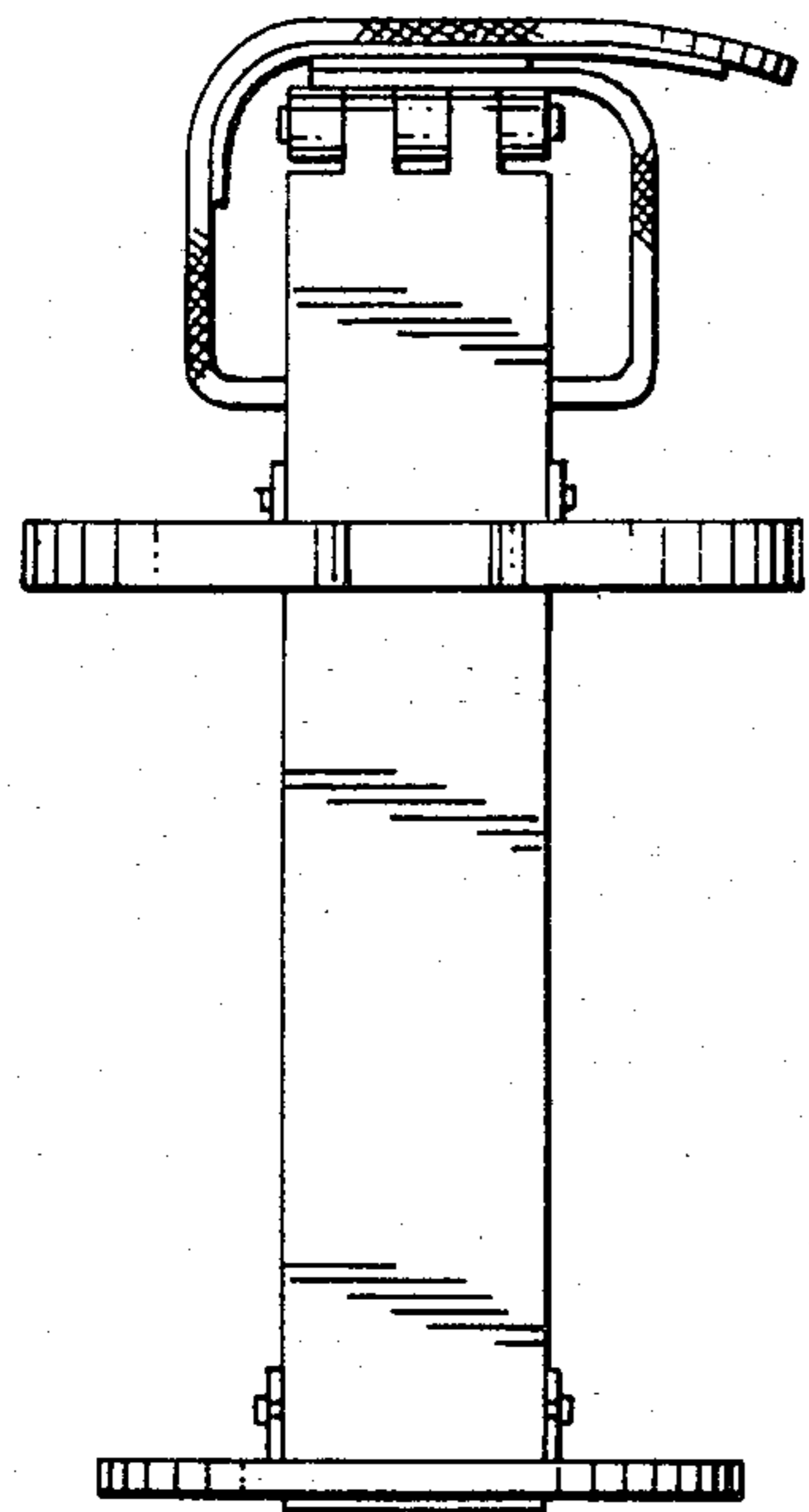


FIG. 3

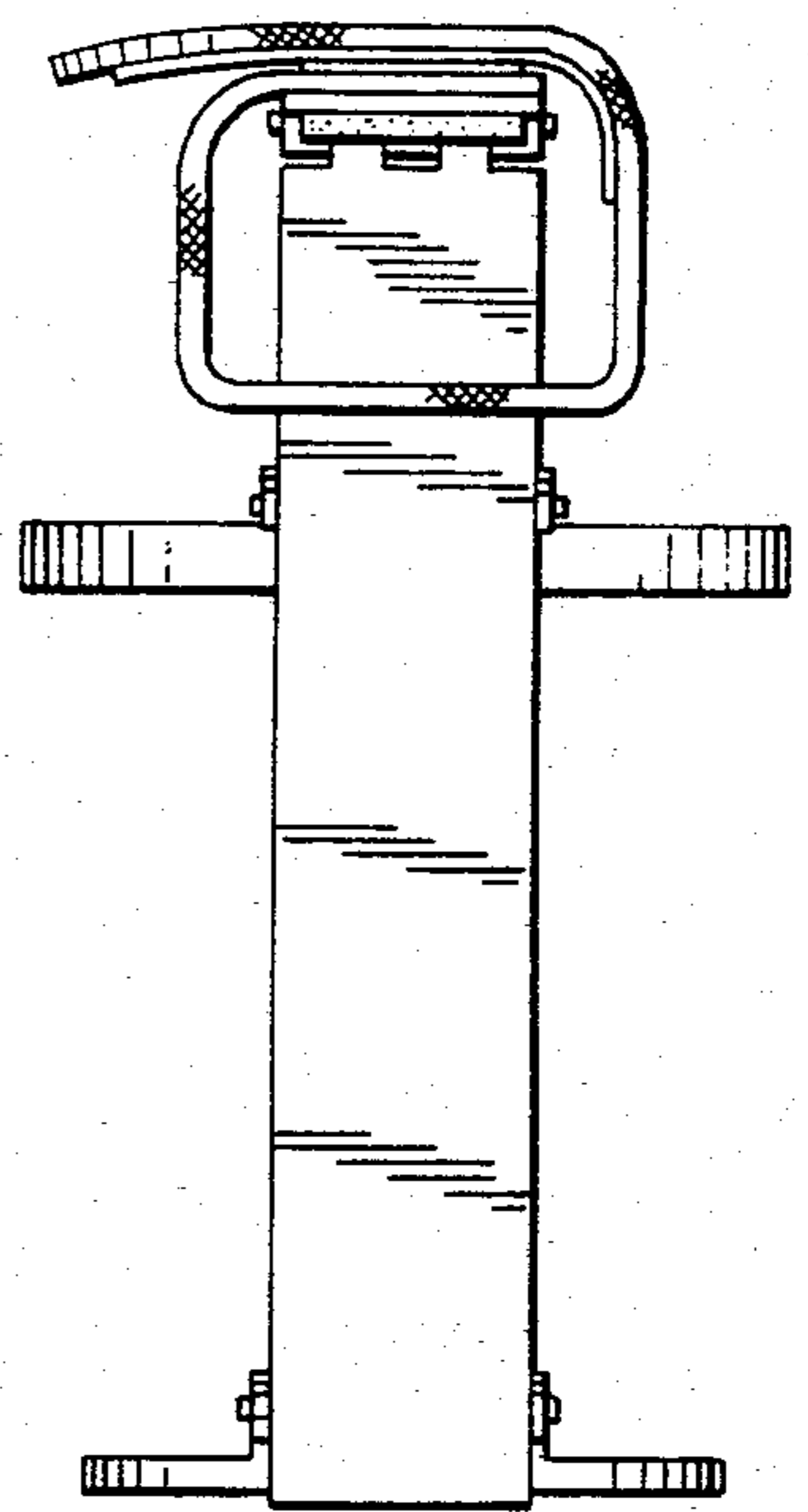


FIG. 4

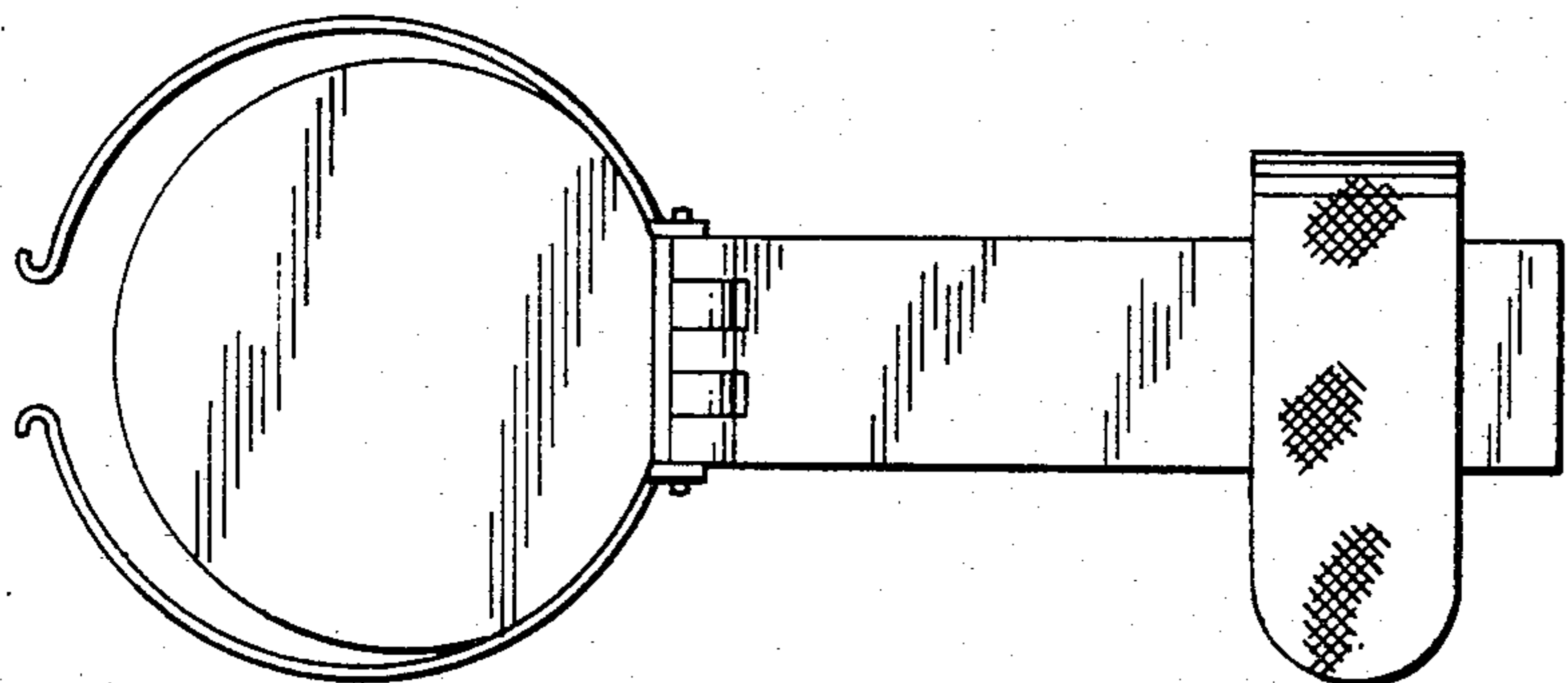


FIG. 5

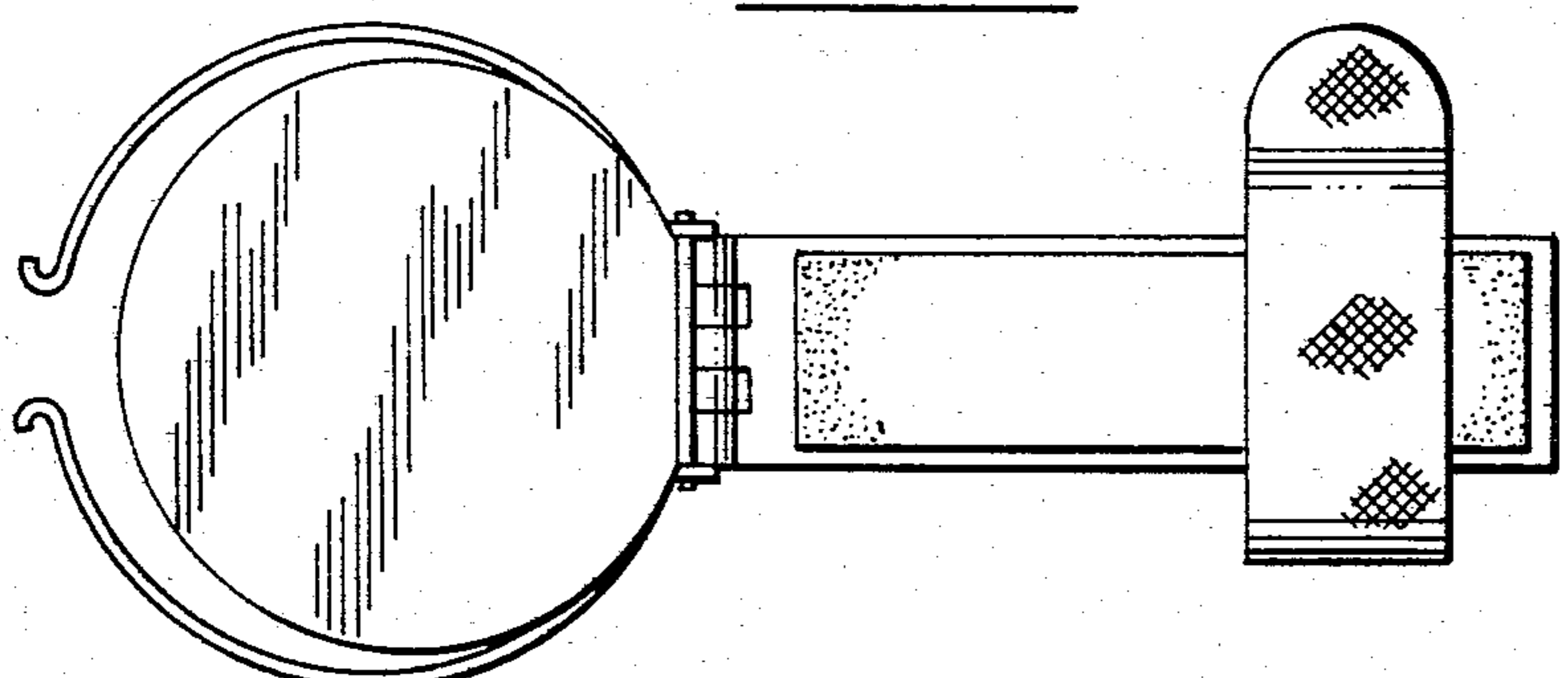


FIG. 6

