

[54] **TABLE**

[75] **Inventor:** Richard D. Berry, Jr., Hickory, N.C.

[73] **Assignee:** Design Institute America, Inc.,
Montpelier, Ohio

[**] **Term:** 14 Years

[21] **Appl. No.:** 687,450

[22] **Filed:** Dec. 28, 1984

[52] **U.S. Cl.** D6/482; D6/484;
D6/487

[58] **Field of Search** D6/449, 461, 477, 478,
D6/479, 480, 482, 484, 486, 487

[56] **References Cited**

U.S. PATENT DOCUMENTS

- D. 175,110 7/1955 Howard D6/487 X
- D. 282,322 1/1986 Lambiase D6/486 X

OTHER PUBLICATIONS

Design Institute of America, ©1983, Alpha Table No. 700-B3.

Carson's catalog Table Sect., Table No. 80825.

Primary Examiner—Bruce W. Dunkins
Attorney, Agent, or Firm—Marshall & Melhorn

[57] **CLAIM**

The ornamental design for a table, as shown.

DESCRIPTION

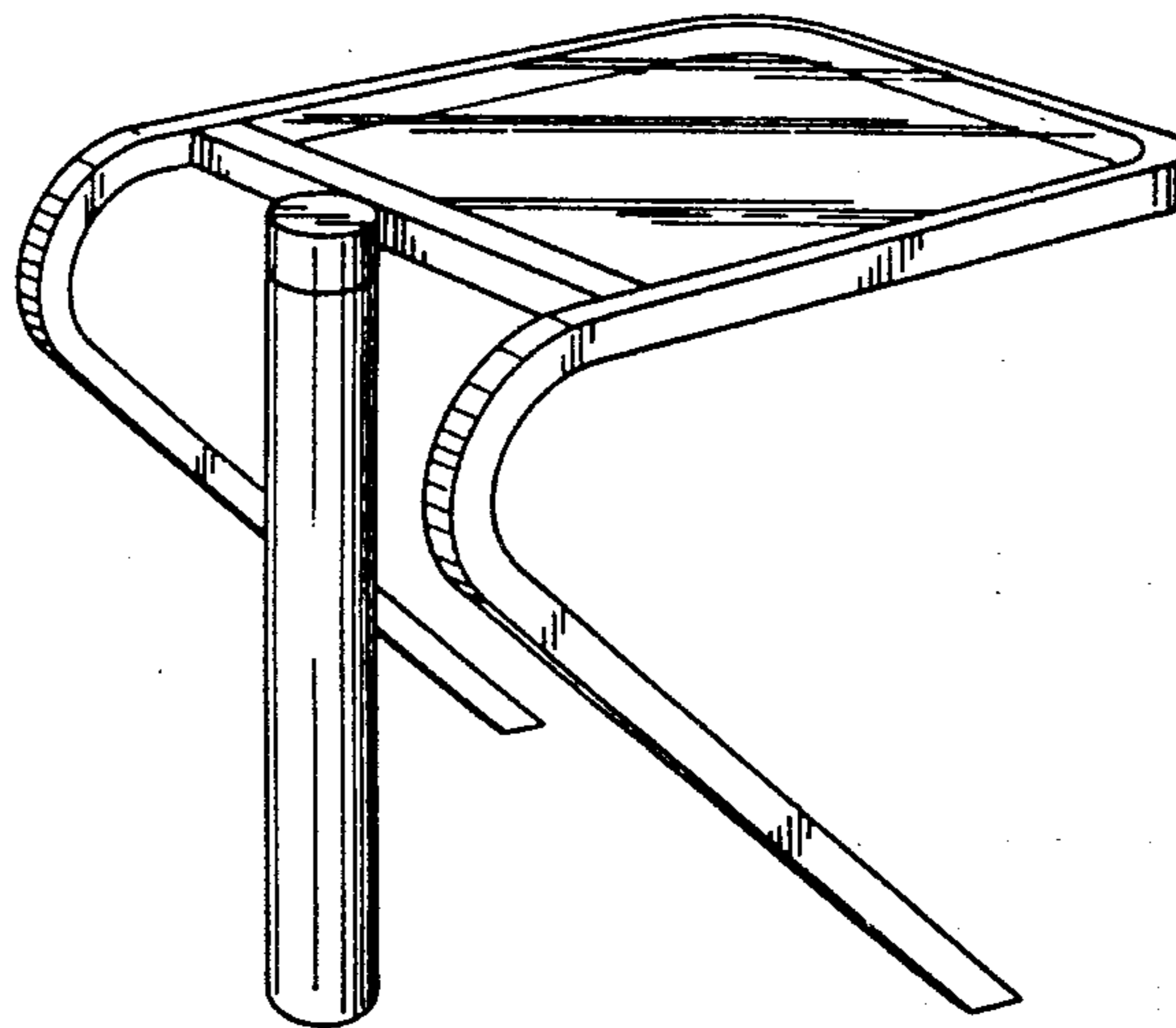
FIG. 1 is a perspective view of a table embodying my new design;

FIG. 2 is a side elevational view thereof;

FIG. 3 is a top plan view thereof;

FIG. 4 is a rear elevational view thereof taken from the left-hand side of FIG. 2; and

FIG. 5 is a front elevational view thereof taken from the right-hand side of FIG. 2.



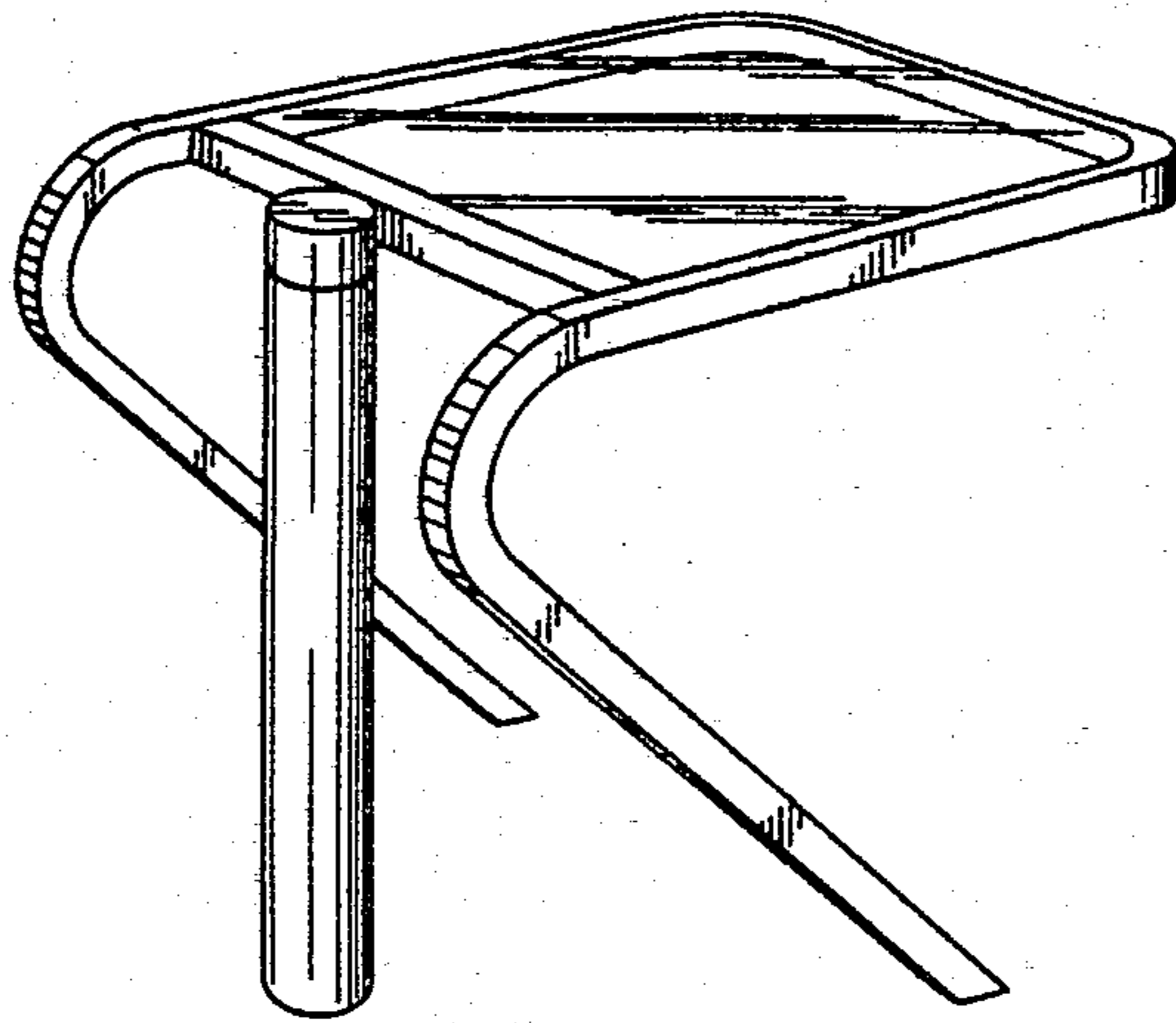


FIG. 1

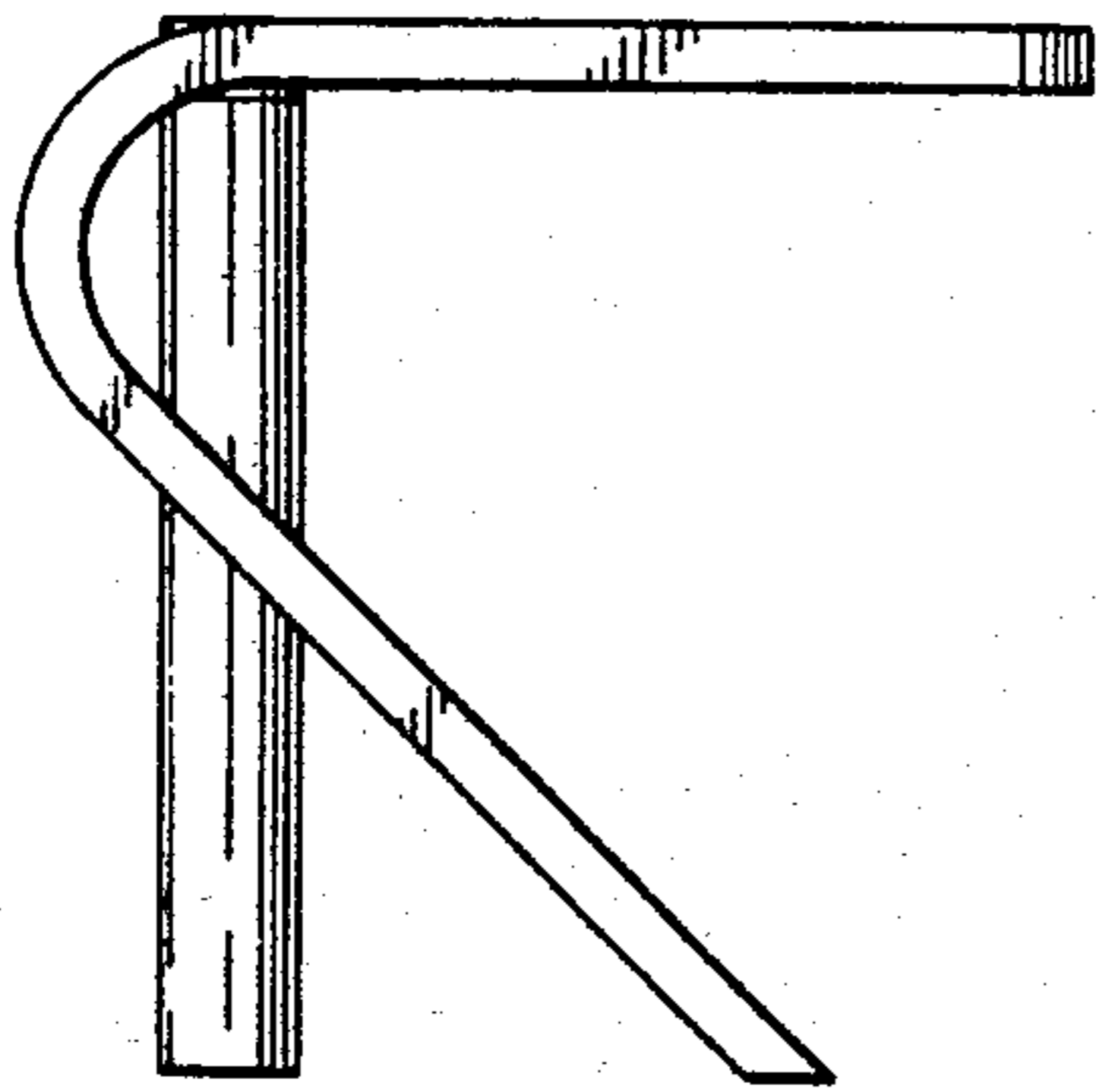


FIG. 2

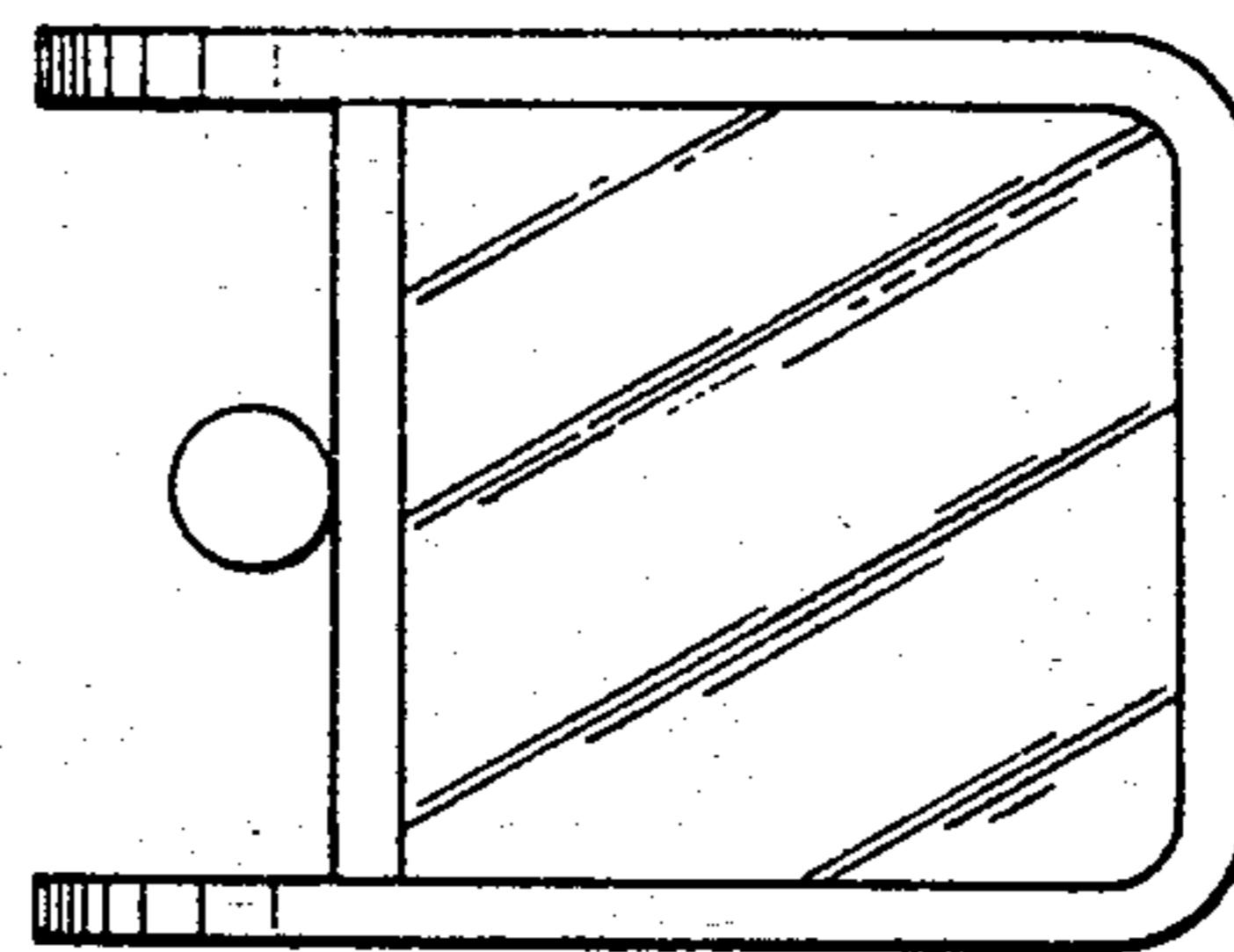


FIG. 3

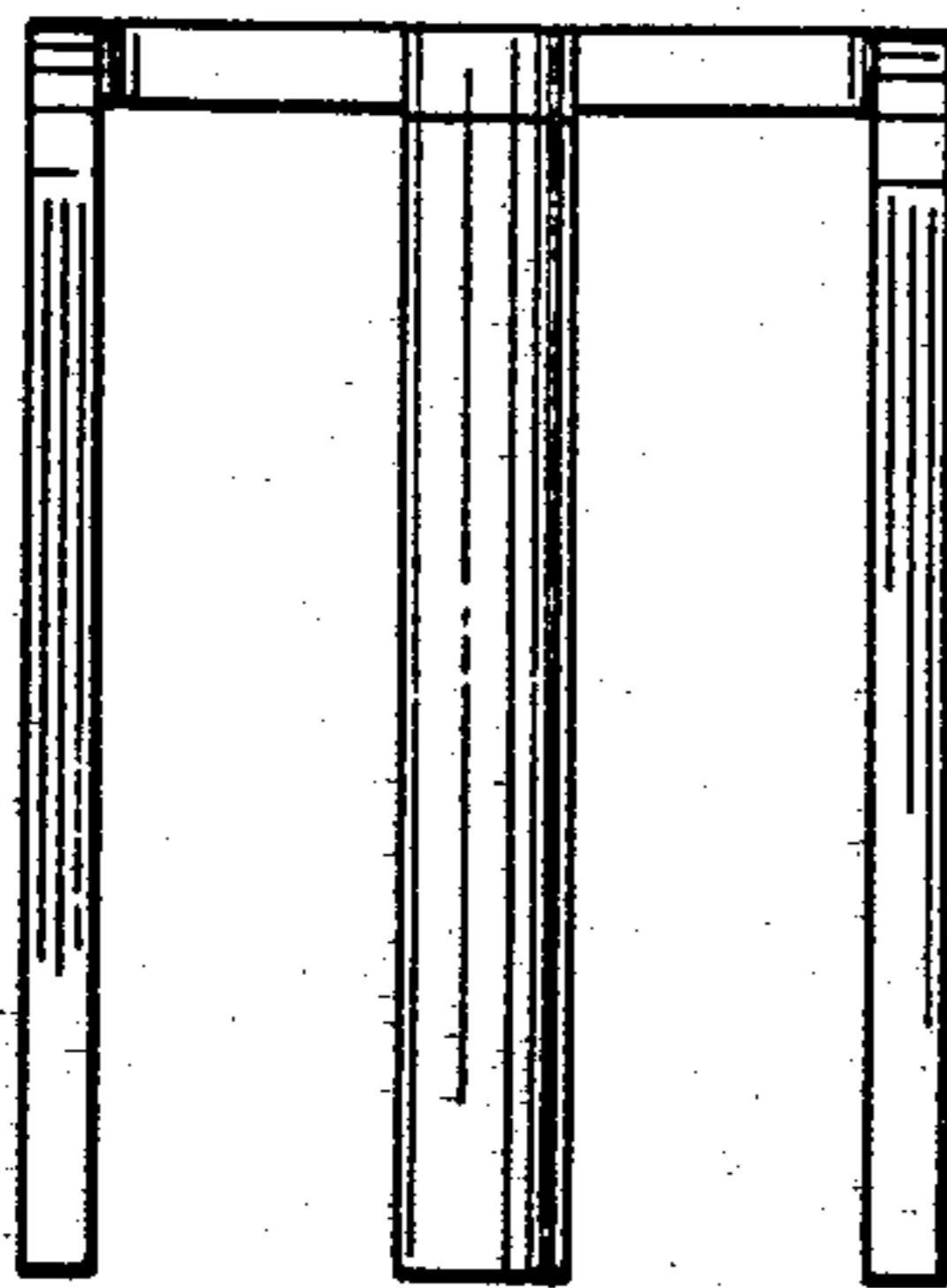


FIG. 4

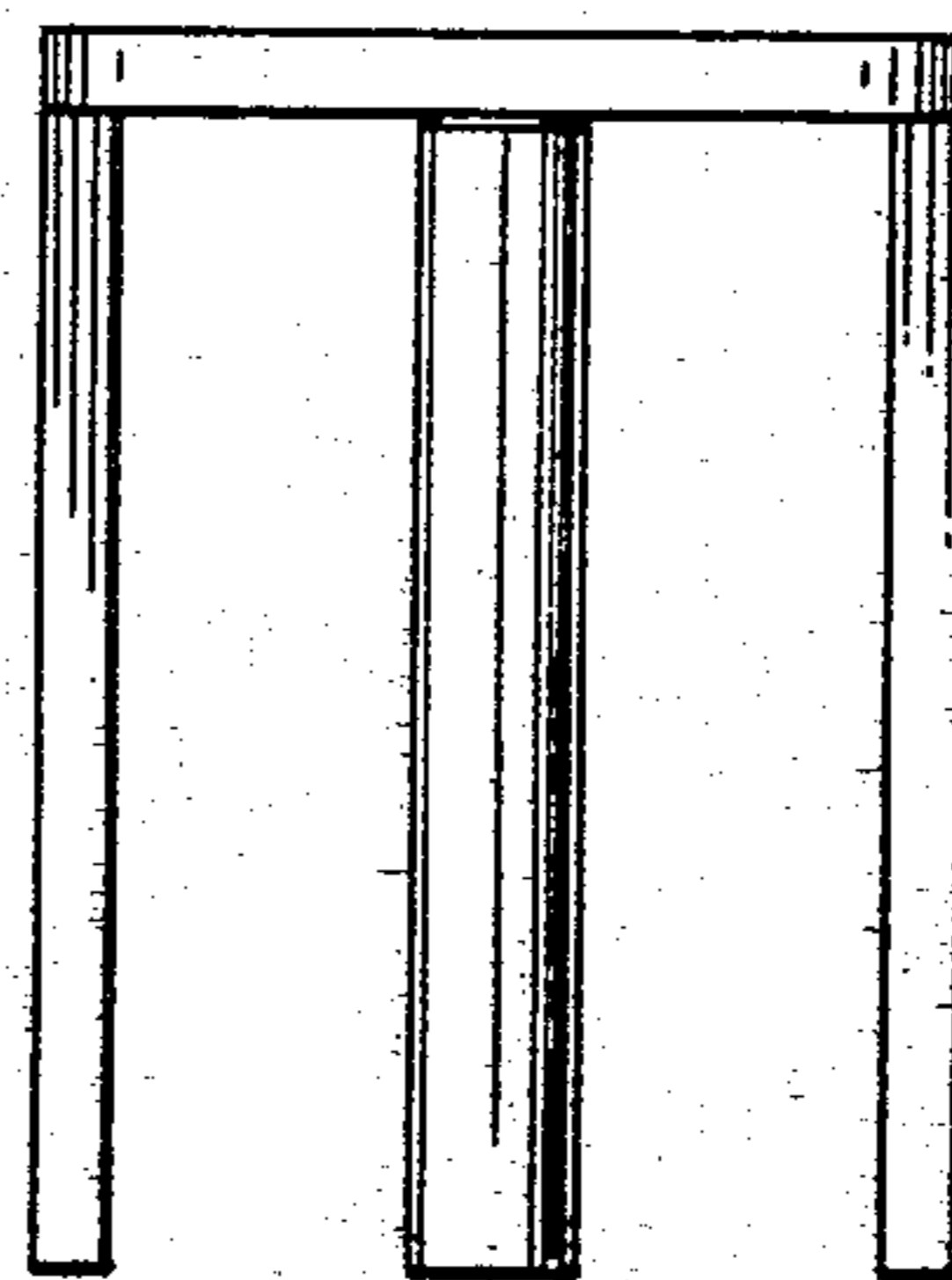


FIG. 5