

United States Patent [19]

Moore

[11] Patent Number: **Des. 289,946**

[45] Date of Patent: **** May 26, 1987**

[54] **PORTABLE CUPBOARD**

[75] Inventor: **William S. Moore, San Antonio, Tex.**

[73] Assignee: **Camper's Kitchen, Inc., San Antonio, Tex.**

[**] Term: **14 Years**

[21] Appl. No.: **594,346**

[22] Filed: **Mar. 28, 1984**

[52] U.S. Cl. **D3/30.1; D3/74; D3/78**

[58] Field of Search **D3/30.1, 33, 35, 74, D3/78; 312/DIG. 33; 190/10, 11, 12 R, 12 A; 206/541, 549, 577**

[56] **References Cited**

U.S. PATENT DOCUMENTS

- D. 143,491 1/1946 Hopkins D3/74
- D. 258,175 2/1981 Hazeltine D3/74
- D. 261,825 11/1981 Benson et al. D3/74
- D. 281,837 12/1985 Lin D3/74

- 2,515,876 7/1950 Kauffman 190/12 R
- 3,904,003 9/1975 Margerum D3/74

FOREIGN PATENT DOCUMENTS

- 29838 11/1925 France 190/12 R

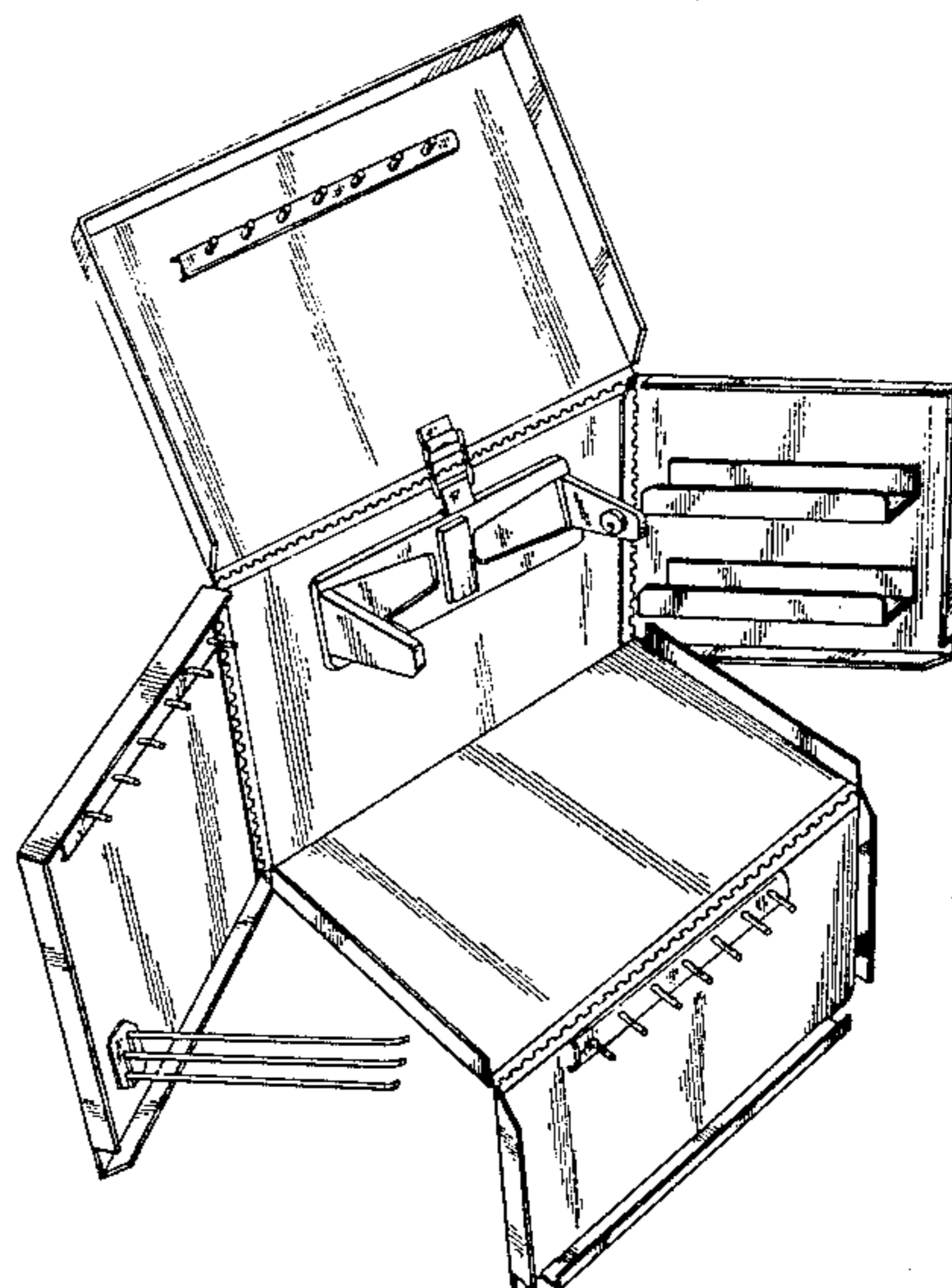
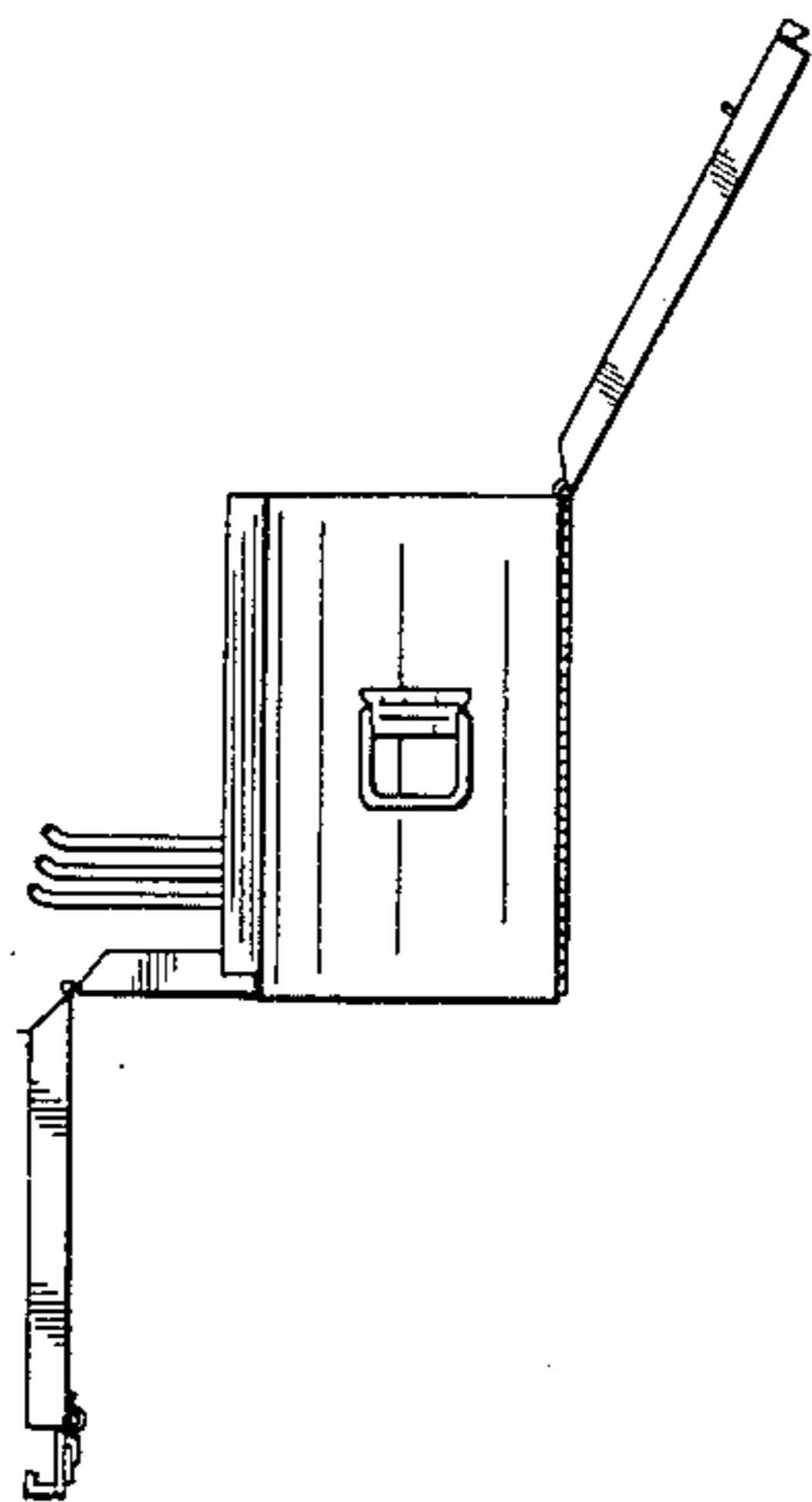
Primary Examiner—George P. Word
Attorney, Agent, or Firm—Cox & Smith Inc.

[57] **CLAIM**

The ornamental design for a portable cupboard, as shown and described.

DESCRIPTION

FIG. 1 is a top plan view of a portable cupboard showing my new design in the open condition; FIG. 2 is a front elevational view thereof; FIG. 3 is a right side elevational view thereof; FIG. 4 is a rear elevational view thereof; FIG. 5 is a left side elevational view thereof; FIG. 6 is a bottom plan view thereof; FIG. 7 is a perspective view thereof; and FIG. 8 is a perspective view of my new design in closed condition.



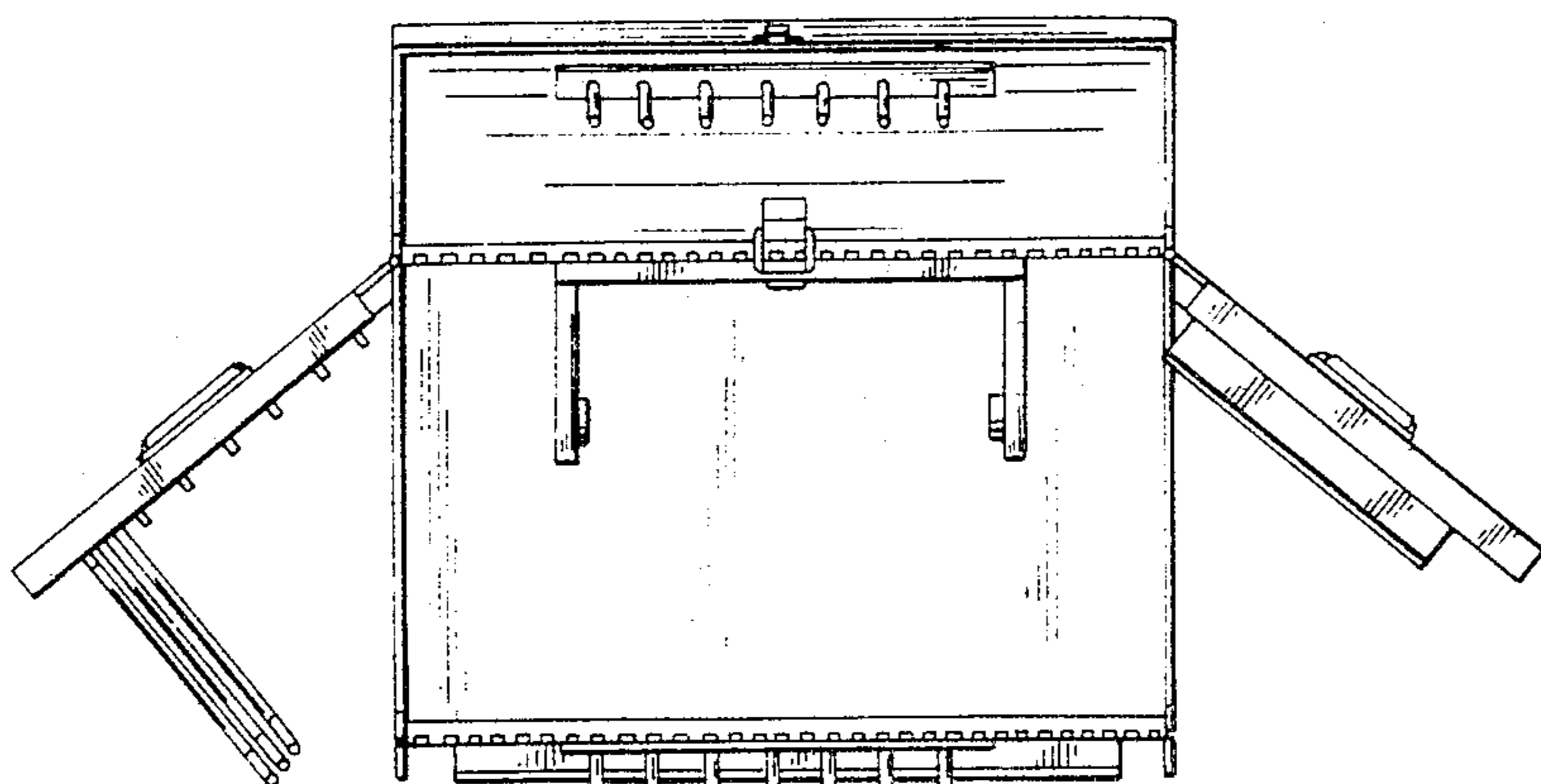


FIG 1

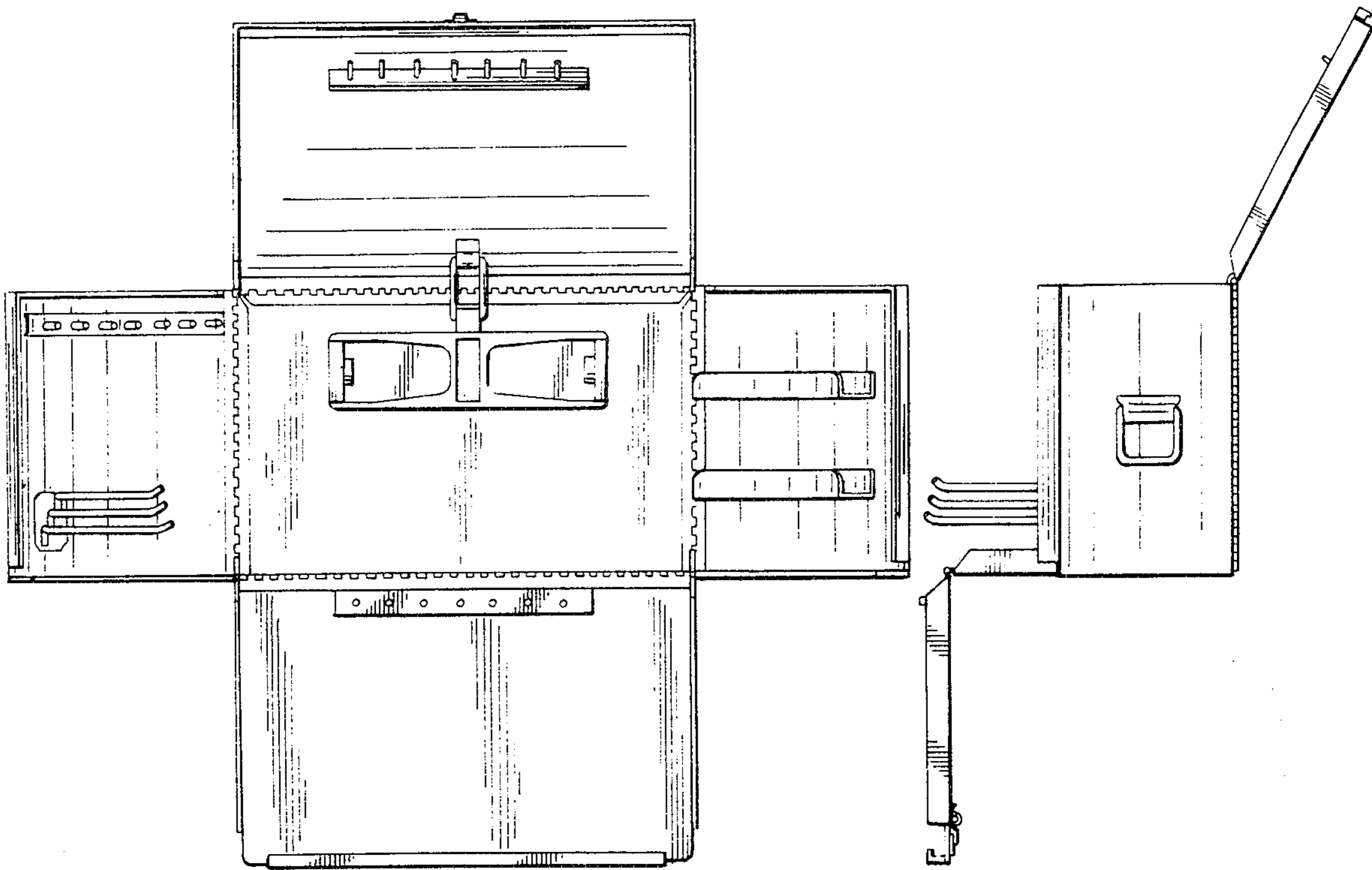


FIG 2

FIG 3

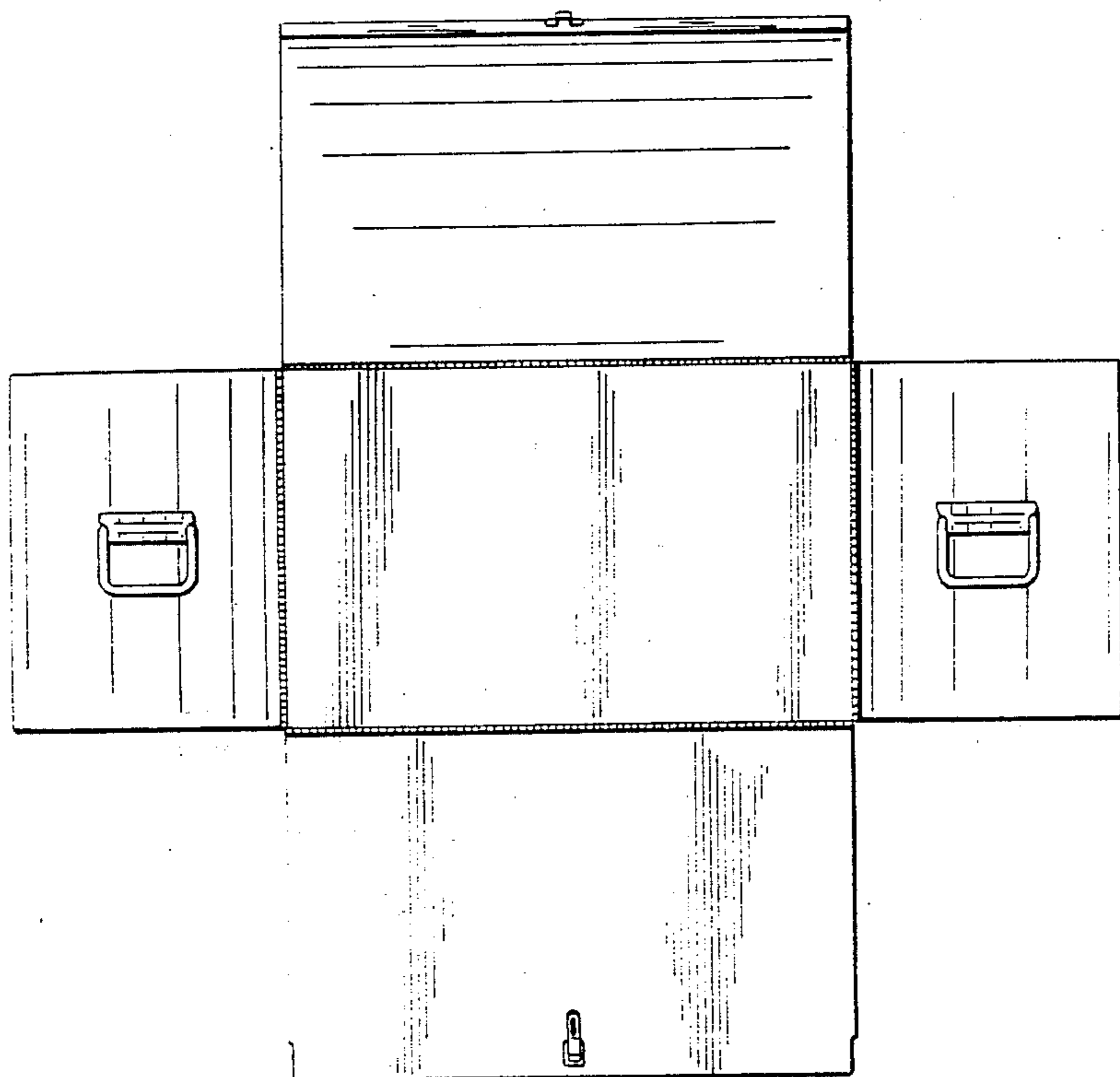


FIG 4

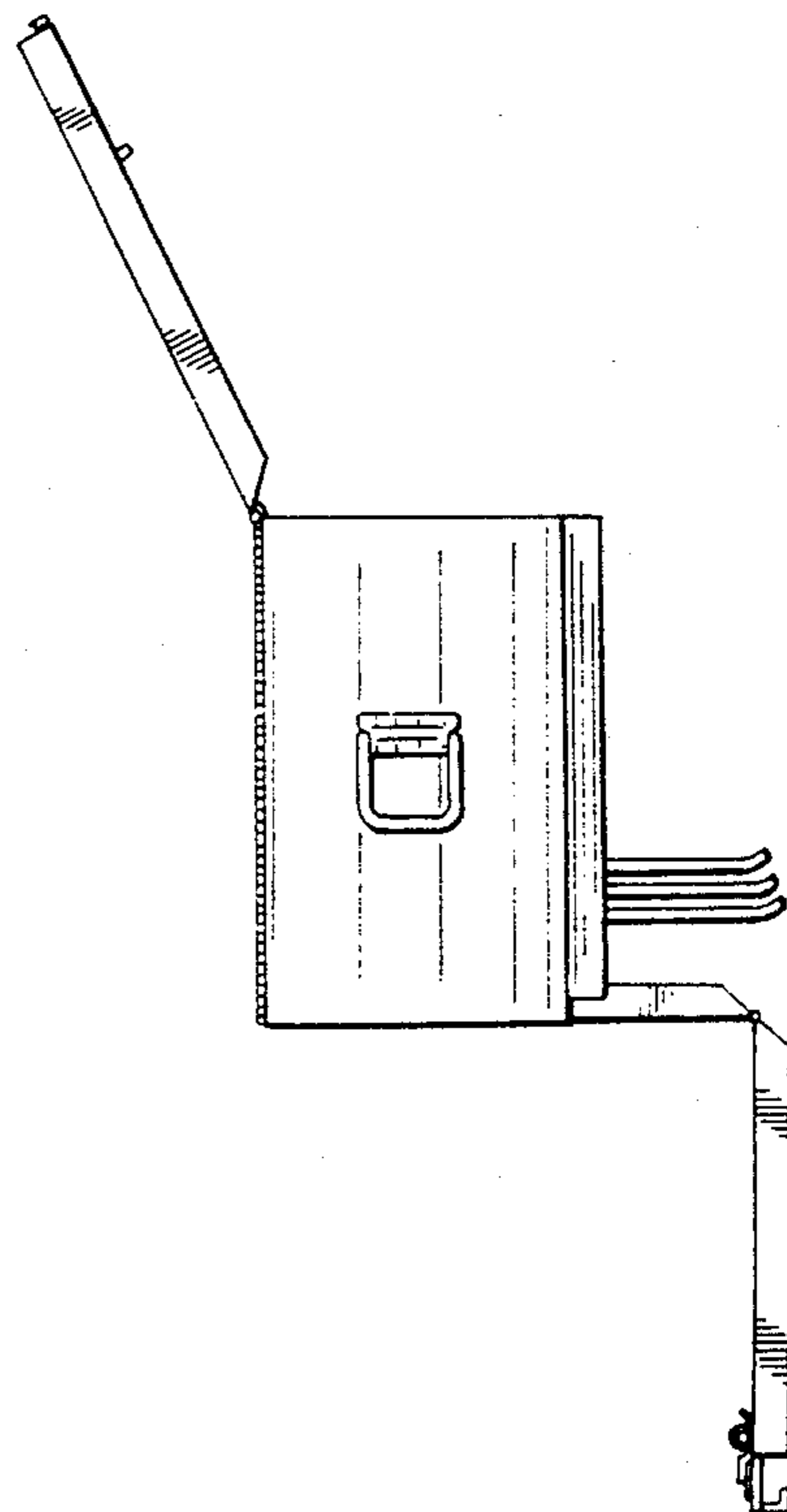


FIG 5

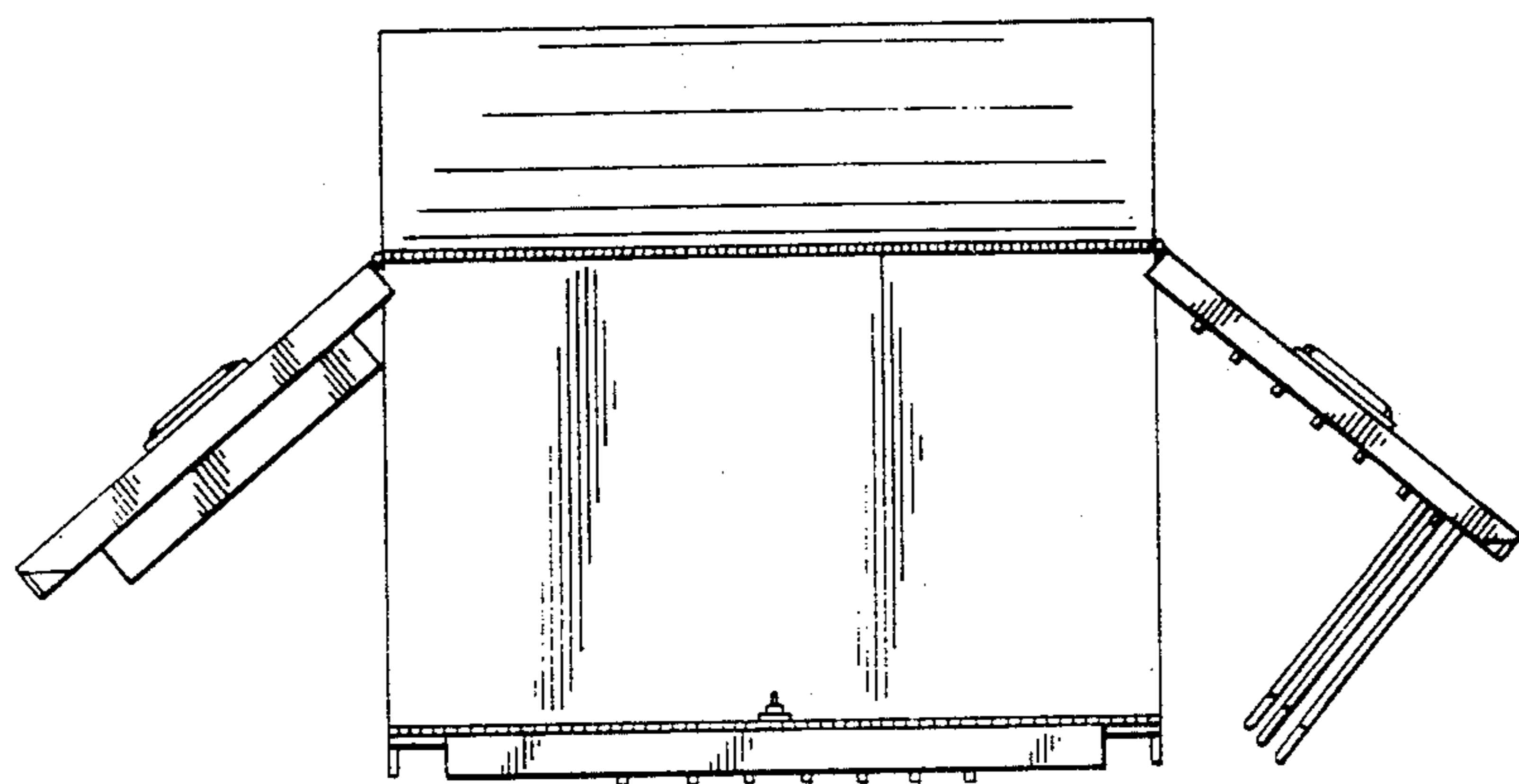


FIG 6

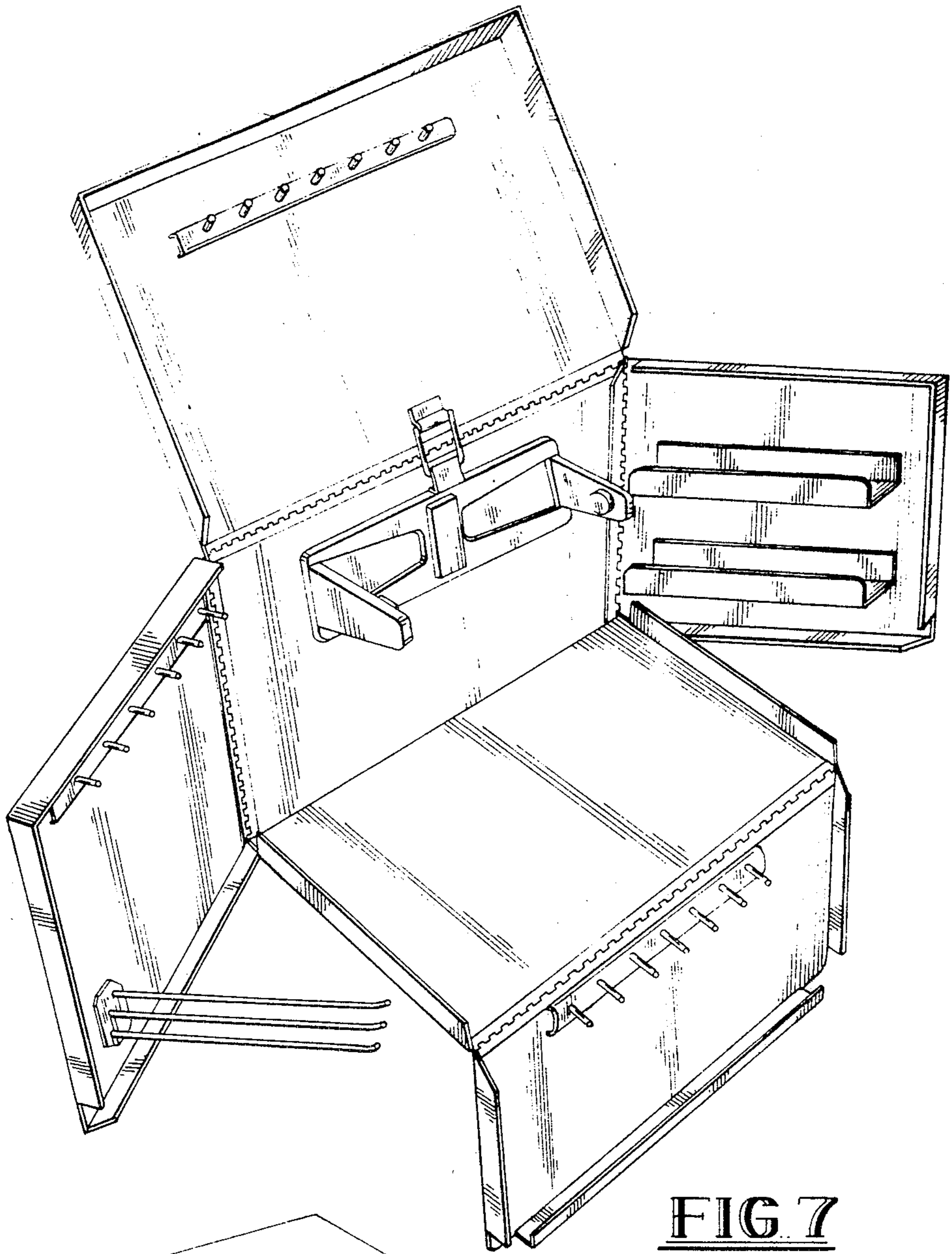


FIG 7

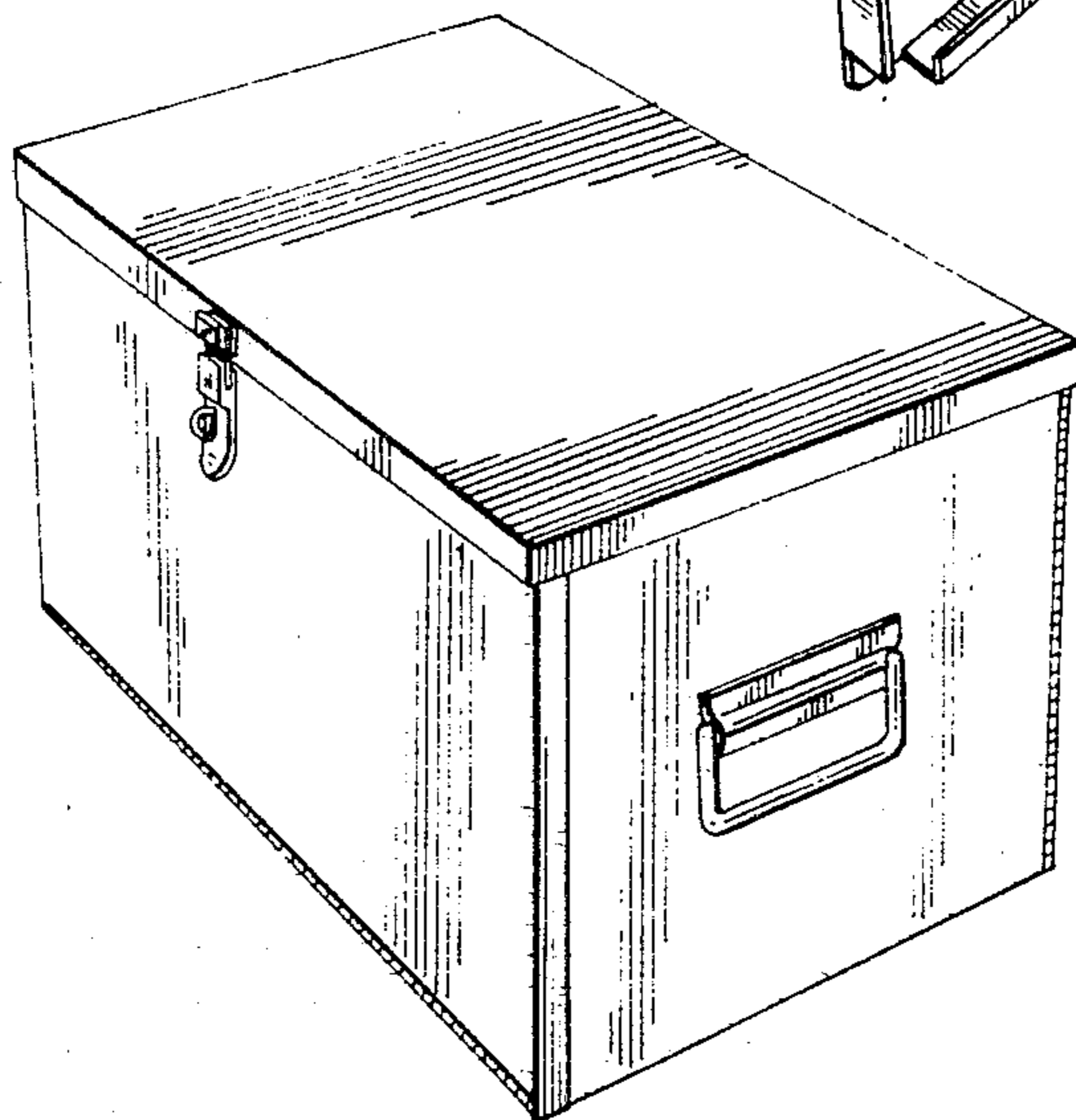


FIG 8