

[54] CRATE

[75] Inventor: Michael J. Warwick, Randburg, South Africa

[73] Assignee: Mega Plastic Industries (Proprietary) Limited, Clayville, South Africa

[**] Term: 14 Years

[21] Appl. No.: 684,464

[22] Filed: Dec. 21, 1984

[52] U.S. Cl. D34/45

[58] Field of Search 206/203; D9/341, 345, D9/456, 424, 369, 453; D34/40, 45, 46, 44, 43; D7/70, 71

[56] References Cited

U.S. PATENT DOCUMENTS

- D. 98,200 1/1936 Worthington D34/45
- D. 150,031 6/1948 Richards D34/45
- D. 161,064 11/1950 Stevenson D34/44
- D. 254,424 3/1980 Fredrick D34/43
- D. 255,574 6/1980 Carver D9/341 X
- D. 267,628 1/1983 Driscoll et al. D9/345

- D. 271,438 11/1983 Miller D34/43
- D. 275,142 8/1984 Torokvei D34/40
- D. 280,773 9/1985 Addy, Jr. et al. D34/45 X
- 3,197,058 7/1965 Hale D9/341 X

FOREIGN PATENT DOCUMENTS

841225 2/1984 South Africa .

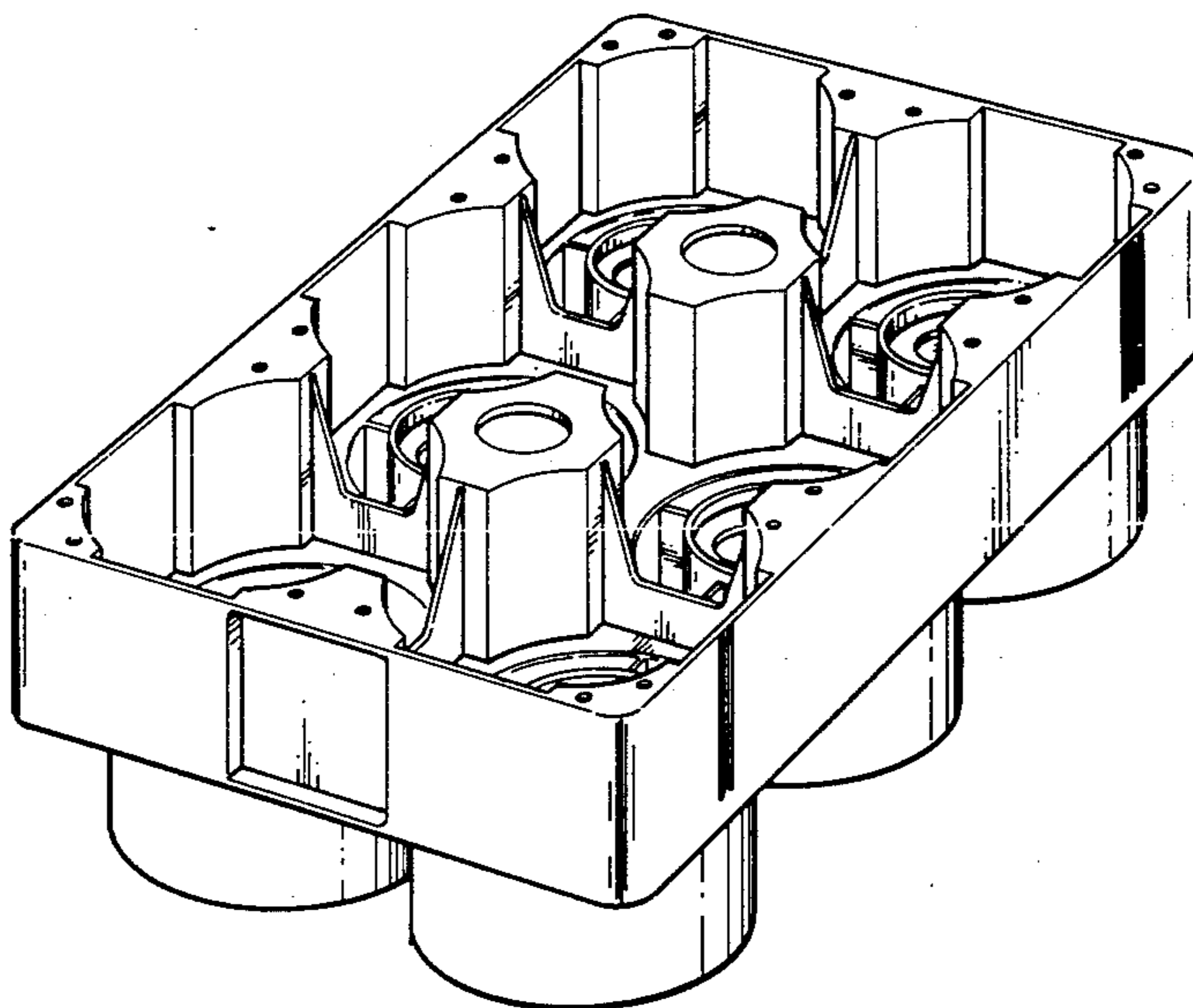
Primary Examiner—Robert C. Spangler
Attorney, Agent, or Firm—Ladas & Parry

[57] CLAIM

The ornamental design for a crate, as shown and described.

DESCRIPTION

FIG. 1 is a perspective view of a crate showing my new design;
 FIG. 2 is another perspective view;
 FIG. 3 is a top plan view;
 FIG. 4 is a bottom plan view;
 FIG. 5 is a side elevational view, the opposite side being the same in appearance; and
 FIG. 6 is an end elevational view, the opposite end being the same in appearance.



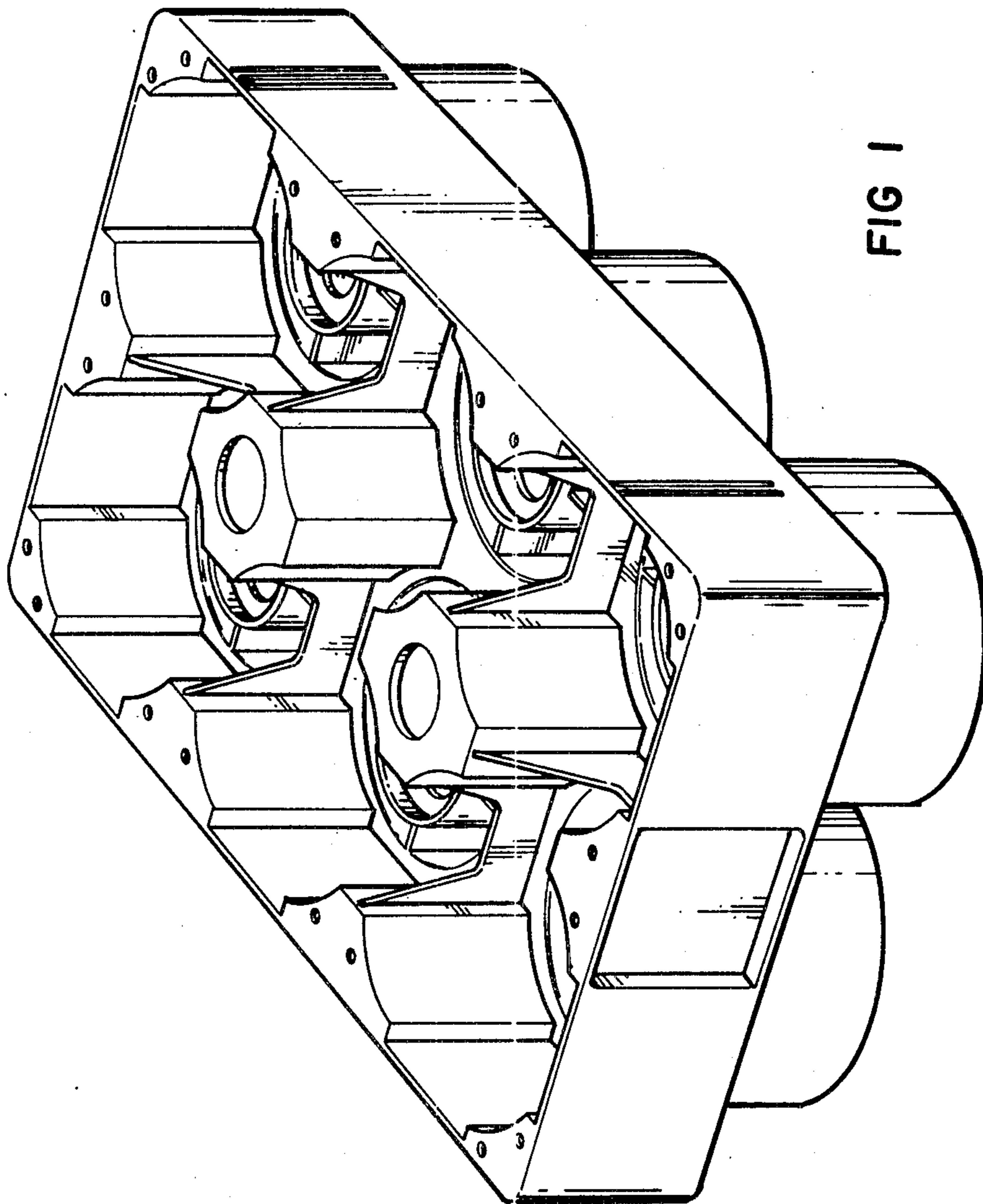


FIG 1

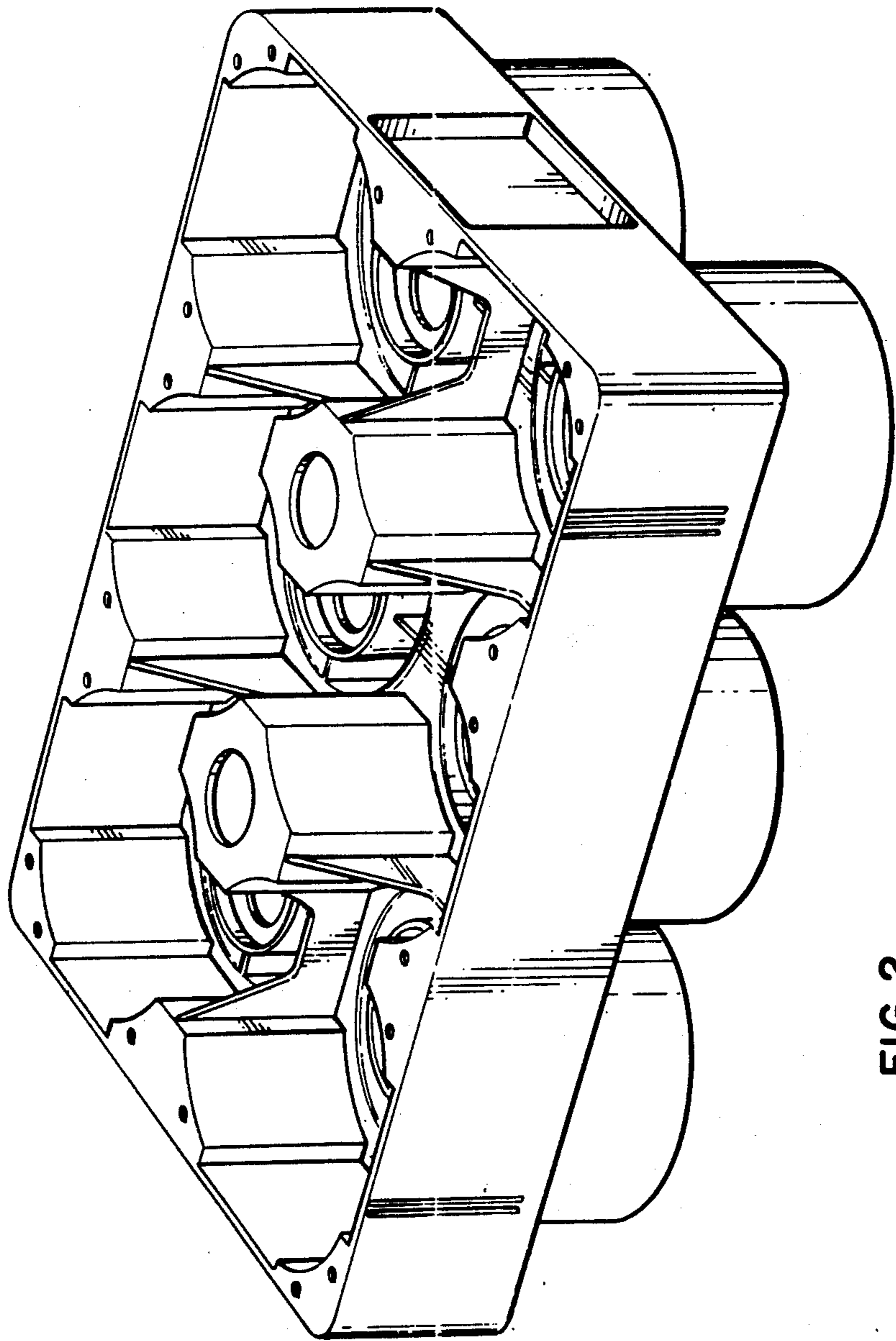


FIG 2

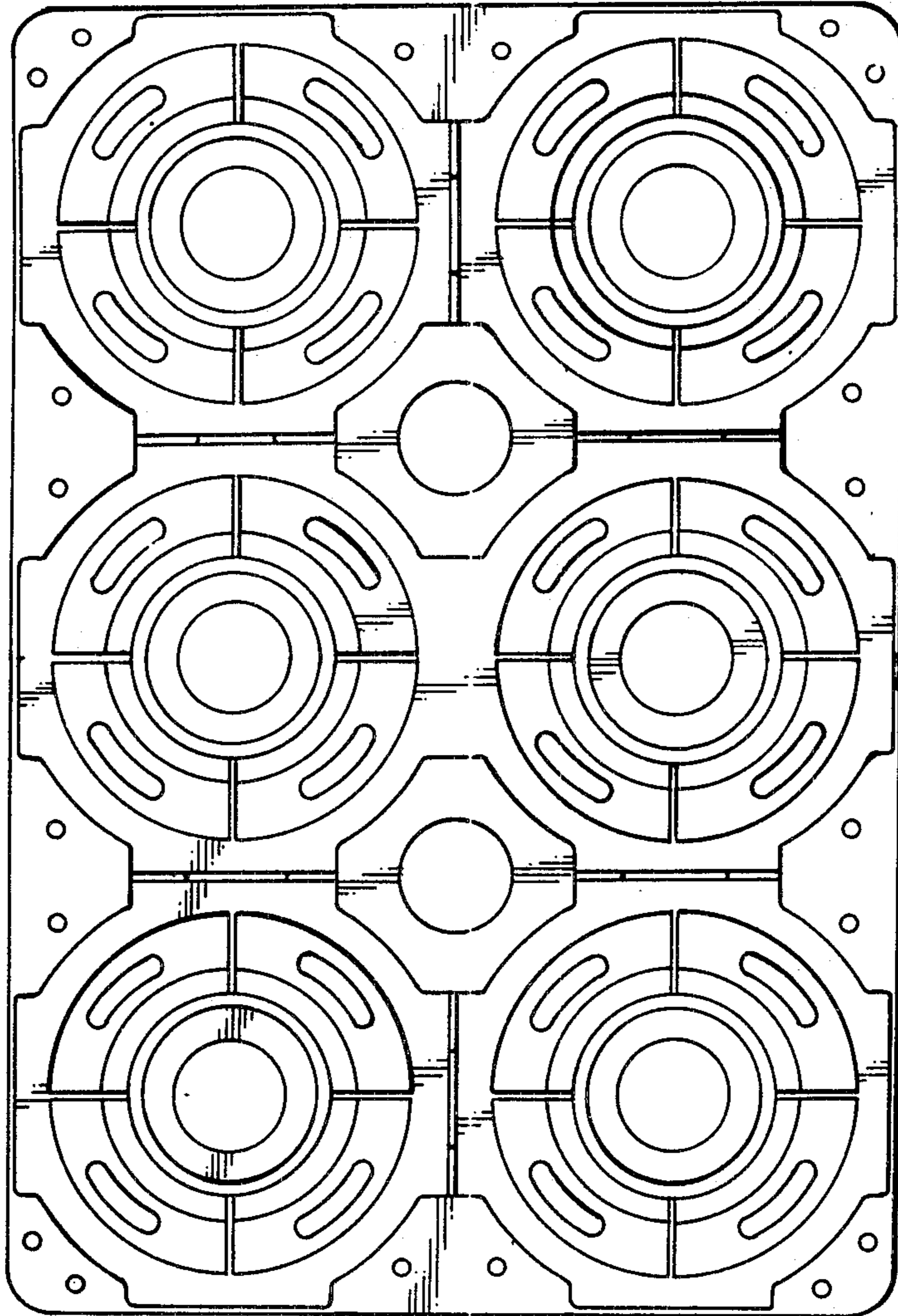


FIG 3

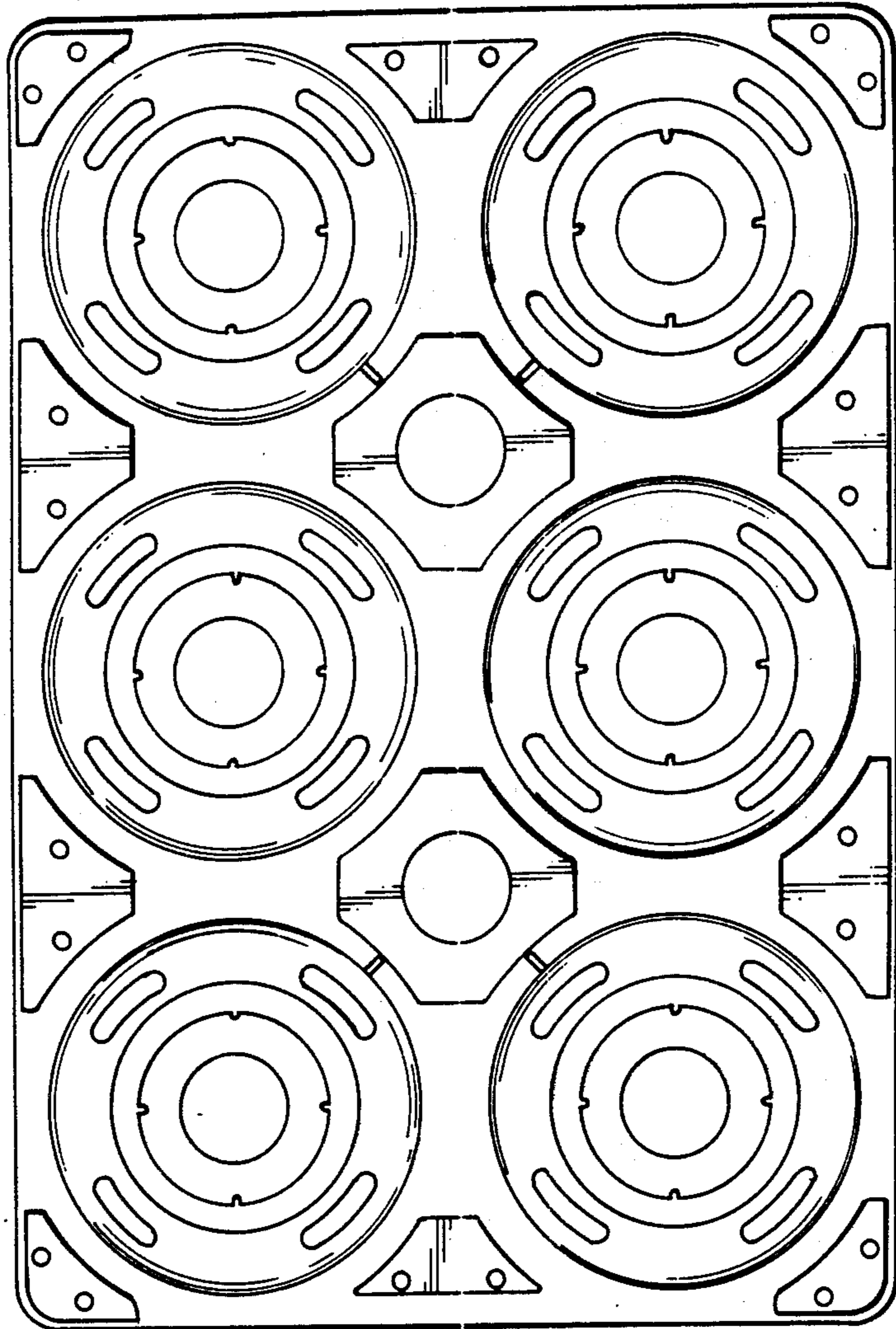


FIG 4

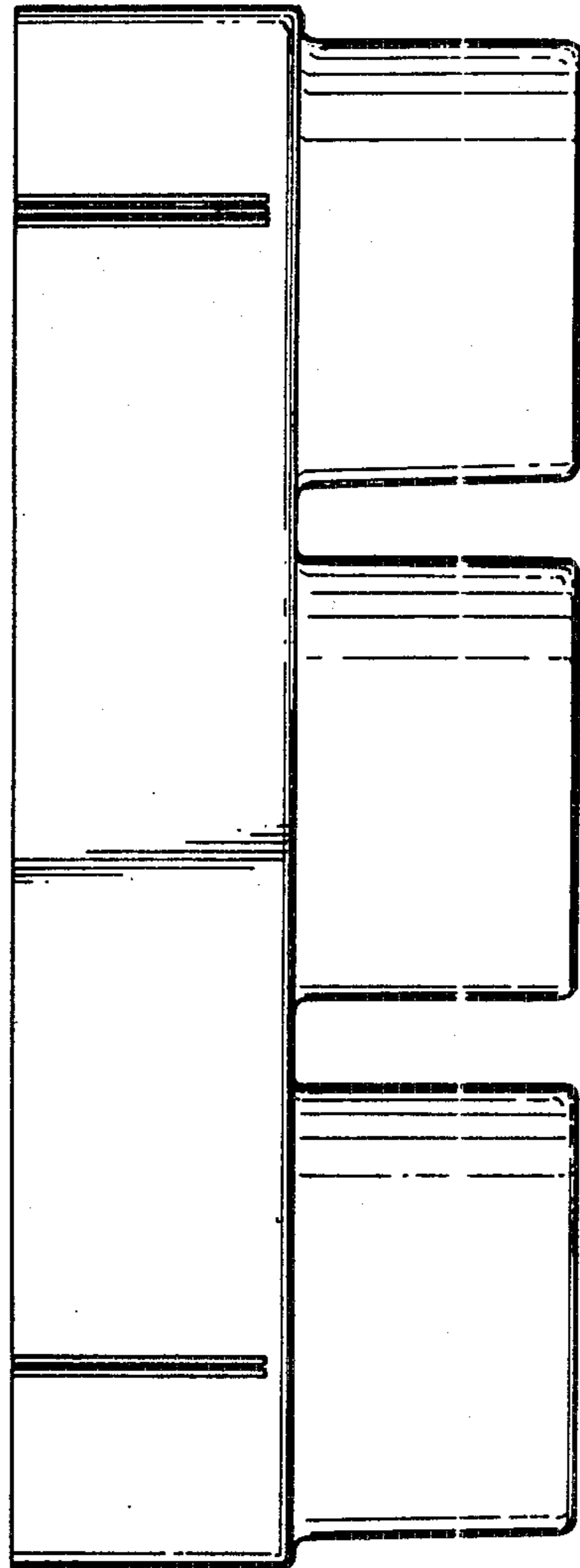


FIG 5

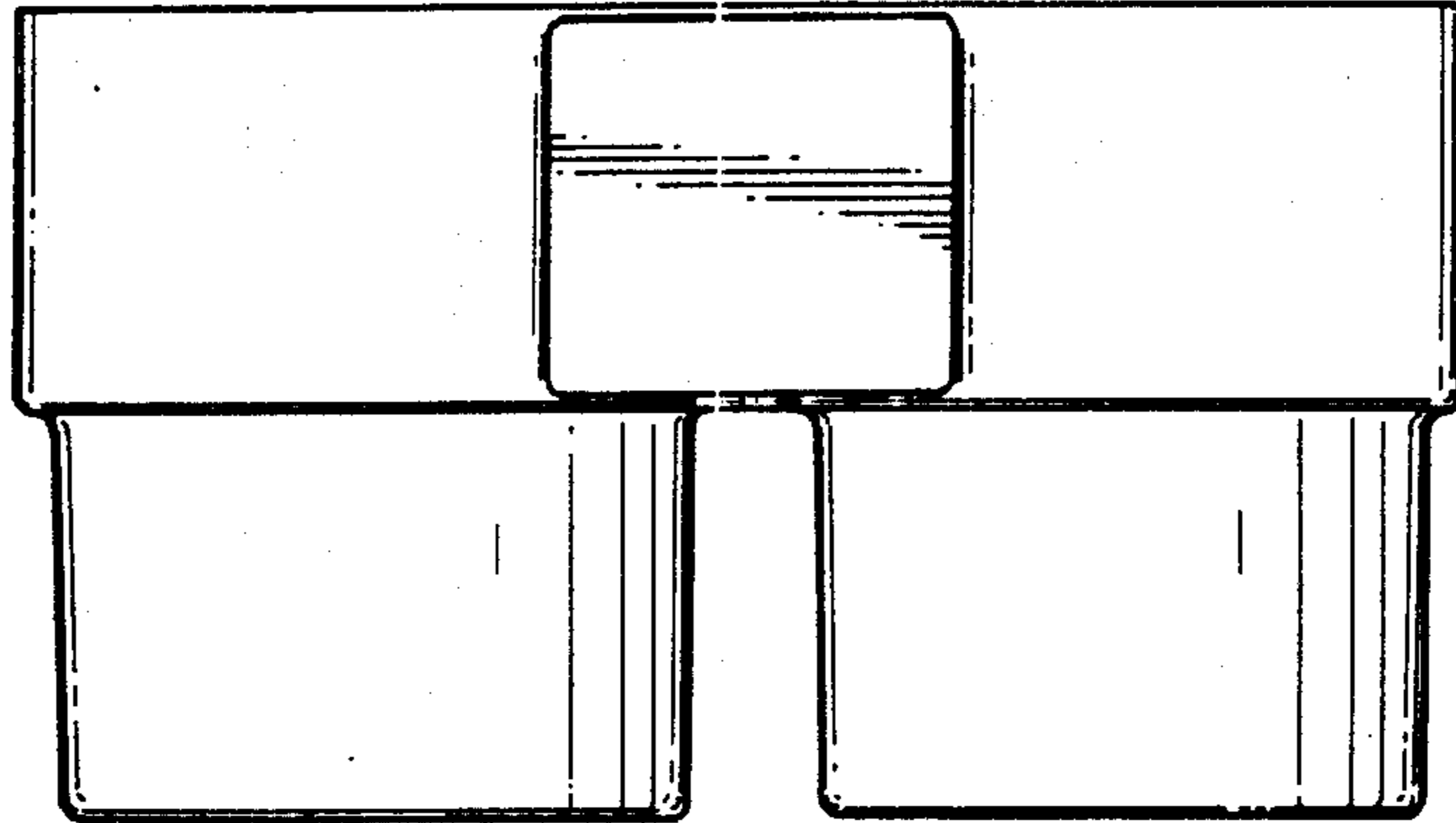


FIG 6