

[54] TRASH CAN CART

[76] Inventor: Ian R. Shoctor, 15004 - 89 Avenue, Edmonton, Alberta, Canada, T5R 4R1

[**] Term: 14 Years

[21] Appl. No.: 596,396

[22] Filed: Apr. 3, 1984

[52] U.S. Cl. D34/24

[58] Field of Search D34/12-27; 280/47.17, 47.19, 47.34, 47.35, 47.26, 47.24, 98, 129, 47.33; 211/71; 248/129, DIG. 7, 172

[56] References Cited

U.S. PATENT DOCUMENTS

D. 146,848 6/1947 Brickson D34/24

D. 198,621 7/1964 Juen D34/24
D. 198,920 8/1964 Corbett D34/13
D. 219,581 12/1970 Parsons D34/24
D. 227,880 7/1973 Steinhoff D34/24
D. 266,367 9/1982 Marini et al. D34/24
3,102,707 9/1963 Jacklin et al. 248/DIG. 7
4,362,309 12/1982 Stamper 280/47.19

Primary Examiner—James M. Gandy
Assistant Examiner—Kay H. Chin
Attorney, Agent, or Firm—George H. Dunsmuir

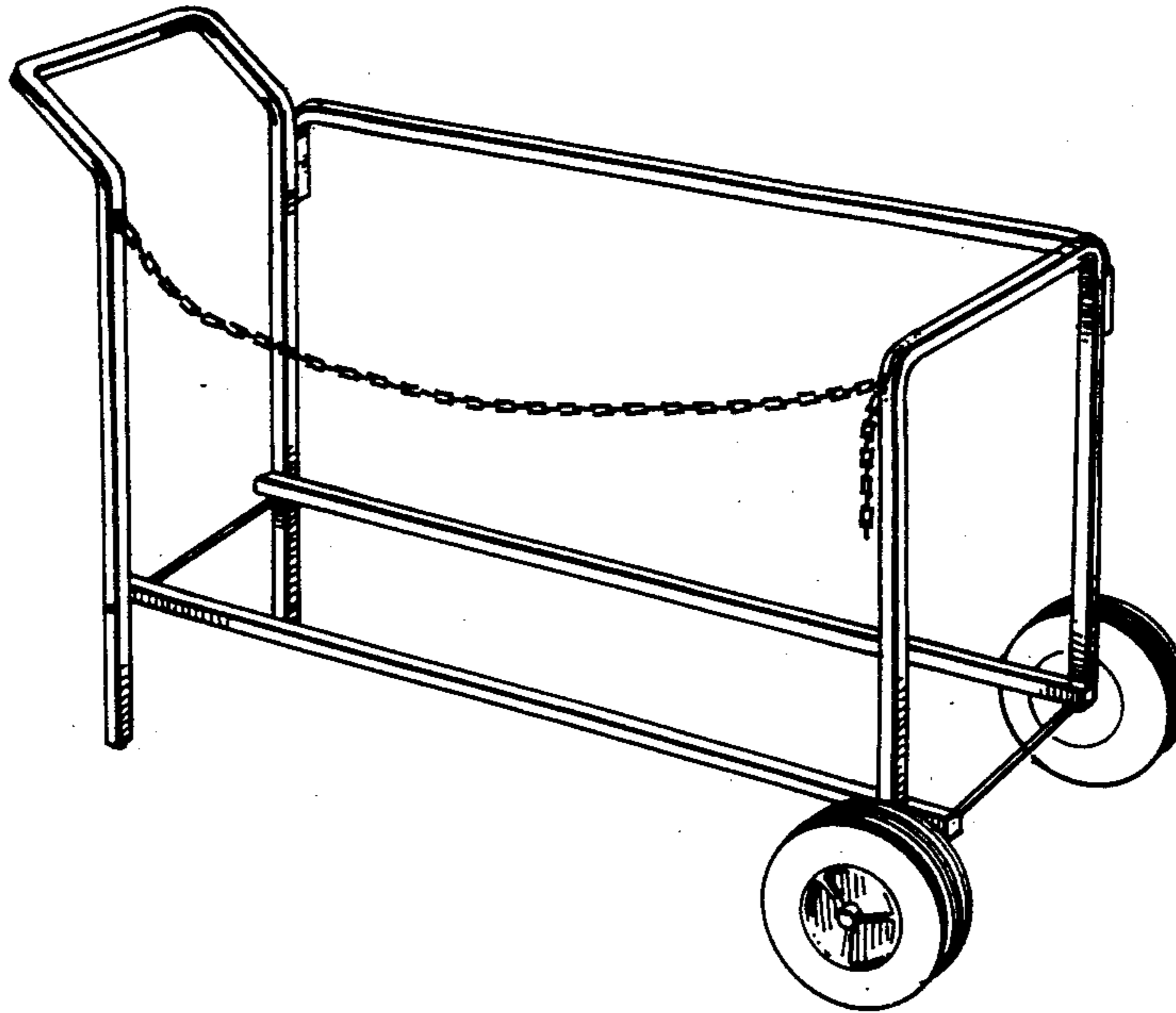
[57] CLAIM

The ornamental design for a trash can cart, as shown.

DESCRIPTION

FIG. 1 is a perspective view of a trash can cart showing my new design;

FIG. 2 is a front elevational view thereof.



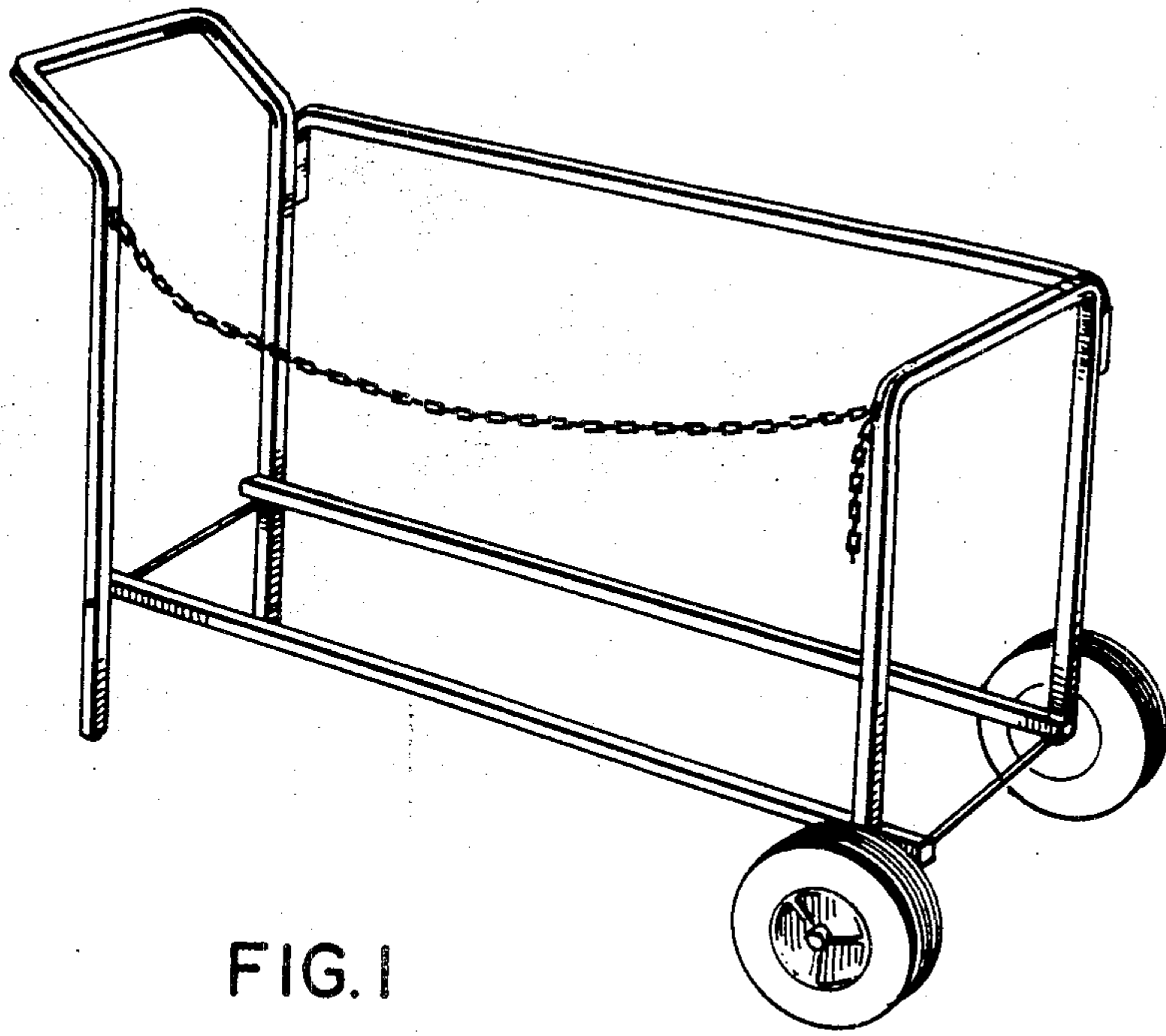


FIG. 1

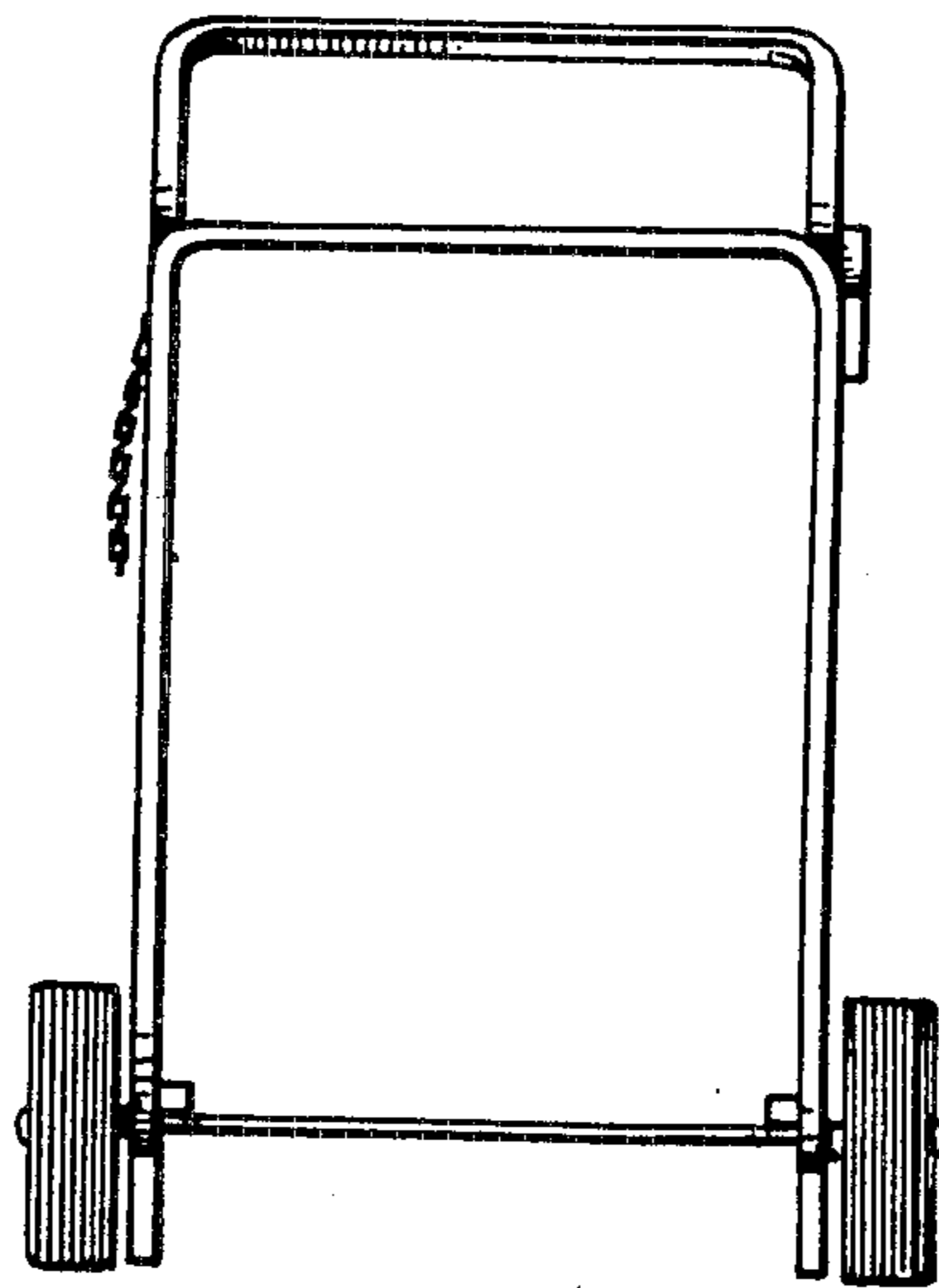


FIG. 2