

[54] TRASH BAG AND LEAF HOLDER

[76] Inventor: Frank Pesca, 105 E. Bramblewood Dr., Port Richey, Fla. 33568

[\*\*] Term: 14 Years

[21] Appl. No.: 618,907

[22] Filed: Jun. 8, 1984

[52] U.S. Cl. .... D34/6

[58] Field of Search ..... D34/1, 4, 5, 6, 10, D34/11; 248/95, 97, 98, 99, 100, 101; D19/76; D3/73; 53/390

[56] References Cited

U.S. PATENT DOCUMENTS

- 2,789,781 4/1957 Miller ..... 248/101
- 3,388,882 6/1968 Burroughs et al. .... 248/101

- 3,861,630 1/1975 Ady ..... 248/101
- 3,870,261 3/1975 McSwain ..... 248/101

FOREIGN PATENT DOCUMENTS

- 1545086 5/1979 United Kingdom ..... 248/99

Primary Examiner—James M. Gandy

Assistant Examiner—Kay H. Chin

[57] CLAIM

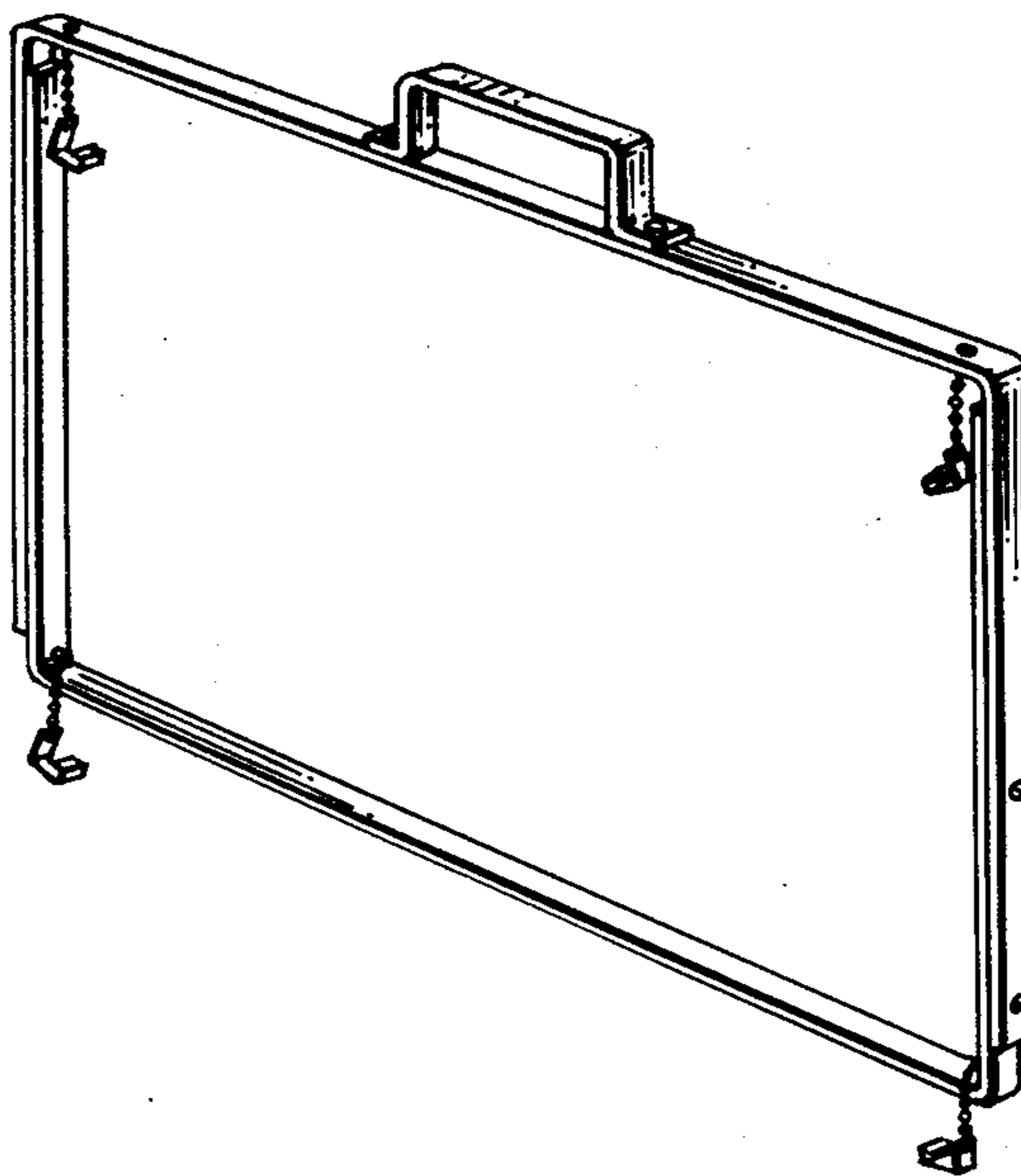
The ornamental design for a trash bag and leaf holder, as shown and described.

DESCRIPTION

FIG. 1 is perspective view of a trash bag and leaf holder showing my new design;

FIG. 2 is a left side elevational view thereof, the right elevation being a mirror image of that shown;

FIG. 3 is a bottom plan view thereof.



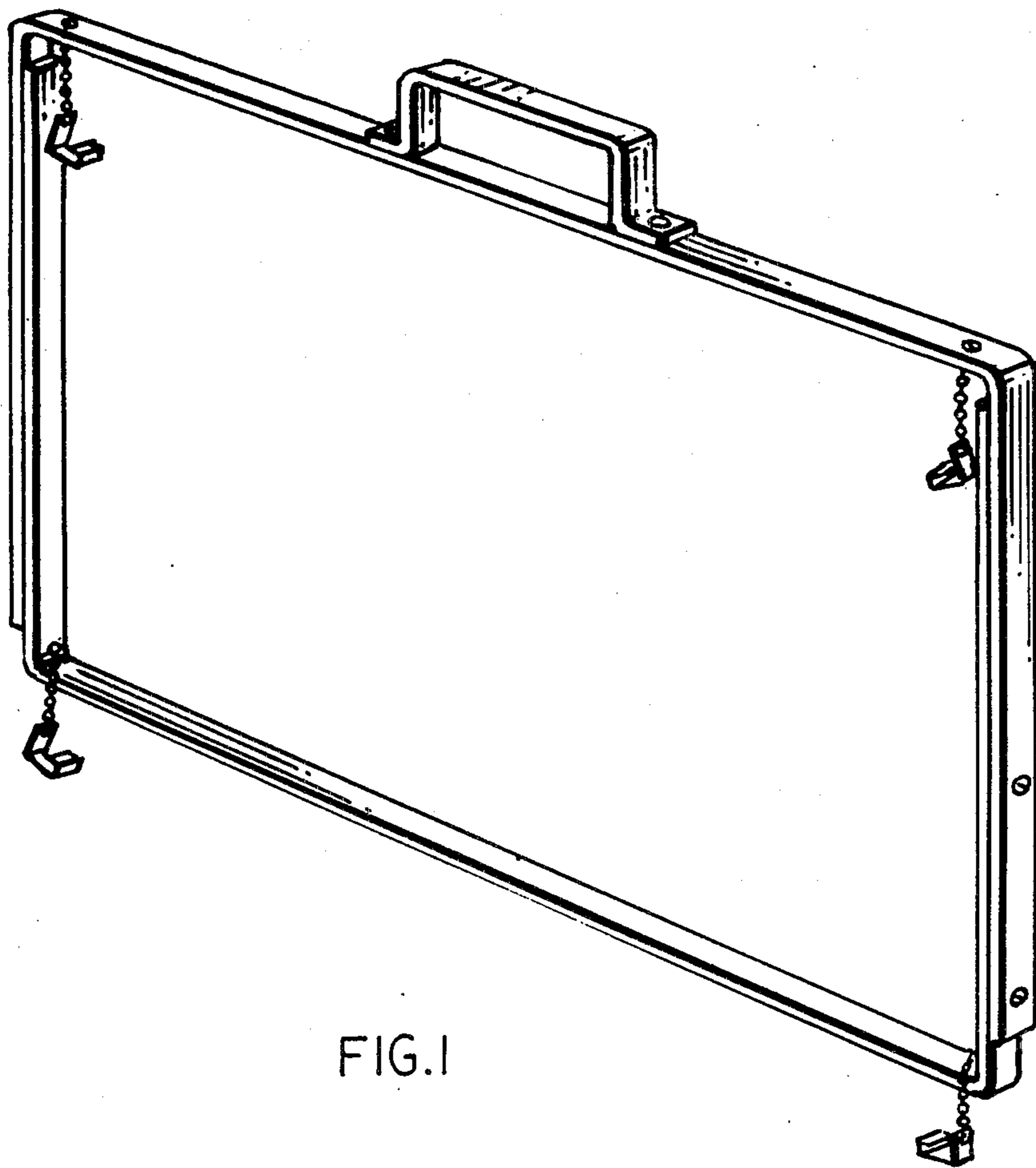


FIG. 1

FIG. 2

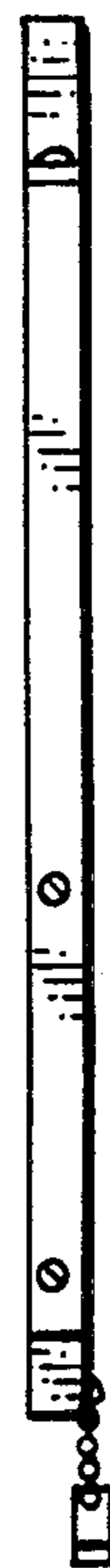


FIG. 3

