

[54] **HORSE STOCKS UNIT**

[76] **Inventor: Robert L. Brashear, 8009 Vinecrest Ave., Louisville, Ky. 40222**

[**] **Term: 14 Years**

[21] **Appl. No.: 644,460**

[22] **Filed: Aug. 27, 1984**

[52] **U.S. Cl. D30/1**

[58] **Field of Search D30/1, 2, 33, 44, 99; 119/15, 20, 27, 82, 96, 98**

[56]

References Cited

U.S. PATENT DOCUMENTS

44,095	9/1864	Hughes	119/98
229,199	11/1973	Smith	D30/99
254,753	4/1980	McDonald	D30/2
735,567	8/1903	McGowan	119/98
771,540	2/1903	Buckingham	285/63
825,018	7/1906	Davis	119/15.5 R
1,182,828	5/1916	Winans	119/98
1,621,760	3/1927	Stader et al.	119/98
2,714,367	8/1955	Arnold	119/27
2,804,046	8/1957	Turner	119/98 X
3,051,127	8/1962	Noreury	119/98 X
3,370,835	2/1968	Crowson	256/26
3,726,256	4/1973	Bernhardt et al.	119/20
4,201,158	5/1980	Parker	119/98

4,217,860	8/1980	Glogler	119/27
4,432,305	2/1984	Vernese	119/98
4,470,372	9/1984	Norman	119/98

FOREIGN PATENT DOCUMENTS

244147	of 0000	Australia .
289953	of 0000	United Kingdom .

Primary Examiner—Wallace R. Burke
Assistant Examiner—Brian N. Vinson
Attorney, Agent, or Firm—Antonelli, Terry & Wands

[57]

CLAIM

The ornamental design for horse stocks unit, substantially as shown and described.

DESCRIPTION

FIG. 1 is a top perspective view of a horse stocks unit showing my new design;
 FIG. 2 is a side elevational view thereof;
 FIG. 3 is an opposite side elevational view thereof;
 FIG. 4 is an end elevational view thereof, the opposite end being substantially similar in appearance;
 FIG. 5 is a top plan view thereof;
 FIG. 6 is a top perspective view of an alternate embodiment thereof, the only difference residing in the jointure of the vertical upright elements with the horizontal top cross bar elements.

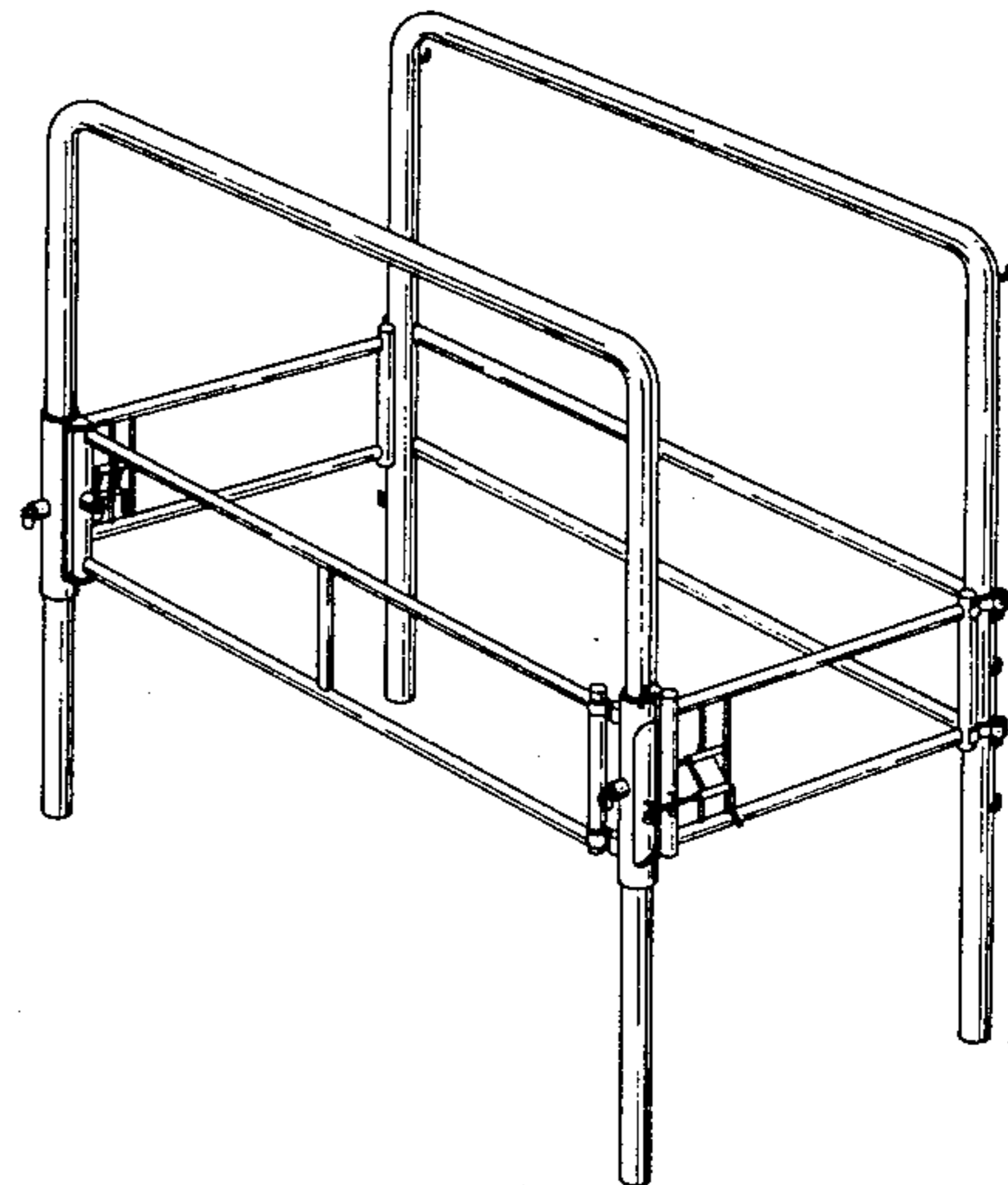
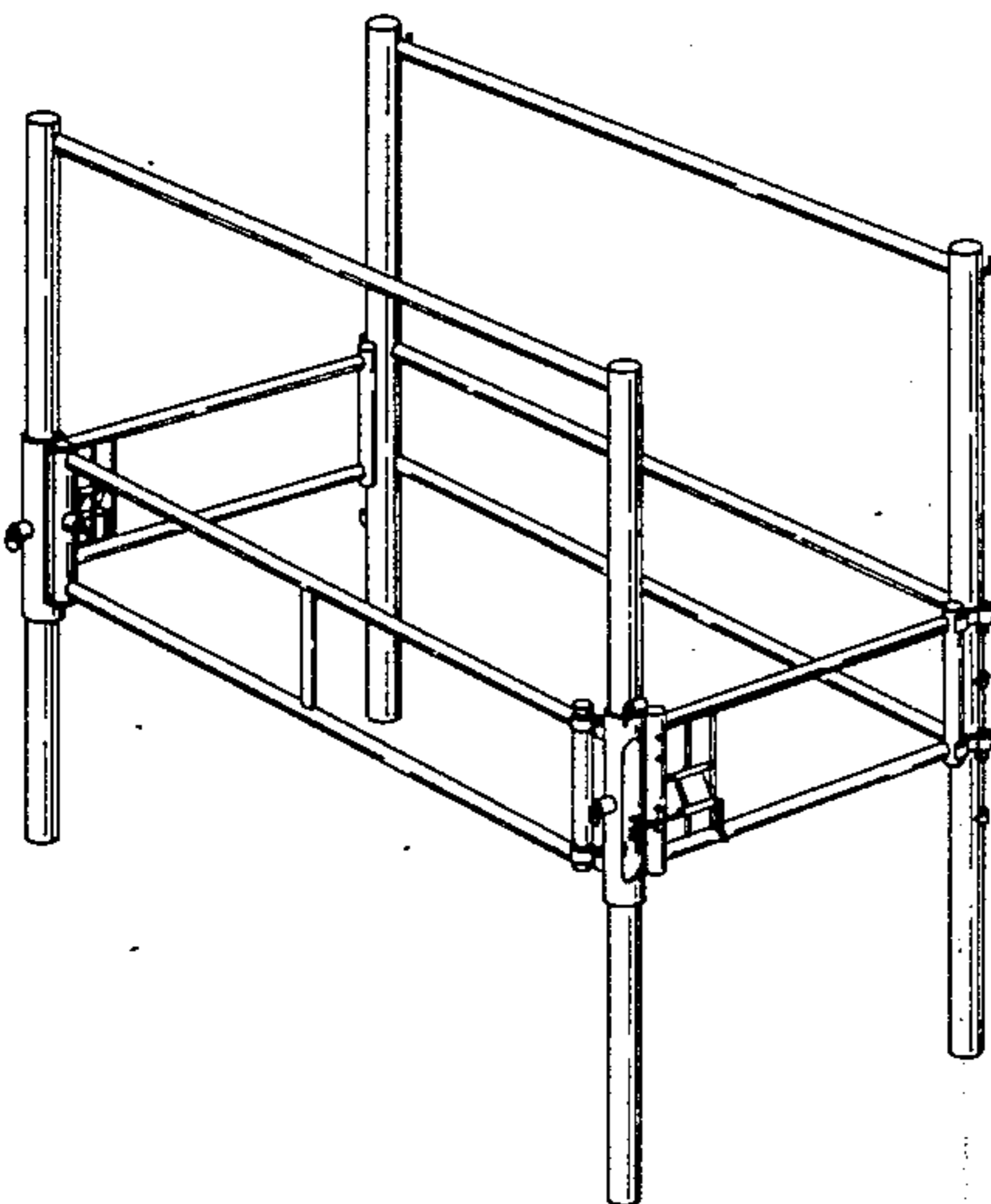


FIG. 1.

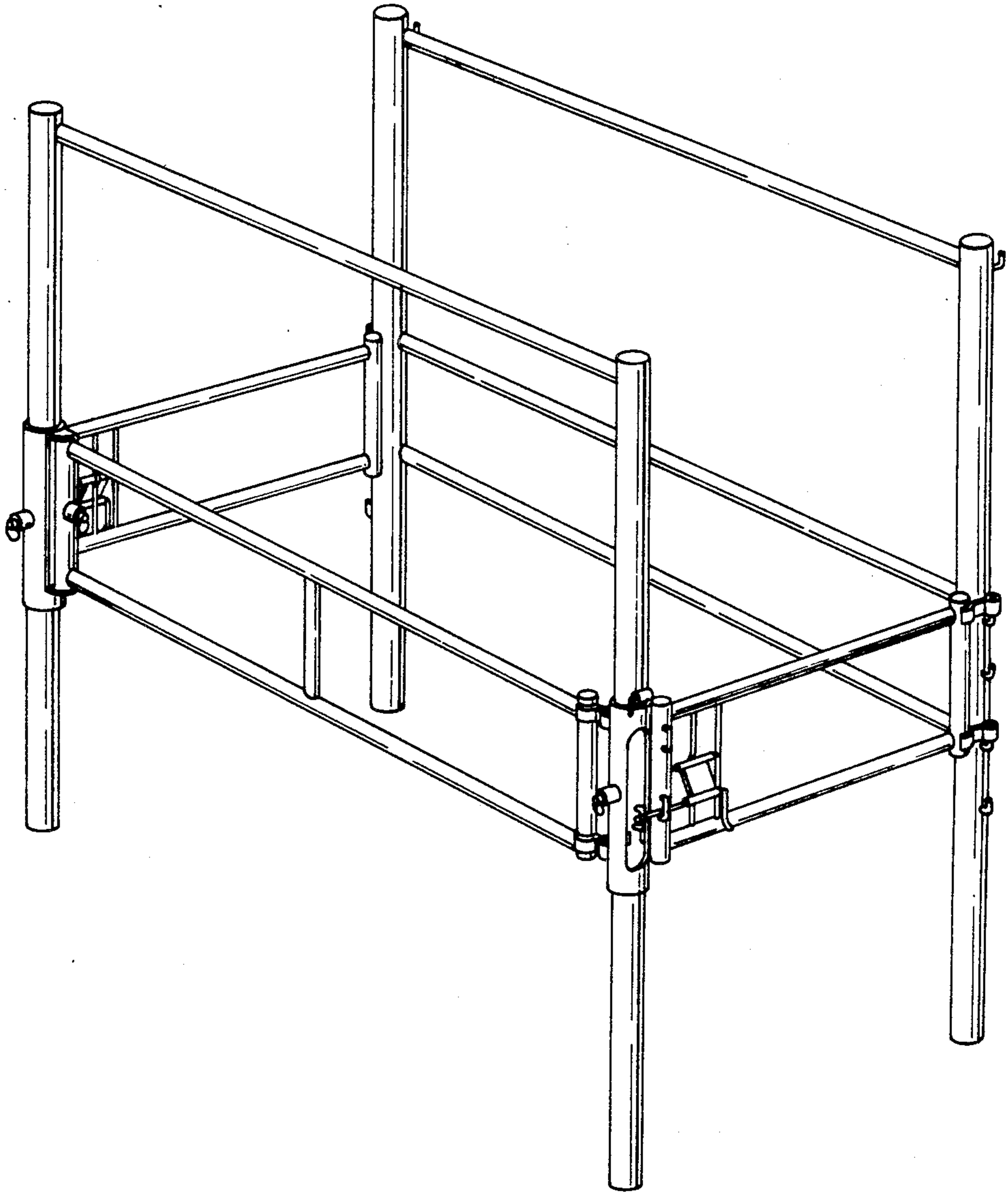


FIG. 2

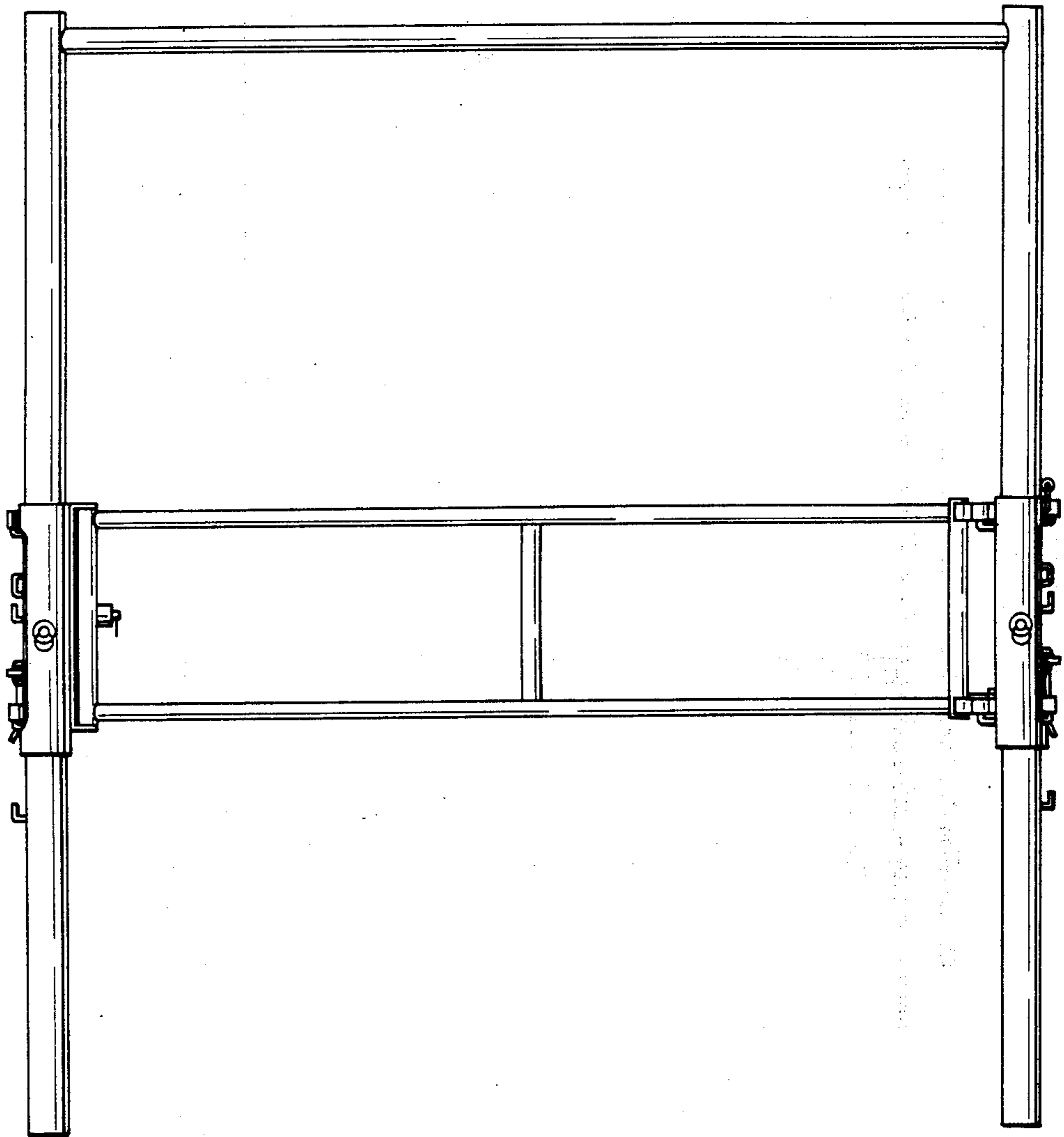


FIG. 3

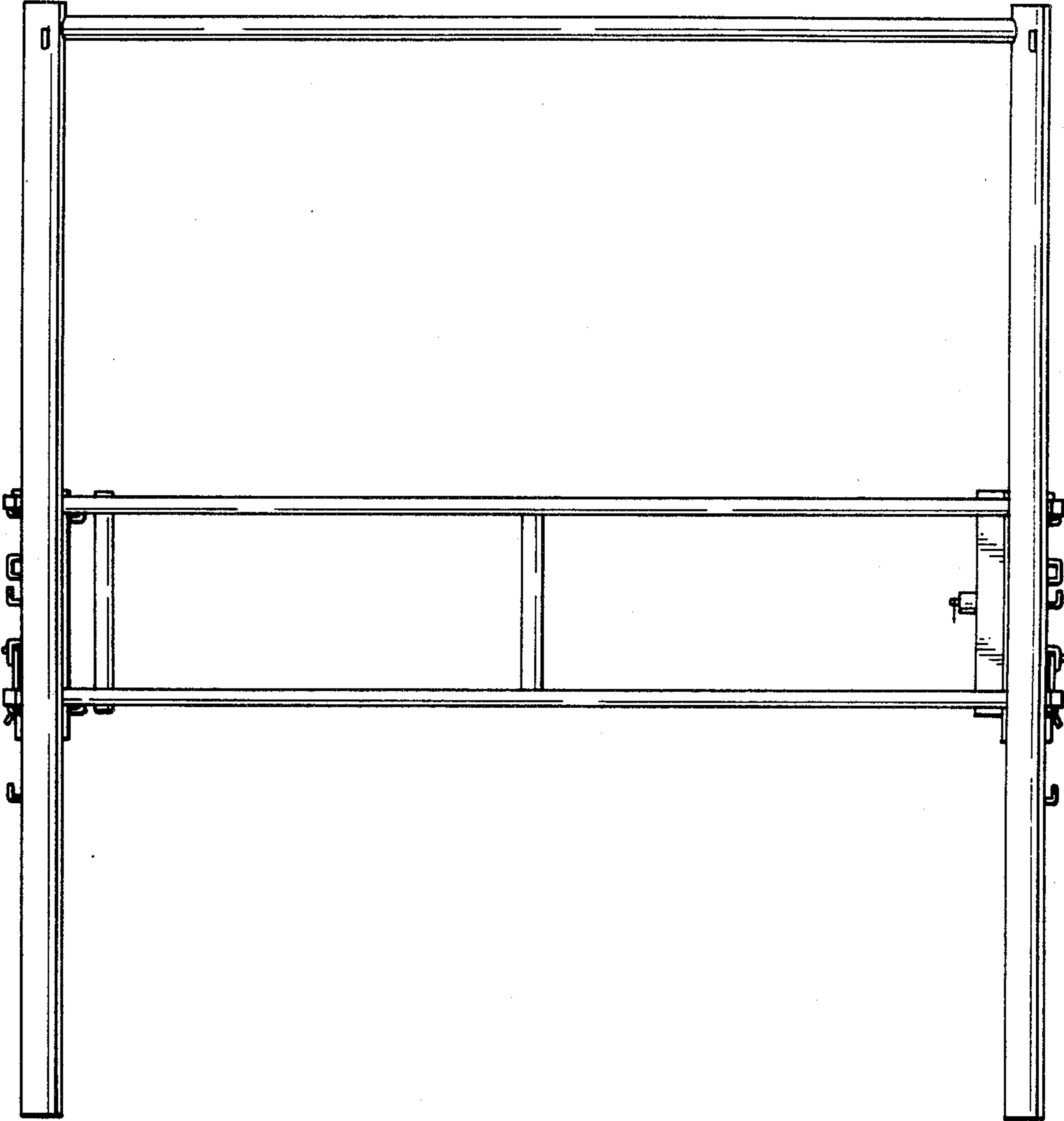


FIG. 4

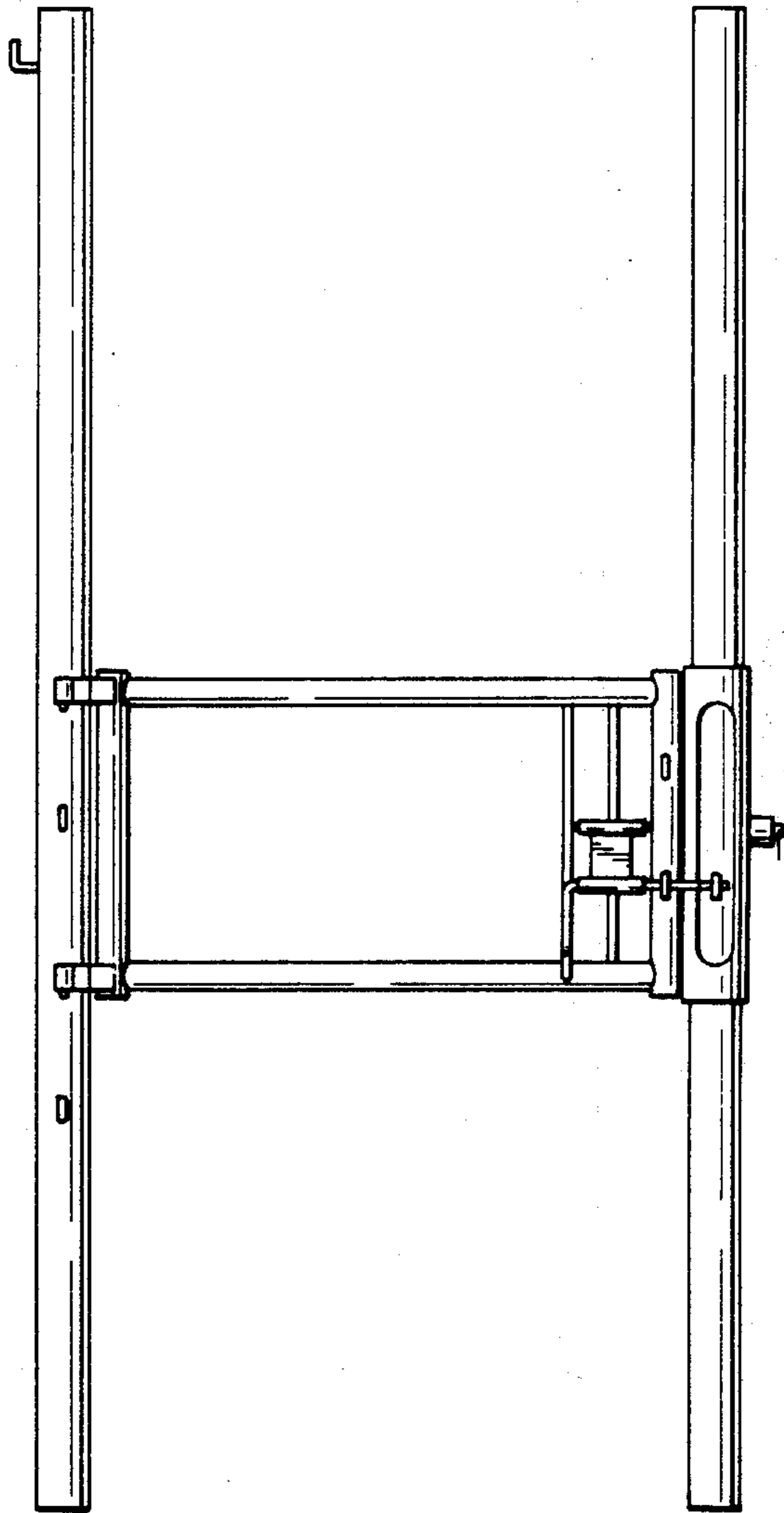


FIG. 5

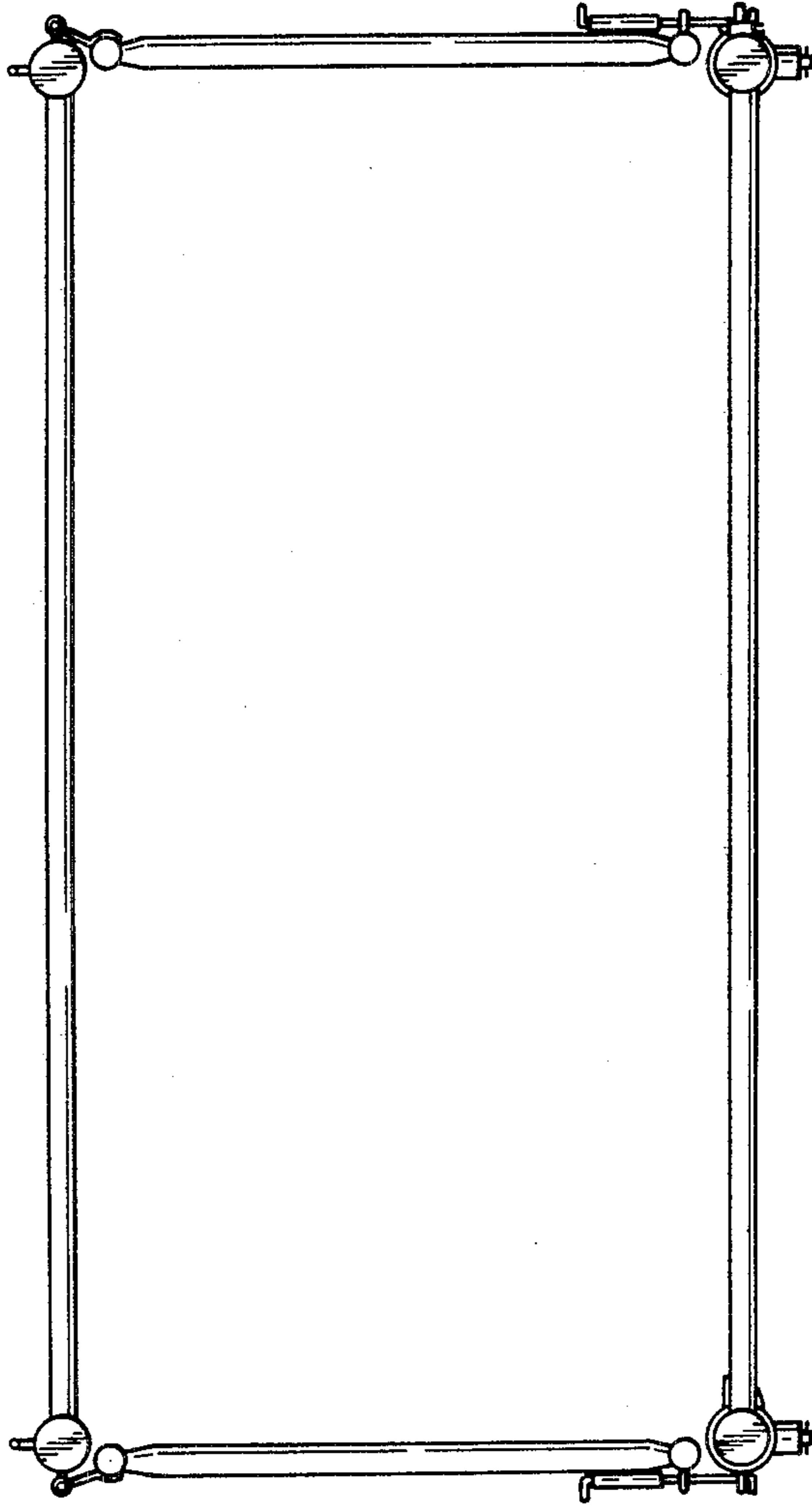


FIG. 6

