

[54] **LANTERN**

[75] **Inventor: Bernard A. Grae, Fort Worth, Tex.**

[73] **Assignee: Tandy Corp., Fort Worth, Tex.**

[**] **Term: 14 Years**

[21] **Appl. No.: 637,715**

[22] **Filed: Aug. 6, 1984**

[52] **U.S. Cl. D26/50**

[58] **Field of Search D26/37-49;
362/157, 183-208**

[56] **References Cited**

U.S. PATENT DOCUMENTS

- | | | | | |
|------------|---------|----------|-------|--------|
| D. 52,237 | 7/1918 | Grether | | D26/50 |
| D. 91,507 | 2/1934 | Barber | | D26/50 |
| D. 215,614 | 10/1969 | Zapolski | | D26/50 |

FOREIGN PATENT DOCUMENTS

- | | | | | |
|--------|--------|----------------|-------|---------|
| 788853 | 7/1968 | Canada | | 362/200 |
| 433709 | 8/1935 | United Kingdom | | 362/200 |

Primary Examiner—Susan J. Lucas
Attorney, Agent, or Firm—W. L. Martin

[57] **CLAIM**

The ornamental design for a lantern, as shown and described.

DESCRIPTION

FIG. 1 is a top, front and right side perspective view of a lantern employing my new design;
FIG. 2 is a front elevational view thereof on an enlarged scale;
FIG. 3 is a rear elevational view thereof on an enlarged scale;
FIG. 4 is a left side elevational view thereof on an enlarged scale;
FIG. 5 is a top plan view thereof on an enlarged scale;
FIG. 6 is a bottom plan view thereof on an enlarged scale.

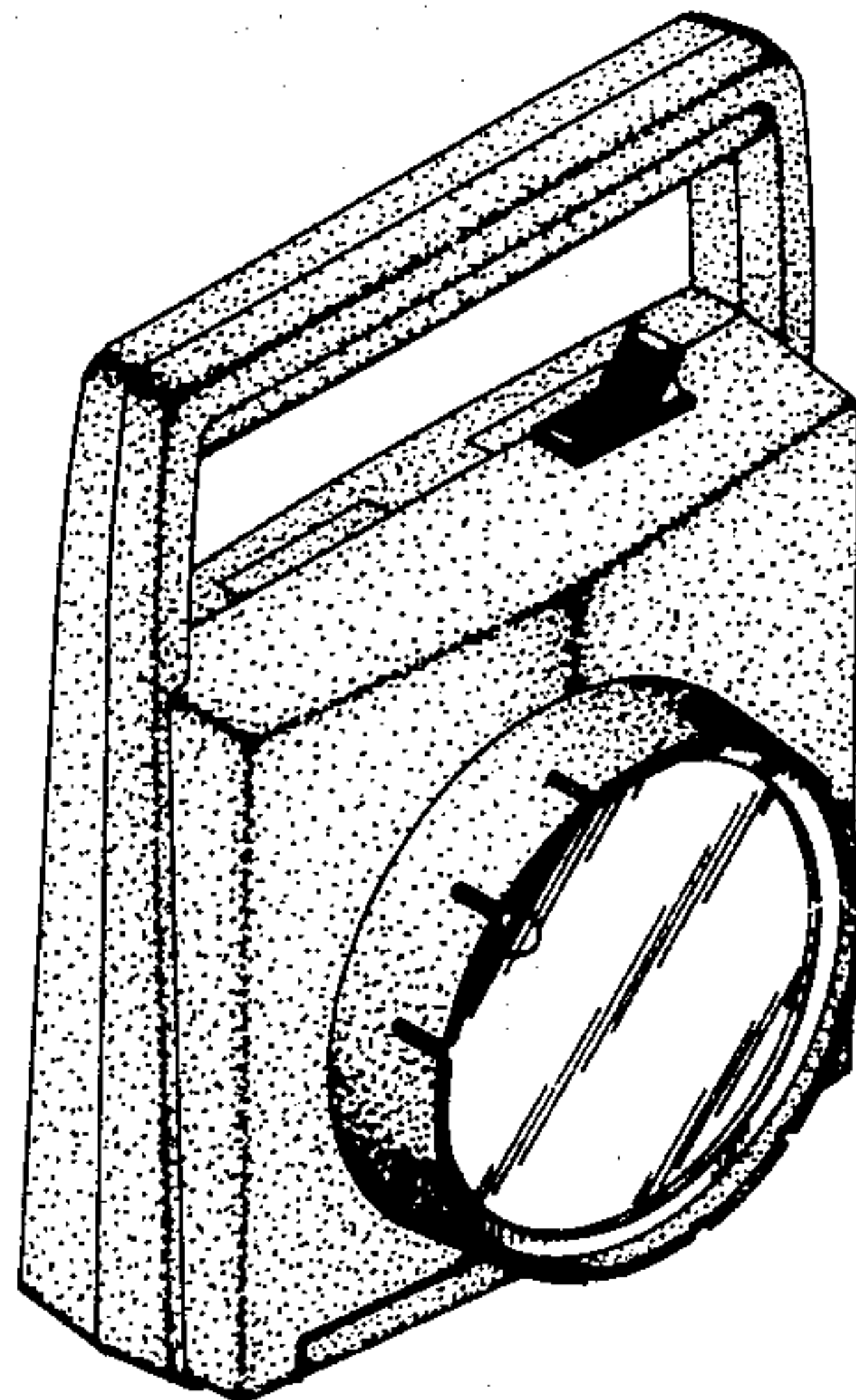


FIG. 1.

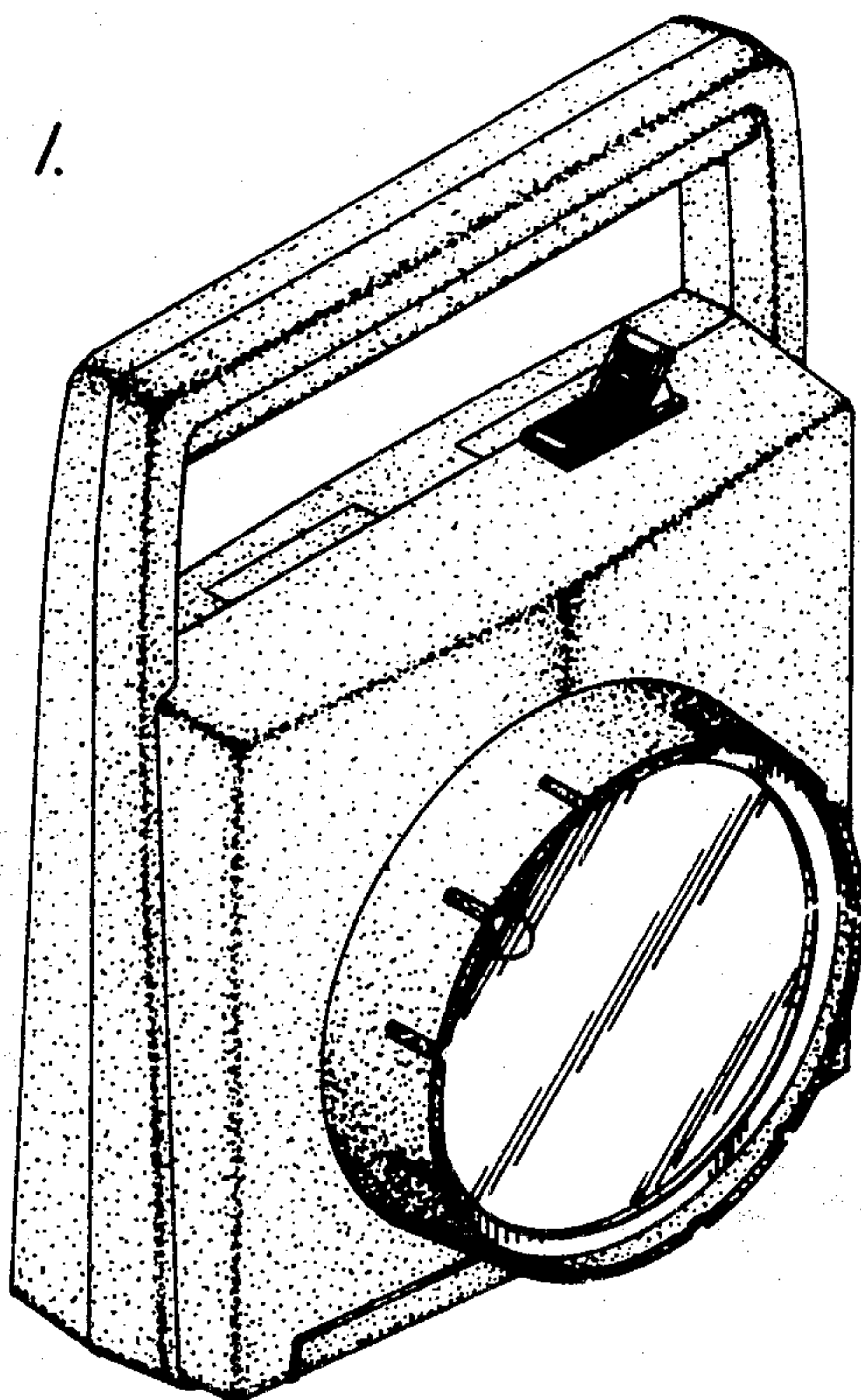


FIG. 2.

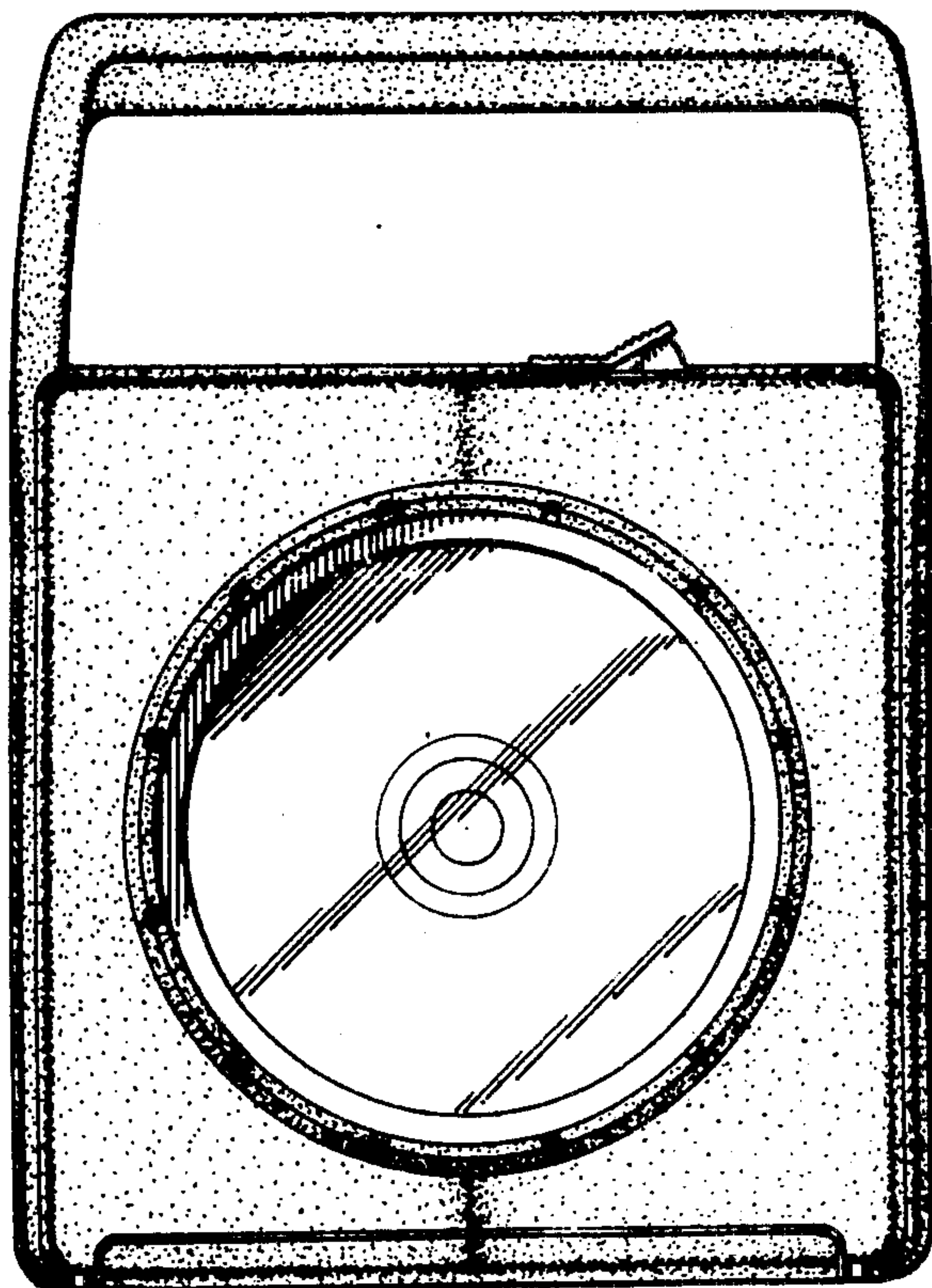


FIG. 3.

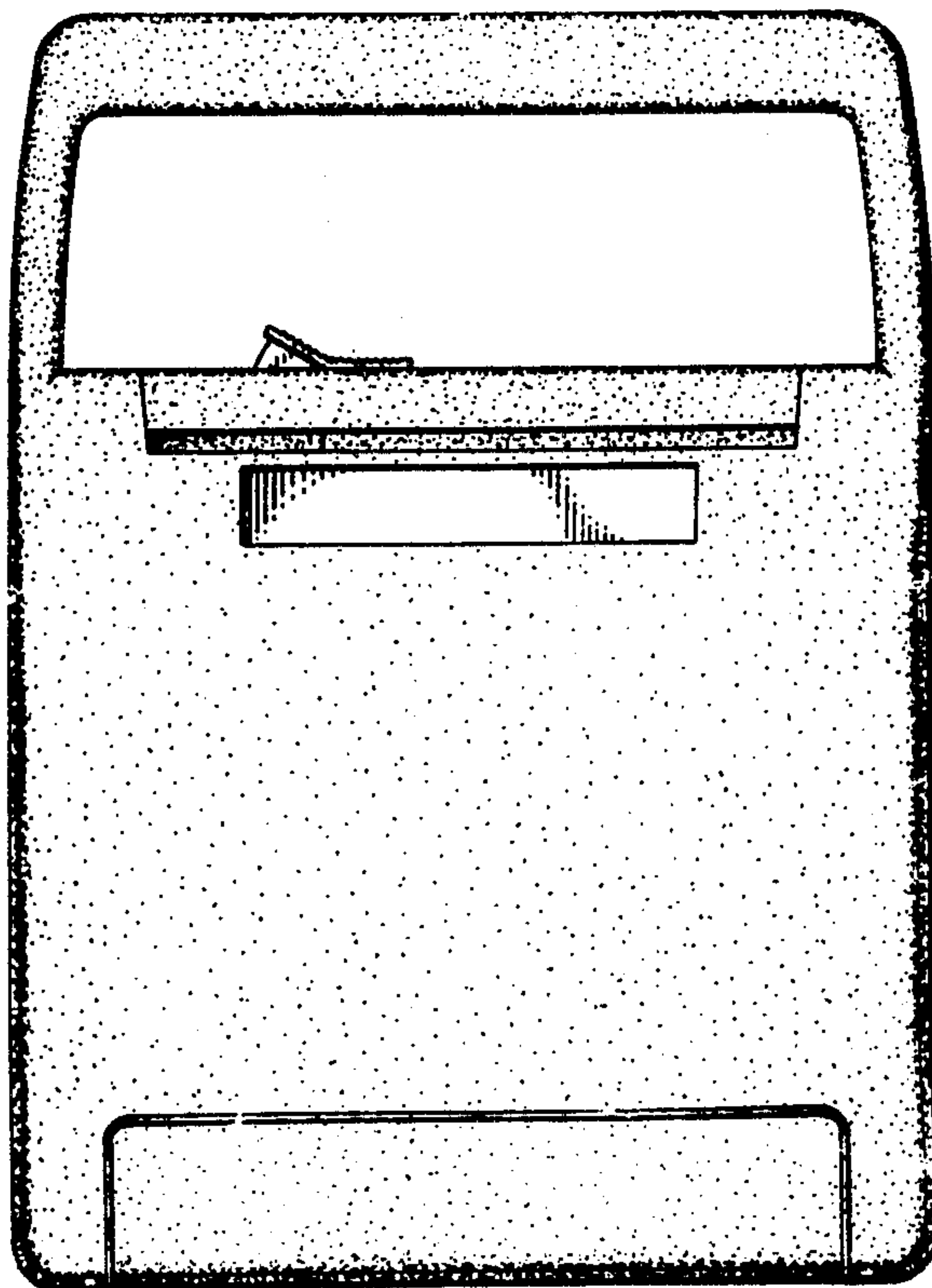


FIG. 4.

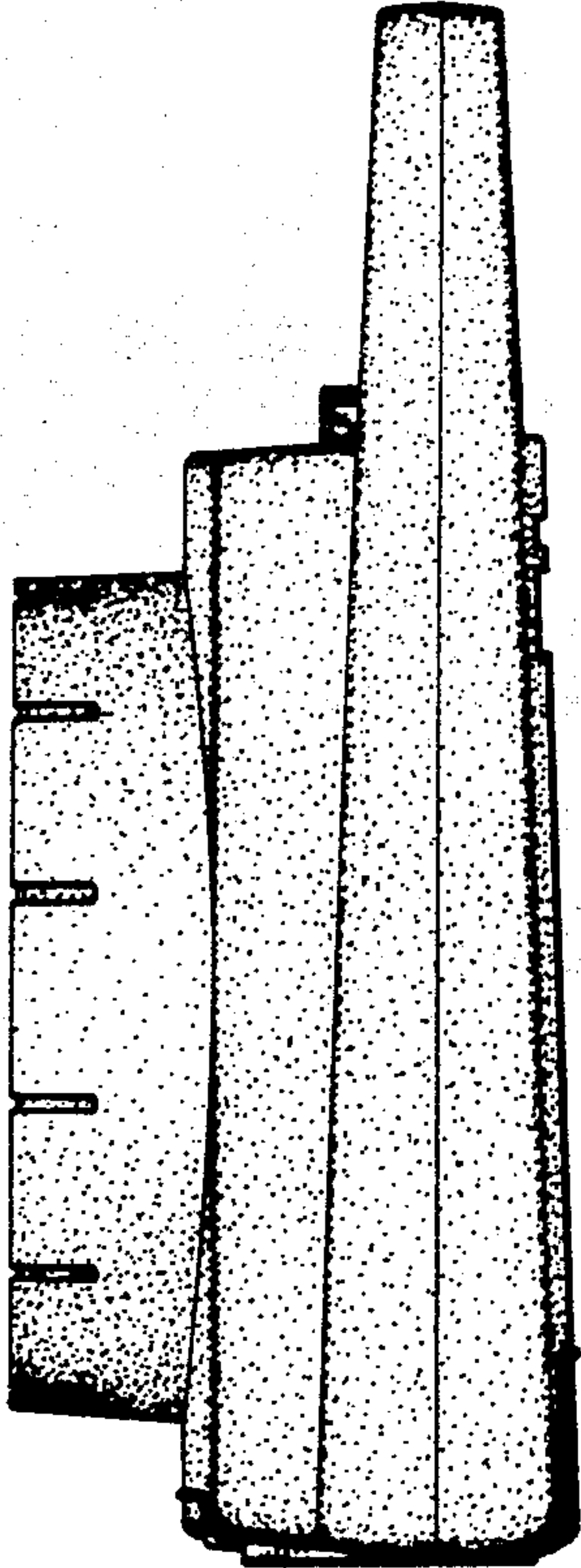


FIG. 5.

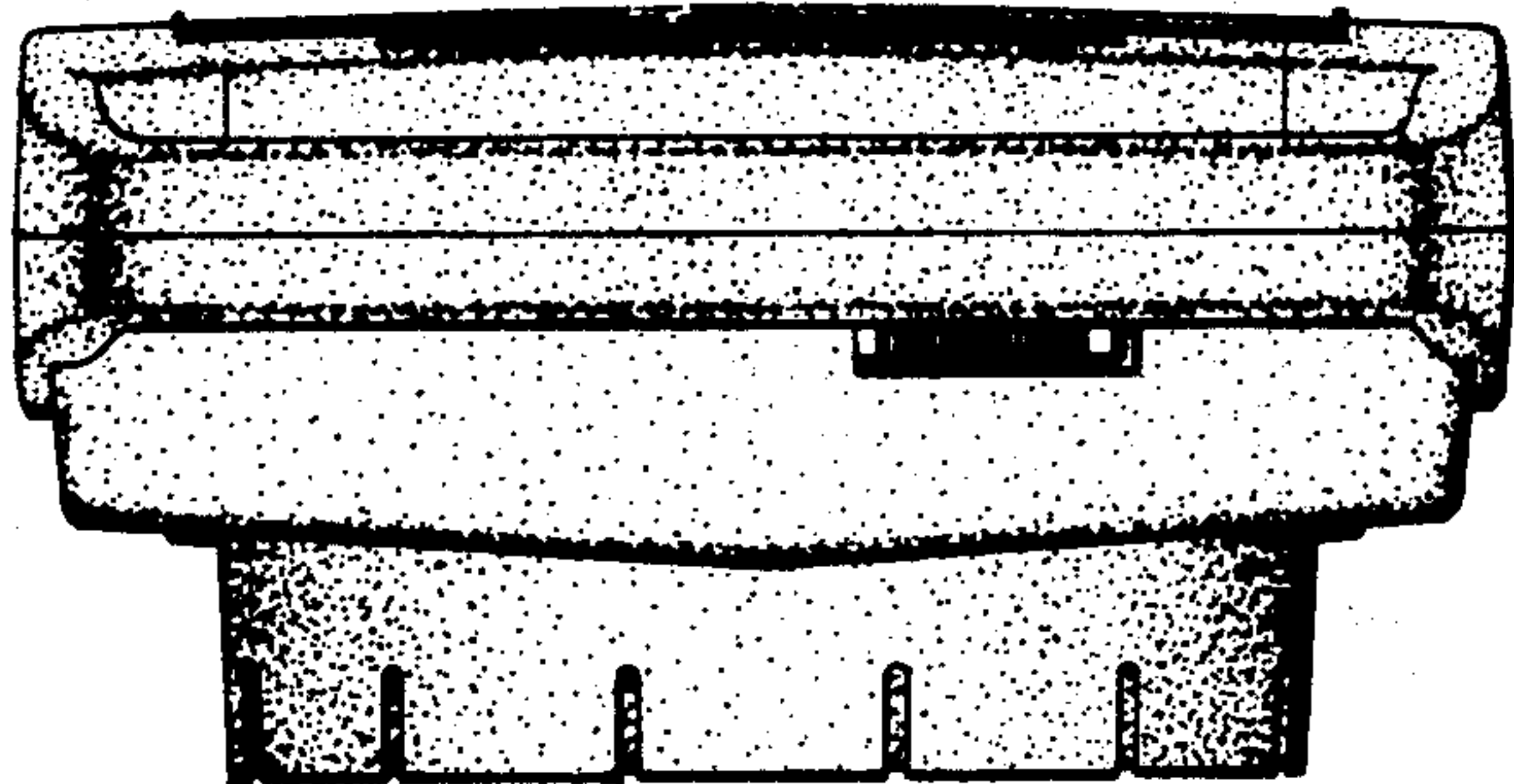


FIG. 6.

