

[54] COMBINED DISINFECTOR AND CARRYING CASE FOR CONTACT LENS

[75] Inventor: Paul A. Hoogesteger, Penfield, N.Y.

[73] Assignee: Bausch & Lomb Incorporated, Rochester, N.Y.

[**] Term: 14 Years

[21] Appl. No.: 674,637

[22] Filed: Nov. 26, 1984

[52] U.S. Cl. D24/9; D3/34; D9/341

[58] Field of Search D24/9, 8; 219/521; 206/5, 5.1, 6; D3/34; D16/124, 129

[56] References Cited

U.S. PATENT DOCUMENTS

- D. 282,576 2/1986 Hoogesteger D24/9
- D. 285,744 9/1986 Vinot D3/34

- 2,948,387 9/1960 Fishman 206/5
- 3,977,517 8/1976 Kadlecik et al. 206/5.1
- 4,307,289 12/1981 Thomas et al. 219/521

Primary Examiner—A. Hugo Word
Assistant Examiner—Stella M. Reid
Attorney, Agent, or Firm—John S. Norton

[57] CLAIM

The ornamental design for a combined disinfector and carrying case for contact lens, substantially as shown and described.

DESCRIPTION

FIG. 1 is a top plan view of a combined disinfector and carrying case for contact lens showing my new design; FIG. 2 is a right end elevational view thereof; FIG. 3 is a front elevational view thereof; FIG. 4 is a rear elevational view thereof; FIG. 5 is a bottom plan view thereof; and FIG. 6 is a perspective view thereof.

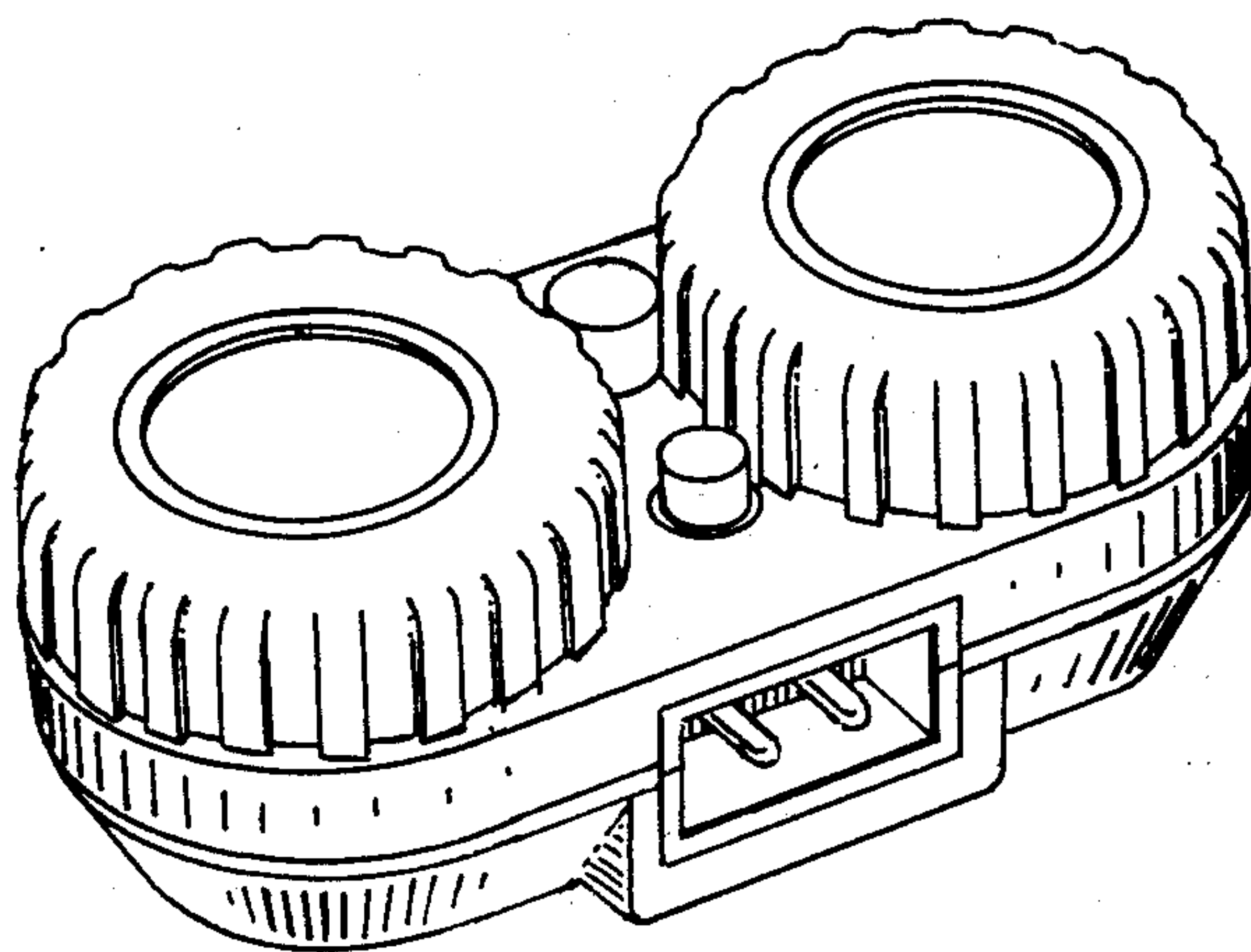


FIG. 1

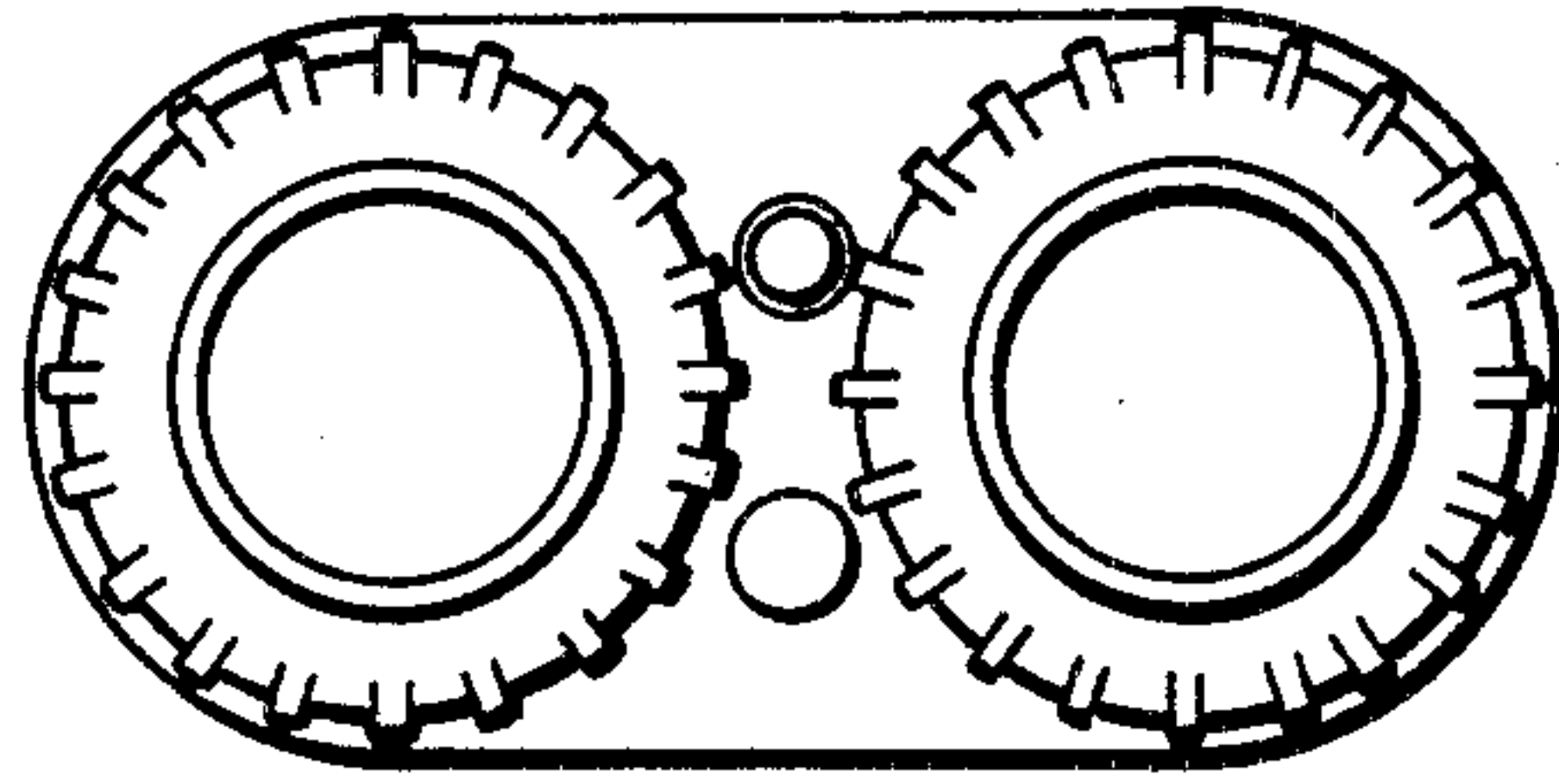


FIG. 2

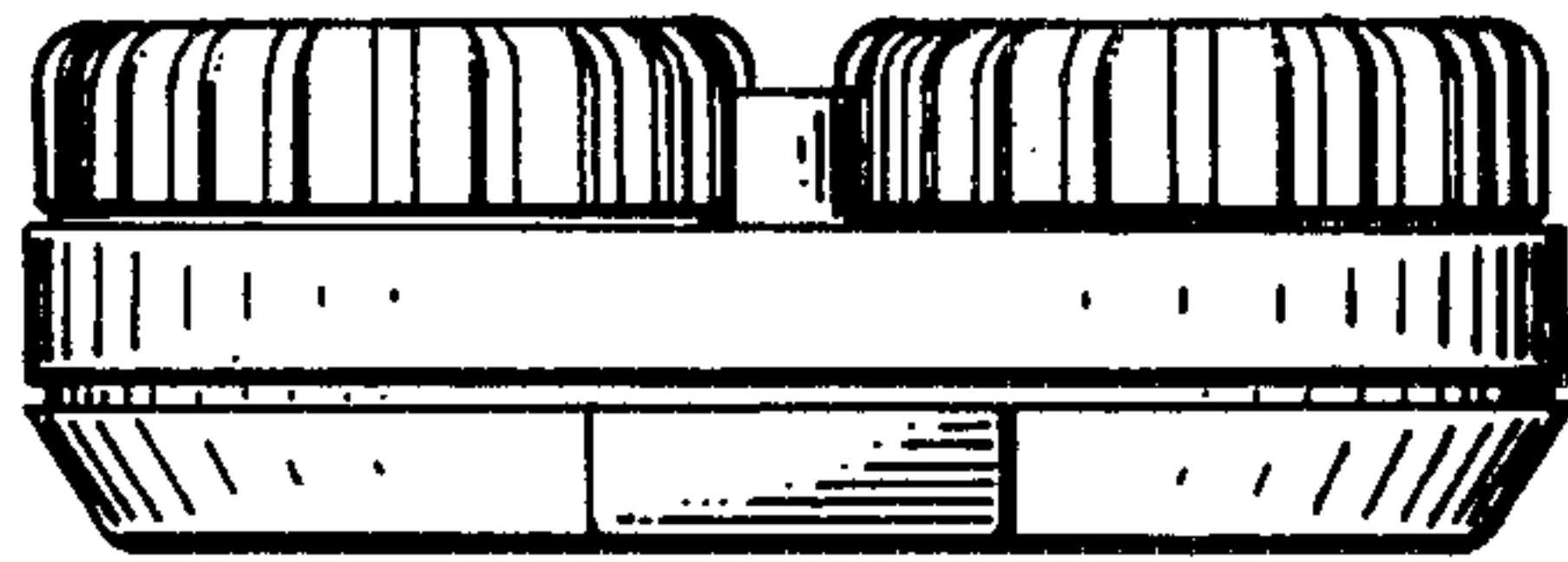
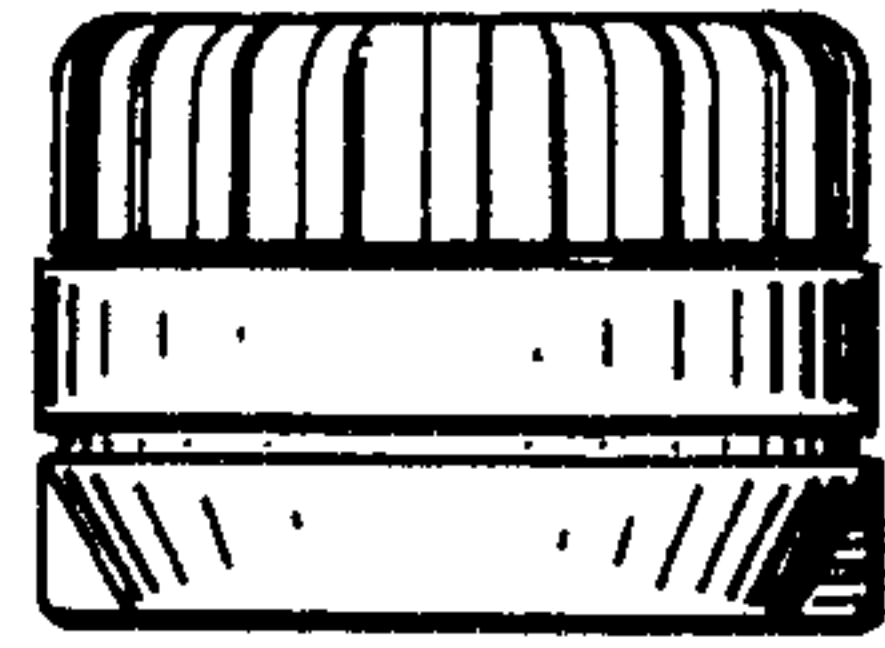


FIG. 3

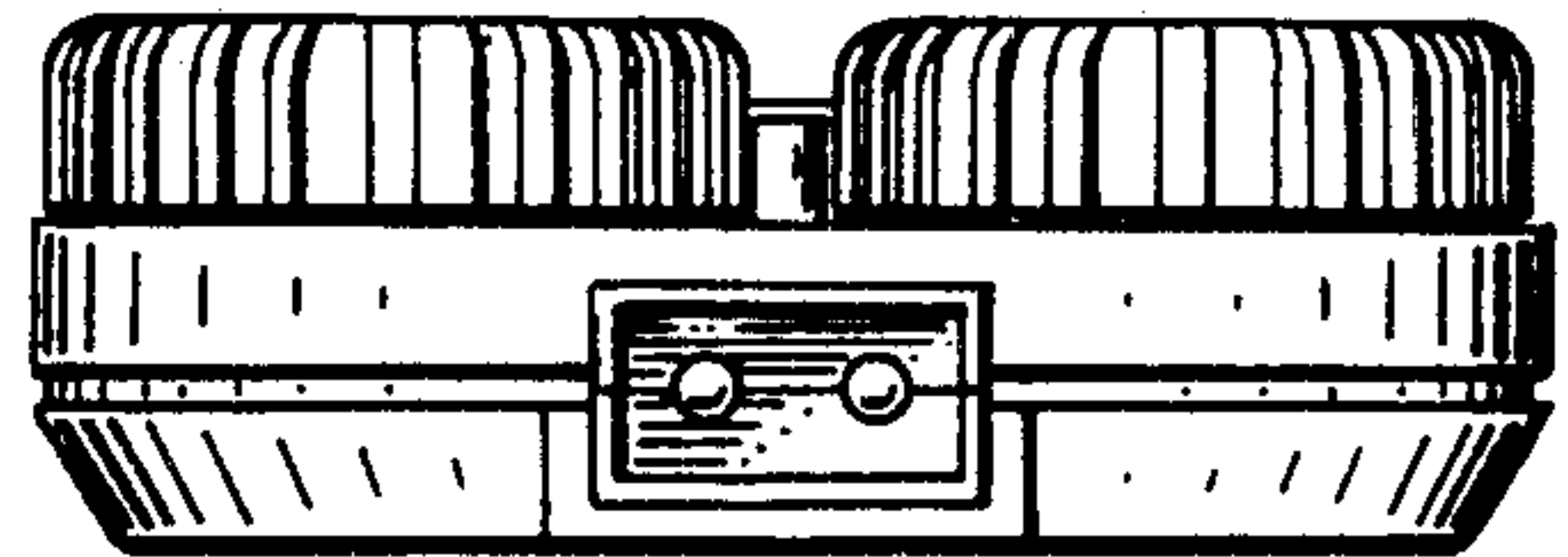


FIG. 4

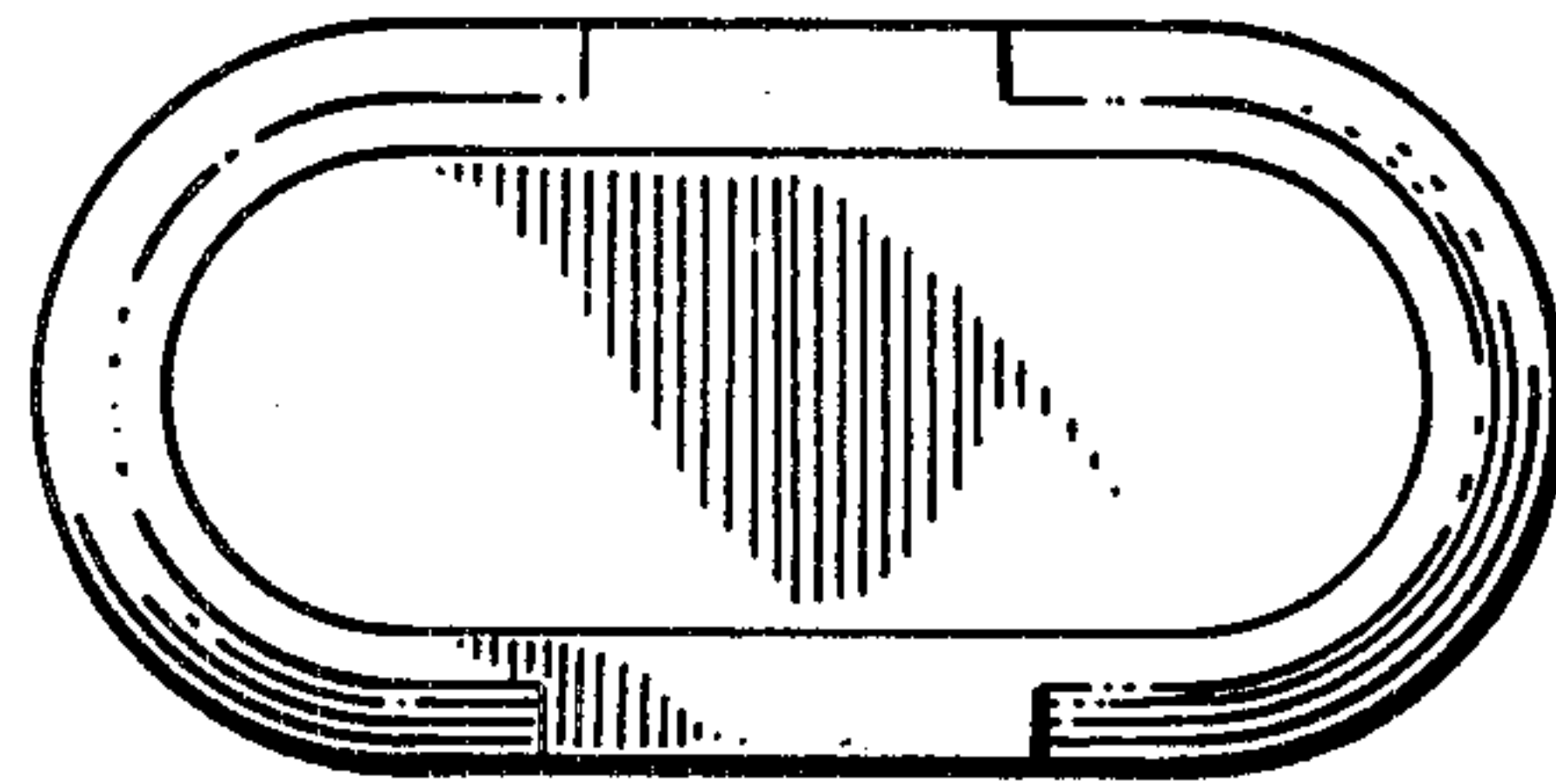


FIG. 5

FIG. 6

