

[54] BIDET

[75] Inventor: Jacques P. Hardion, Selles-sur-Cher, France

[73] Assignee: Produits Ceramiques de Touraine, Selles-sur-Cher, France

[**] Term: 14 Years

[21] Appl. No.: 571,527

[22] Filed: Jan. 17, 1984

[30] Foreign Application Priority Data

Sep. 30, 1983 [FR] France 833 556

[52] U.S. Cl. D23/51

[58] Field of Search D23/51, 65, 67, 48, D23/56; 4/443, 445, 446, 420, 420.3, 574

[56] References Cited

U.S. PATENT DOCUMENTS

D. 261,797 11/1981 Kaiser D23/51

D. 272,382 1/1984 Benetson D23/51

OTHER PUBLICATIONS

Damus, 1/83, p. 21, Bidet, bottom right center of page. Design, 6/63, p. 26, Bidet.

Primary Examiner—James M. Gandy
Attorney, Agent, or Firm—Wenderoth, Lind & Ponack

[57] CLAIM

The ornamental design for a bidet, as shown and described.

DESCRIPTION

FIG. 1 is a perspective view from the front and above of a bidet according to my new design;
FIG. 2 is a perspective view thereof from the left, front and above;
FIG. 3 is a perspective view similar to FIG. 2 but viewed from a greater height;
FIG. 4 is a top plan view thereof; and
FIG. 5 is a perspective view from the left side thereof, the right side thereof being substantially a mirror image.

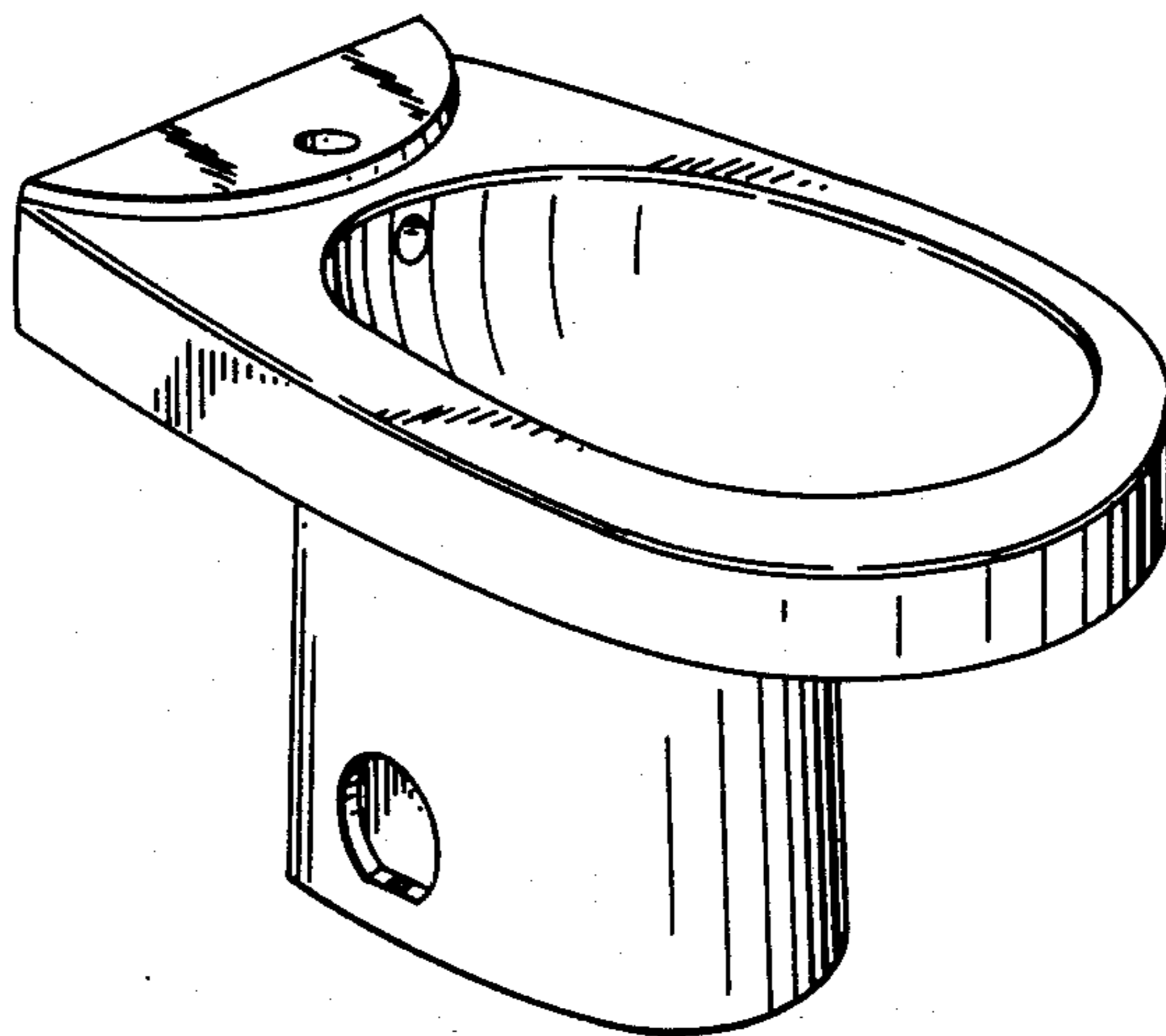


FIG. 1

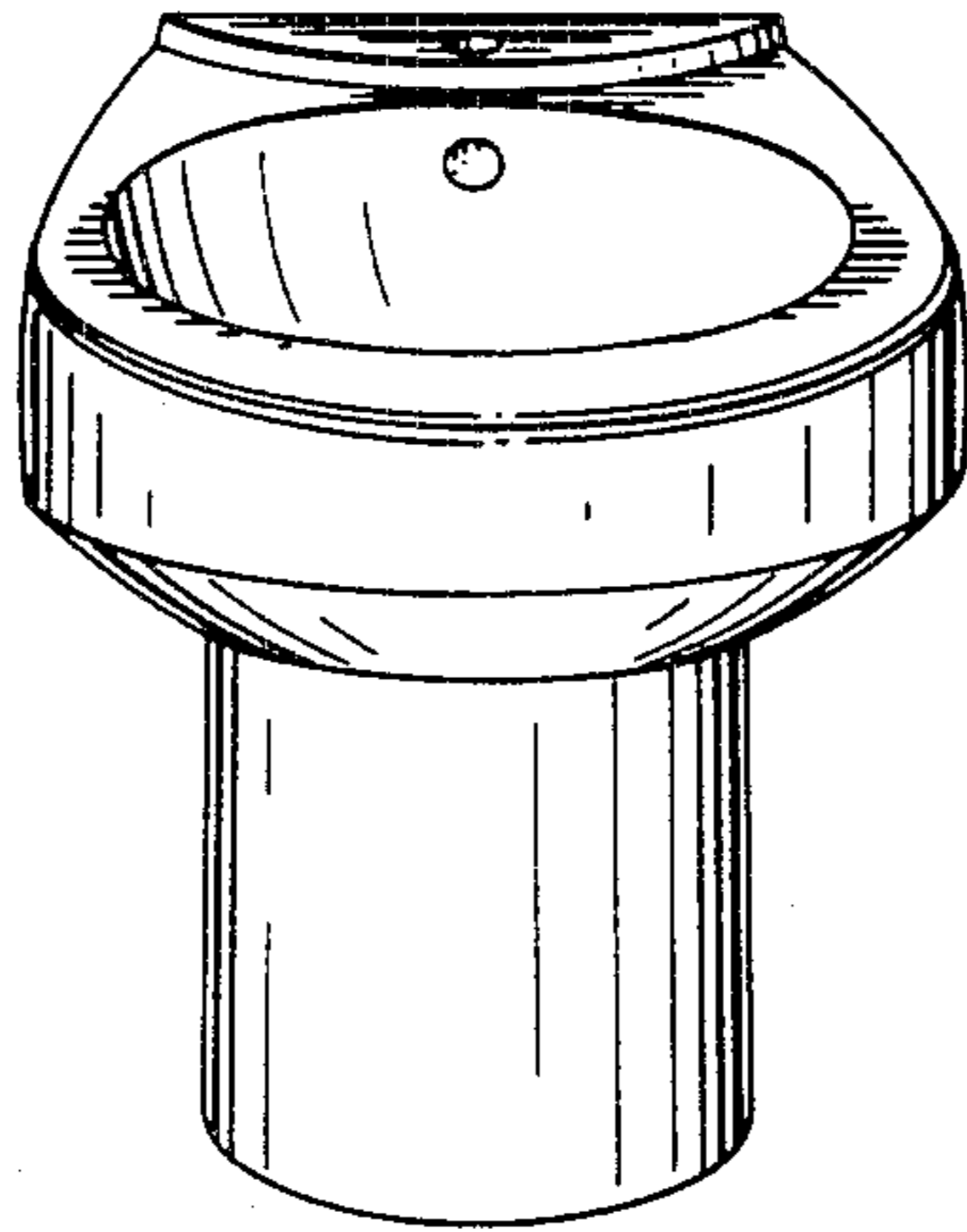


FIG. 2

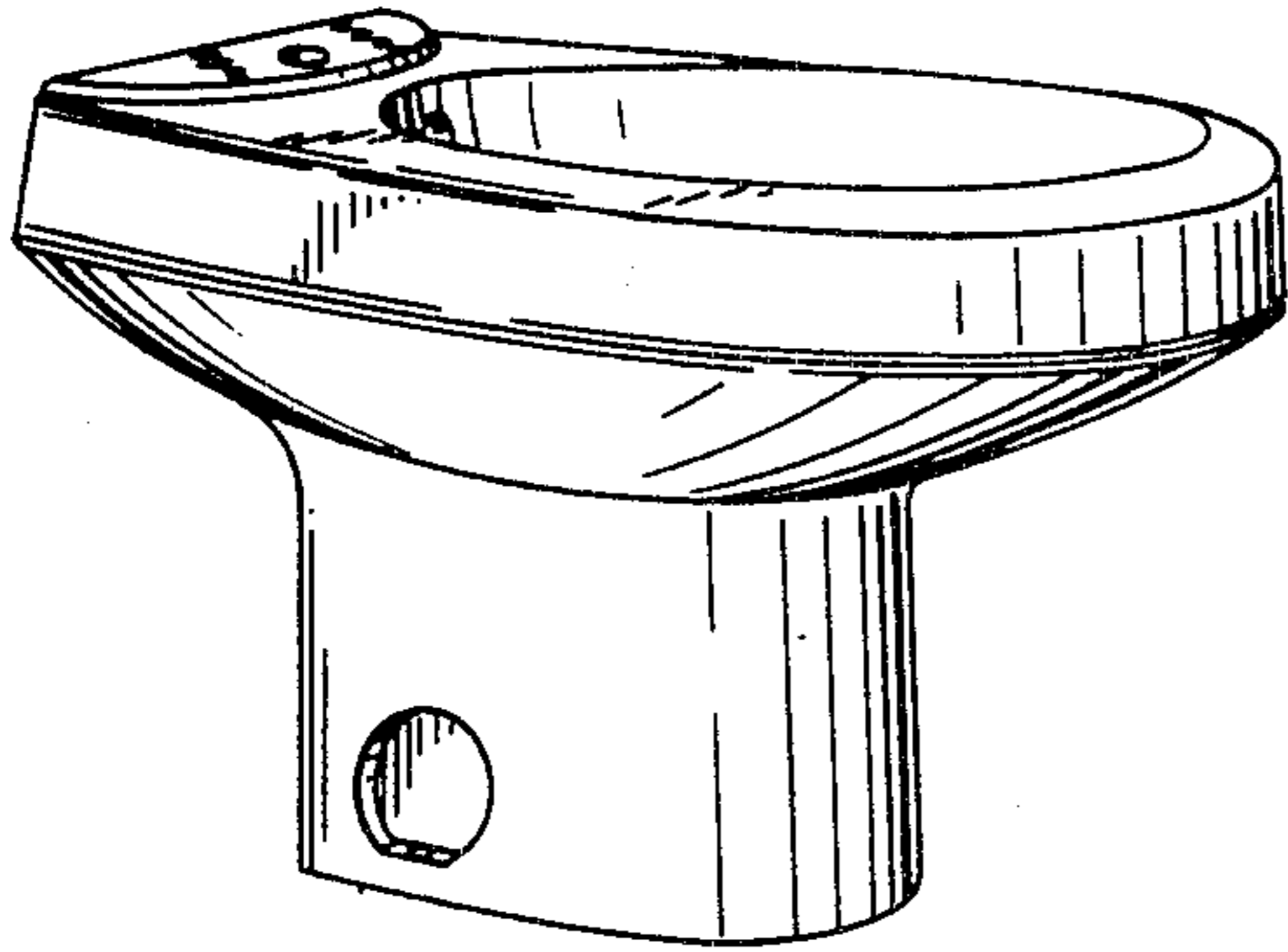


FIG. 3

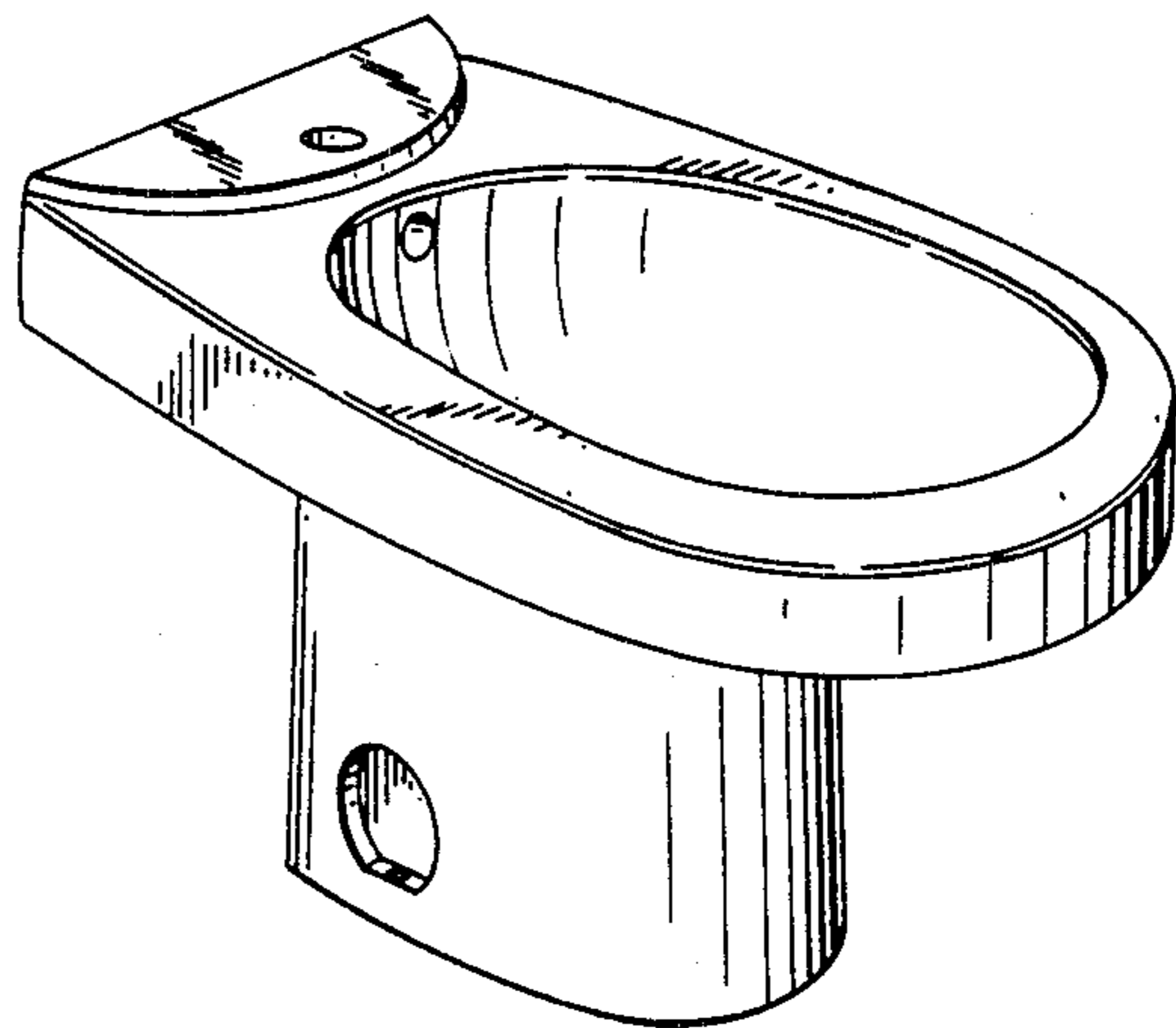


FIG. 4

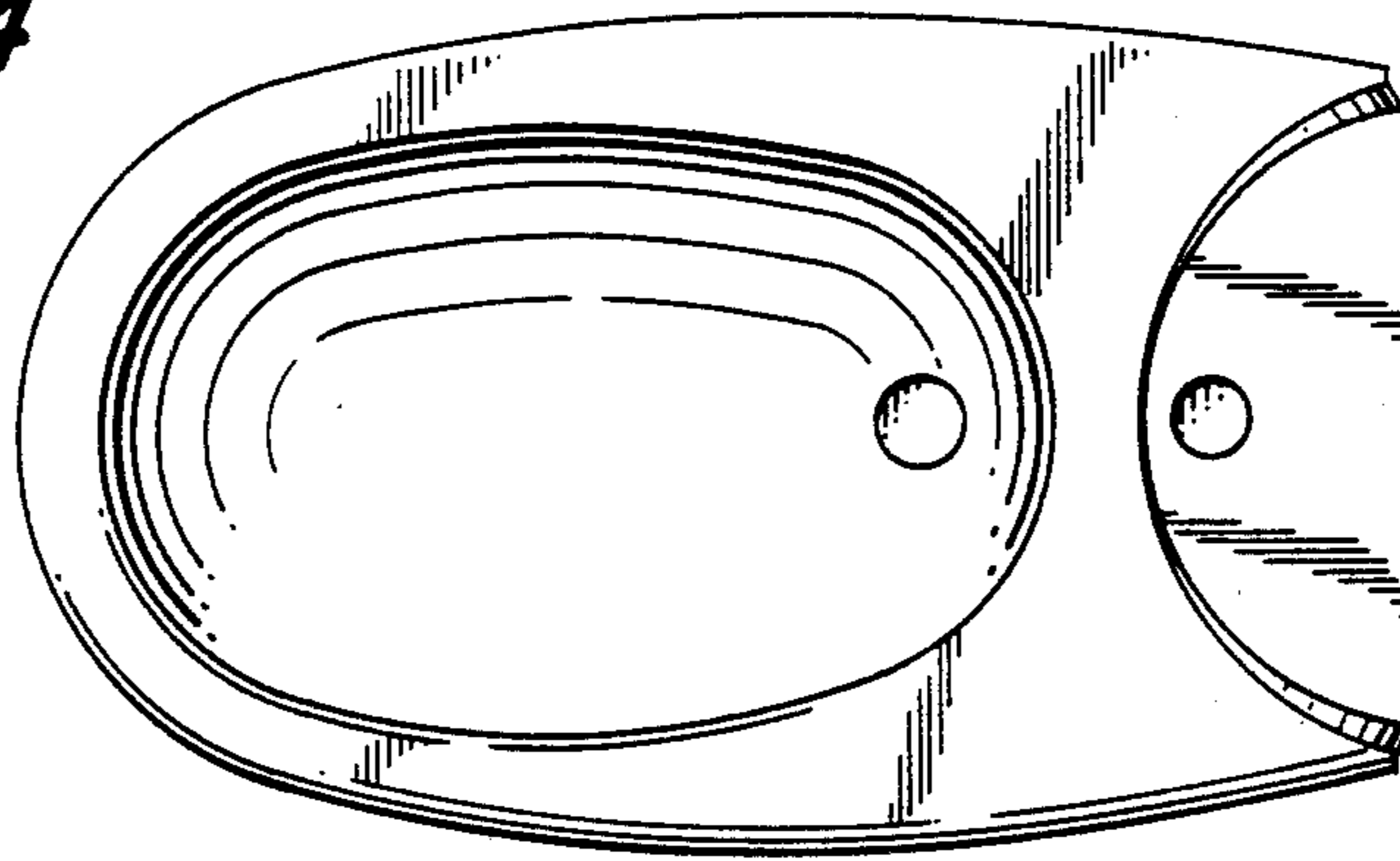


FIG. 5

