

[54] **GOLF PUTTER HEAD**

[76] **Inventor:** N. Eugene Cotchonis, 14750 Round Valley Dr., Sherman Oaks, Calif. 91403

[**] **Term:** 14 Years

[21] **Appl. No.:** 687,984

[22] **Filed:** Dec. 31, 1984

[52] **U.S. Cl.** D21/219

[58] **Field of Search** D21/217-219;
273/163 R, 164, 167-175

[56] **References Cited**

U.S. PATENT DOCUMENTS

D. 216,031	11/1969	Blake	D21/217
3,143,349	8/1964	MacIntyre	273/164
3,387,844	6/1968	Shippee	273/167 H

OTHER PUBLICATIONS

Golf World, Jan. 18, 1972, p. 52, lower right, top Putter.

Primary Examiner—Melvin B. Feifer
Attorney, Agent, or Firm—Herbert E. Haynes, Jr.

[57] **CLAIM**

The ornamental design for a golf putter head, as shown.

DESCRIPTION

FIG. 1 is a perspective view showing the top, toe and face of a golf putter head showing my new design.

FIG. 2 is an elevational view looking at the toe thereof.

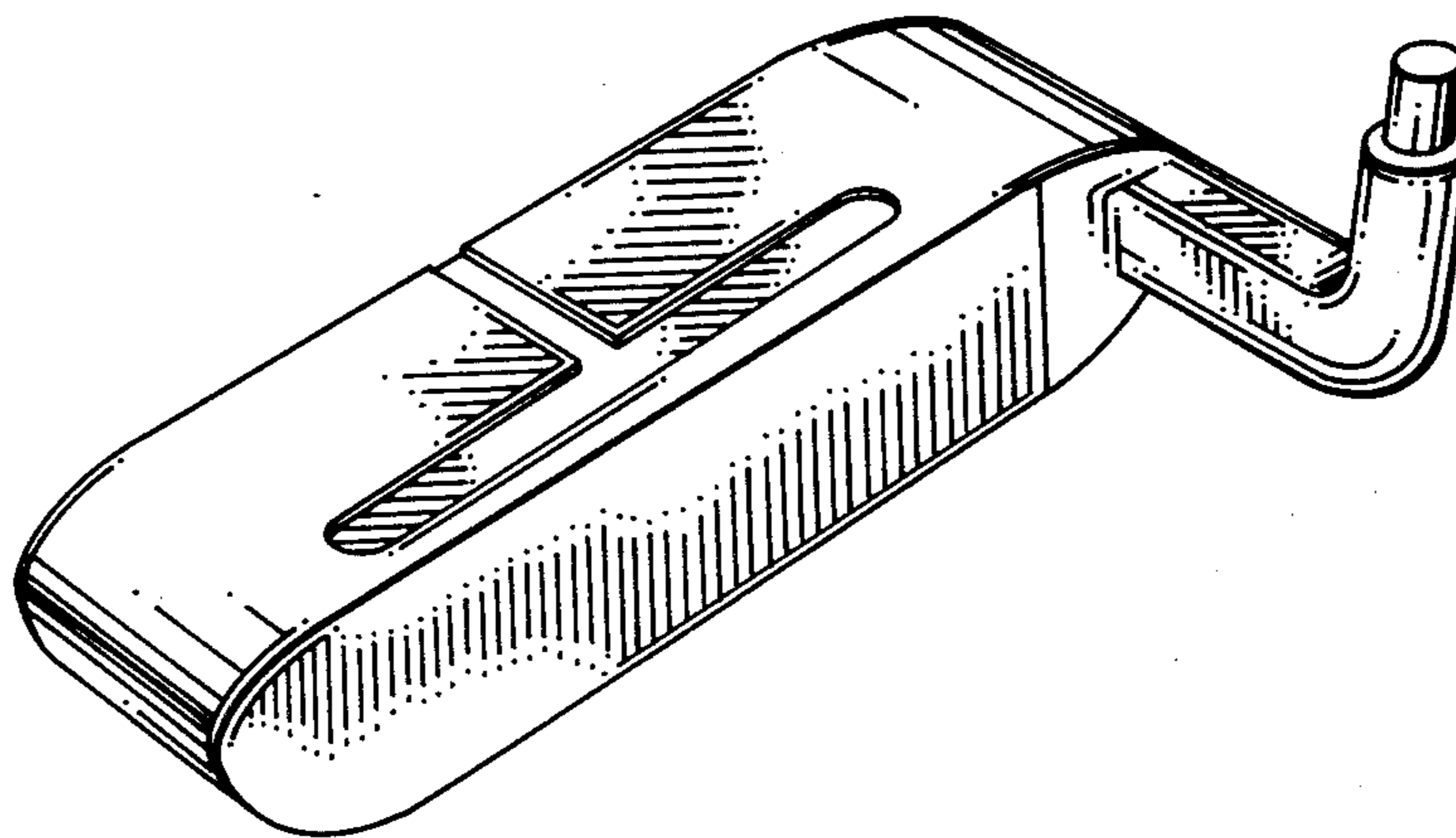
FIG. 3 is an elevational view looking at the face thereof.

FIG. 4 is an elevational view looking at the heel thereof.

FIG. 5 is a bottom view thereof.

FIG. 6 is a top view thereof.

FIG. 7 is an elevational view looking at the back surface thereof.



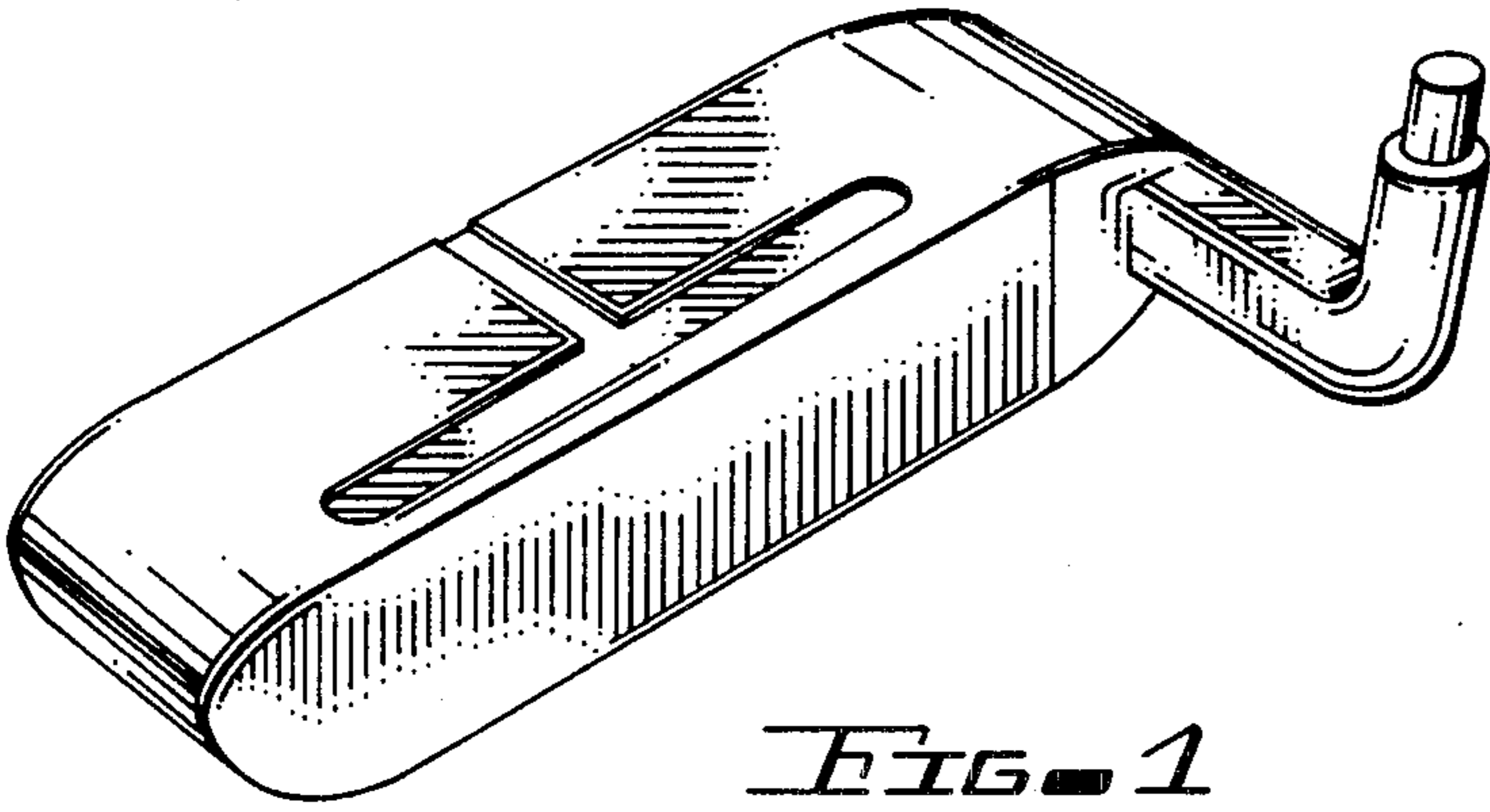


FIG. 1

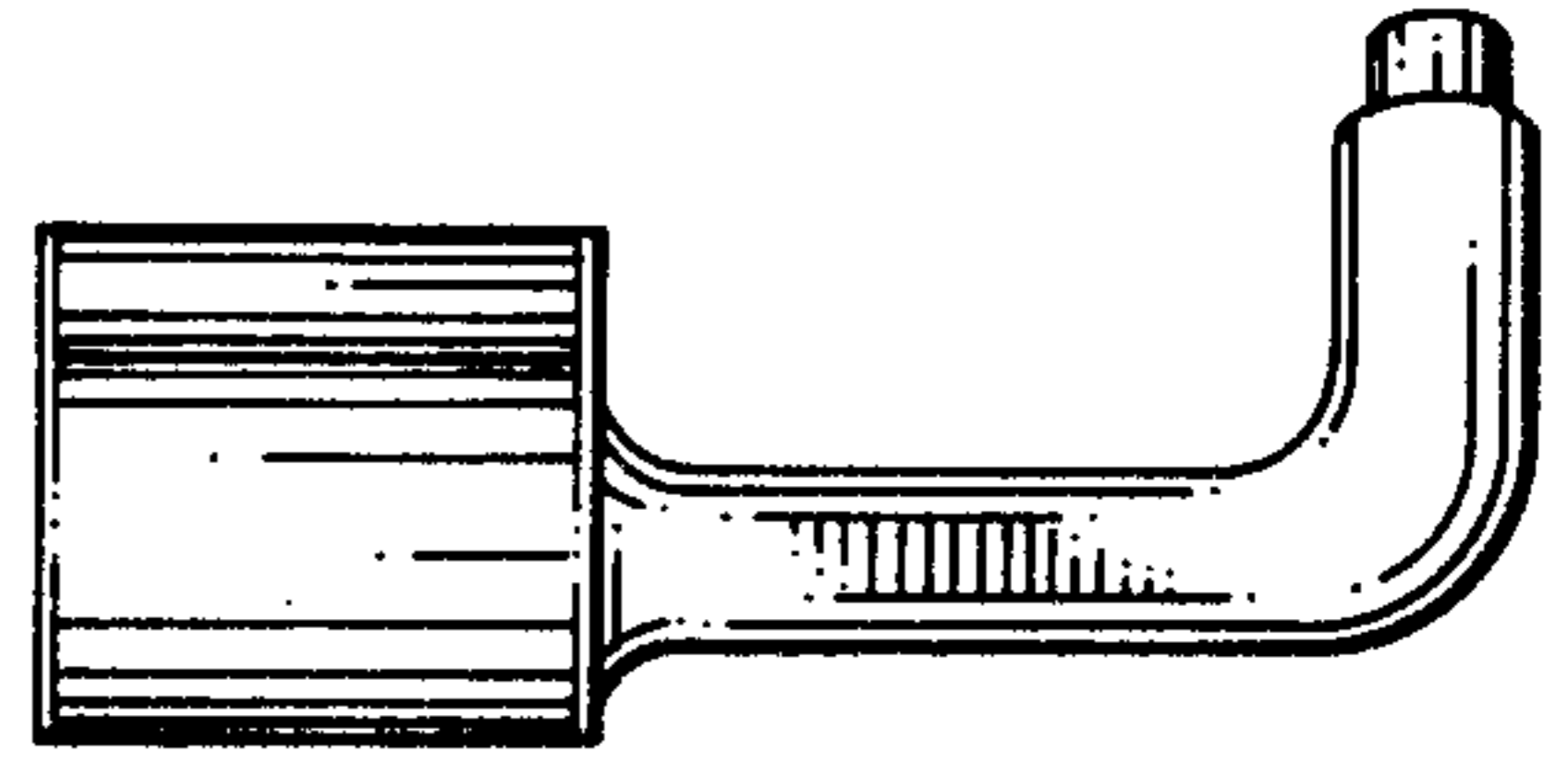


FIG. 2

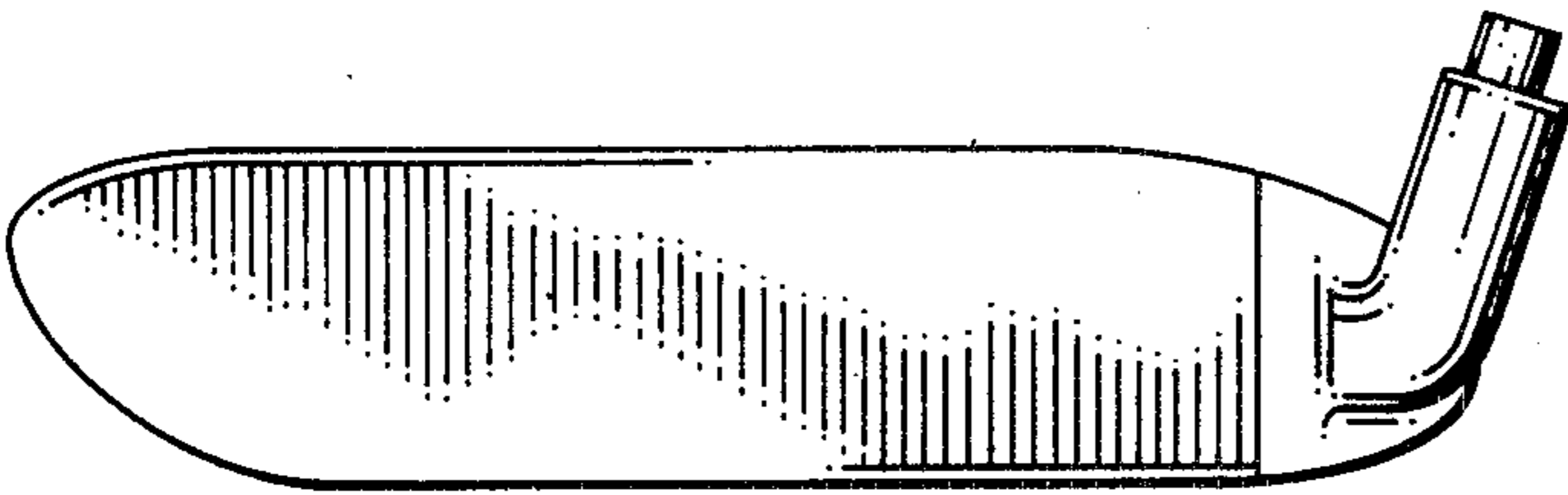


FIG. 3

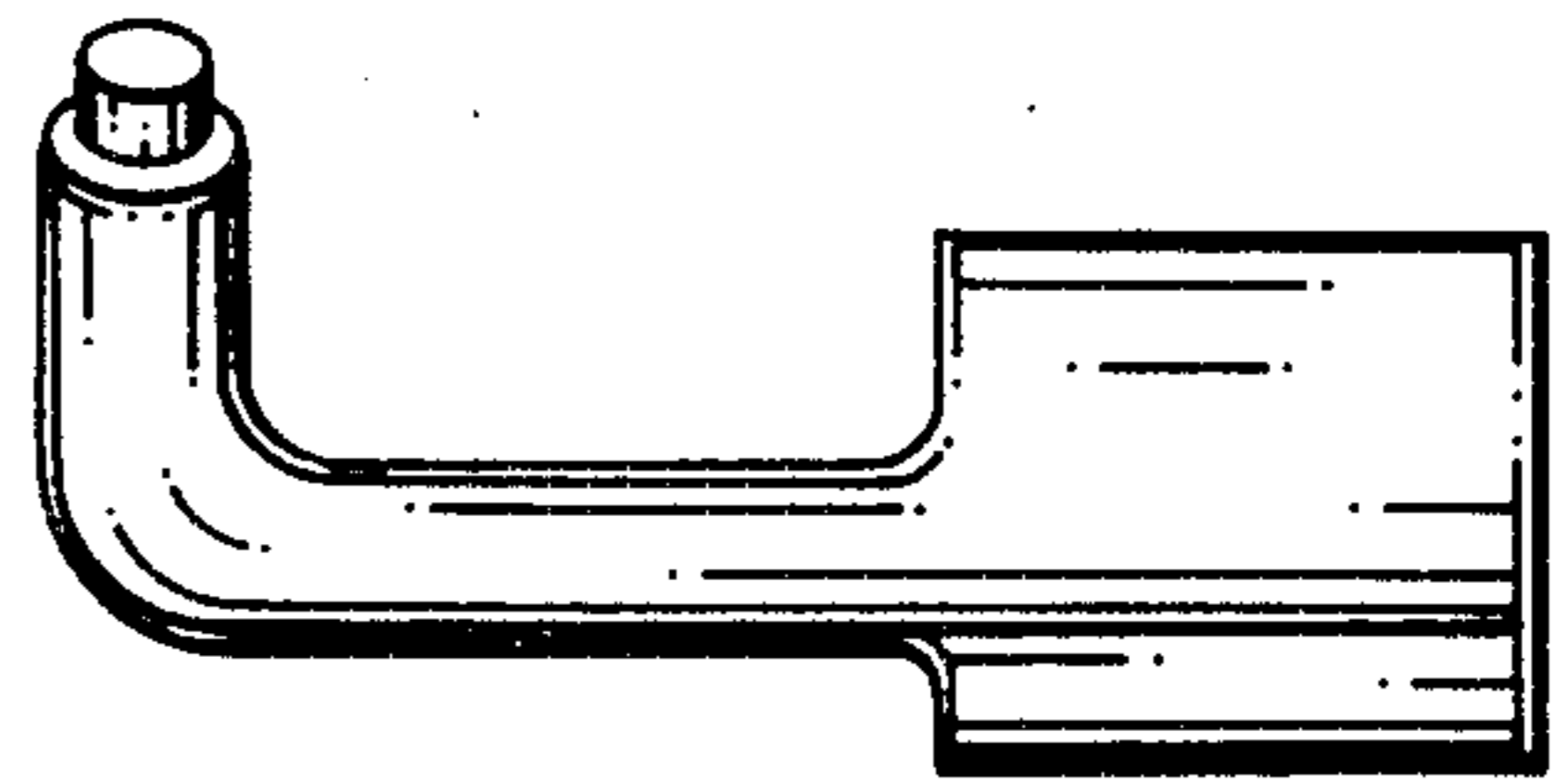


FIG. 4

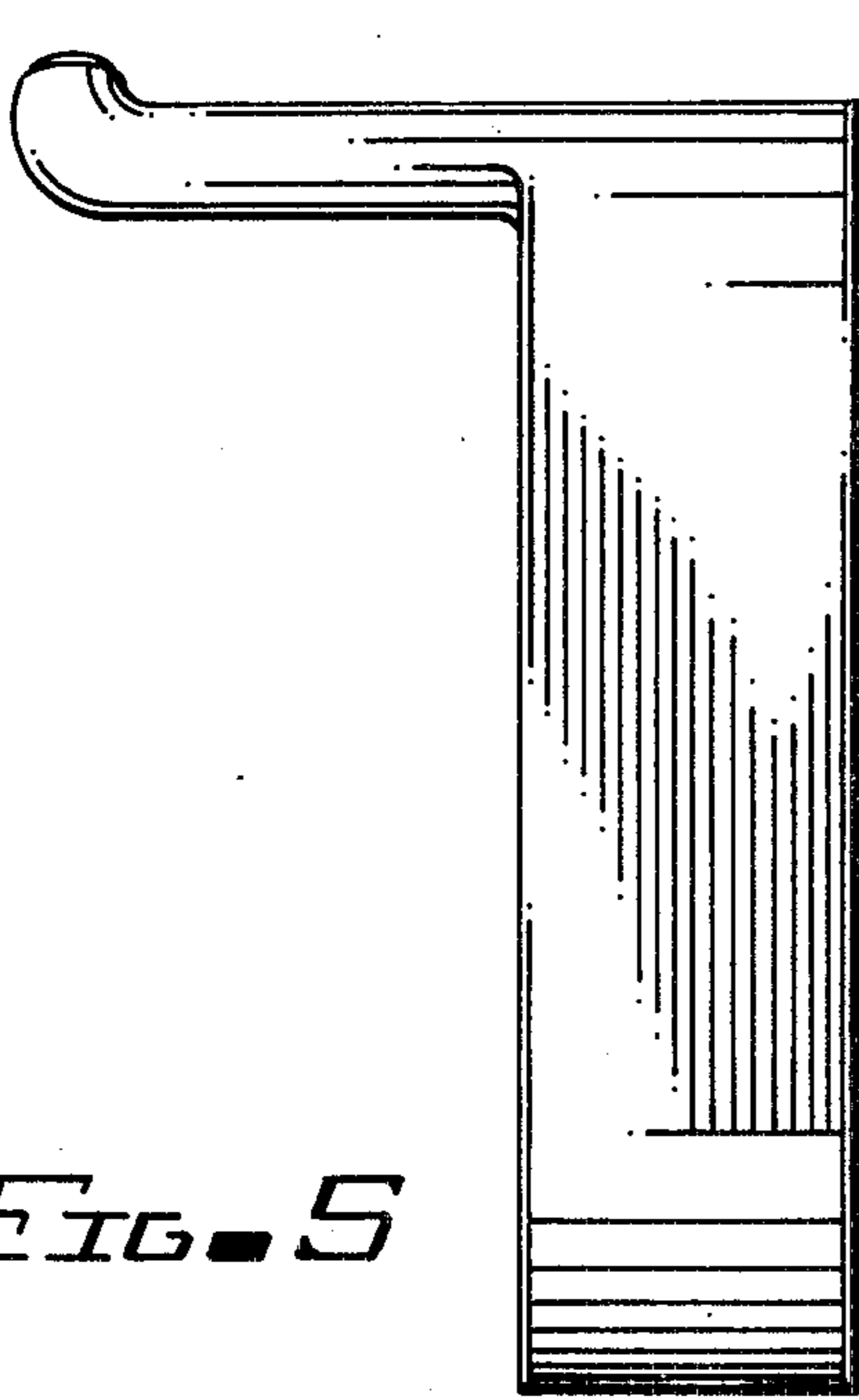


FIG. 5

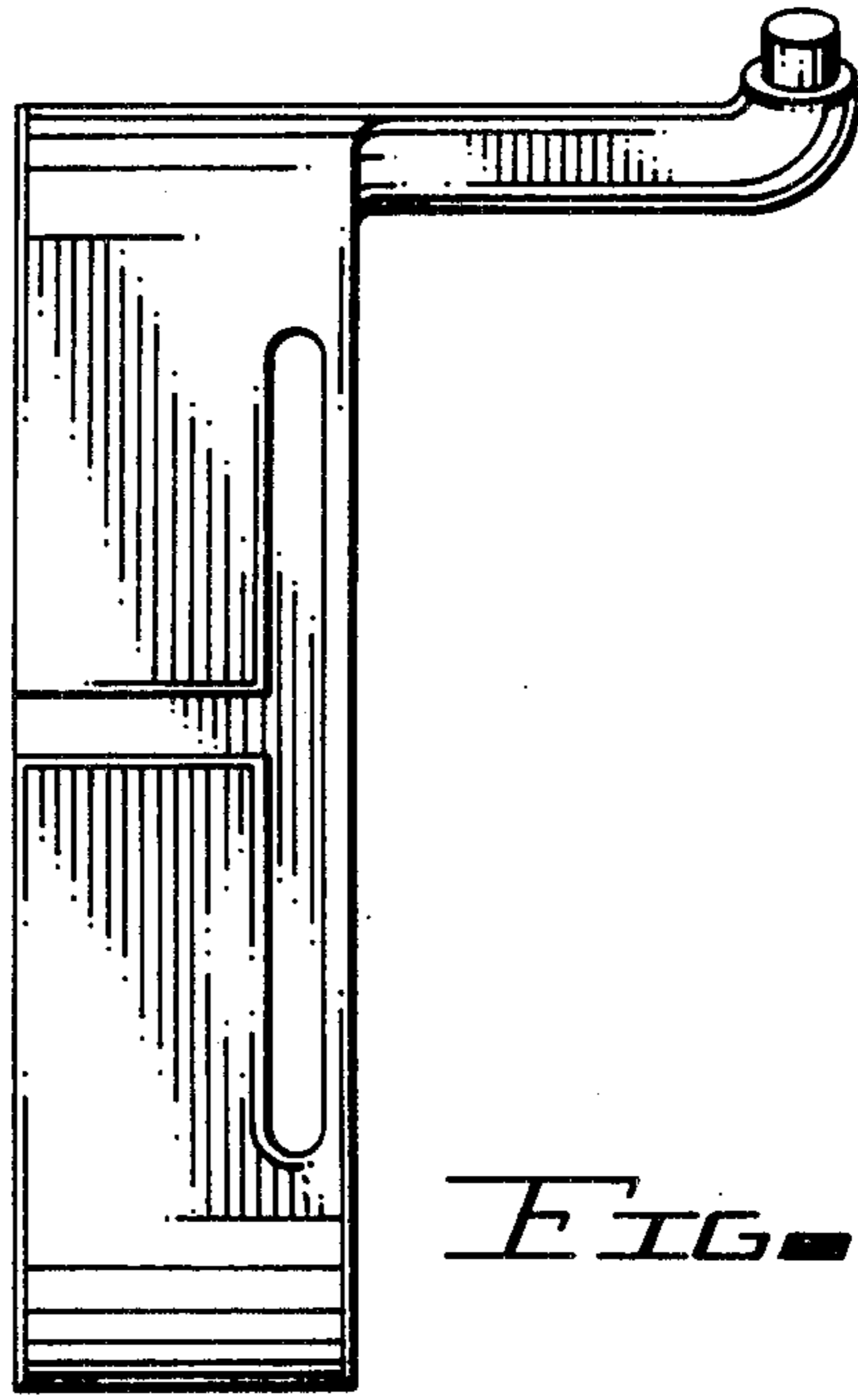


FIG. 6

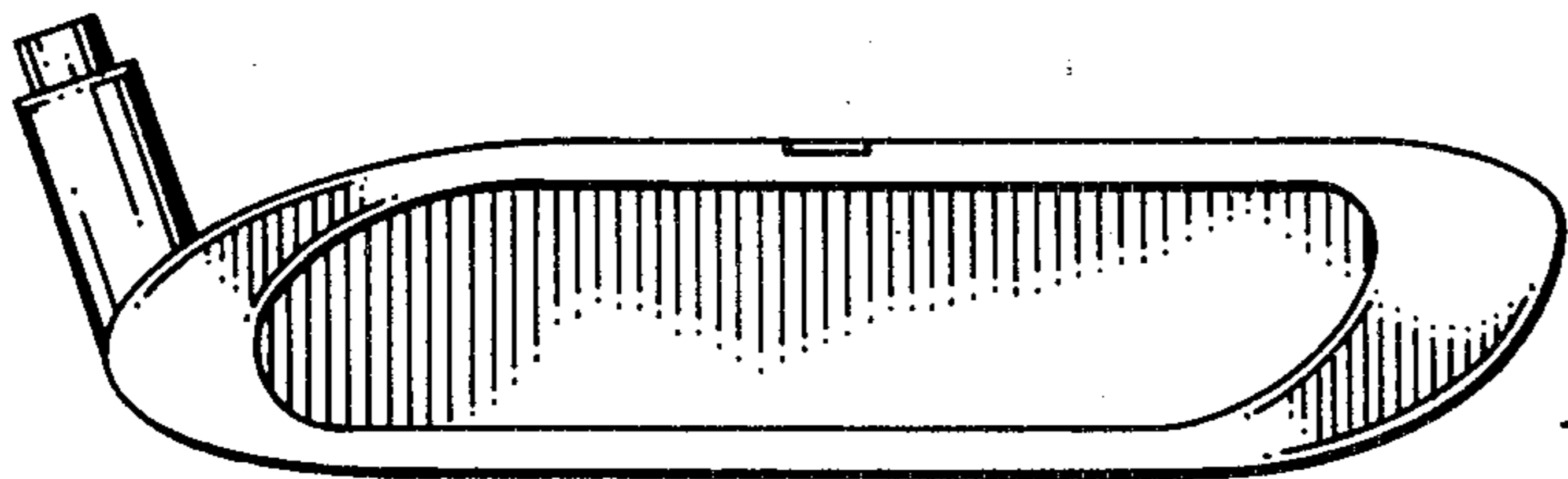


FIG. 7