

[54] **TOY VEHICLE**

[75] **Inventors: Howard N. Bollinger; Robert E. Cordrey, both of Cincinnati; Ronald G. Hayes, Batavia, all of Ohio; Gordon J. Musick, Highland Heights; W. Grey Williams, Covington, both of Ky.**

[73] **Assignee: Kenner Parker Toys Inc., Beverly, Mass.**

[\*\*] **Term: 14 Years**

[21] **Appl. No.: 698,730**

[22] **Filed: Feb. 6, 1985**

[52] **U.S. Cl. .... D21/140**

[58] **Field of Search ..... D21/128, 133, 134, 135, D21/136, 137, 139, 140; 446/465, 466, 487; D12/86, 92, 93, 99**

[56] **References Cited**

**U.S. PATENT DOCUMENTS**

- D. 248,093 6/1978 Cancilier ..... D12/99
- D. 253,193 10/1979 Pauly et al. .... D21/136

- D. 277,494 2/1985 Lerch ..... D21/136
- D. 281,000 10/1985 Kuna et al. .... D21/137
- D. 286,865 11/1986 Dayton et al. .... D12/99
- 4,580,993 4/1986 Ohno ..... 446/465

**OTHER PUBLICATIONS**

R. V. Dealer, 10-1978, p. 70, "Grand Systems" Auto Van.

R. V. Dealer, 11-1978, p. 61, Van at right side of page

*Primary Examiner*—Charles A. Rademaker

*Attorney, Agent, or Firm*—L. MeRoy Lillehaugen; Gene O. Enockson

[57] **CLAIM**

The ornamental design for a toy vehicle, substantially as shown and described.

**DESCRIPTION**

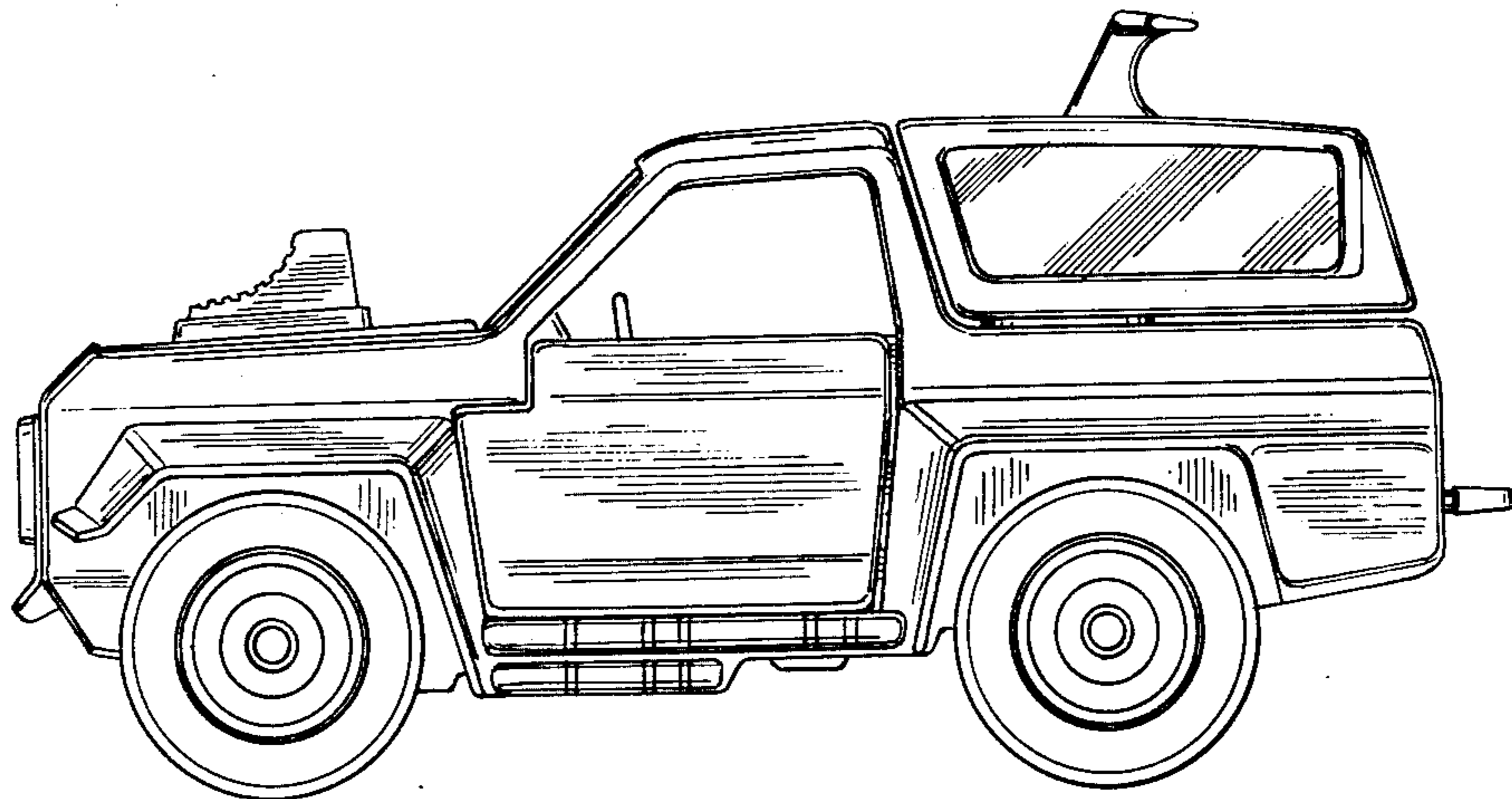
FIG. 1 is a side elevational view of a toy vehicle showing our new design, the side opposite being substantially a mirror image thereof;

FIG. 2 is a top plan view thereof;

FIG. 3 is a bottom plan view thereof;

FIG. 4 is a front elevational view thereof; and

FIG. 5 is a rear elevational view thereof.



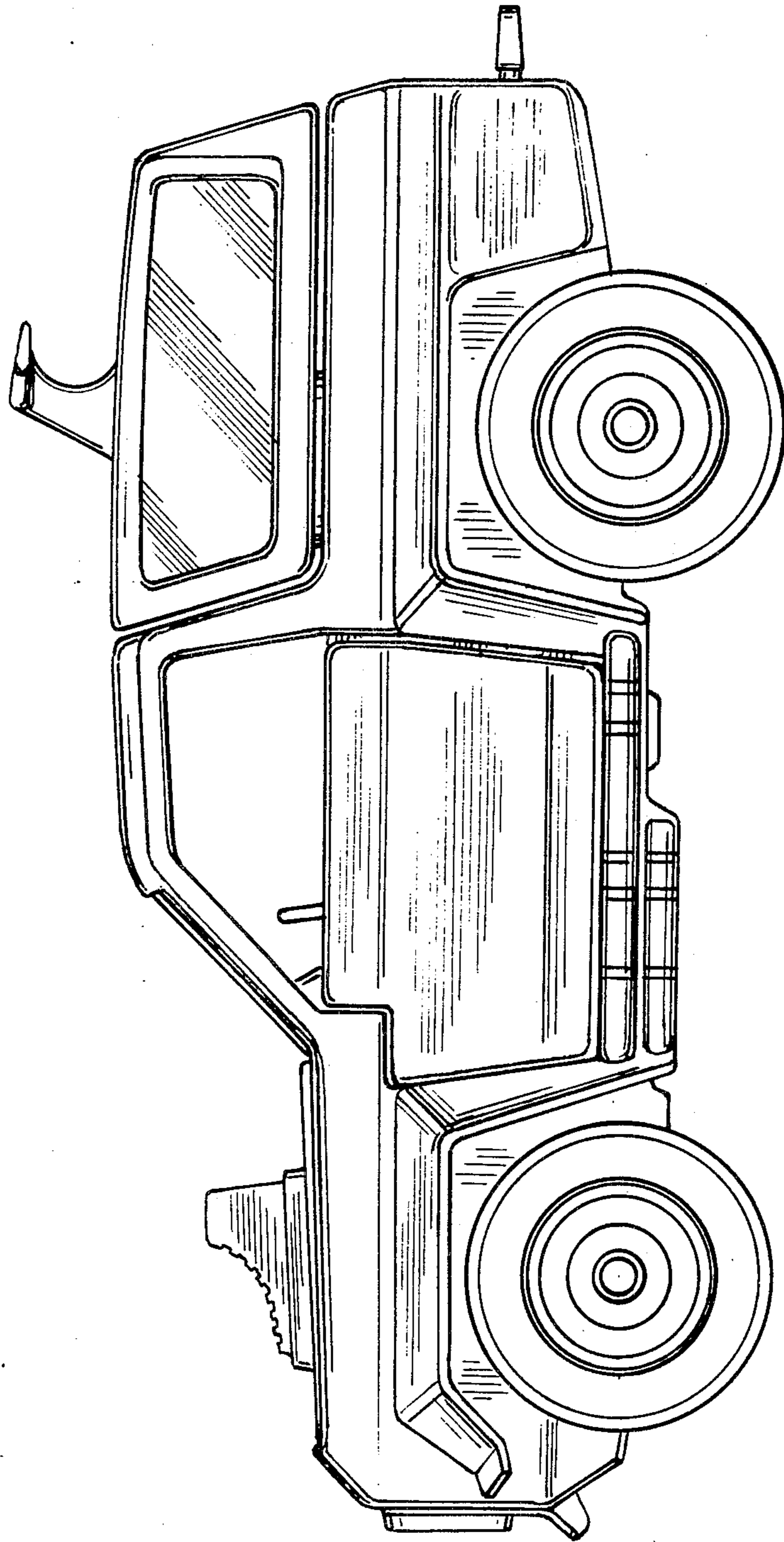


FIG. 1

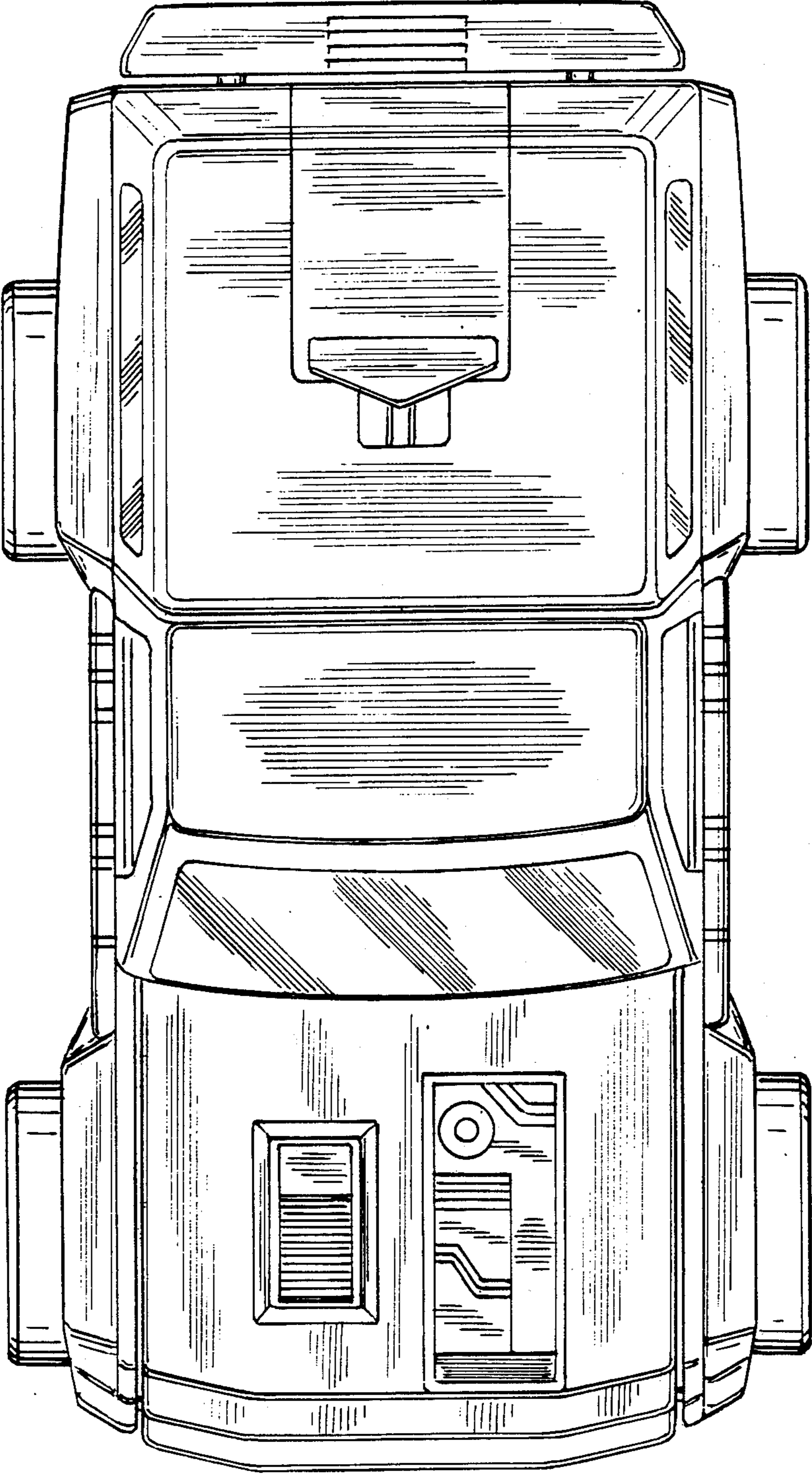


FIG. 2

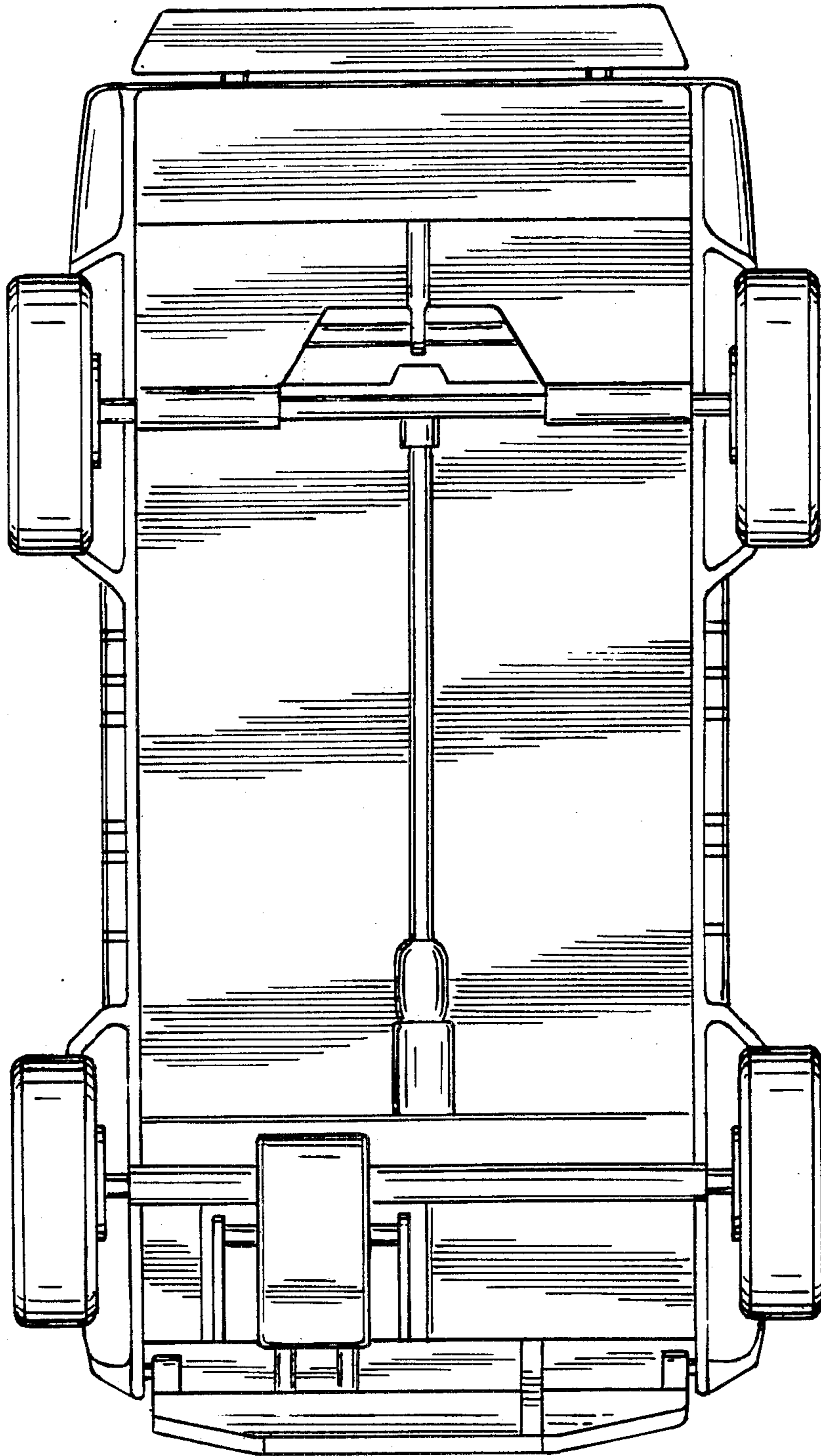
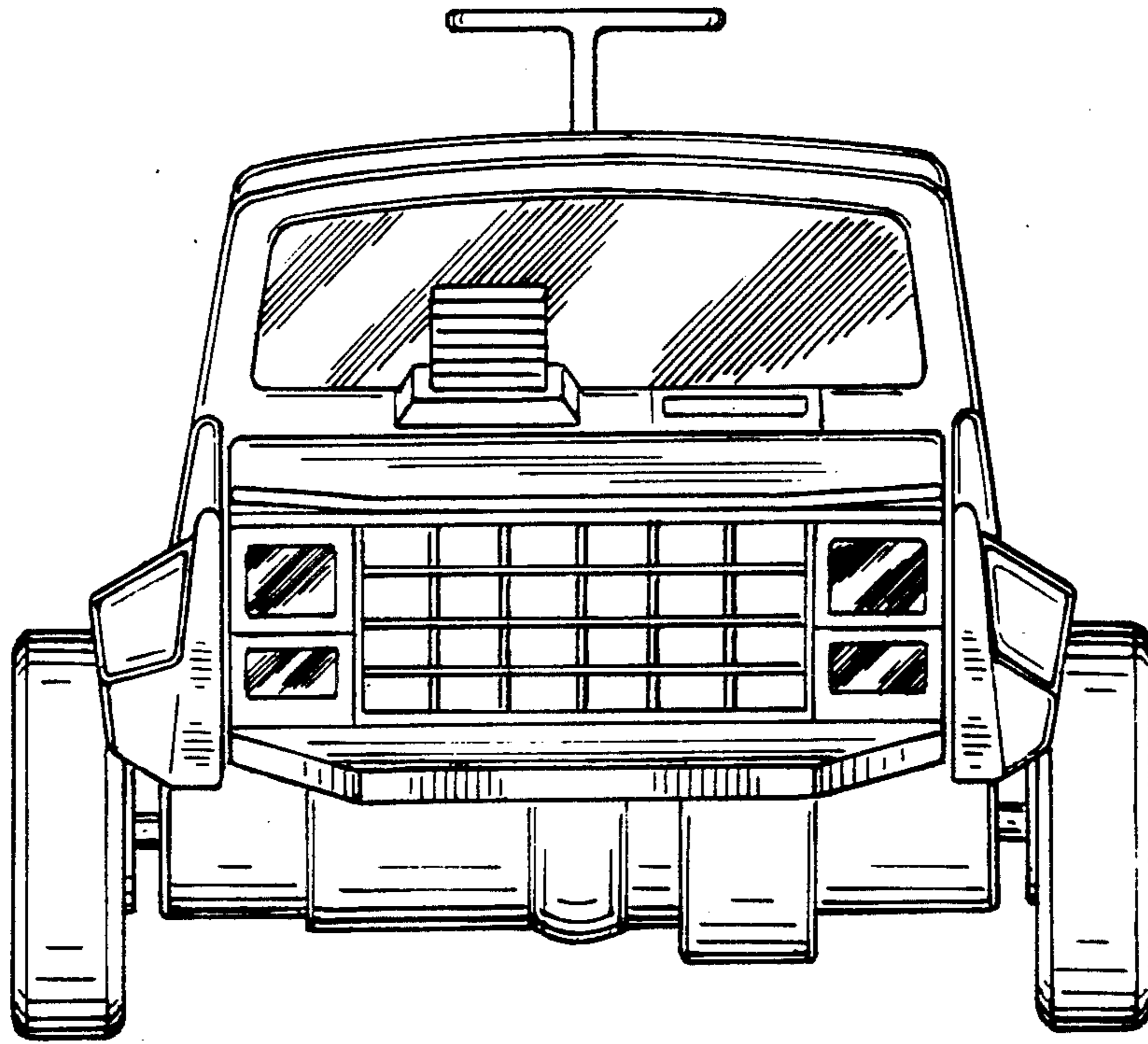
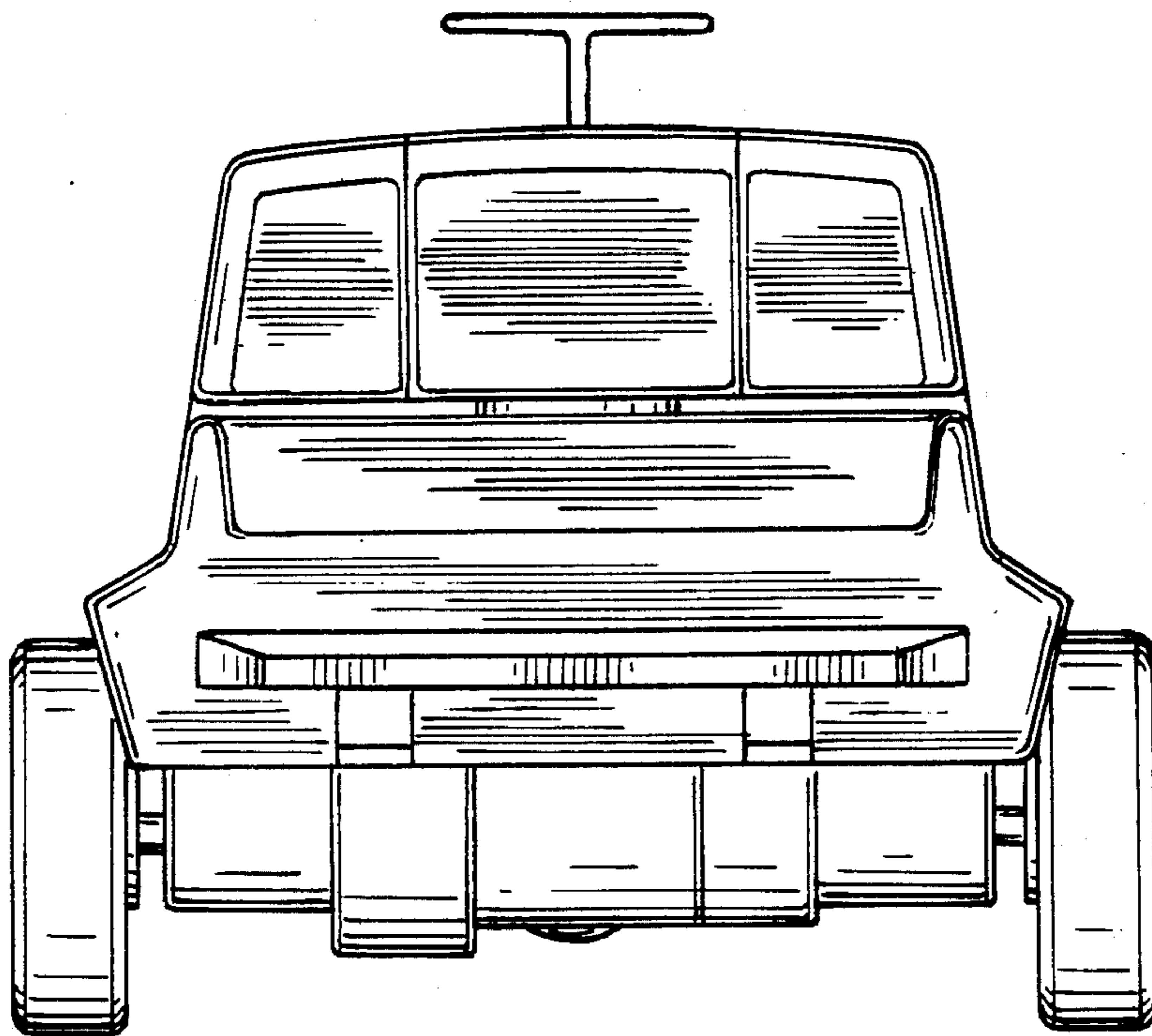


FIG. 3



*FIG. 4*



*FIG. 5*