

[54] **AQUATIC VEHICLE**

[76] **Inventor: Clayton J. Jacobson, P.O. Box 5338, Empire Landing RB, Parker, Ariz. 85344**

[**] **Term: 14 Years**

[21] **Appl. No.: 773,792**

[22] **Filed: Sep. 9, 1985**

[52] **U.S. Cl. D12/307**

[58] **Field of Search D12/307, 300; 114/270; 440/42, 38, 87, 88, 89**

[56] **References Cited**

U.S. PATENT DOCUMENTS

- D. 233,140 10/1974 Akashi et al. D12/307
- D. 237,956 12/1975 Naito et al. D12/307
- D. 241,328 9/1976 Naito et al. D12/307

3,826,220 7/1974 Jacobson 114/270
 4,509,926 4/1985 Jacobson 440/89

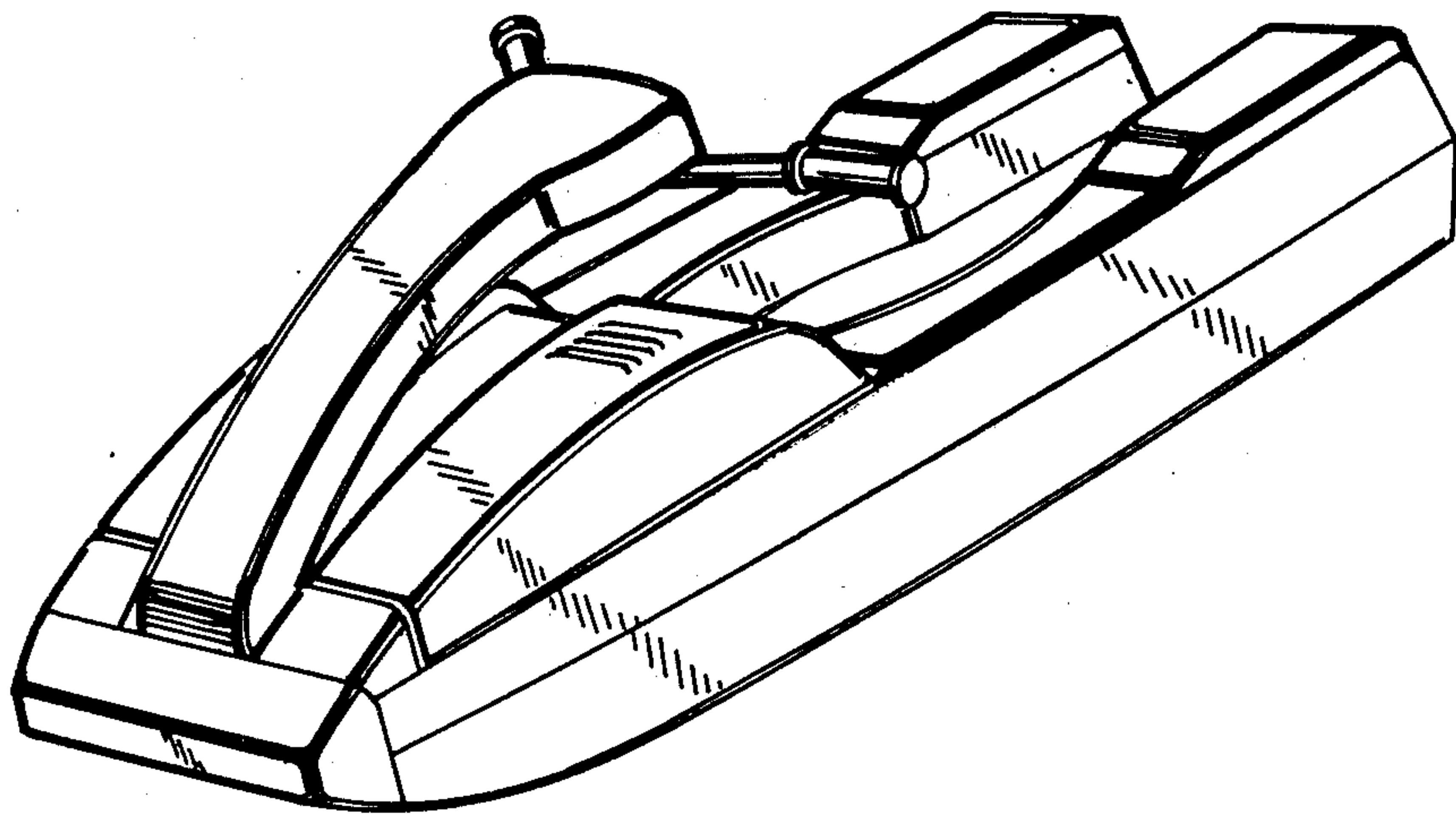
Primary Examiner—James M. Gandy
Assistant Examiner—Kay H. Chin
Attorney, Agent, or Firm—I. Michael Bak-Boyчук

[57] **CLAIM**

The ornamental design for an aquatic vehicle, as shown and described.

DESCRIPTION

FIG. 1 is a perspective view of an aquatic vehicle showing my new design;
 FIG. 2 is a side elevation view thereof, the opposite side being a mirror image of that shown;
 FIG. 3 is a top plan view thereof;
 FIG. 4 is a front elevation view thereof; and
 FIG. 5 is a rear elevation view thereof.



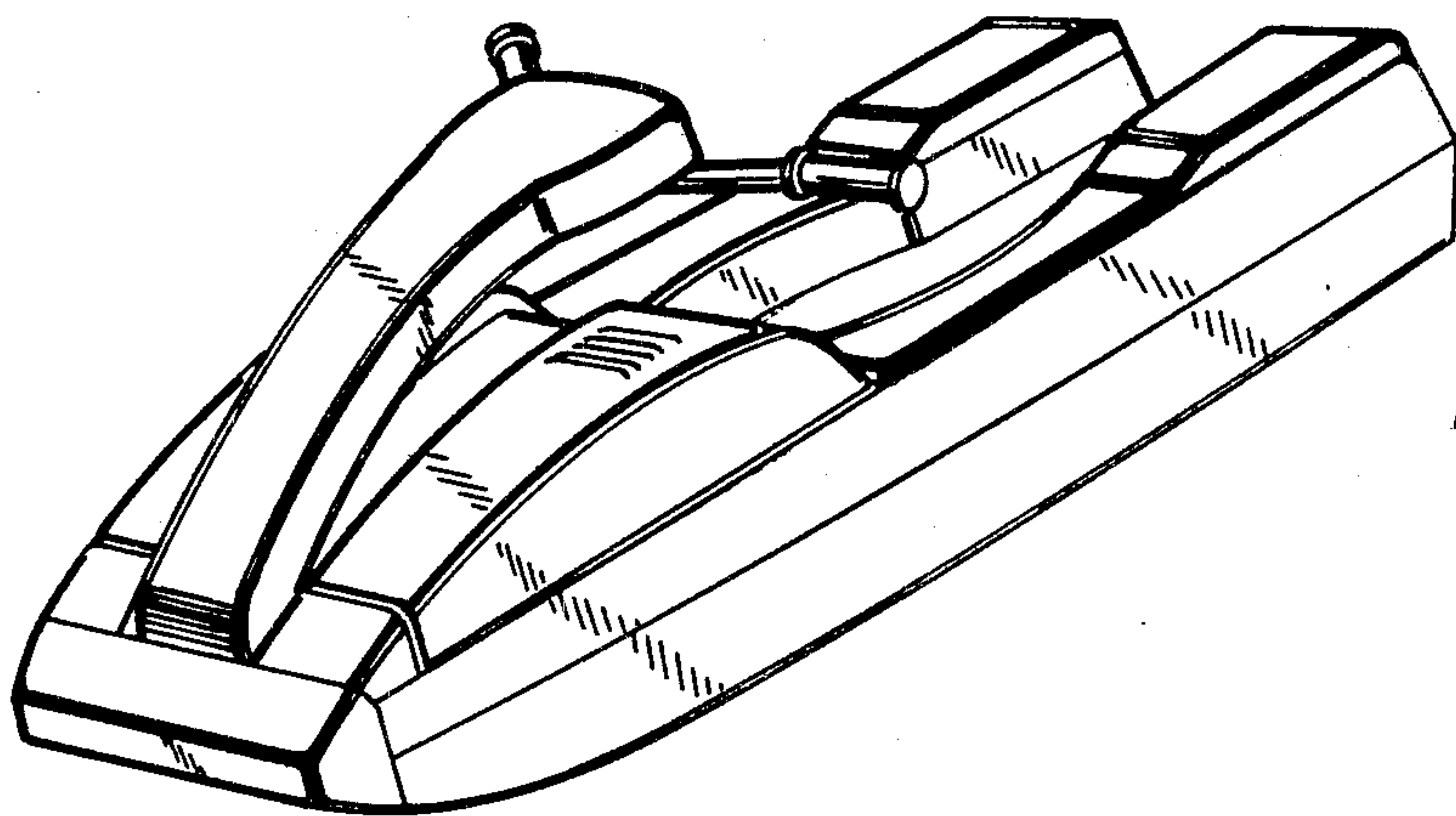


FIG. 1

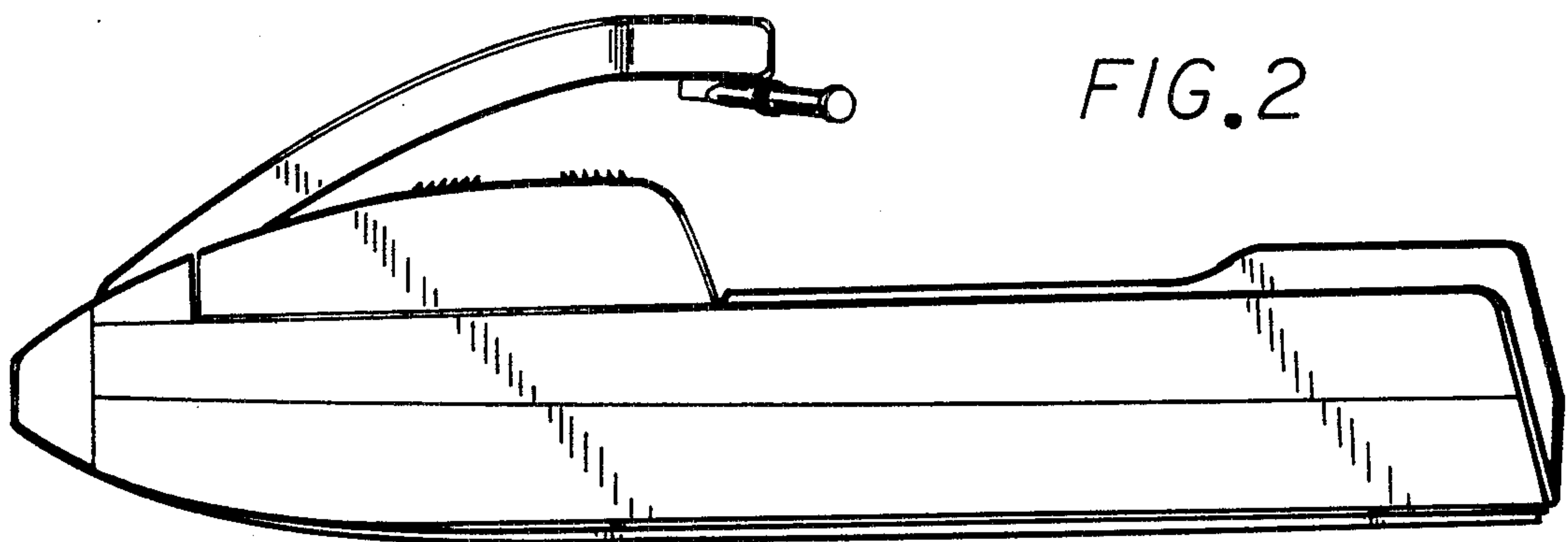


FIG. 2

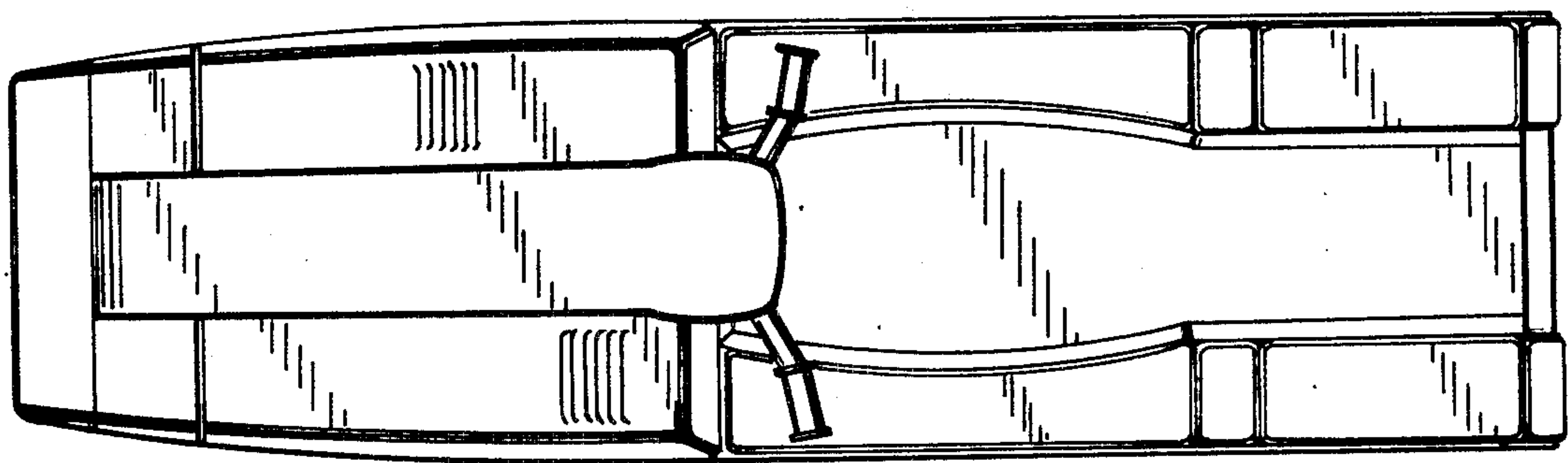


FIG. 3

FIG. 4

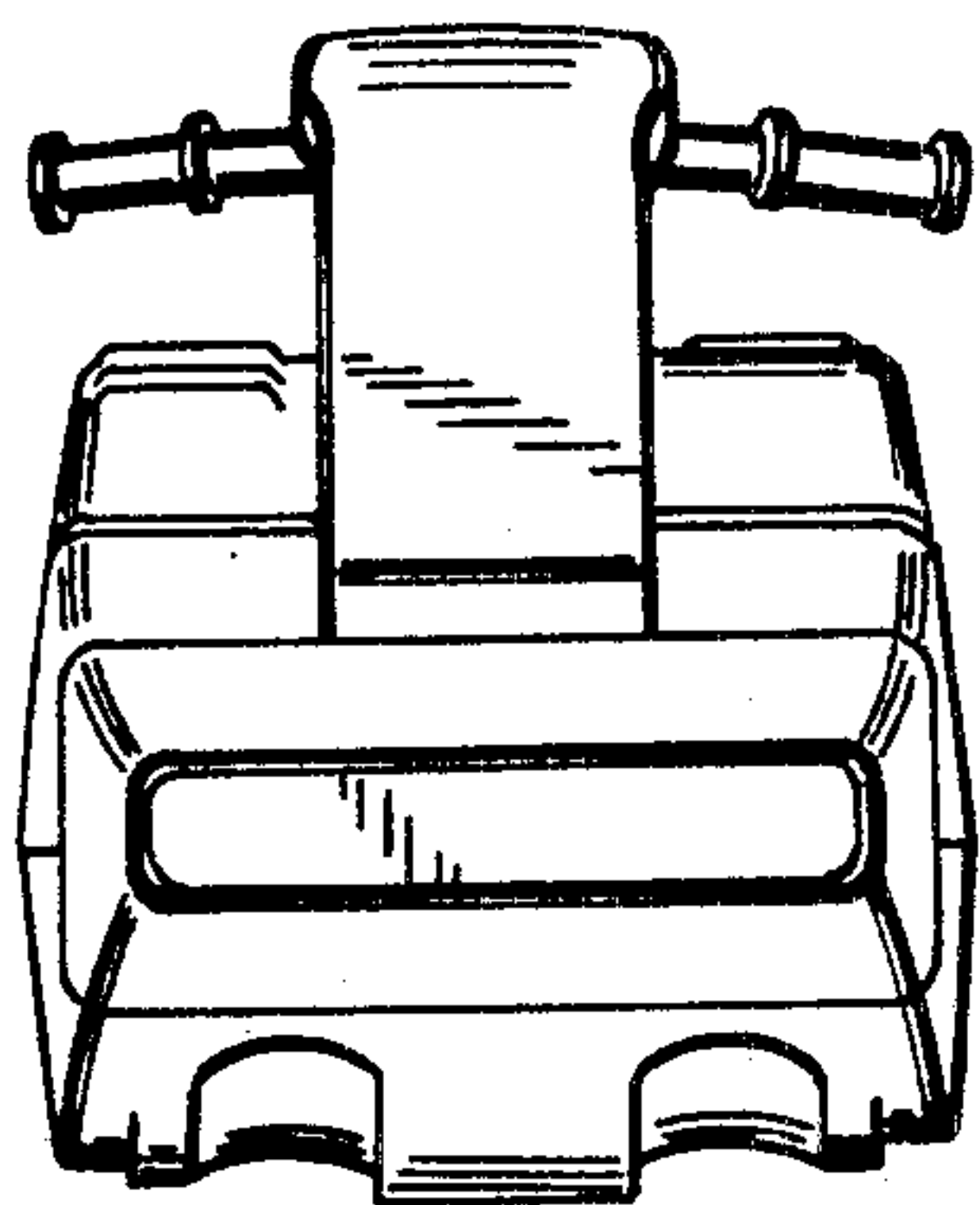


FIG. 5

