

[54] AUTOMOBILE TIRE

[75] Inventors: Takashi Nishimura; Masafumi Kawakami, both of Kobe, Japan

[73] Assignee: Sumitomo Rubber Industries, Ltd., Kobe, Japan

[**] Term: 14 Years

[21] Appl. No.: 648,940

[22] Filed: Sep. 10, 1984

[30] Foreign Application Priority Data

Aug. 7, 1984 [JP] Japan 59-33537

[52] U.S. Cl. D12/150

[58] Field of Search D12/136, 137, 146-151; 152/209 R, 209 D, 209 B

[56] References Cited

U.S. PATENT DOCUMENTS

- D. 219,091 10/1970 Schuster D12/146
- D. 228,045 7/1973 Fetty D12/151

OTHER PUBLICATIONS

1983 Tread Design Guide, p. 164, General Ameri DCL

Tire, second row down from top & second Tire in from right side.

1984 Tread Design Guide, p. 142, Sigma T488 Super Cross Bar Tire, top left side of page.

Tread Design Guide (1984), "Diamond Highway Hauler DW tire", p. 167.

Primary Examiner—James M. Gandy

Attorney, Agent, or Firm—Stevens, Davis, Miller & Mosher

[57] CLAIM

The ornamental design for an automobile tire, as shown and described.

DESCRIPTION

FIG. 1 is a perspective view of an automobile tire showing my new design, it being understood that the tread pattern is repeated throughout the circumference of the tire;

FIG. 2 is an end elevational view thereof; and

FIG. 3 is a side elevational view of the side shown, the opposite side being a mirror image thereof.

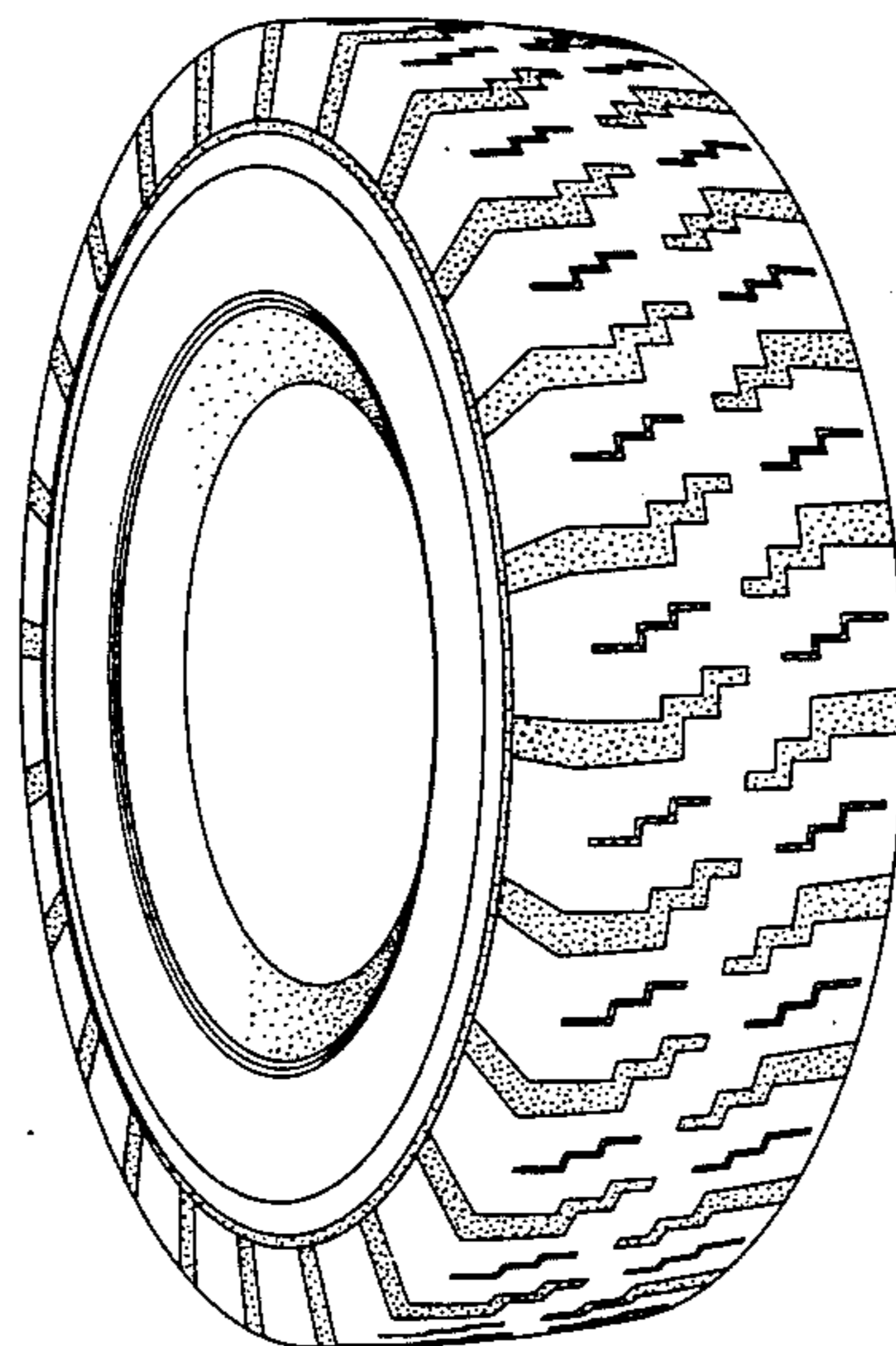


FIG. 1

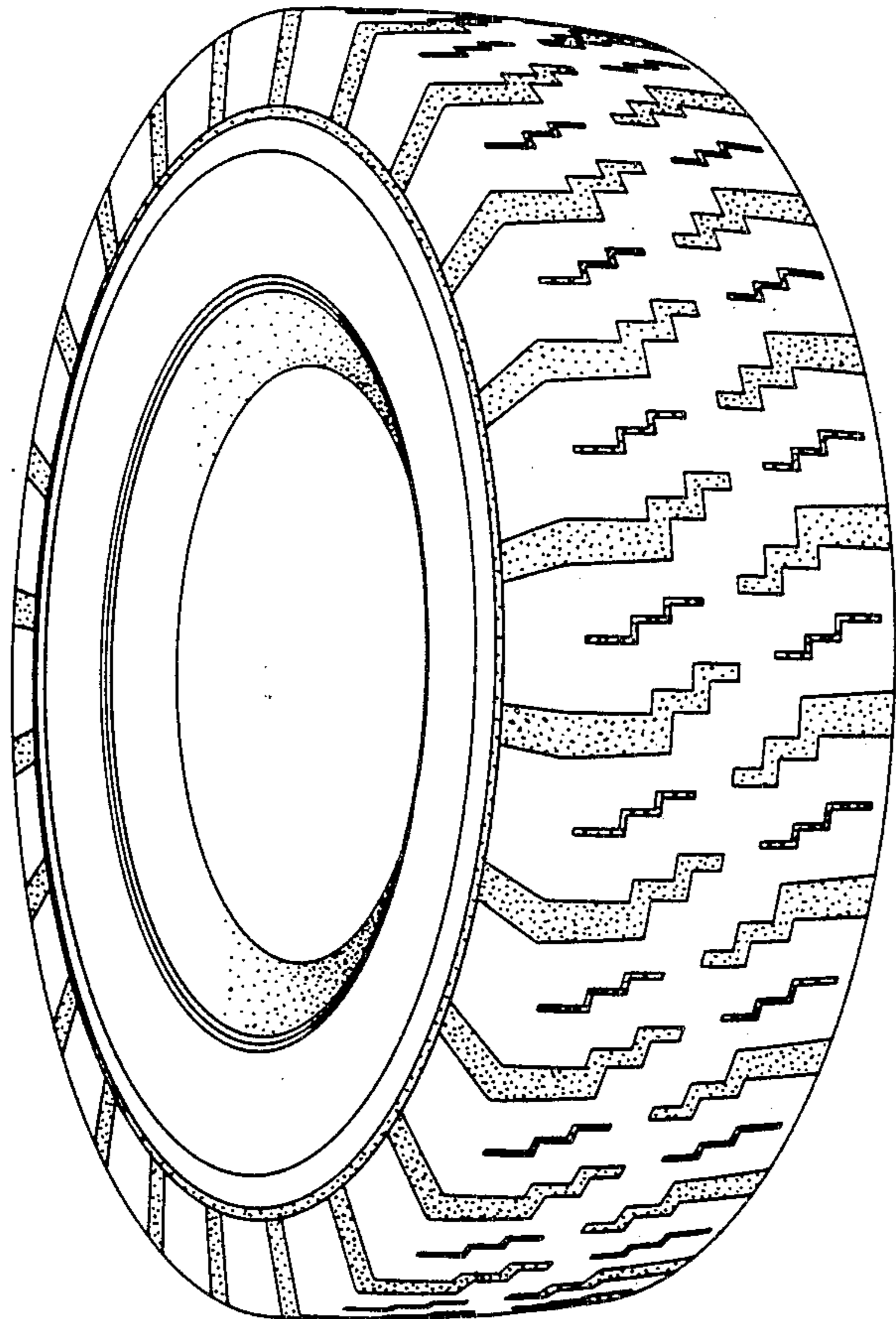


FIG. 2

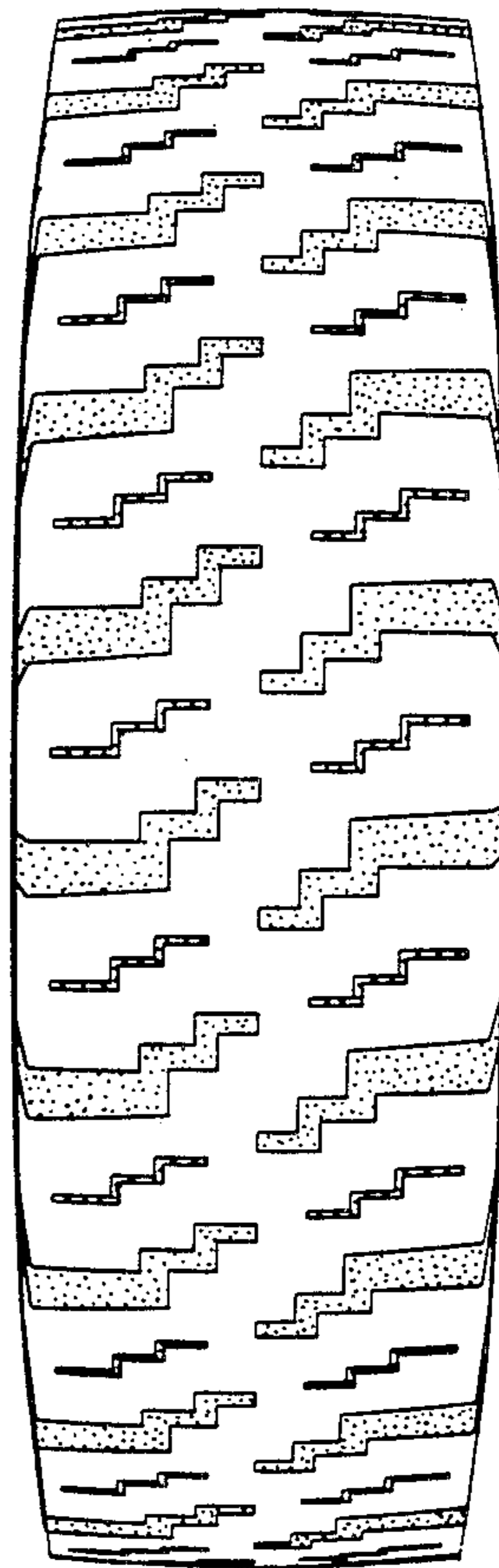


FIG. 3

