

United States Patent [19]

Bardeau

[11] Patent Number: **Des. 289,888**

[45] Date of Patent: **** May 19, 1987**

[54] HINGE

[75] Inventor: **William M. Bardeau**, Toronto, Canada

[73] Assignee: **Cleveland Range Ltd.**, Downsview, Canada

[**] Term: **14 Years**

[21] Appl. No.: **619,952**

[22] Filed: **Jun. 12, 1984**

[30] **Foreign Application Priority Data**

May 30, 1984 [CA] Canada 30-05-84-10

[52] U.S. Cl. **D8/323; D8/382**

[58] Field of Search **D8/323, 382; 16/221, 16/386, 387; 403/43, 164, 165**

[56] **References Cited**

U.S. PATENT DOCUMENTS

3,124,369	3/1964	Traugott	403/164
4,302,126	11/1981	Fier	403/43
4,359,293	11/1982	Miyoshi	403/165
4,407,600	10/1983	Thompson	403/403

Primary Examiner—B. J. Bullock

Attorney, Agent, or Firm—Rogers, Bereskin & Parr

[57] **CLAIM**

The ornamental design for a hinge, as shown.

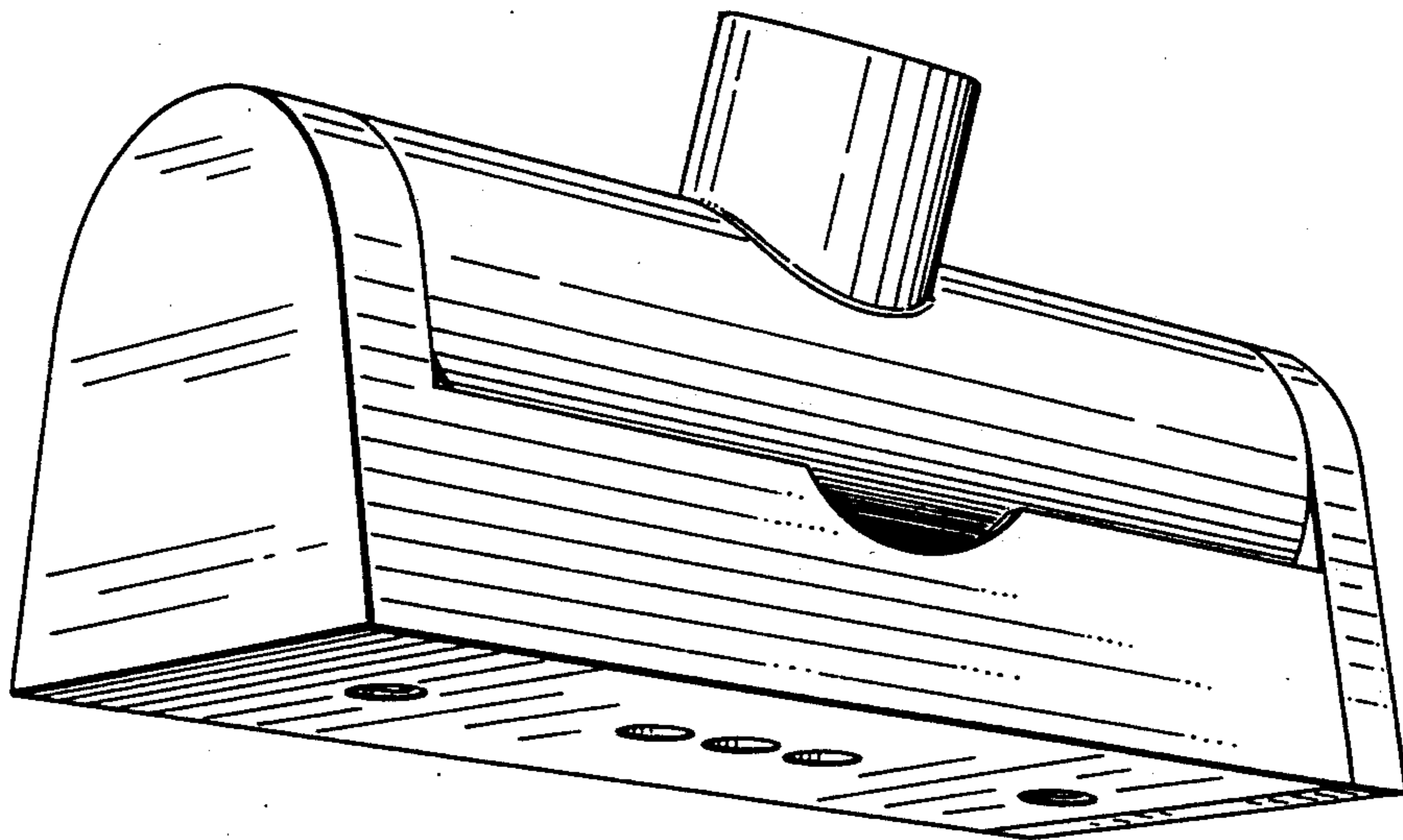
DESCRIPTION

FIG. 1 is a top, front and left side perspective view of a hinge showing my new design;

FIG. 2 is a bottom, rear and right side perspective view thereof;

FIG. 3 is a top plan view thereof;

FIG. 4 is a right side elevational view thereof.



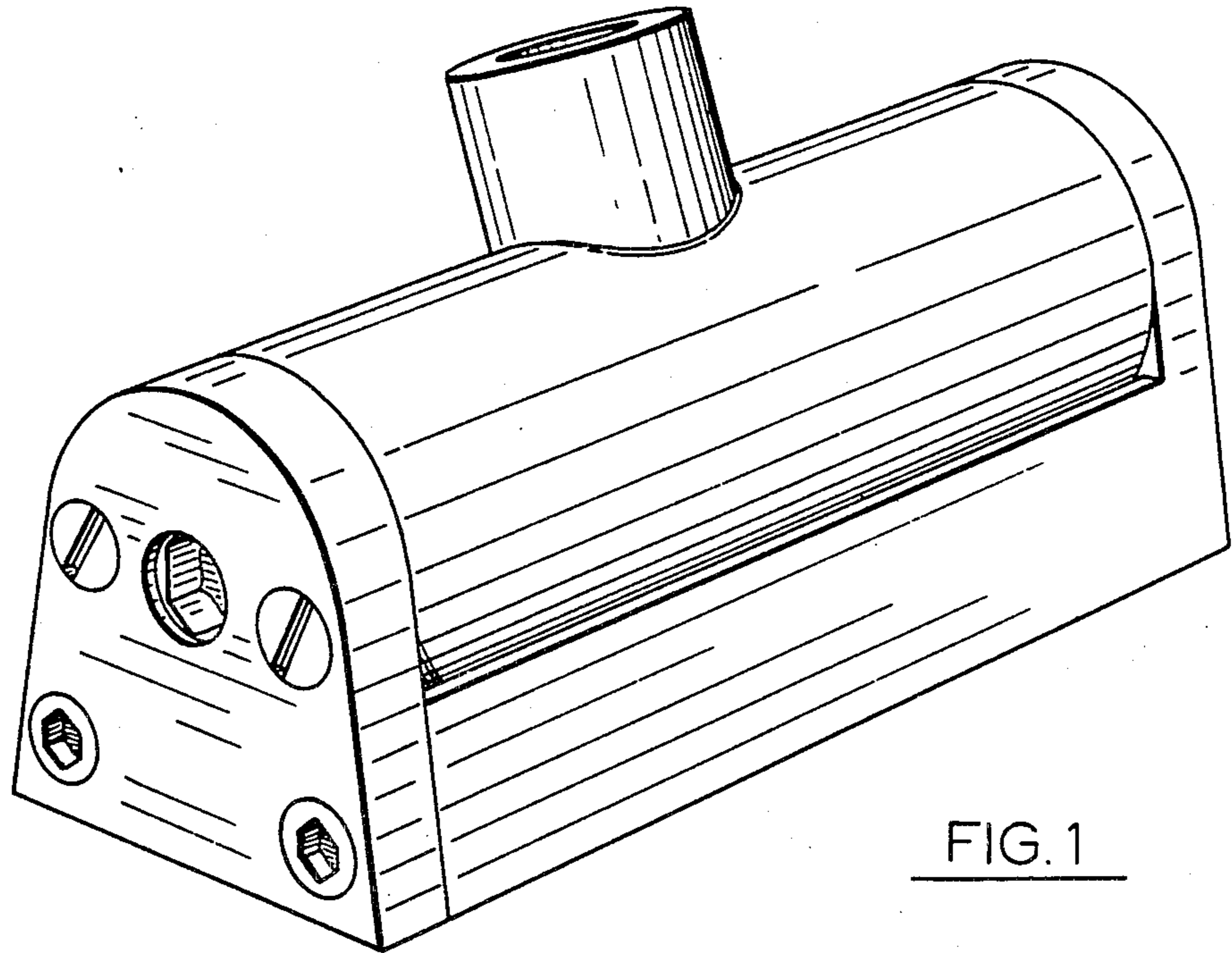


FIG. 1

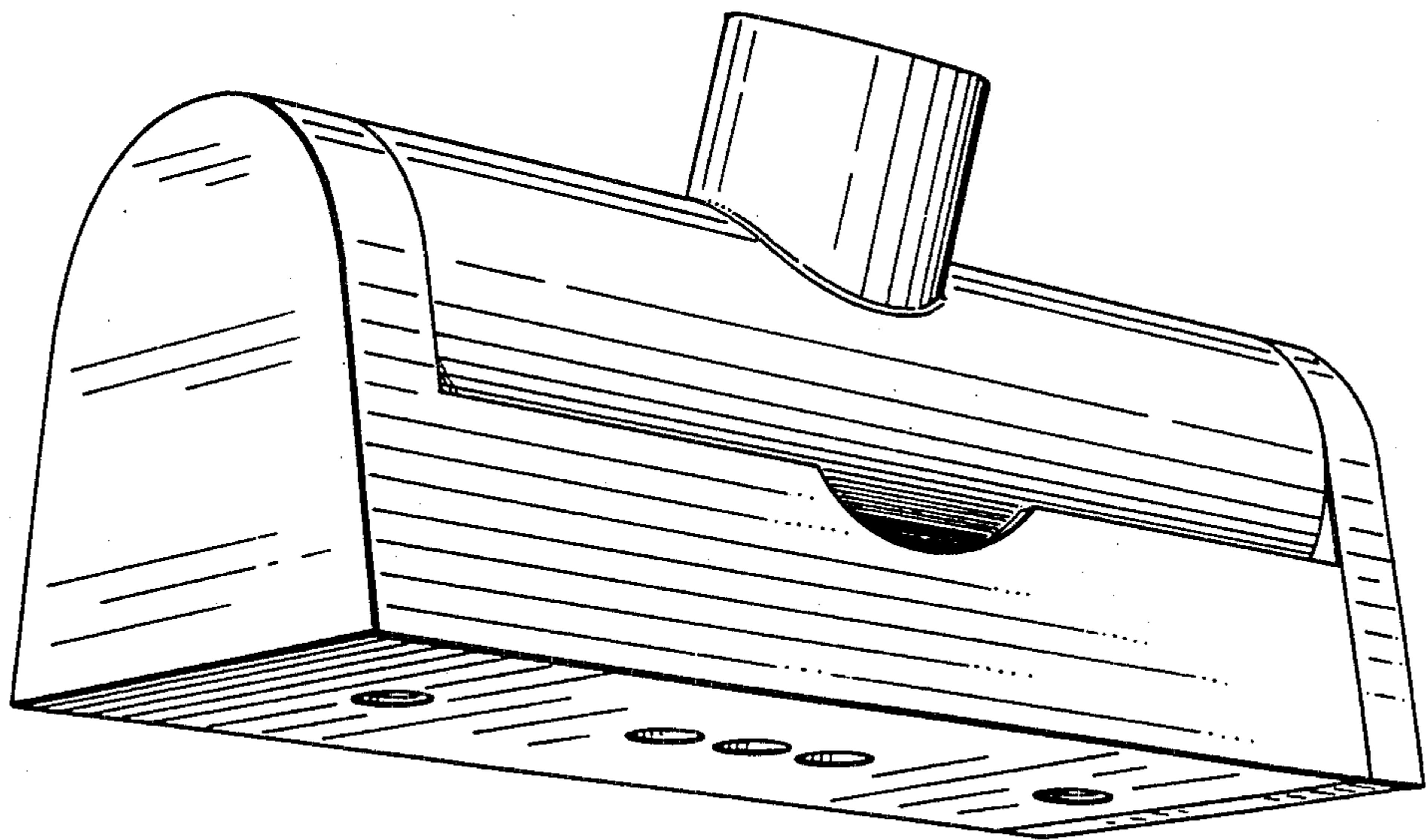


FIG. 2

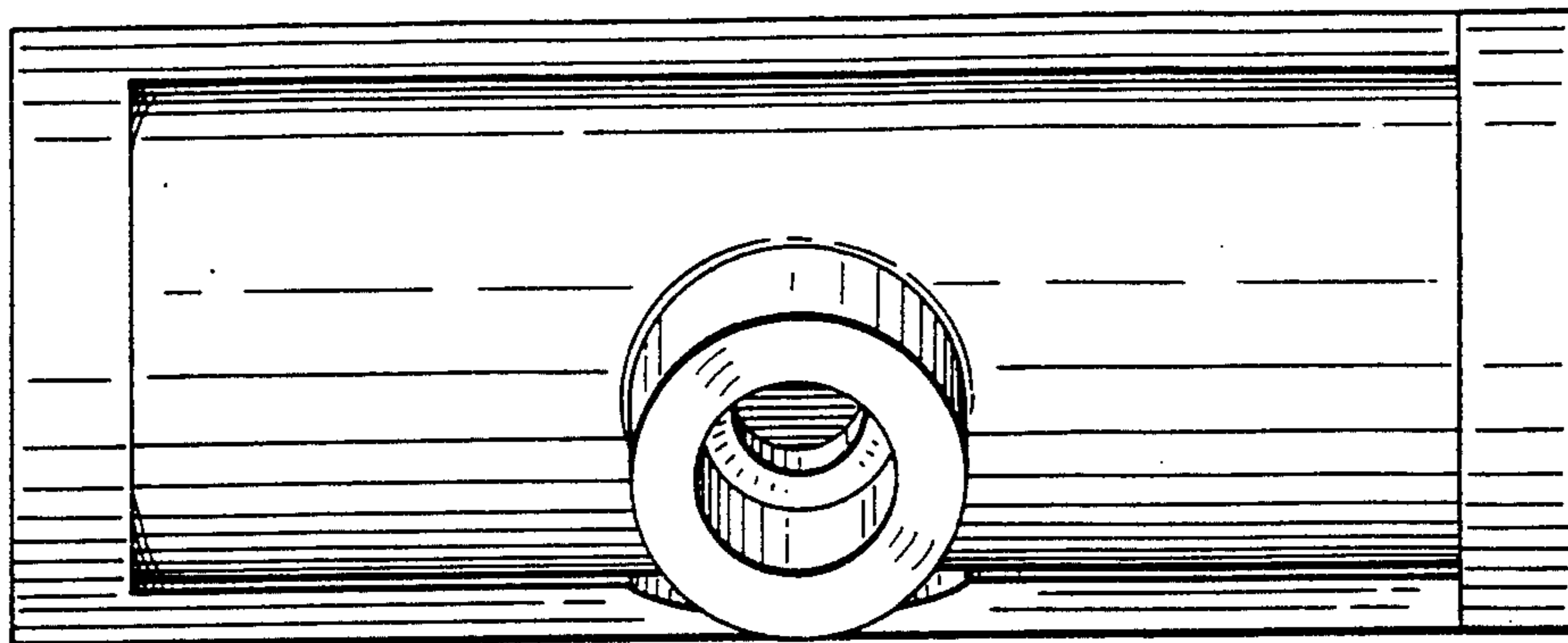


FIG. 3

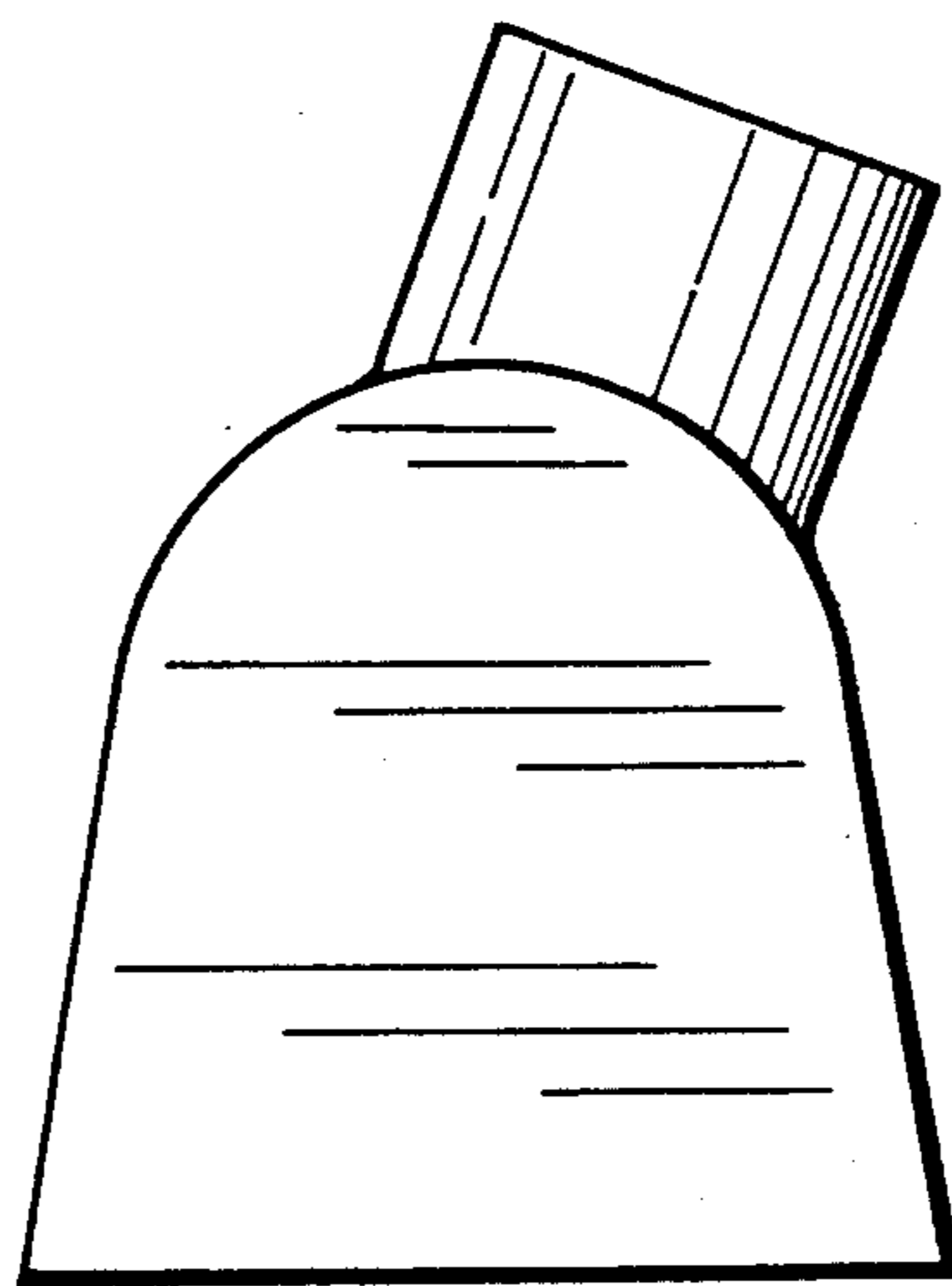


FIG. 4