

[54] LIFTING TOOL FOR AIRPORT RUNWAY LIGHTS

[76] Inventor: Charles E. Turnipseed, 515 Harmon Ter., Arlington, Tex. 76010

[\*\*] Term: 14 Years

[21] Appl. No.: 686,280

[22] Filed: Dec. 26, 1984

[52] U.S. Cl. .... D8/54; D8/14; D8/52

[58] Field of Search ..... D8/14, 51, 52, 54; 294/137, 167, 169

[56] References Cited

U.S. PATENT DOCUMENTS

D. 285,165	8/1986	Nakamura	.....	D8/52
398,902	3/1889	Payne	.....	294/137
705,878	7/1902	Shottenberg	.....	294/169

1,103,615	7/1914	Nilson	.....	294/167
1,593,263	7/1926	Jaworski	.....	294/169
2,337,580	12/1943	Webster	.....	294/169
3,346,157	10/1967	Haney	.....	294/137
3,537,594	11/1970	Daley	.....	294/169

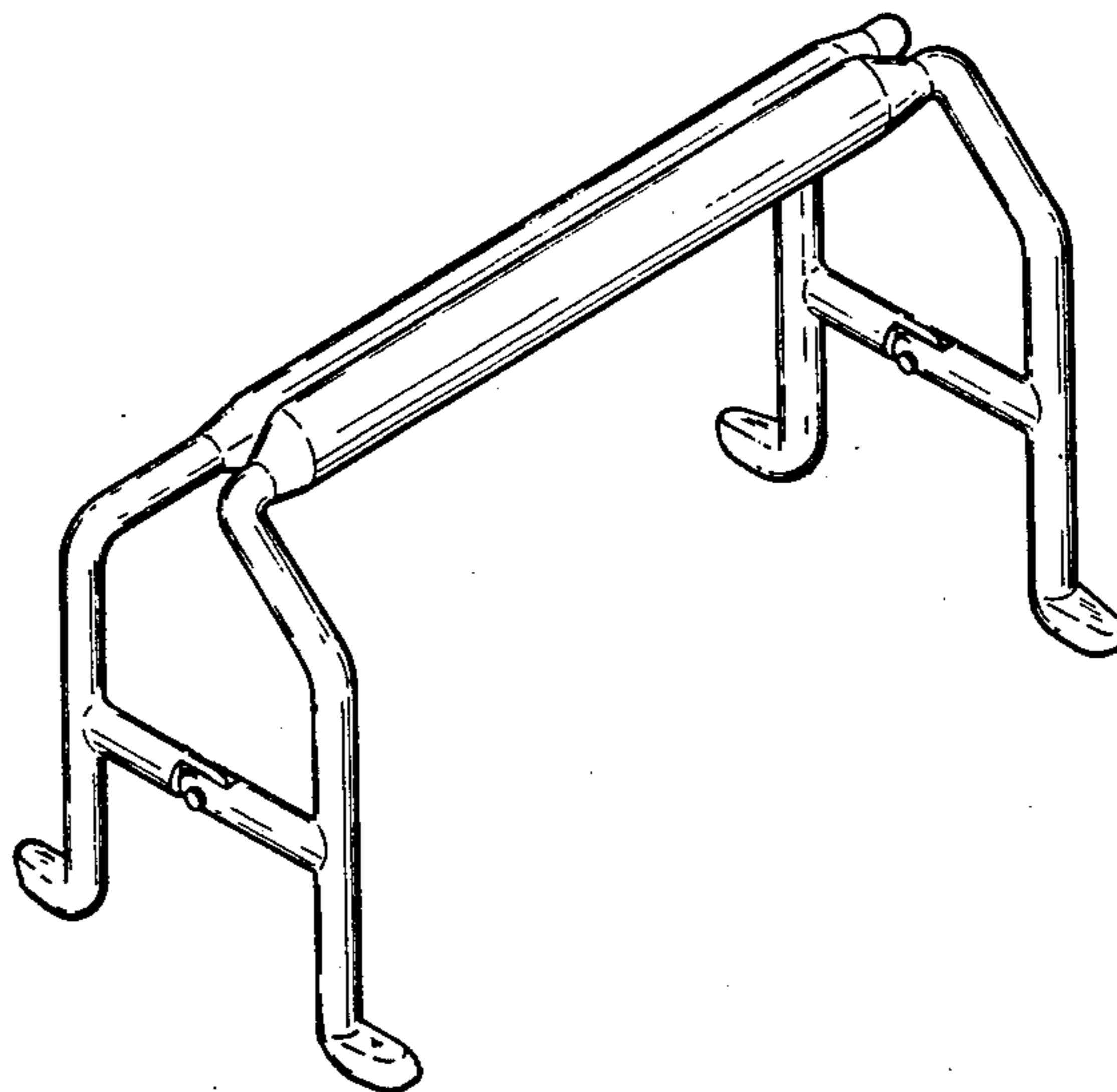
Primary Examiner—B. J. Bullock  
Attorney, Agent, or Firm—Charles W. McHugh

[57] CLAIM

The ornamental design for a lifting tool for airport runway lights, as shown and described.

DESCRIPTION

FIG. 1 is a perspective view of the lifting tool for airport runway lights showing my new design;  
FIG. 2 is a reduced end view thereof, both ends being identical;  
FIG. 3 is a reduced side view thereof, both sides being identical;  
FIG. 4 is a reduced top view thereof;  
FIG. 5 is a reduced bottom view thereof.



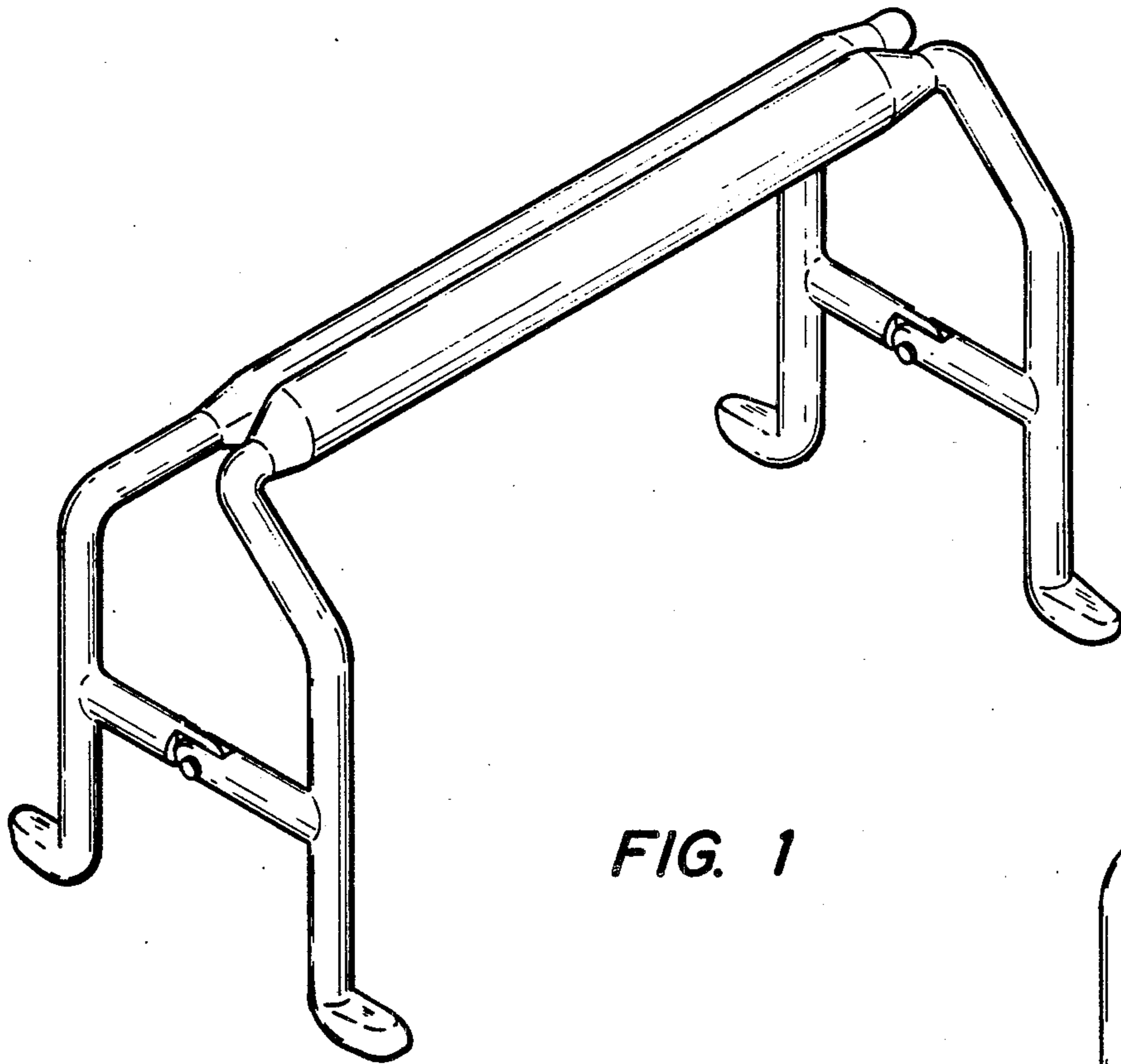


FIG. 1

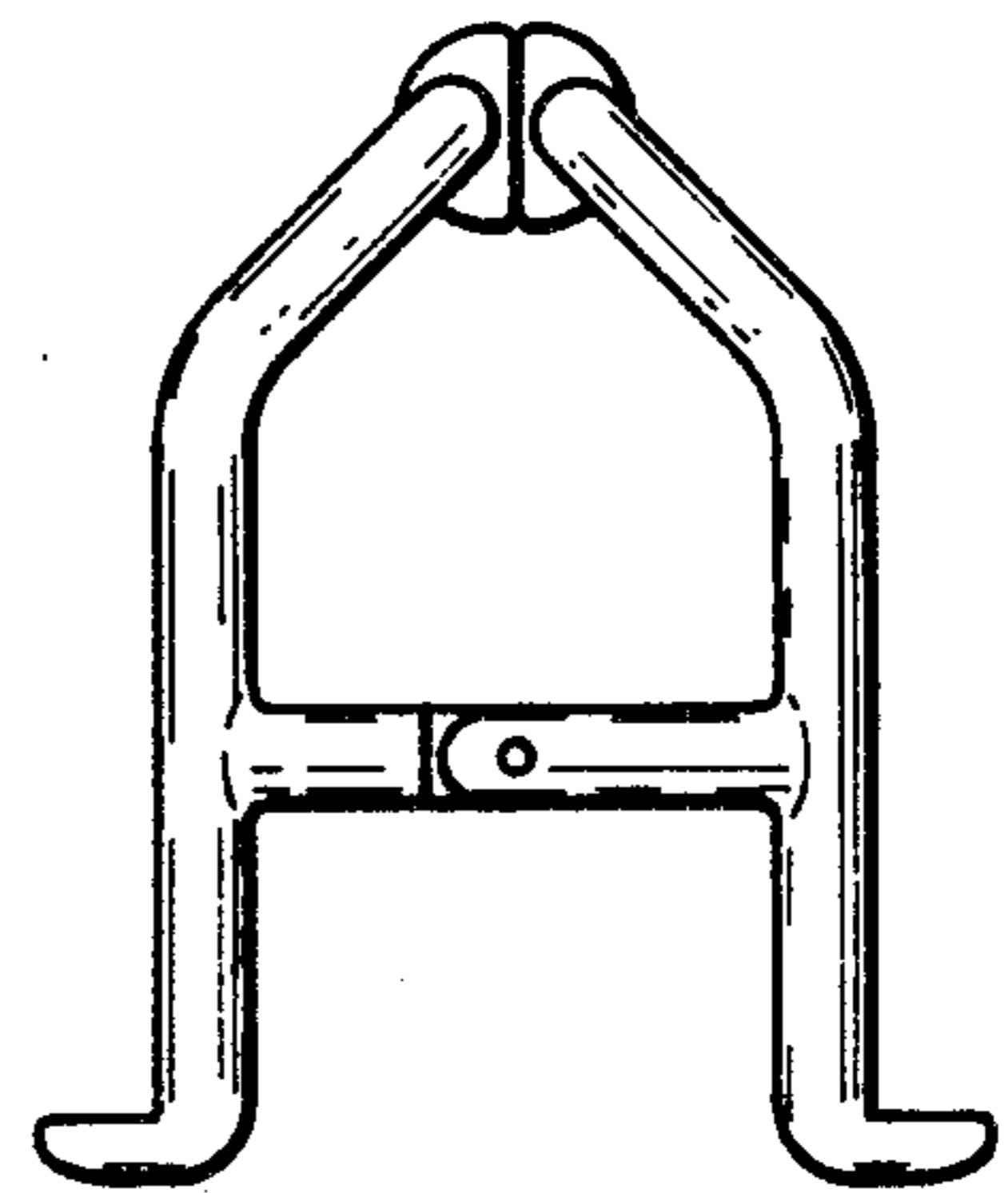


FIG. 2

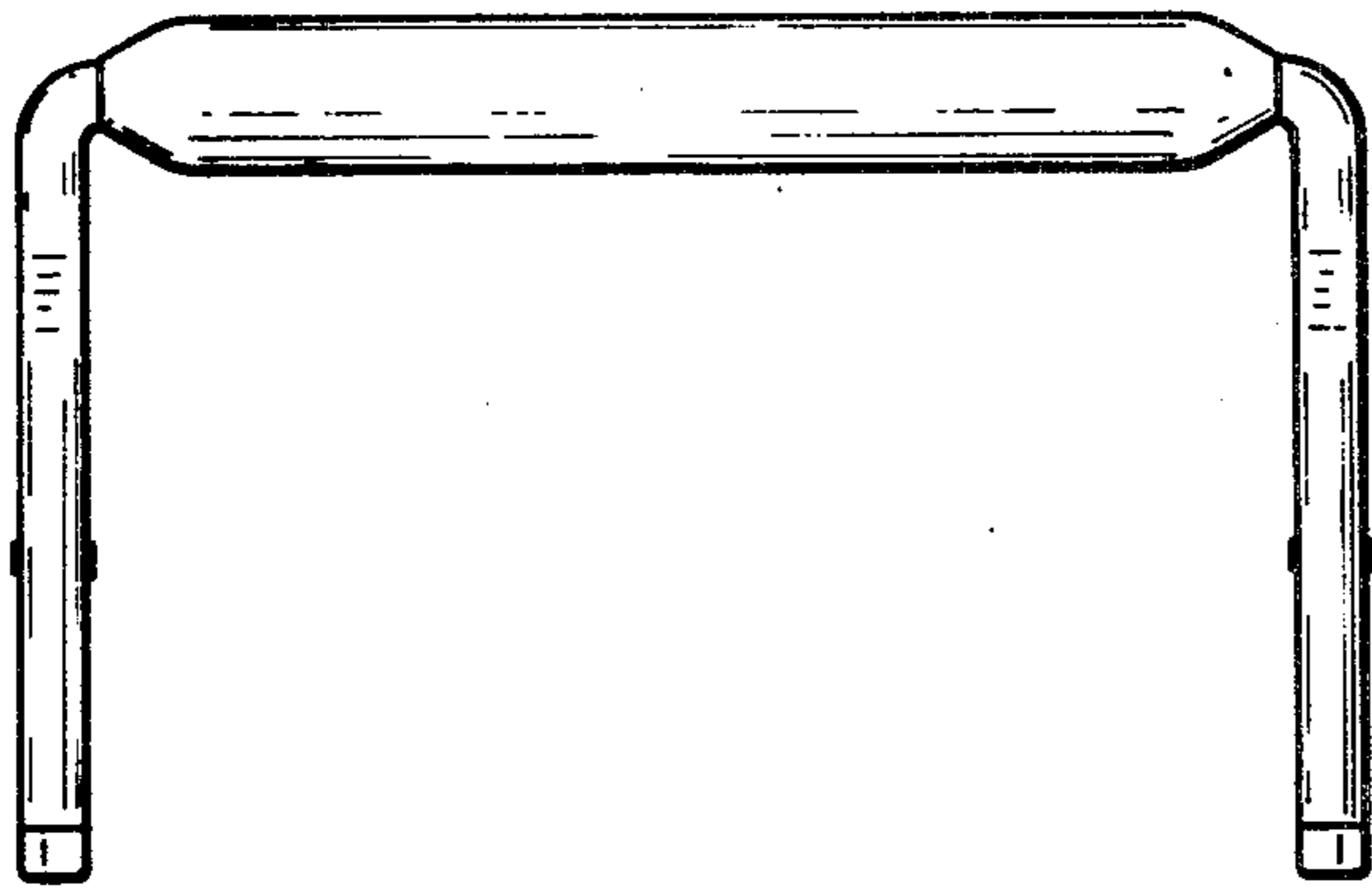


FIG. 3

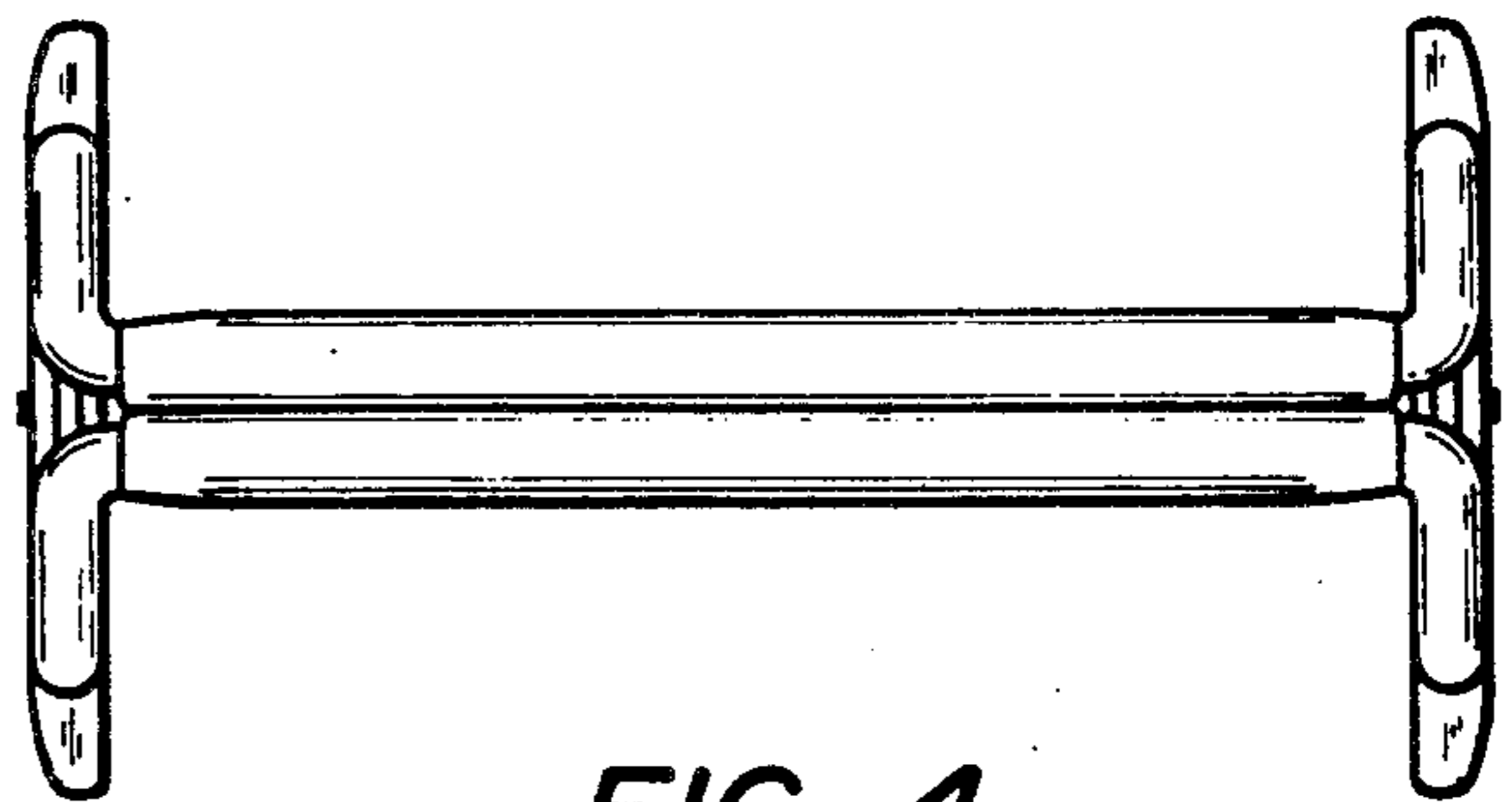


FIG. 4

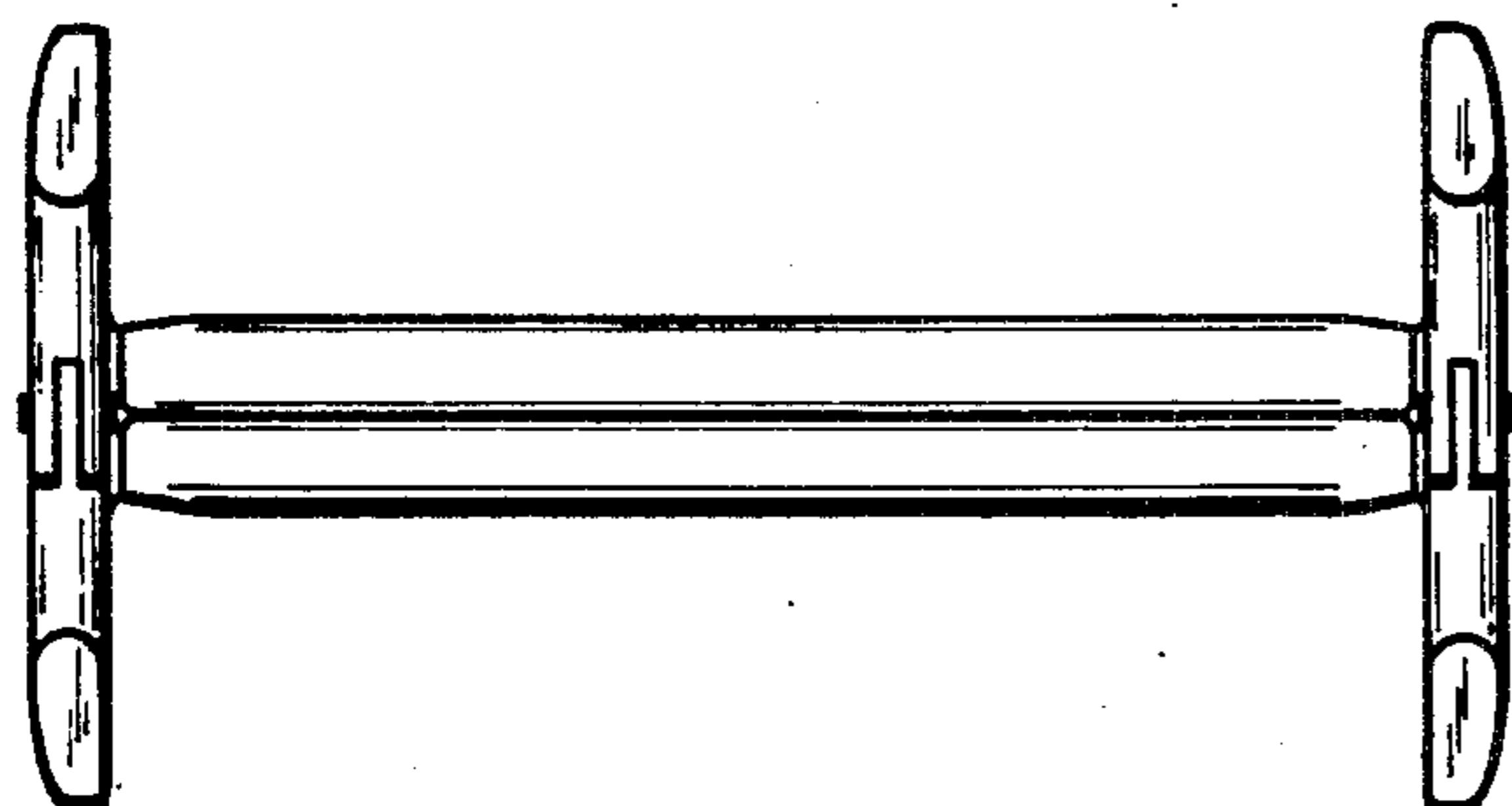


FIG. 5