

[54] DISKETTE PUNCH OR SIMILAR ARTICLE

[75] Inventor: William A. Penaluna, Pinole, Calif.

[73] Assignee: Douglas Chew, Oakland, Calif.

[\*\*] Term: 14 Years

[21] Appl. No.: 623,472

[22] Filed: Jun. 22, 1984

[52] U.S. Cl. .... D8/52; D8/98; D19/72

[58] Field of Search ..... D8/14, 52, 98; D19/72; 30/363; 83/467, 633, 669, 684

[56] References Cited

U.S. PATENT DOCUMENTS

- D. 218,671 9/1970 Ruggles ..... D8/52
- D. 251,600 4/1979 MacGregor ..... D19/72
- D. 282,624 2/1986 Hartmeister ..... D8/14
- 2,191,382 2/1940 Hart ..... 30/363

- 3,284,899 11/1966 Mercorelli ..... 30/363
- 3,372,482 3/1968 Mercorelli ..... 30/363
- 4,033,037 7/1977 Cooley ..... 30/363

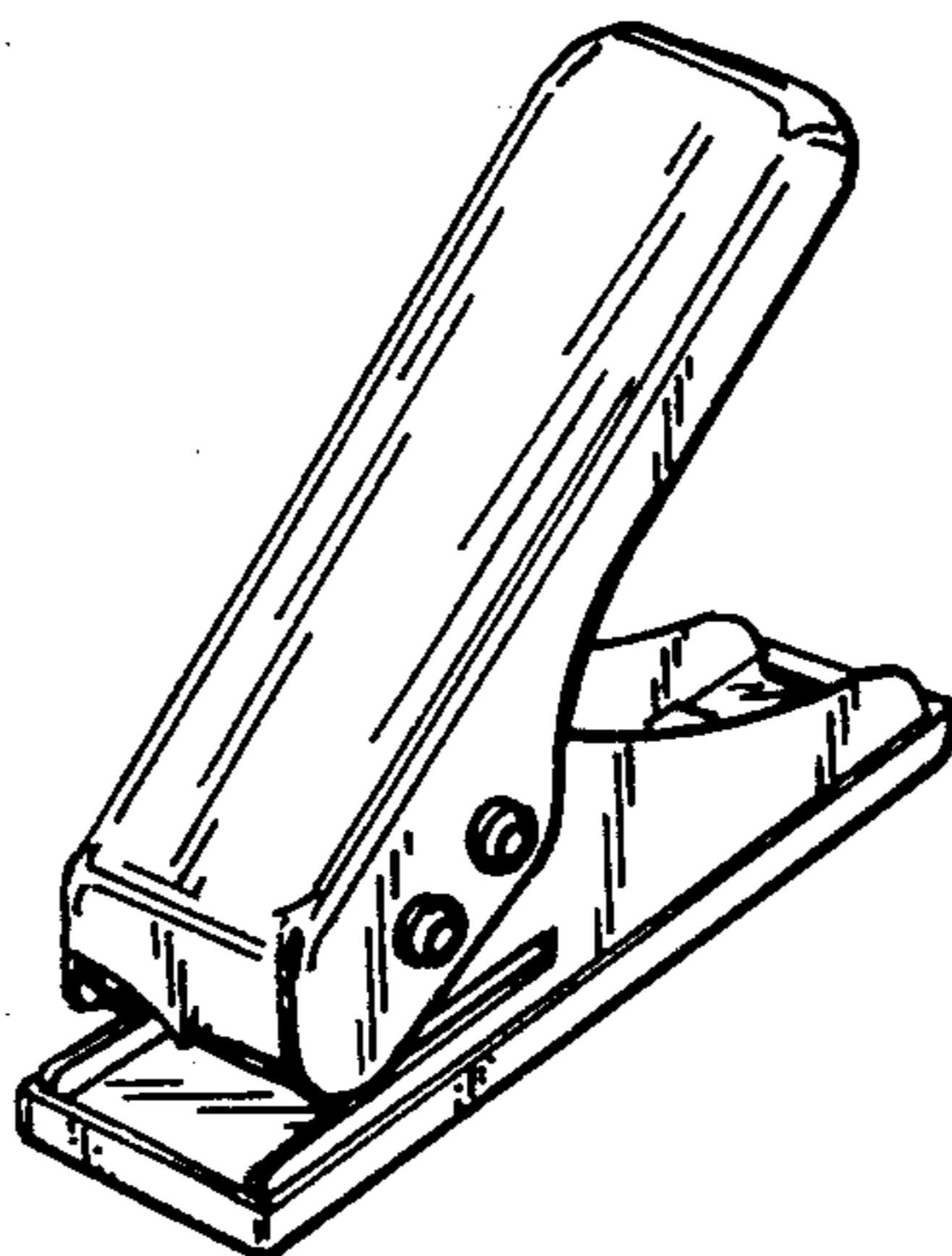
Primary Examiner—B. J. Bullock  
Attorney, Agent, or Firm—Bielen and Peterson

[57] CLAIM

The ornamental design for a diskette punch or similar article, substantially as shown.

DESCRIPTION

FIG. 1 is a top front perspective view of a diskette punch or similar article showing my new design;  
 FIG. 2 is a top rear perspective view;  
 FIG. 3 is an enlarged top plan view;  
 FIG. 4 is an enlarged front elevational view;  
 FIG. 5 is an enlarged right side elevational view;  
 FIG. 6 is an enlarged left side elevational view;  
 FIG. 7 is an enlarged rear elevational view;  
 FIG. 8 is an enlarged bottom plan view.



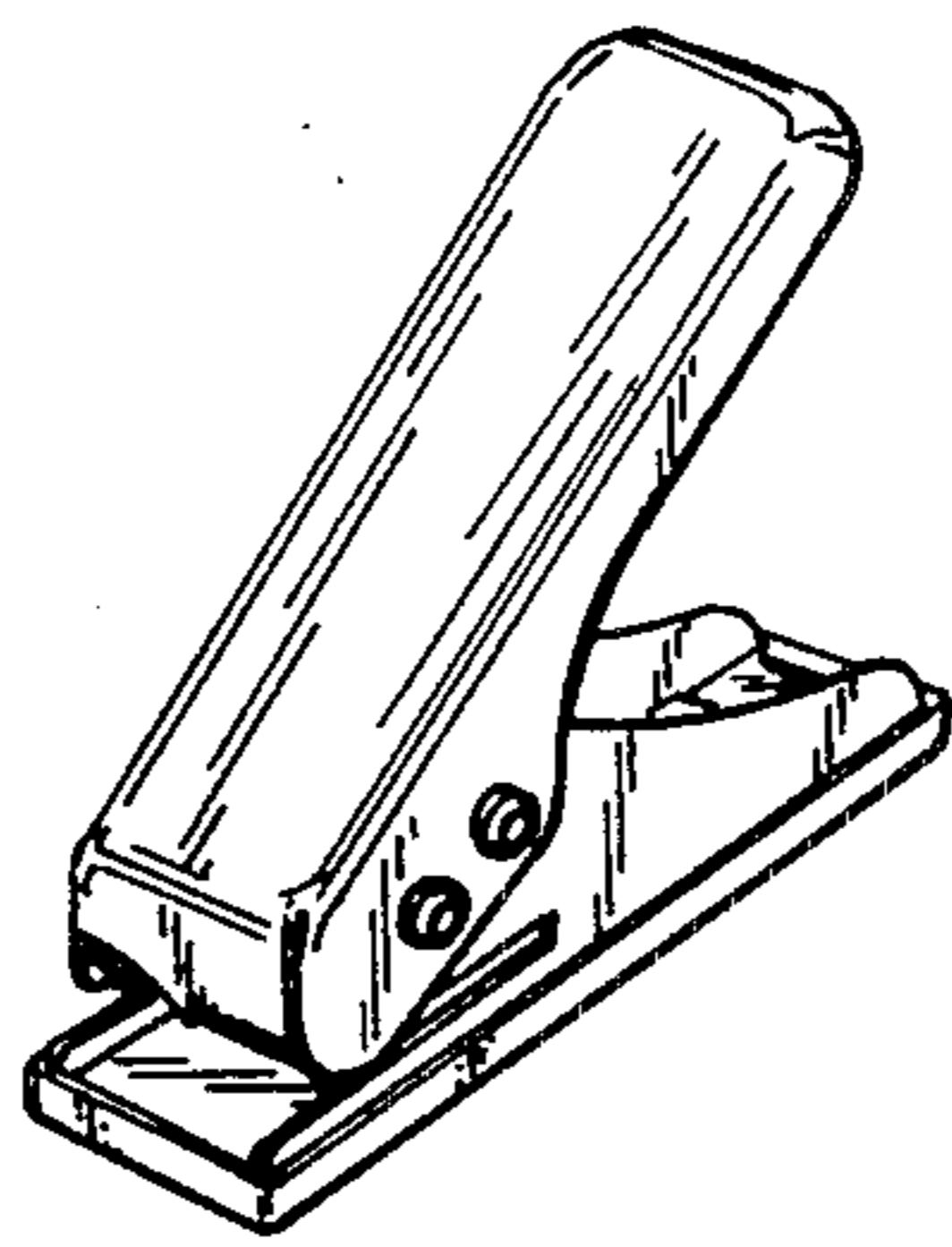


FIG. 1.

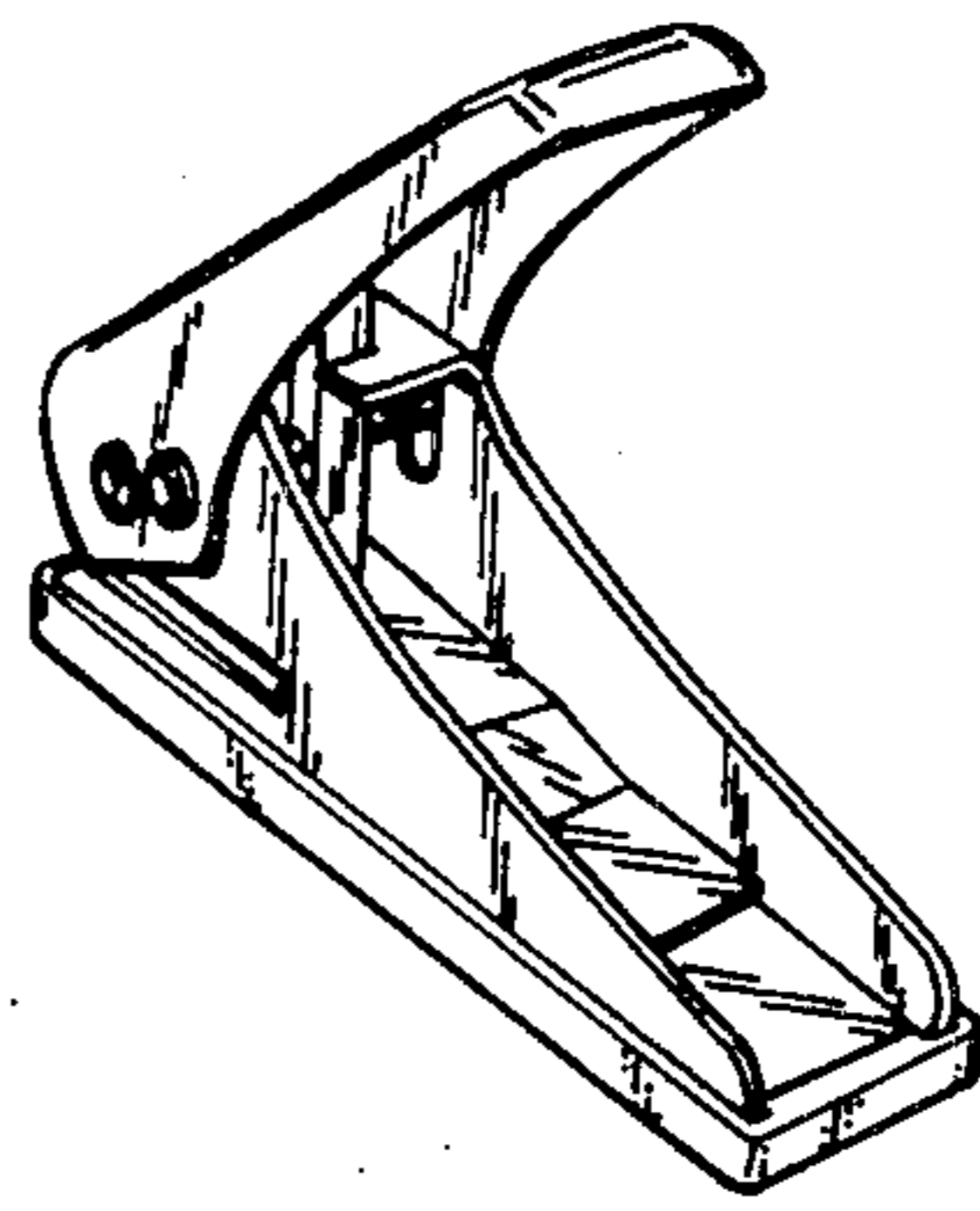


FIG. 2.

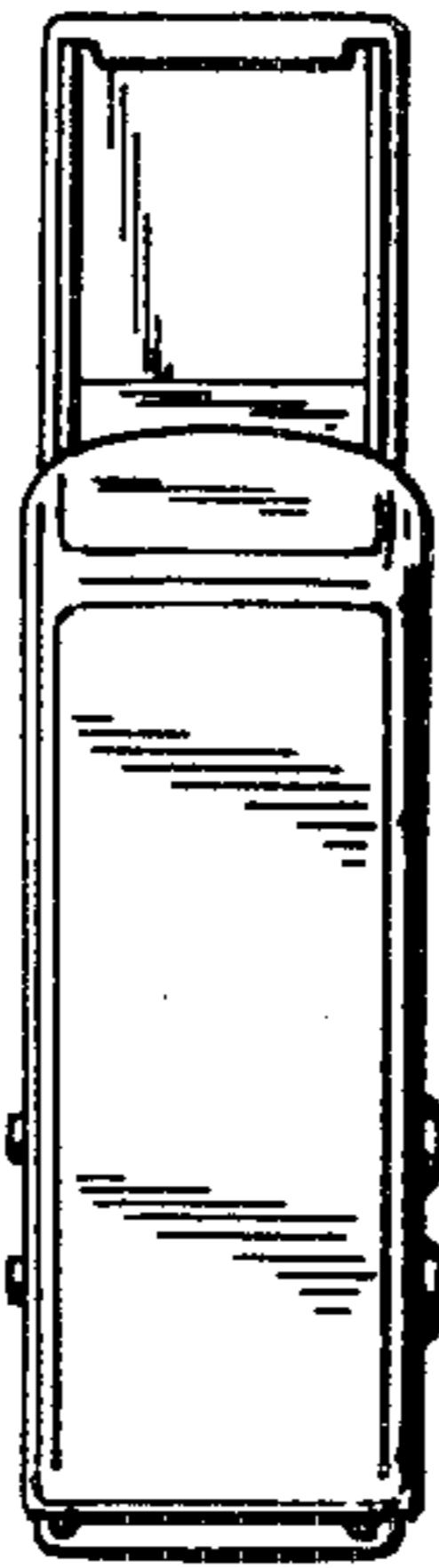


FIG. 3.

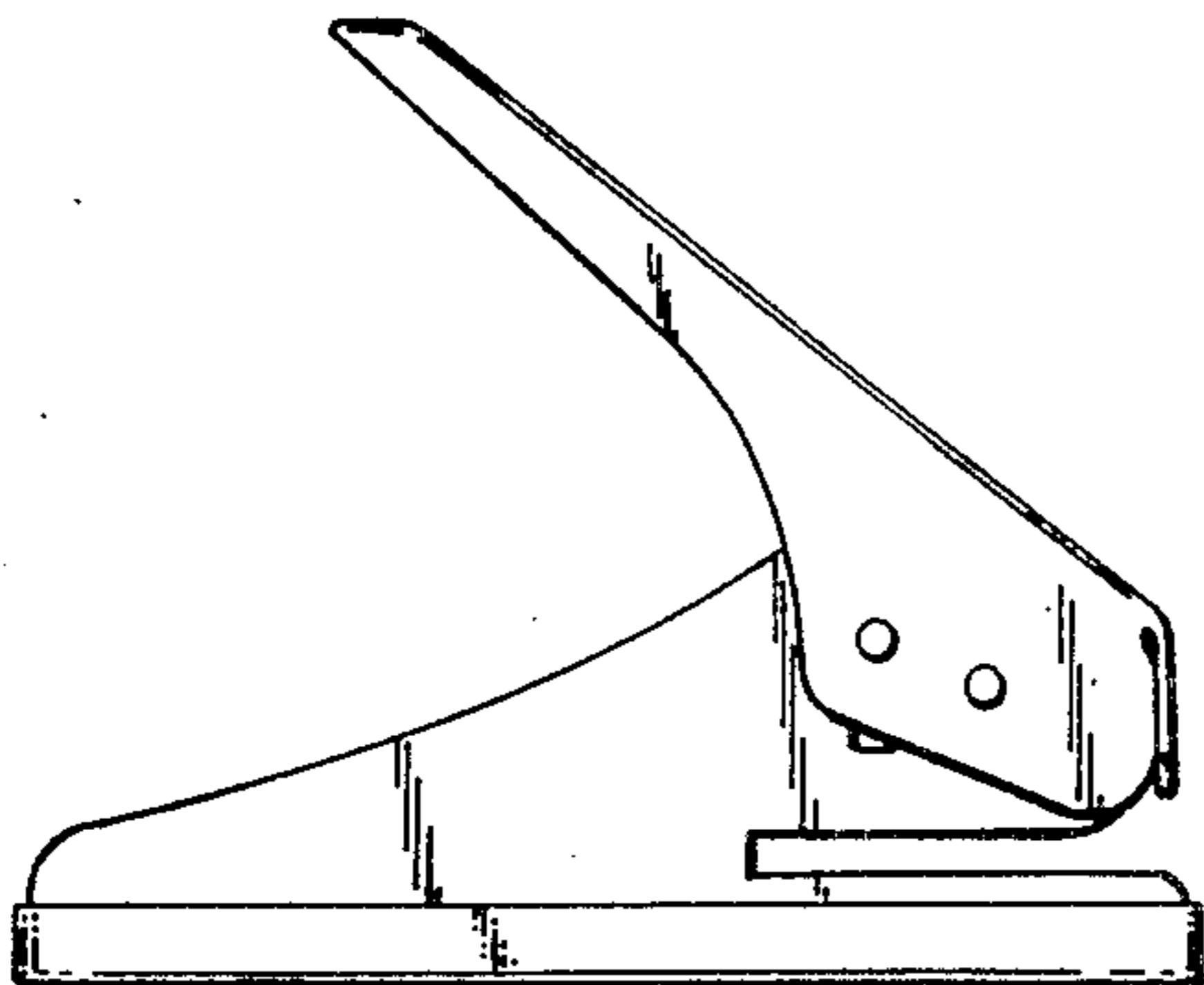


FIG. 6.

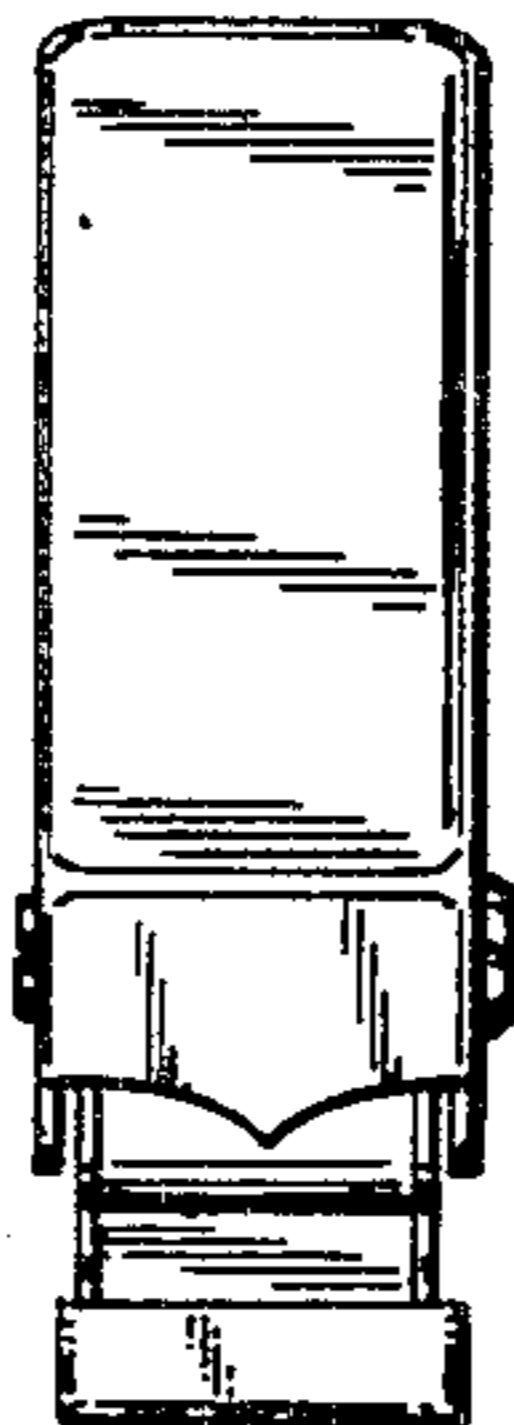


FIG. 4.

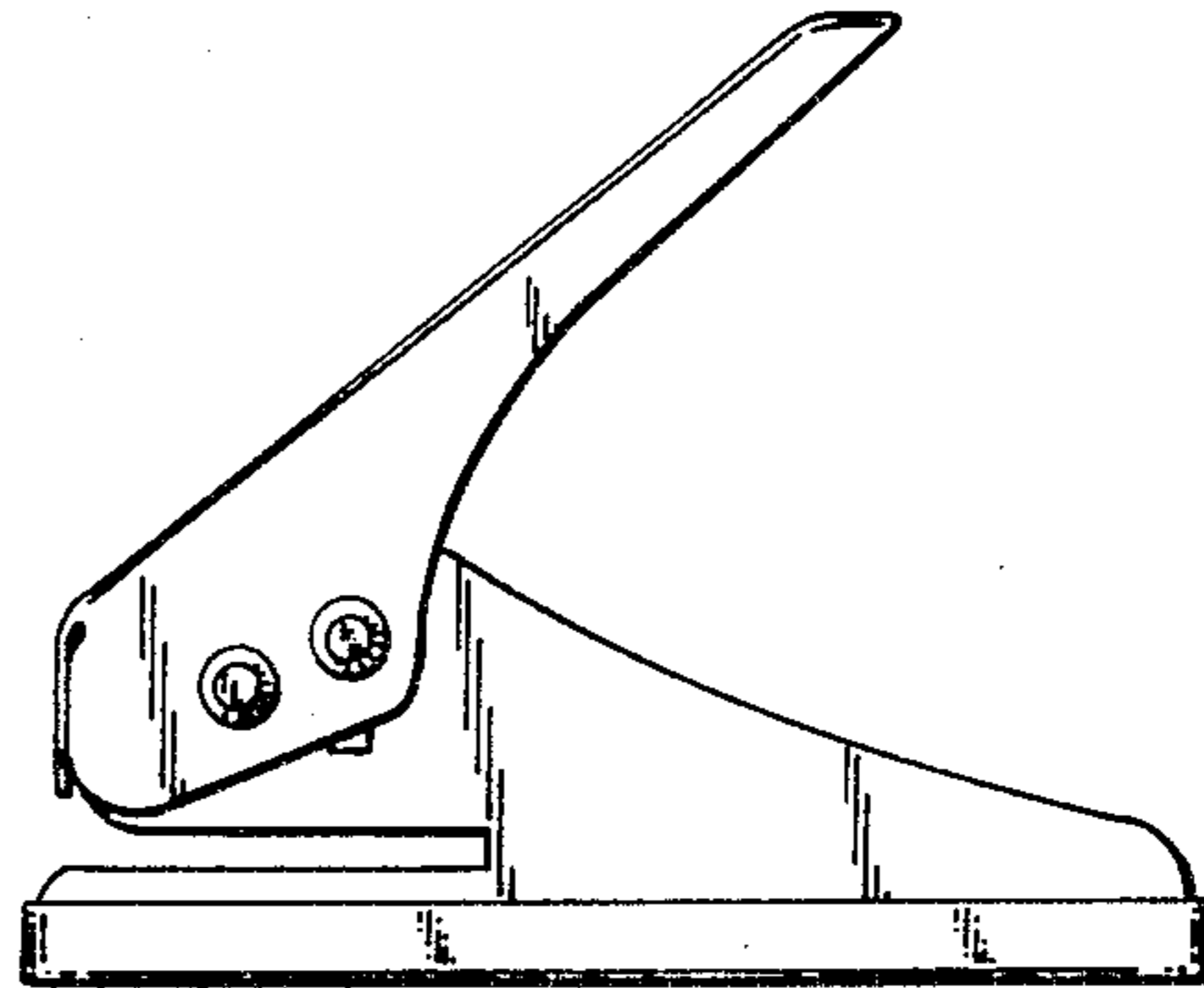


FIG. 5.

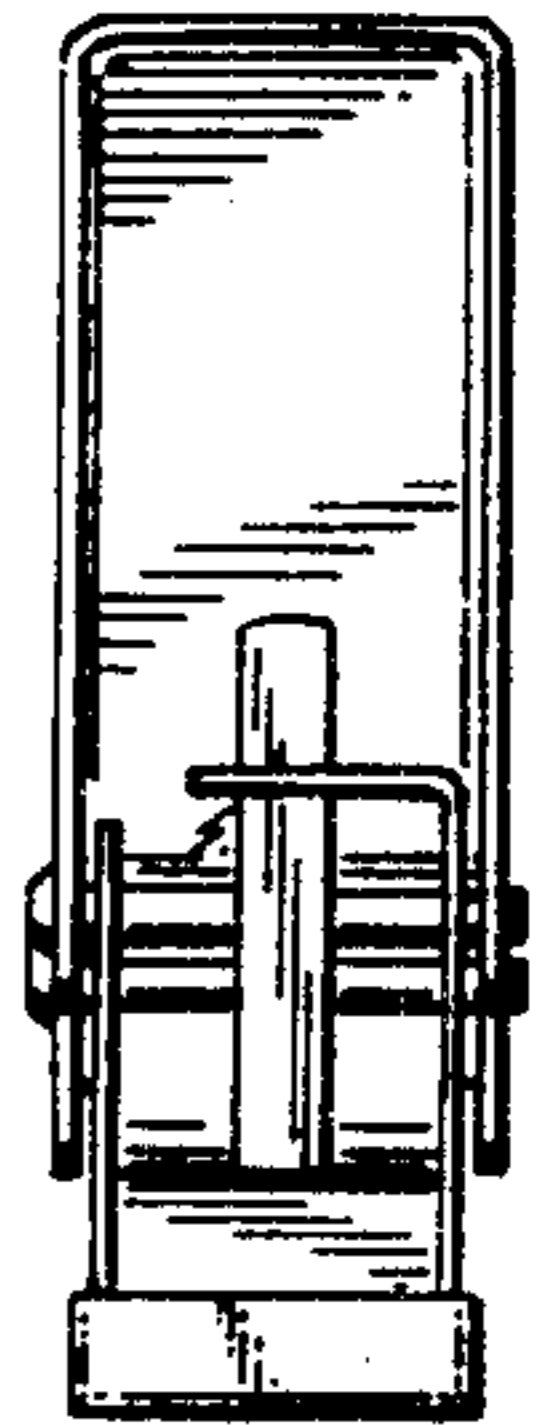


FIG. 7.

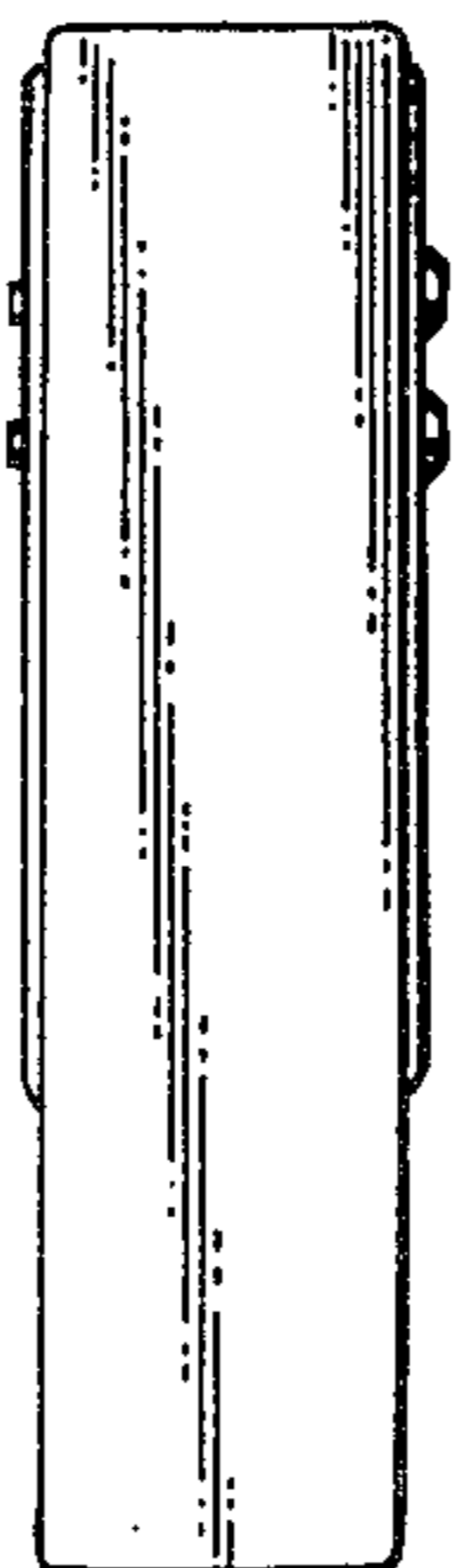


FIG. 8.