

[54] TRANSDUCER HOUSING FOR USE IN AUTOMATICALLY FILLING A BEVERAGE CUP

[75] Inventors: William F. Stembridge, College Park; James C. Sturrock, Atlanta; W. Frank Stembridge, III, East Point, all of Ga.

[73] Assignee: The Coca-Cola Company, Atlanta, Ga.

[\*\*] Term: 14 Years

[21] Appl. No.: 636,455

[22] Filed: Jul. 31, 1984

[52] U.S. Cl. .... D7/397; D10/46

[58] Field of Search ..... 141/198; D10/46, 103; D7/397, 398, 399

[56] References Cited

U.S. PATENT DOCUMENTS

- D. 230,423 2/1974 Lowrance ..... D10/103
- 4,261,397 4/1981 Guy ..... 141/198 X
- 4,437,497 3/1984 Enander ..... 141/198 X

- 4,440,200 4/1984 DeVale et al. .... 141/198 X
- 4,446,896 5/1984 Campagna ..... 141/198

Primary Examiner—Winifred E. Herrmann  
Attorney, Agent, or Firm—Thomas R. Boston

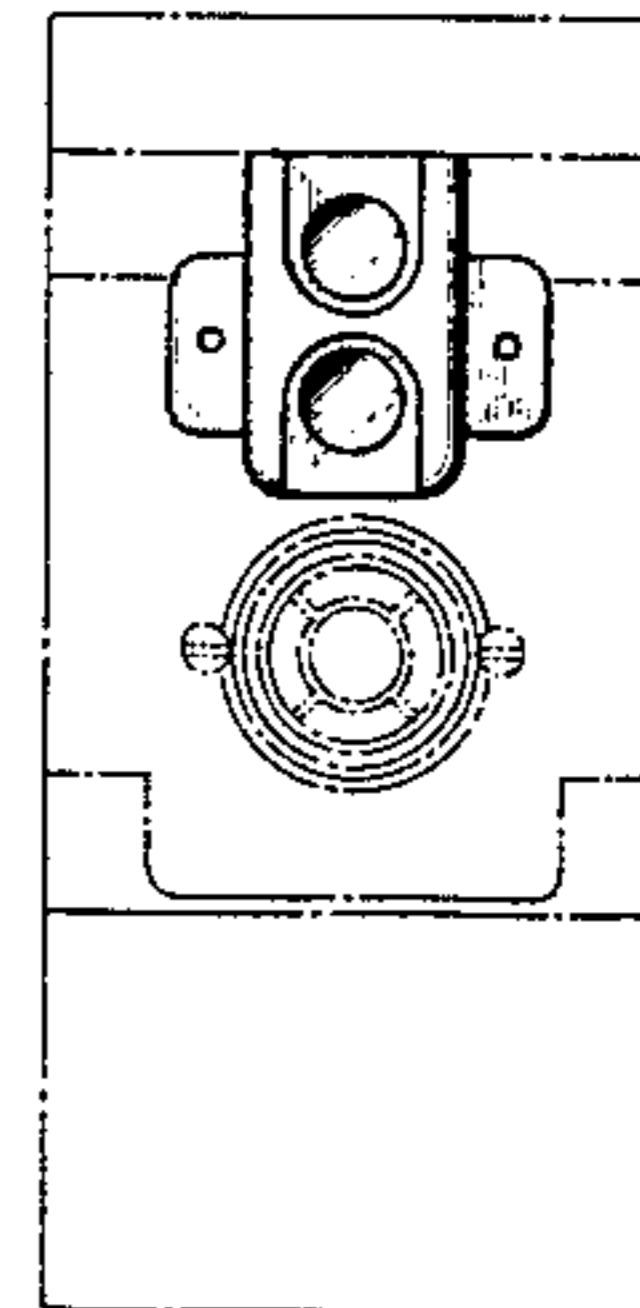
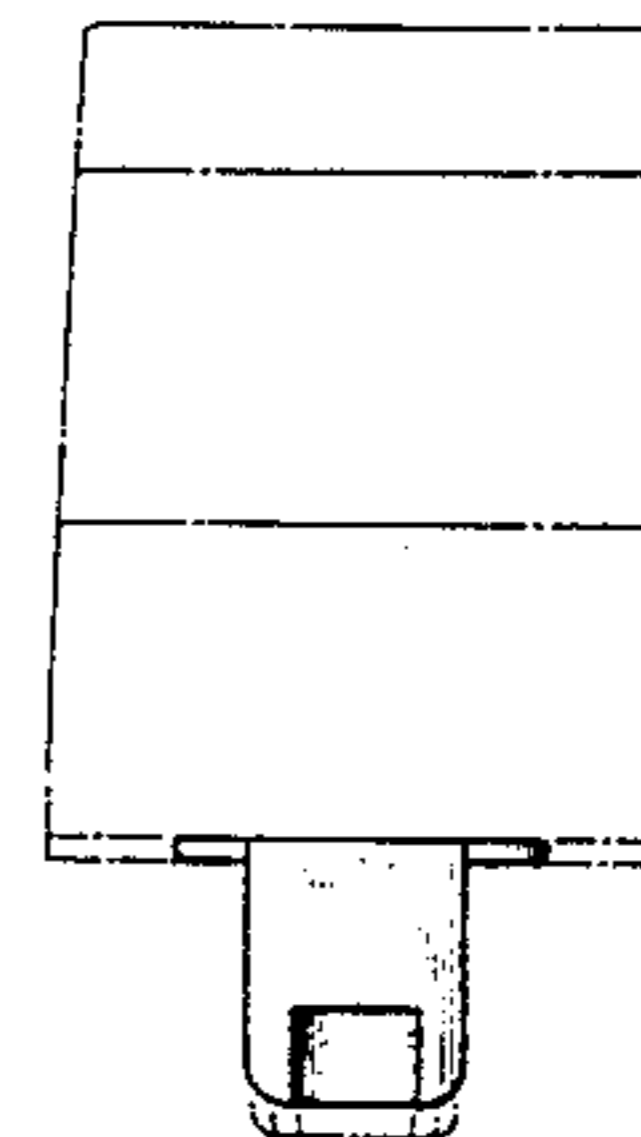
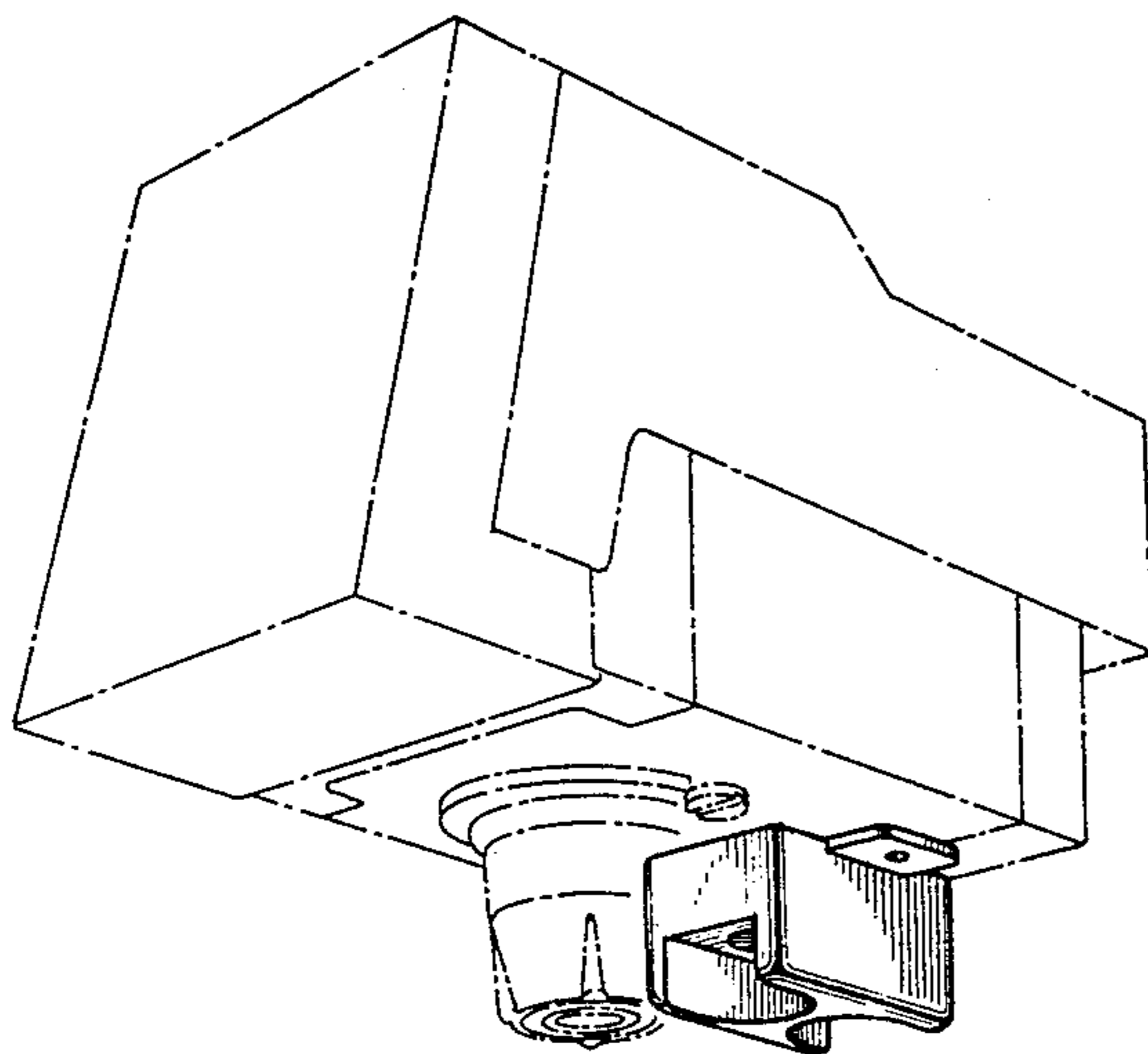
[57] CLAIM

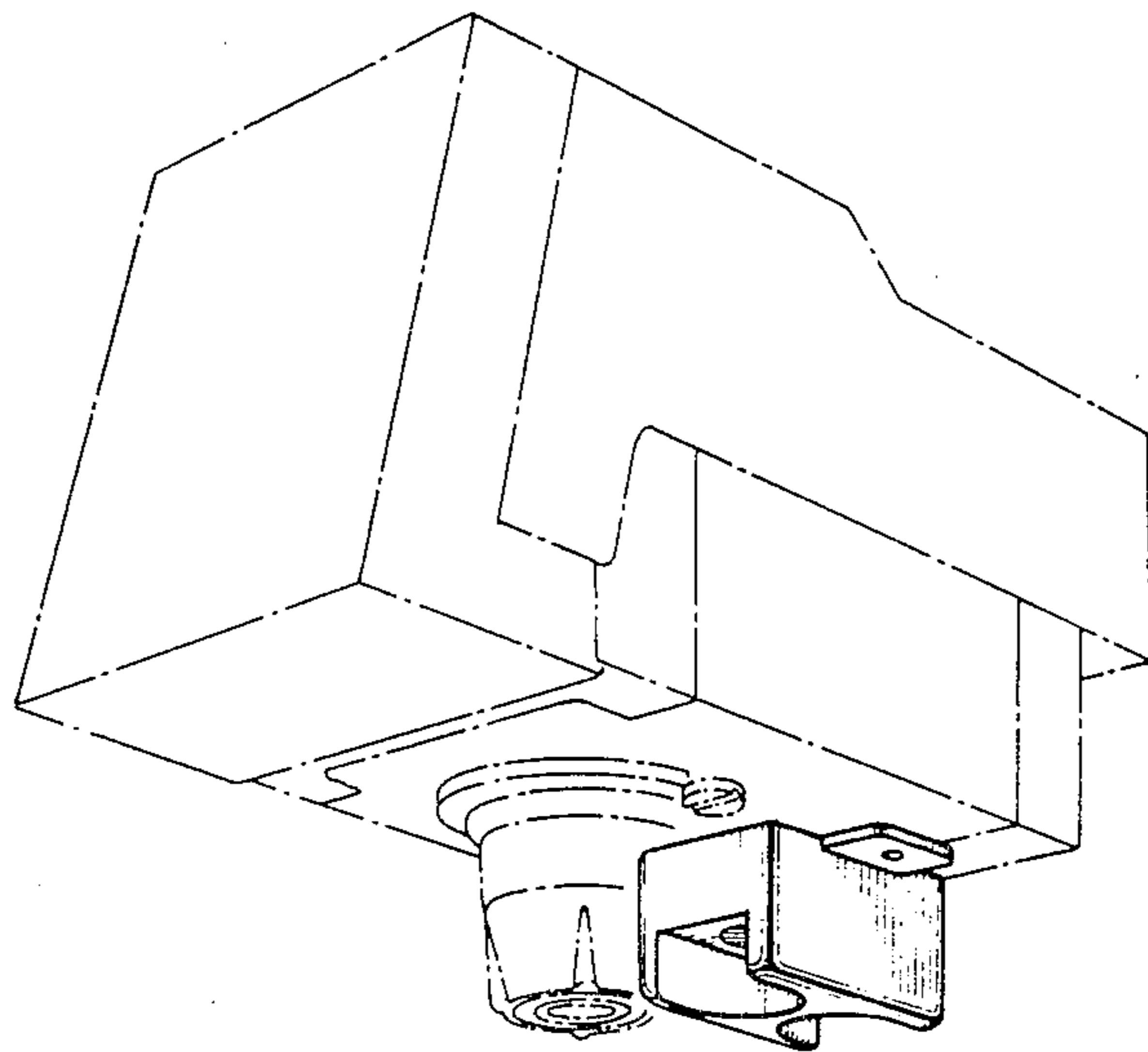
The ornamental design for a transducer housing for use in automatically filling a beverage cup, as shown and described.

DESCRIPTION

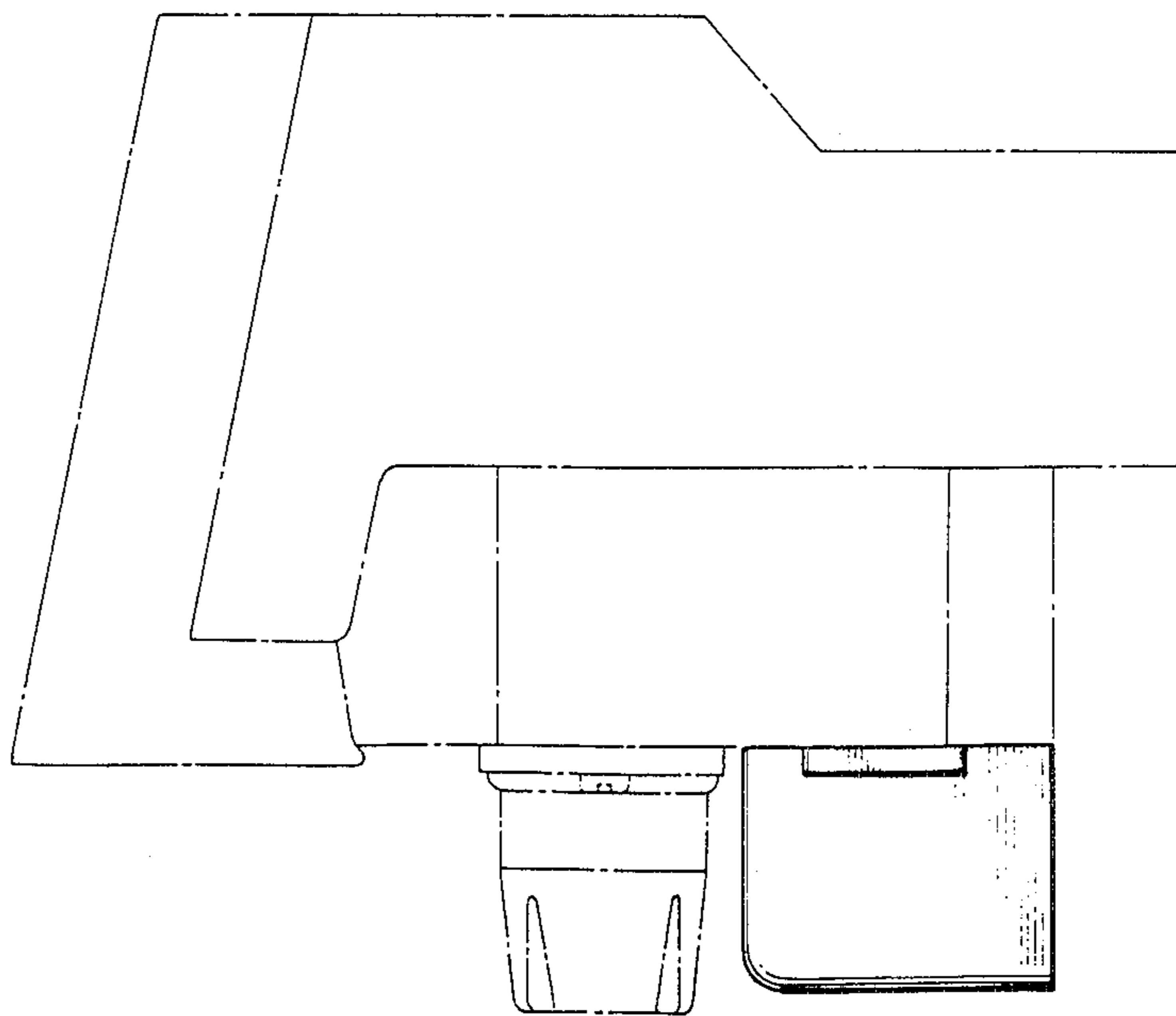
FIG. 1 is a bottom, front, and right side perspective view of a transducer housing for use in automatically filling a beverage cup showing our new design; FIG. 2 is a right side elevational view thereof; FIG. 3 is a front elevational view thereof; FIG. 4 is a rear elevational view thereof; FIG. 5 is a top plan view thereof; FIG. 6 is a bottom plan view thereof; and FIG. 7 is a left side elevational view thereof.

The broken line showing of the beverage dispenser valve assembly in FIGS. 1-7 is for illustrative purposes only and forms no part of the claimed design.

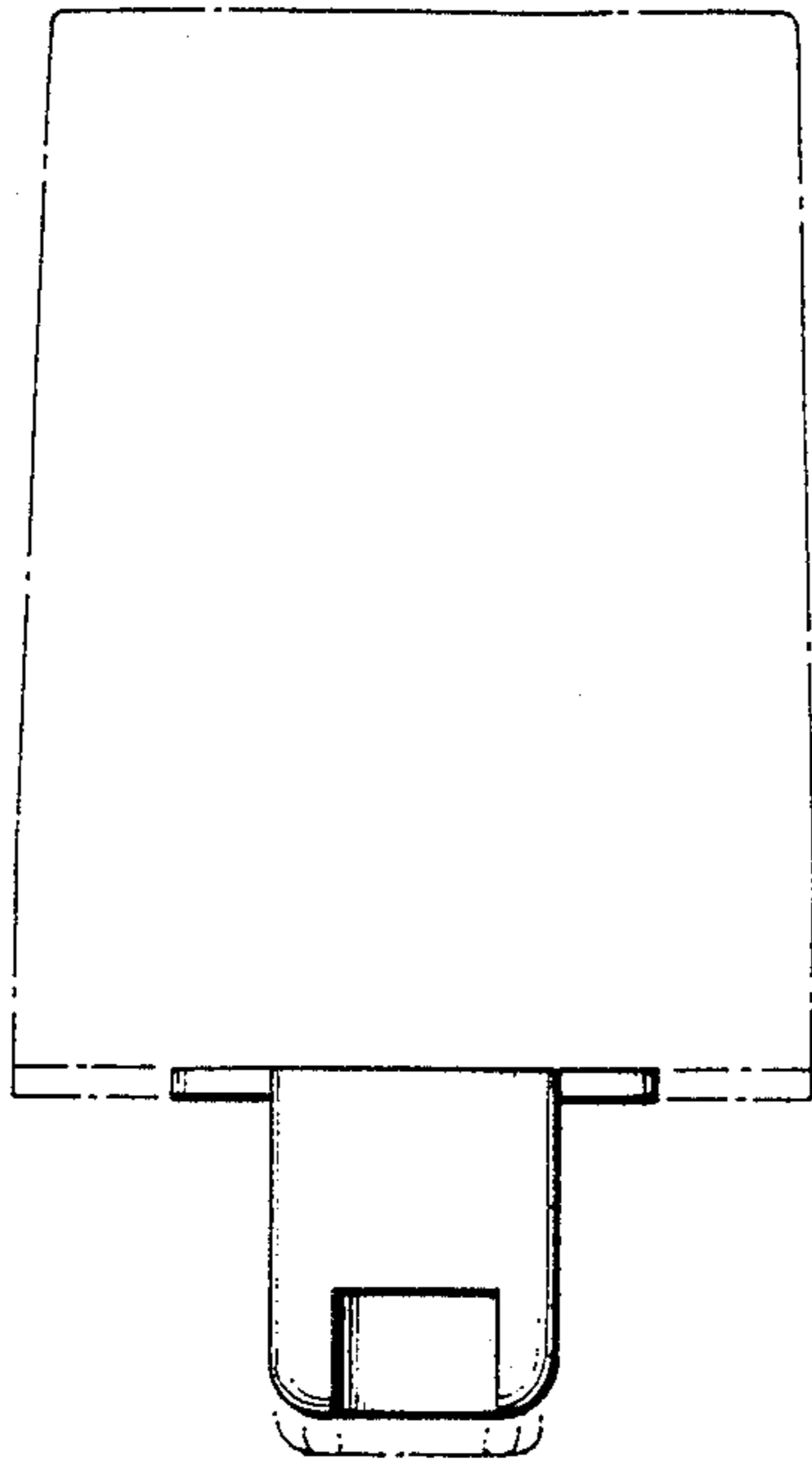




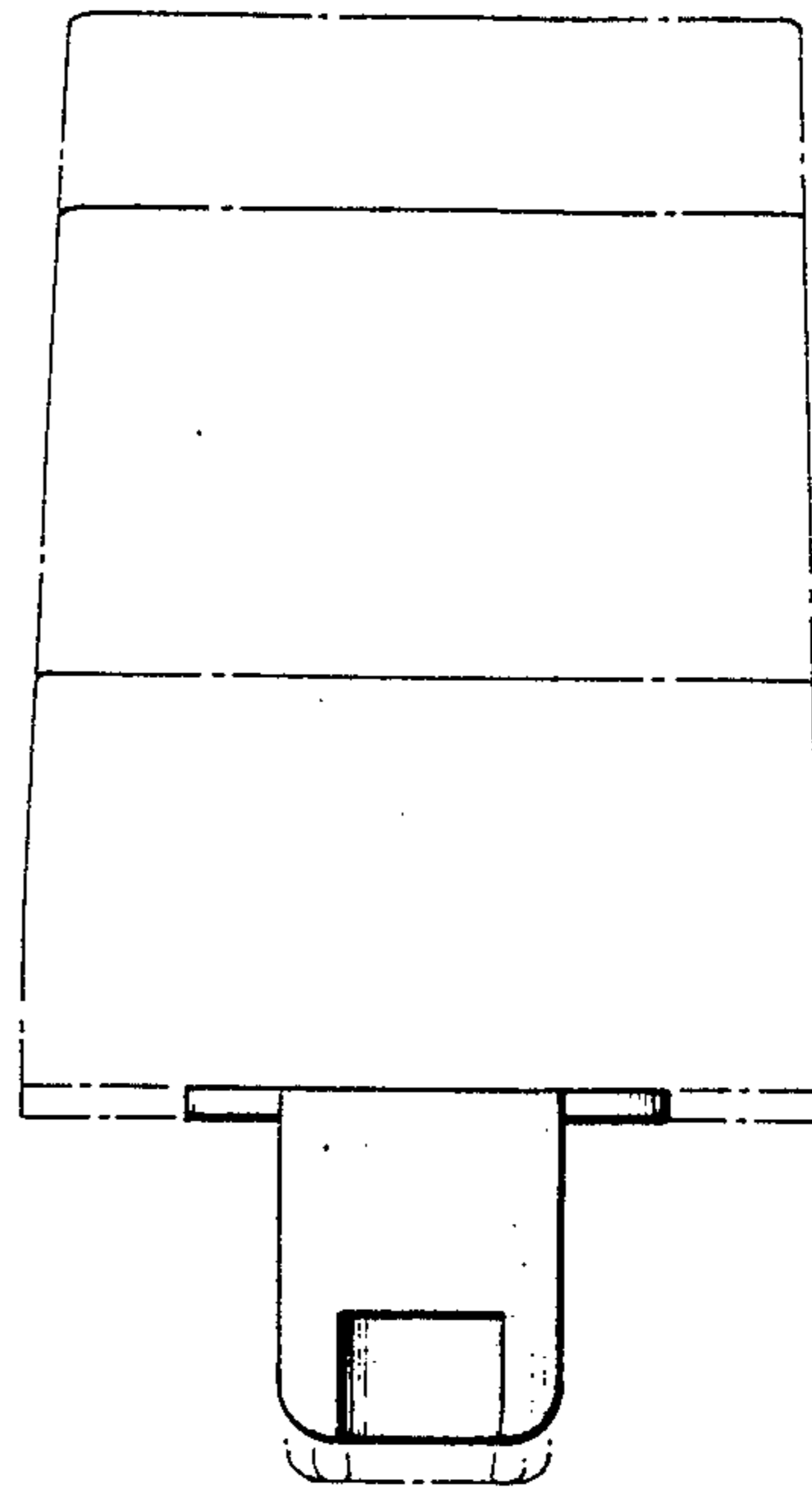
**FIG 1**



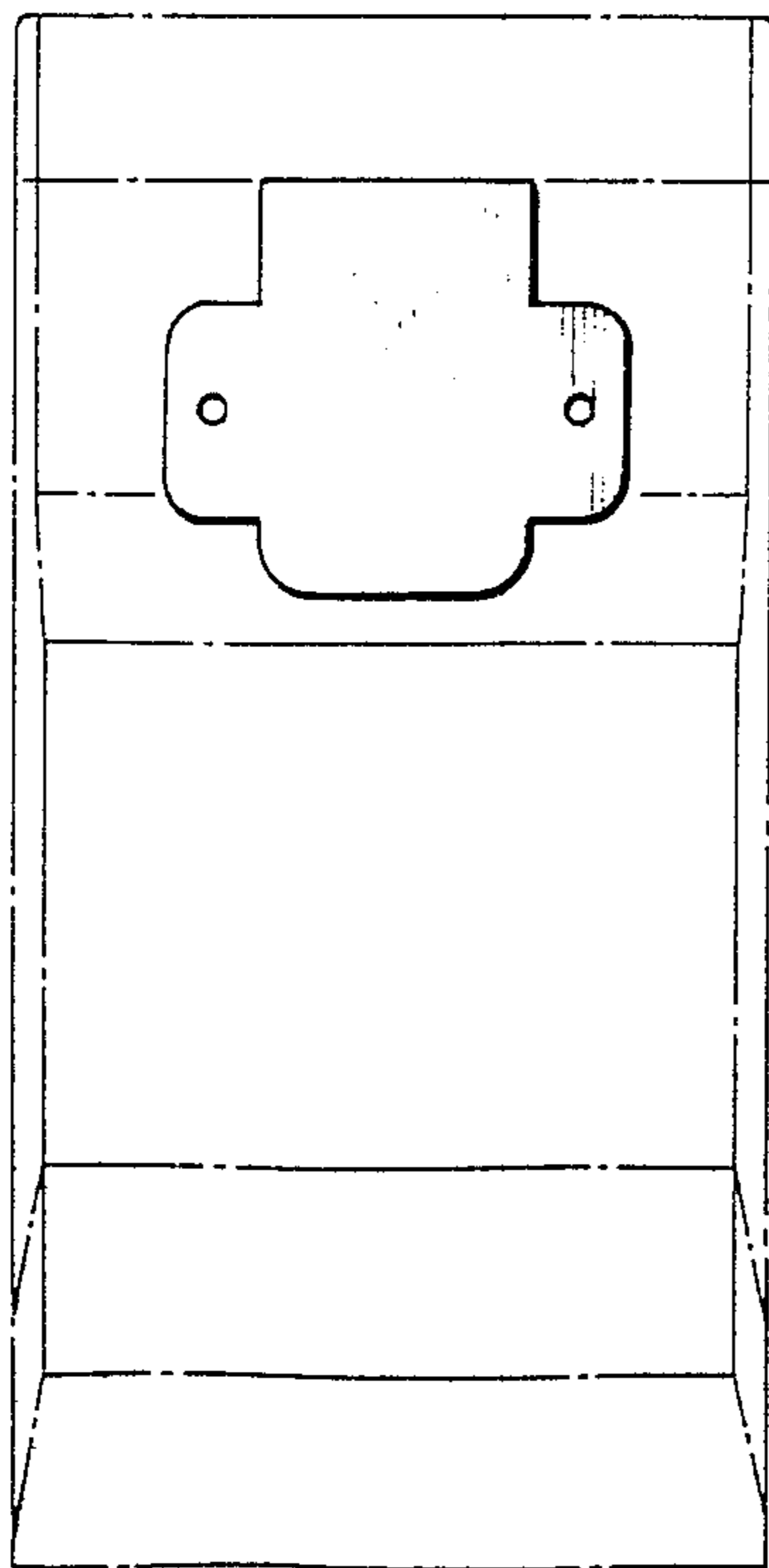
**FIG 2**



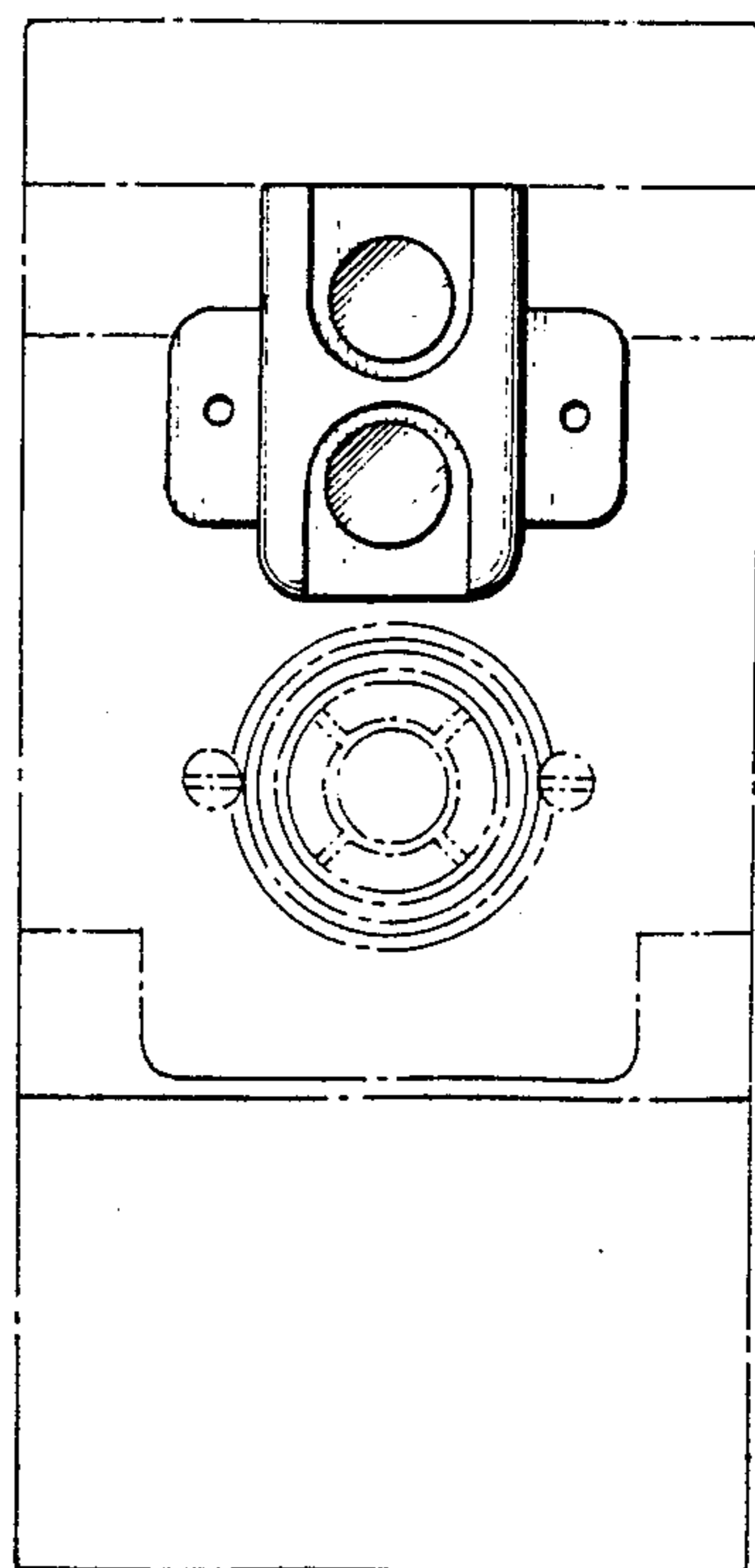
**FIG 3**



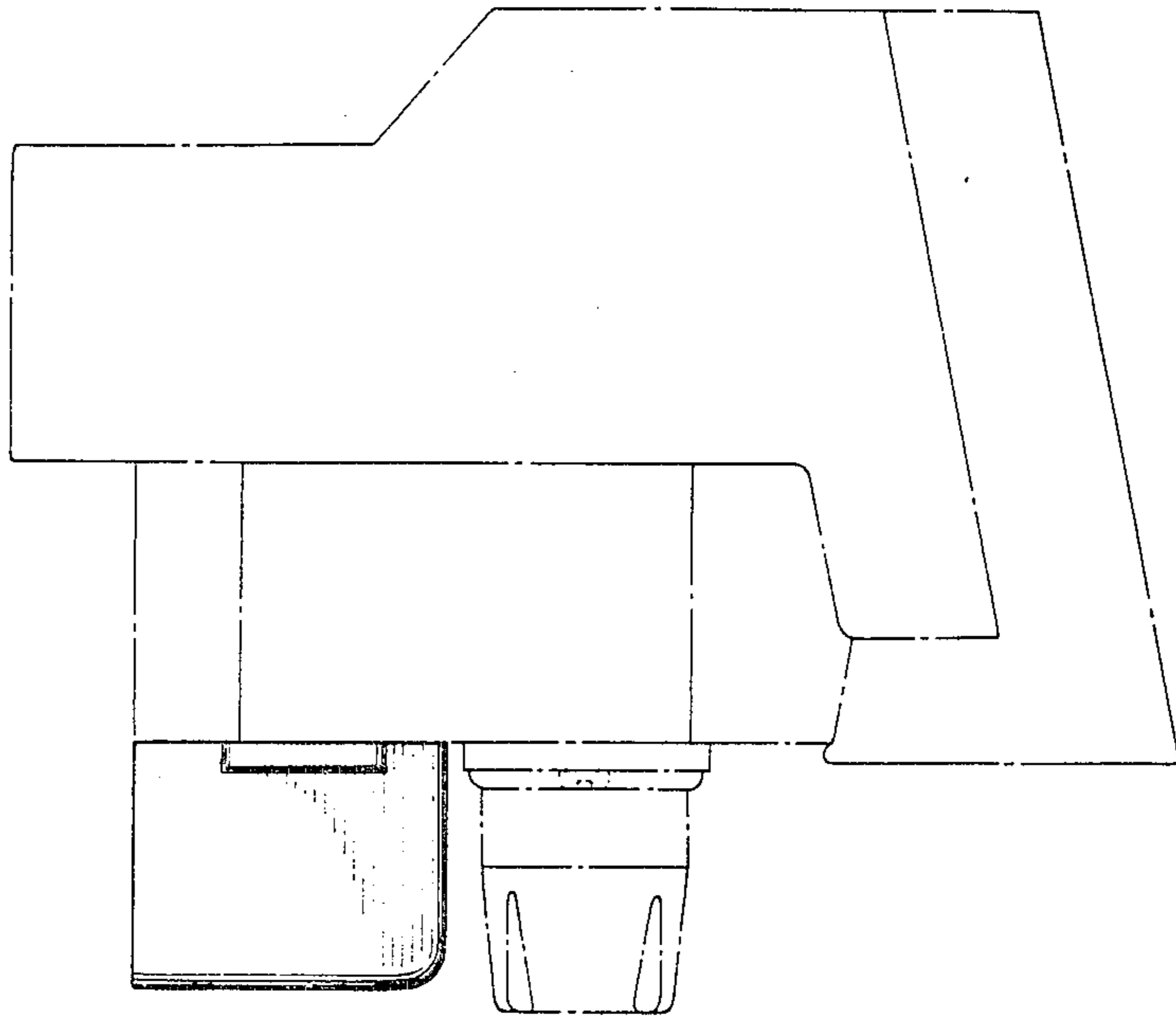
**FIG 4**



**FIG 5**



**FIG 6**



**FIG 7**