

[54] FILM WINDER FOR CAMERA
[75] Inventor: Takaharu Kato, Tokyo, Japan
[73] Assignee: Ricoh Company, Ltd., Tokyo, Japan
[**] Term: 14 Years
[21] Appl. No.: 714,173
[22] Filed: Mar. 20, 1985

D. 283,624 4/1986 Maitani D16/10
4,294,530 10/1981 Iwashita 354/173.11
4,367,937 1/1983 Mashimo 354/173.11

Primary Examiner—Nelson C. Holtje
Attorney, Agent, or Firm—Oblon, Fisher, Spivak,
McClelland & Maier

[30] Foreign Application Priority Data
Sep. 21, 1984 [JP] Japan 59-39271
[52] U.S. Cl. D16/10; D16/38
[58] Field of Search D16/10, 1-9,
D16/38; 354/170, 173.1, 173.11

[57] CLAIM

The ornamental design for film winder for camera, as shown.

DESCRIPTION

FIG. 1 is a front, top left side perspective view of a film winder for camera showing my new design;
FIG. 2 is a top plan view thereof;
FIG. 3 is a front elevational view thereof;
FIG. 4 is a left side elevational view thereof;
FIG. 5 is a right side elevational view thereof;
FIG. 6 is a rear elevational view thereof;
FIG. 7 is a bottom plan view thereof.

[56] References Cited
U.S. PATENT DOCUMENTS
D. 201,158 5/1965 Wessels D16/38
D. 246,372 11/1977 Yoshino D16/10

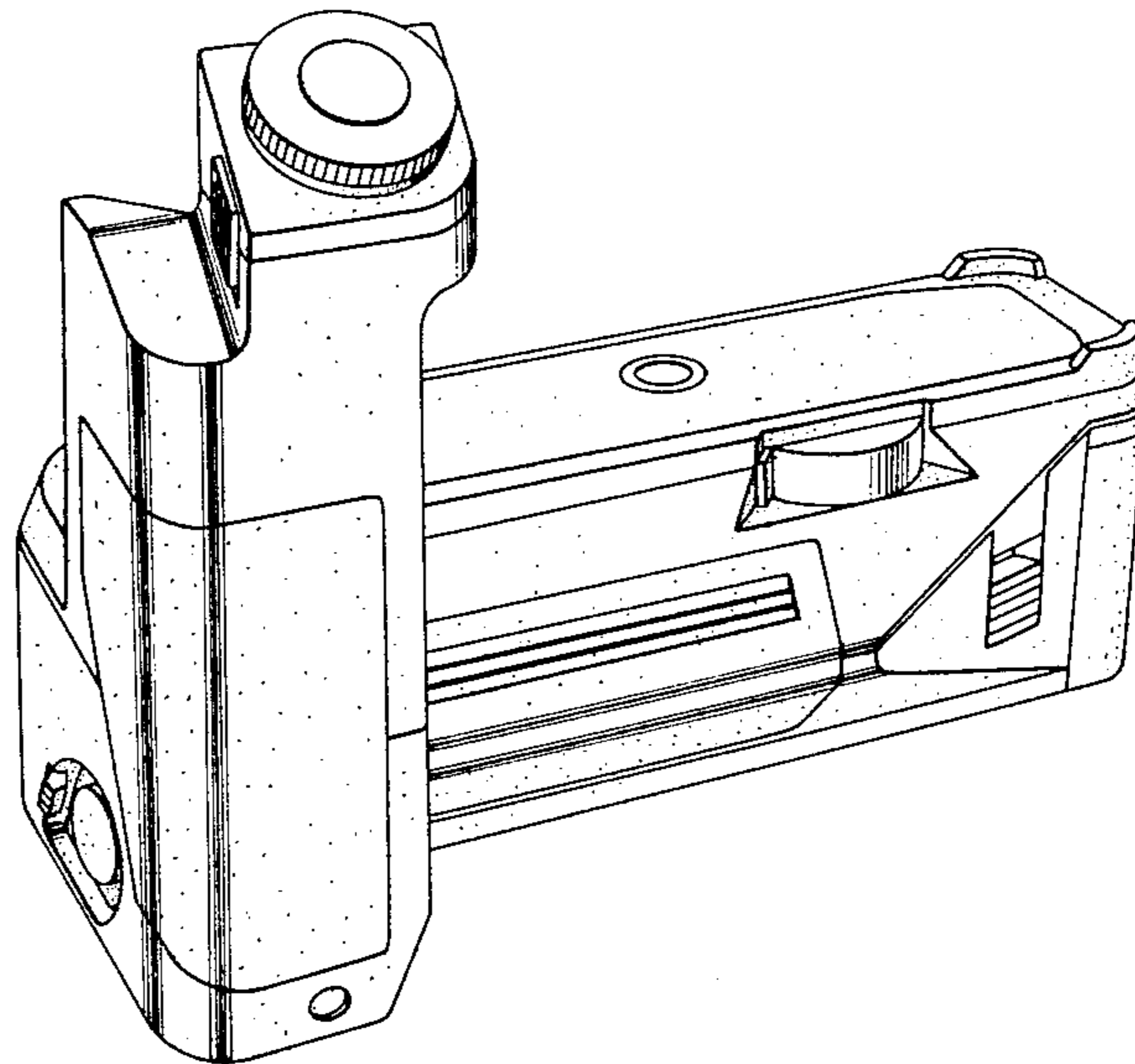


FIG. 1

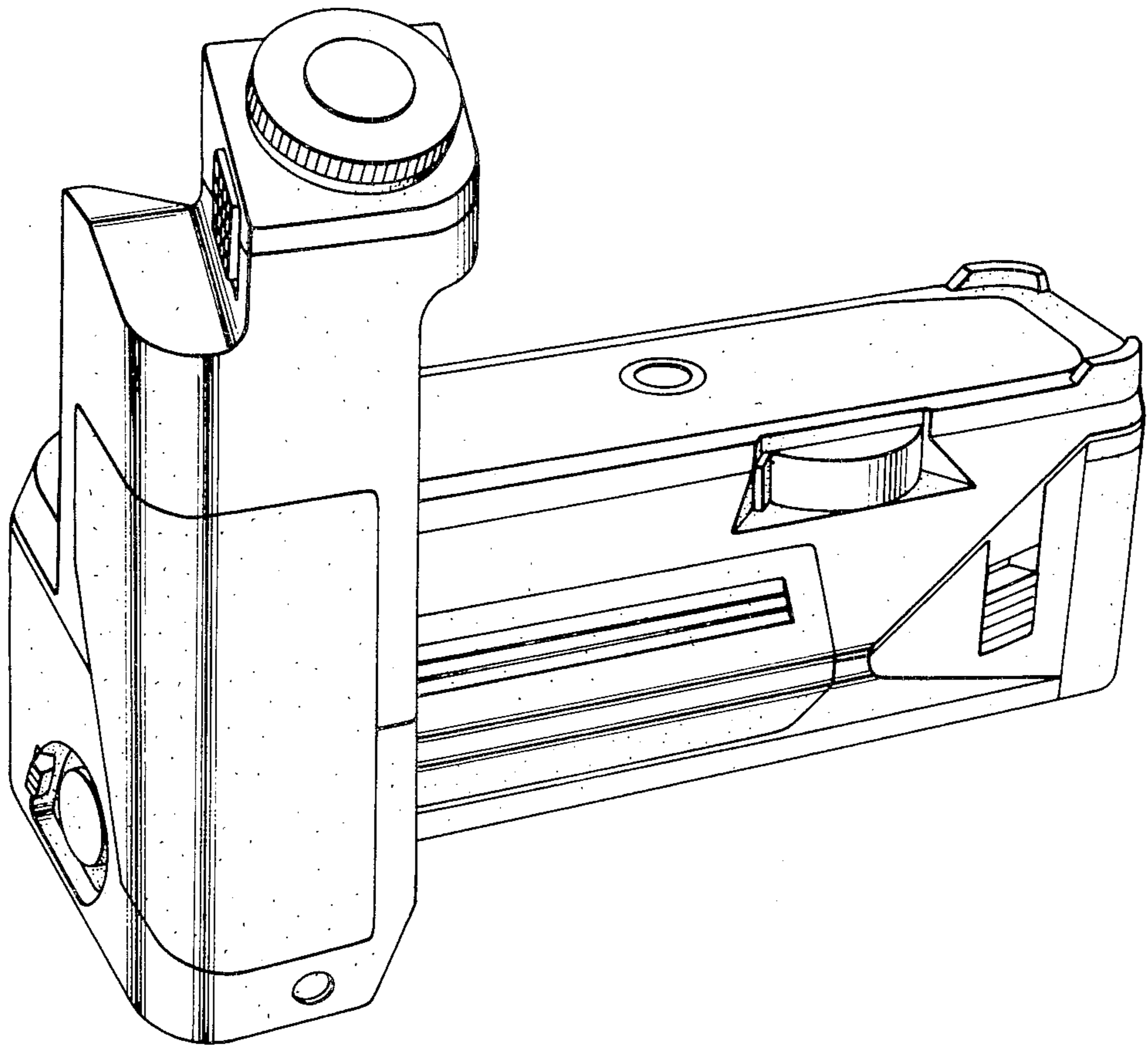


FIG. 2

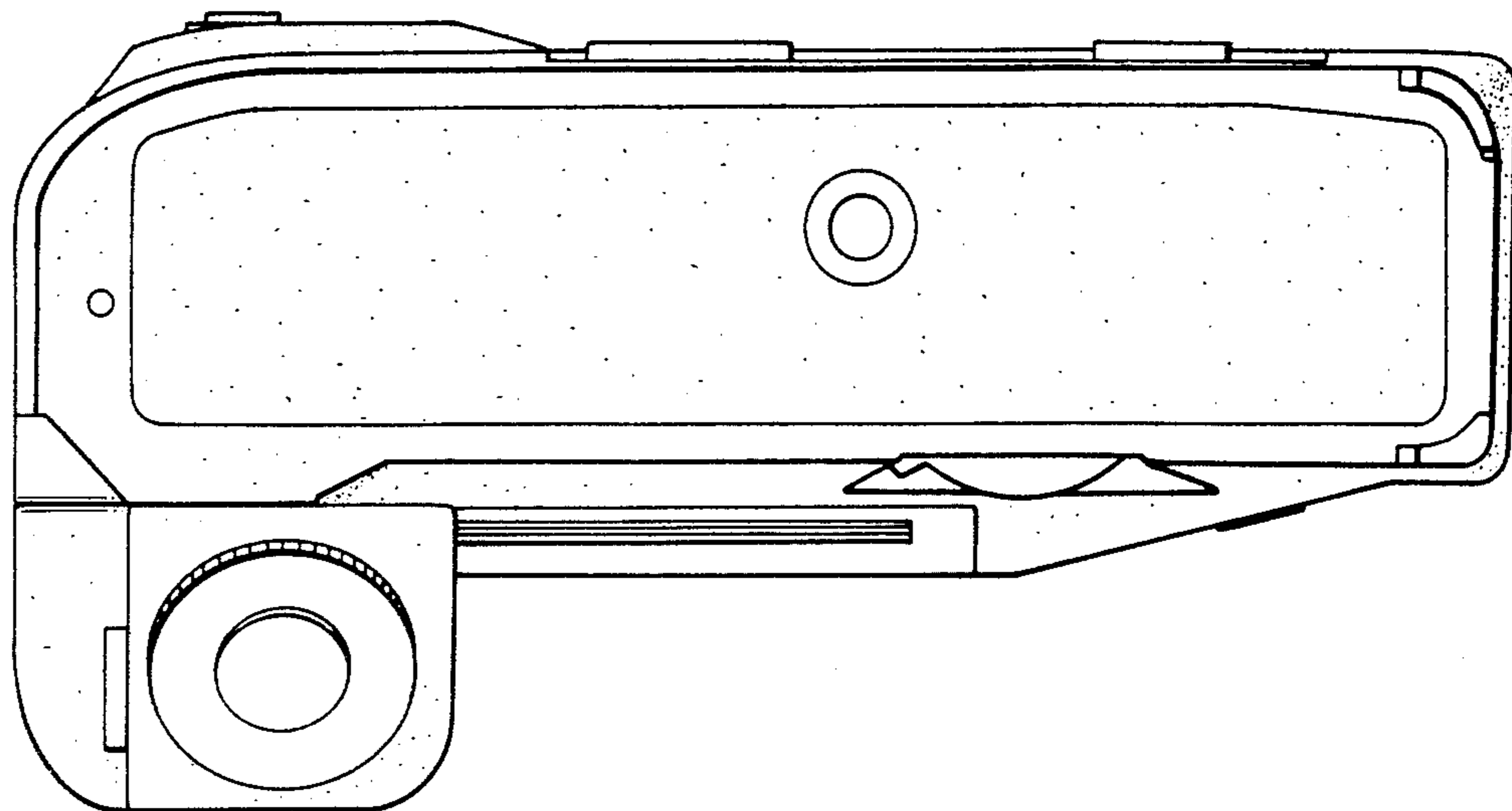


FIG. 3

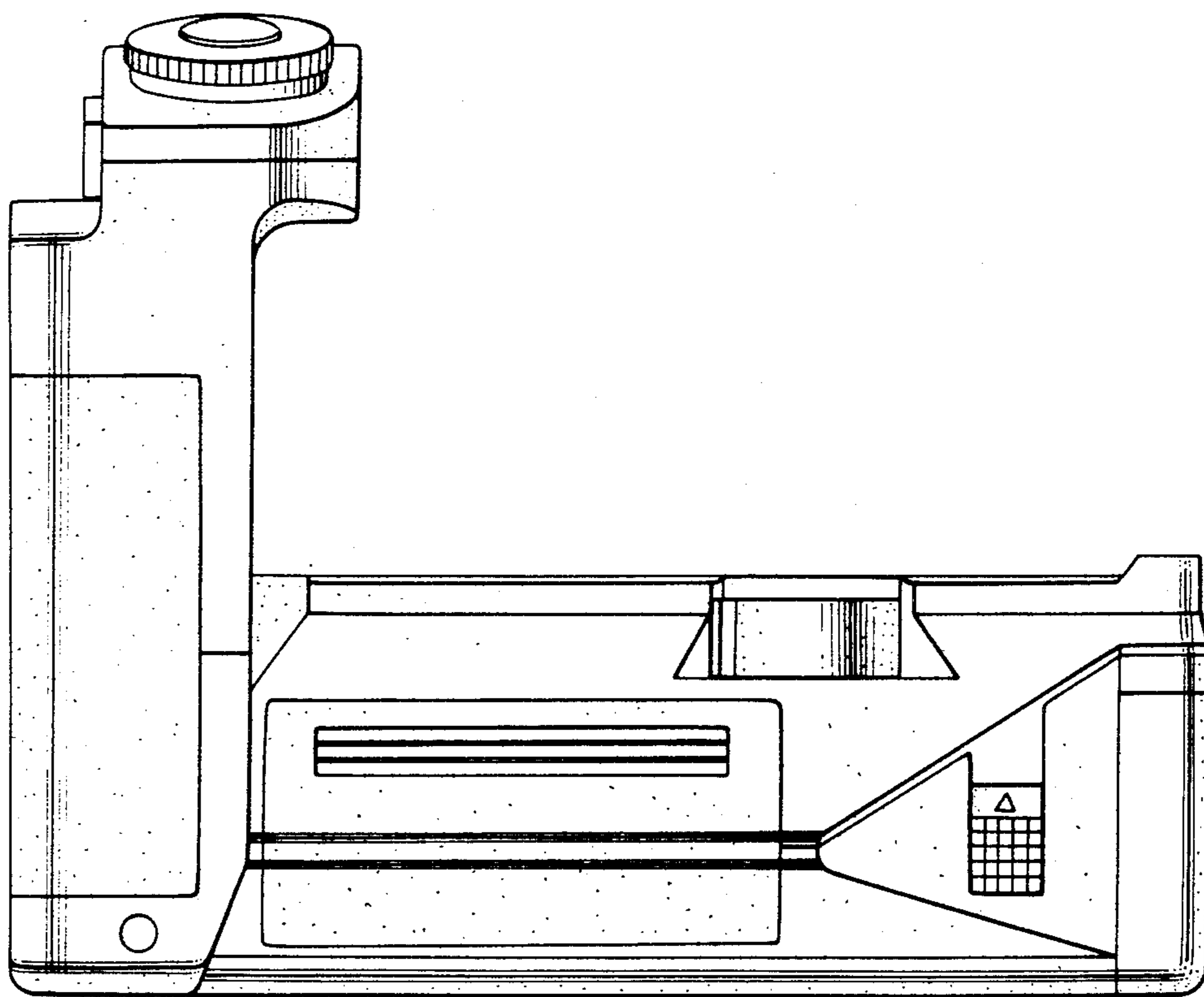


FIG. 4

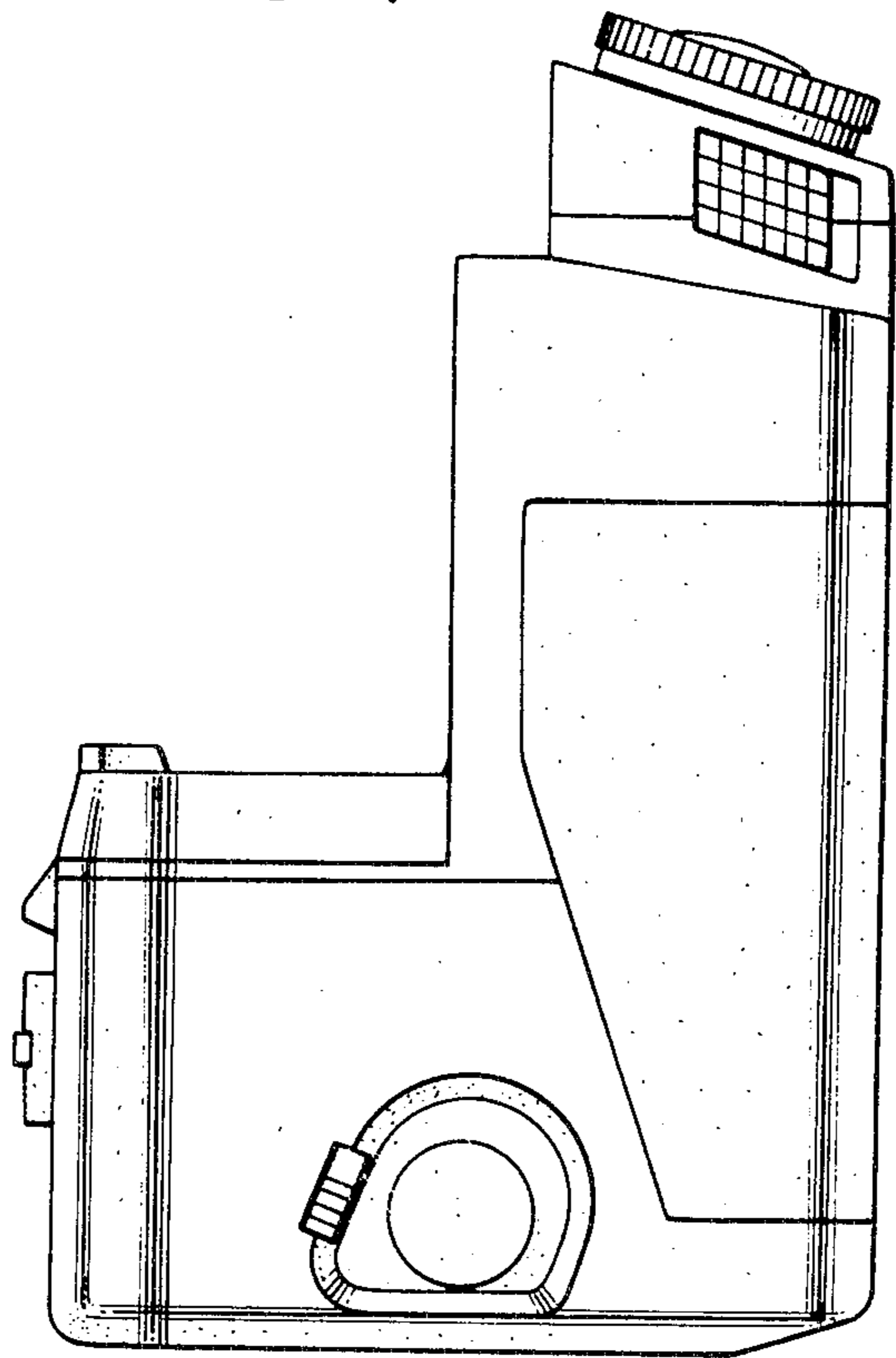


FIG. 5

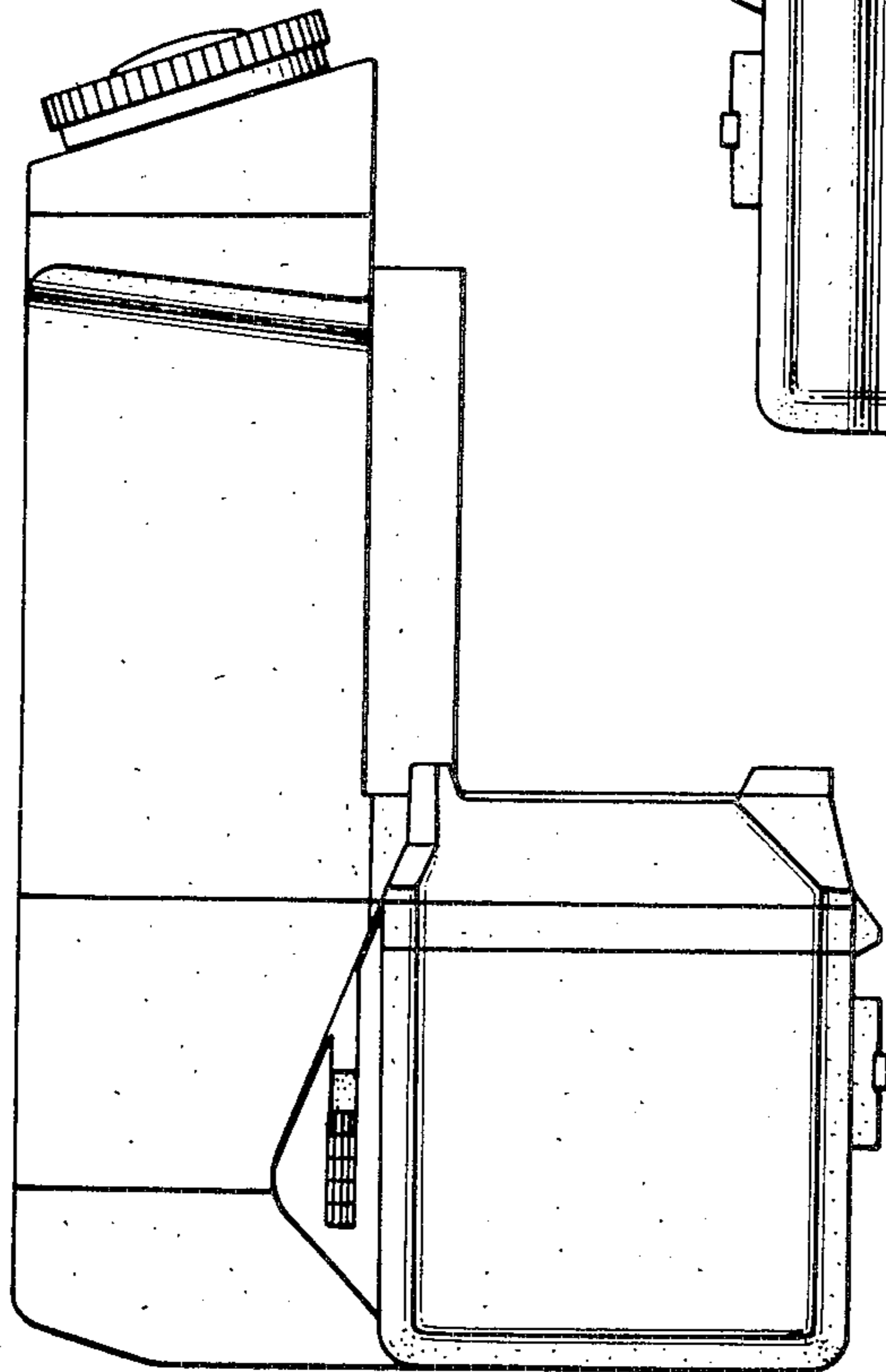


FIG. 6

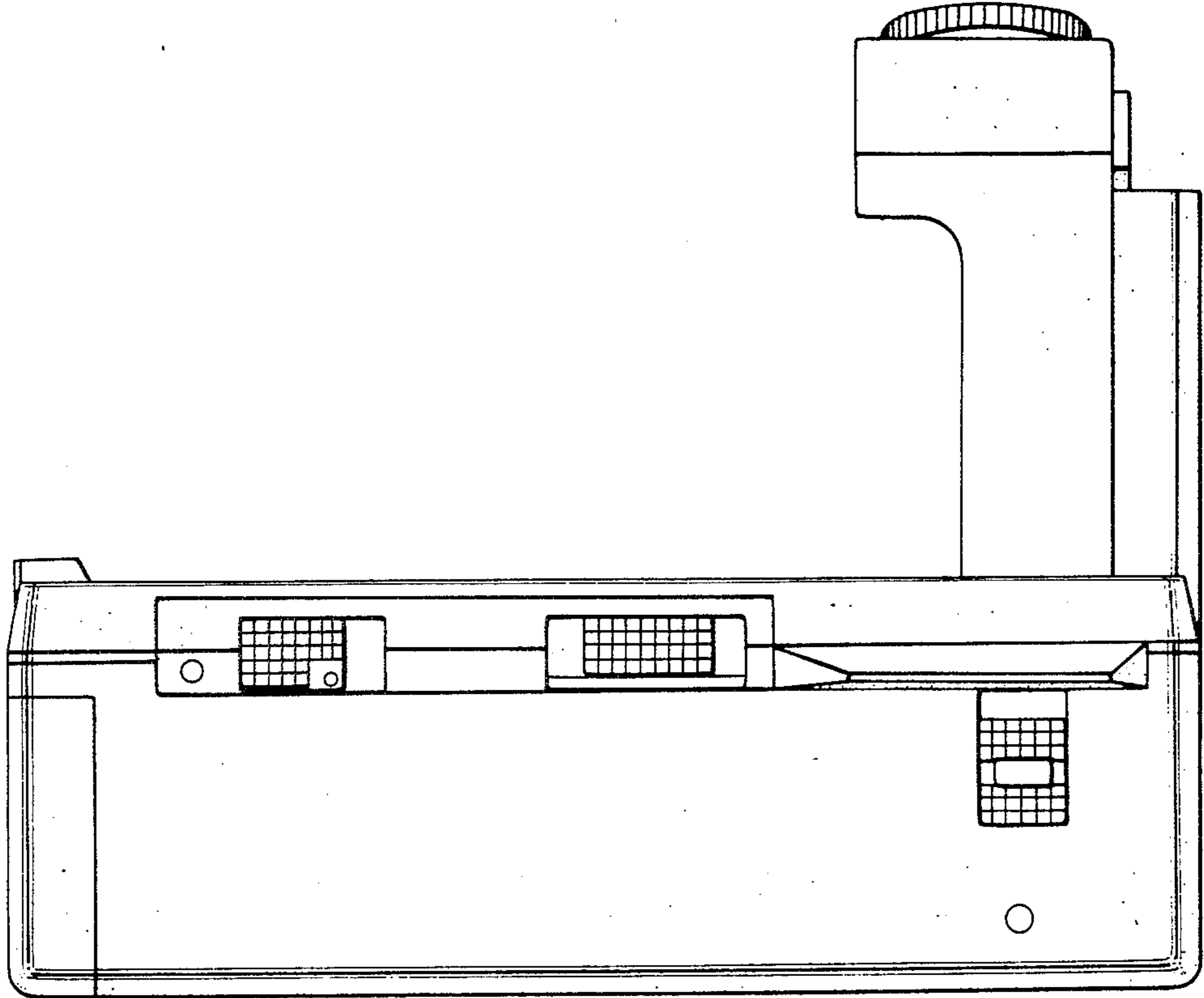


FIG. 7

