

United States Patent [19]

Yoneda

[11] Patent Number: **Des. 289,877**

[45] Date of Patent: **** May 19, 1987**

[54] SEWING MACHINE

[75] Inventor: **Yoshihide Yoneda, Osaka, Japan**

[73] Assignee: **Maruzen Sewing Machine Co., Ltd.,
Osaka, Japan**

[**] Term: **14 Years**

[21] Appl. No.: **629,553**

[22] Filed: **Jul. 10, 1984**

[30] Foreign Application Priority Data

Mar. 23, 1984 [JP] Japan 59-11394

Mar. 23, 1984 [JP] Japan 59-11395

[52] U.S. Cl. **D15/69; D15/70**

[58] Field of Search **D15/68-70;
112/63, 258-261**

[56] References Cited

U.S. PATENT DOCUMENTS

D. 250,649 12/1978 Hirano D15/70

D. 253,347 11/1979 Felix D15/70

D. 283,029 3/1986 David D15/69

3,552,340 1/1971 Fresard 112/258

4,055,131 10/1977 O'Brien et al. 112/258 X

4,211,178 7/1980 Peterson 112/258

4,220,103 9/1980 Kasahara et al. 112/260

4,434,736 3/1984 Szostak et al. 112/258

Primary Examiner—Bernard Ansher

Assistant Examiner—Linda Titolo

Attorney, Agent, or Firm—Lowe, Price, LeBlanc,
Becker & Shur

[57] **CLAIM**

The ornamental design for a sewing machine, as shown and described.

DESCRIPTION

FIG. 1 is a top plan view of a sewing machine, showing my new design;

FIG. 2 is a front elevational view thereof;

FIG. 3 is a bottom plan view thereof;

FIG. 4 is a rear elevational view thereof;

FIG. 5 is a left side elevational view thereof;

FIG. 6 is a right side elevational view thereof;

FIG. 7 is a front perspective view thereof; and

FIG. 8 is a rear perspective view thereof, with the handle member in an upright position, and with the spool holder member in a retracted position.

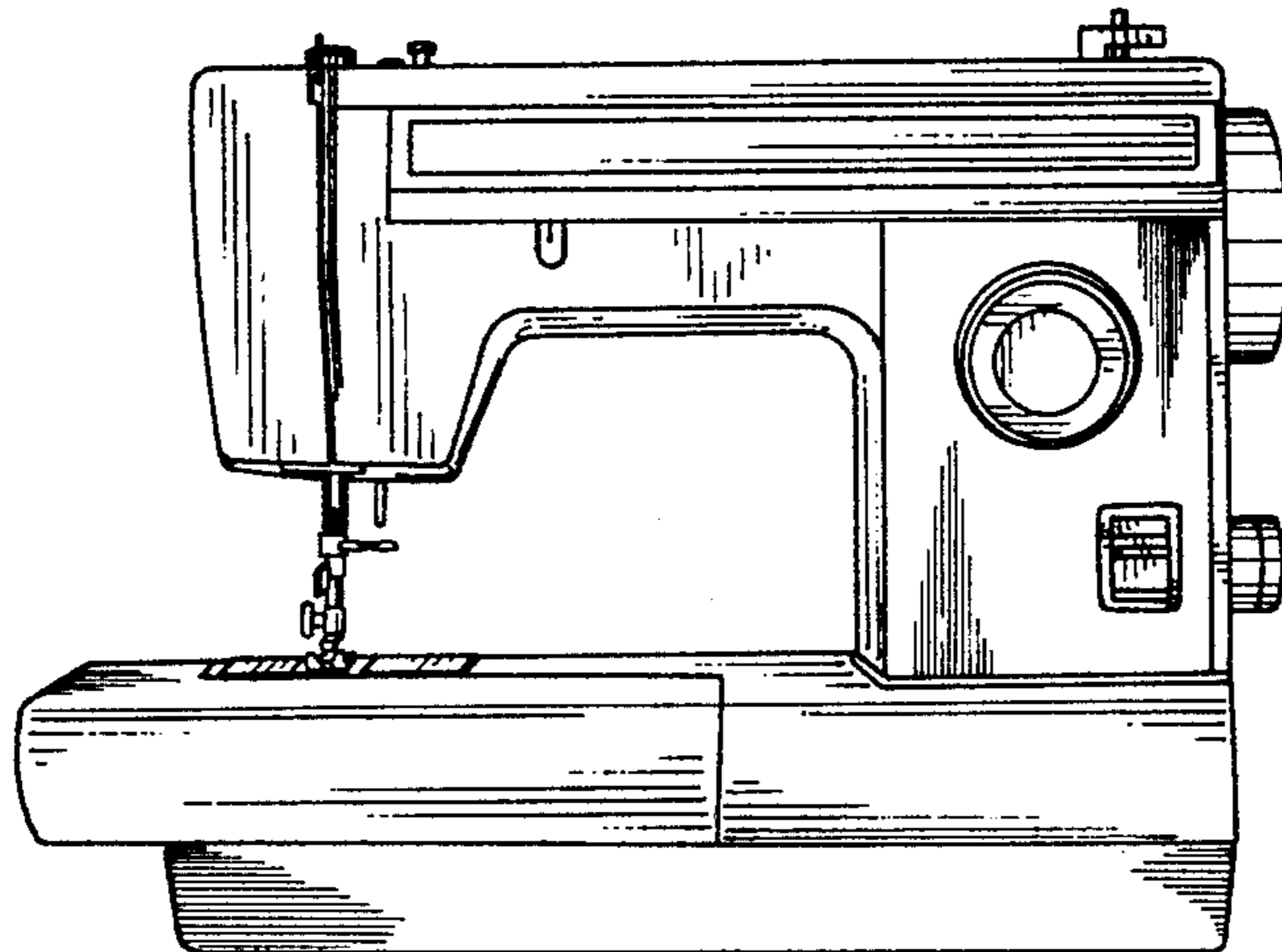


FIG. 1

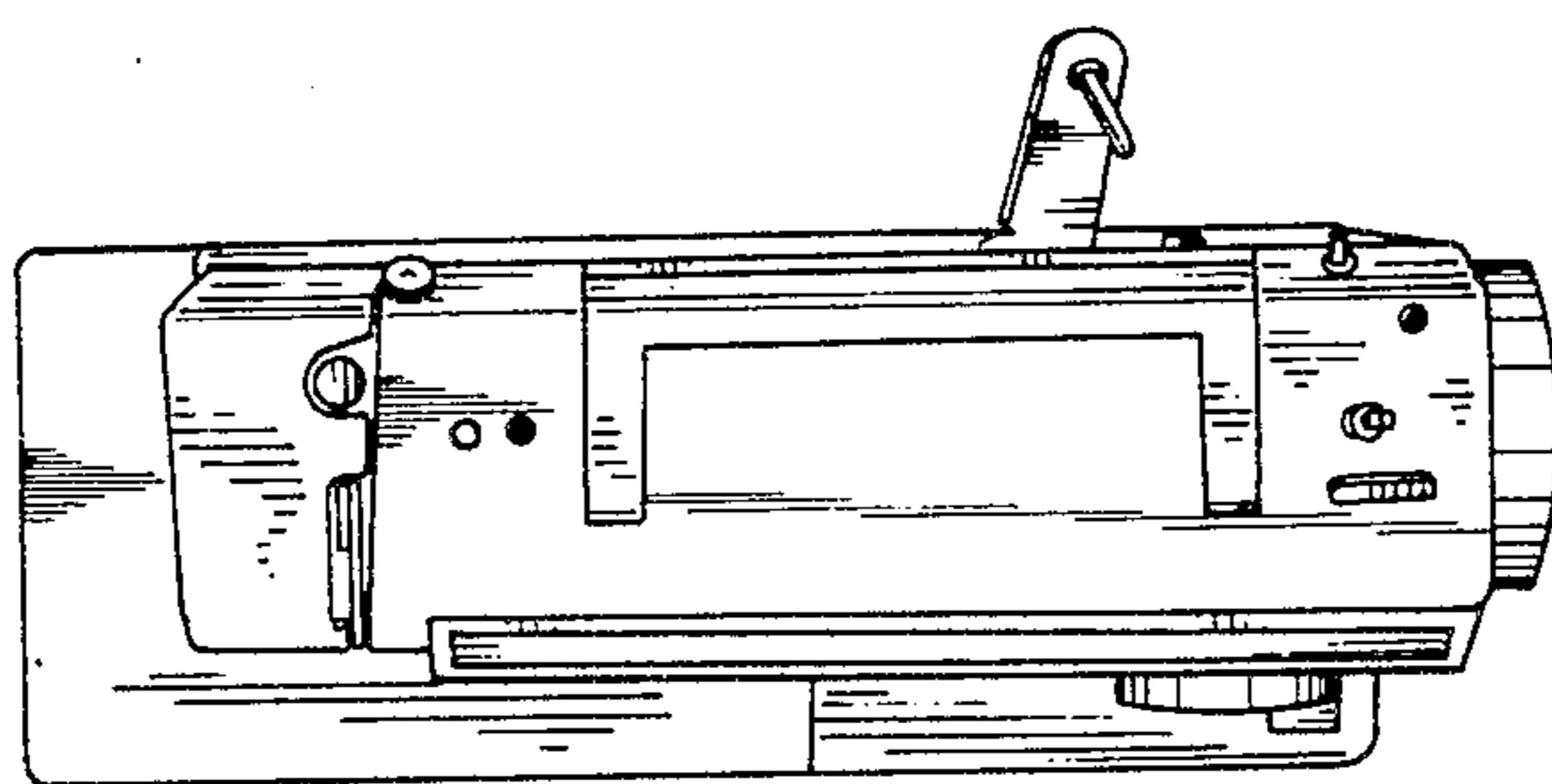


FIG. 2

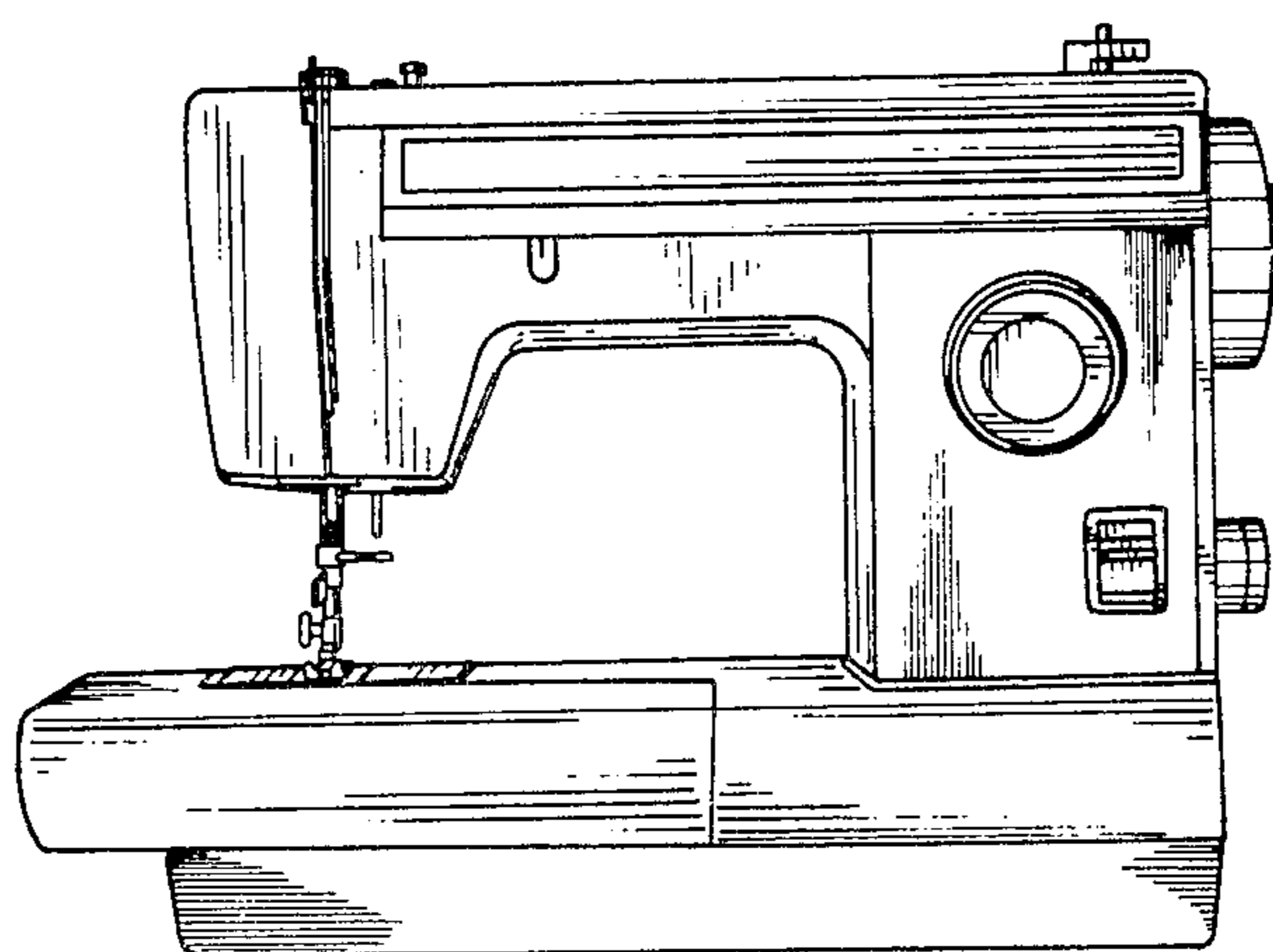


FIG. 3

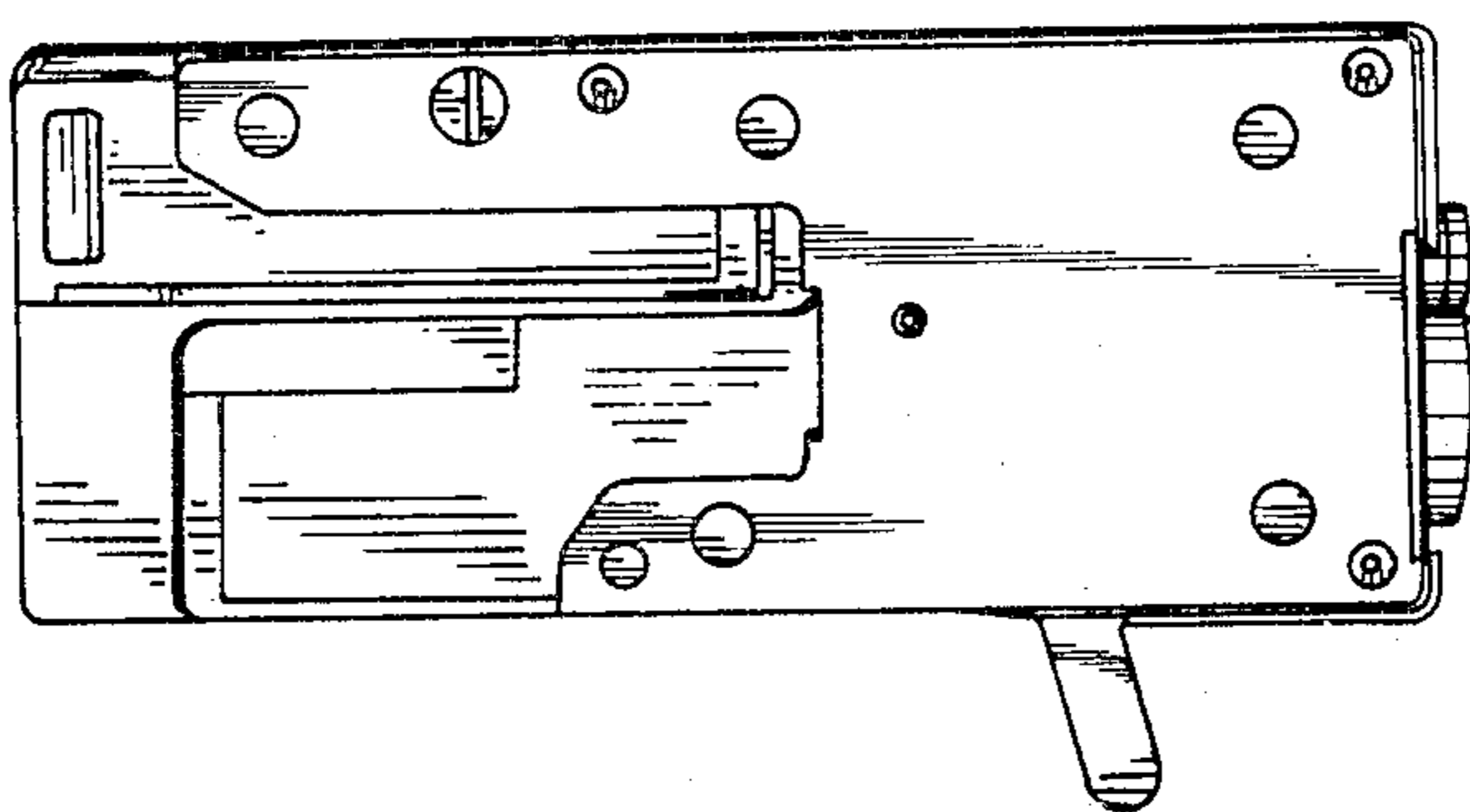


FIG. 4

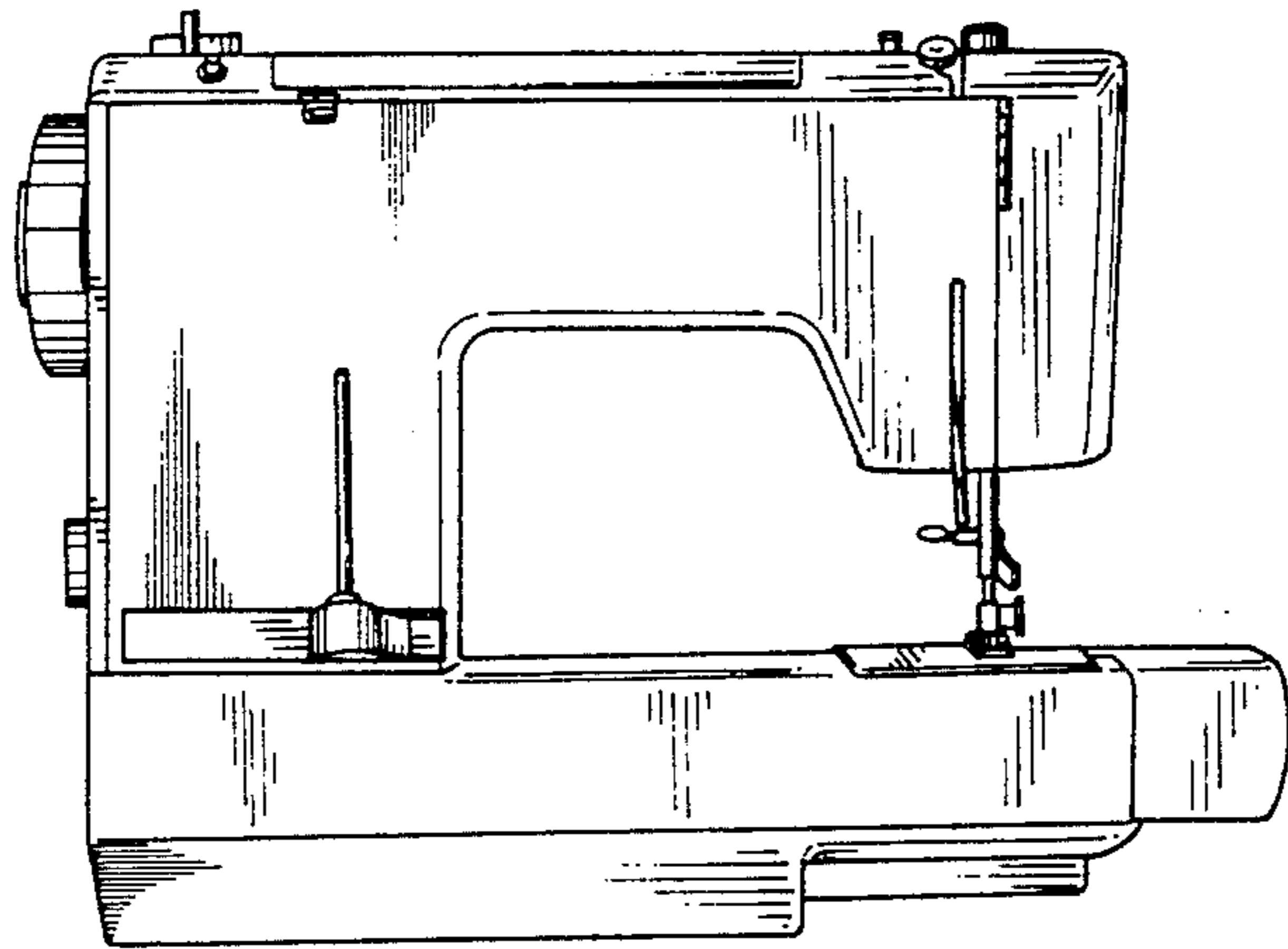


FIG. 5

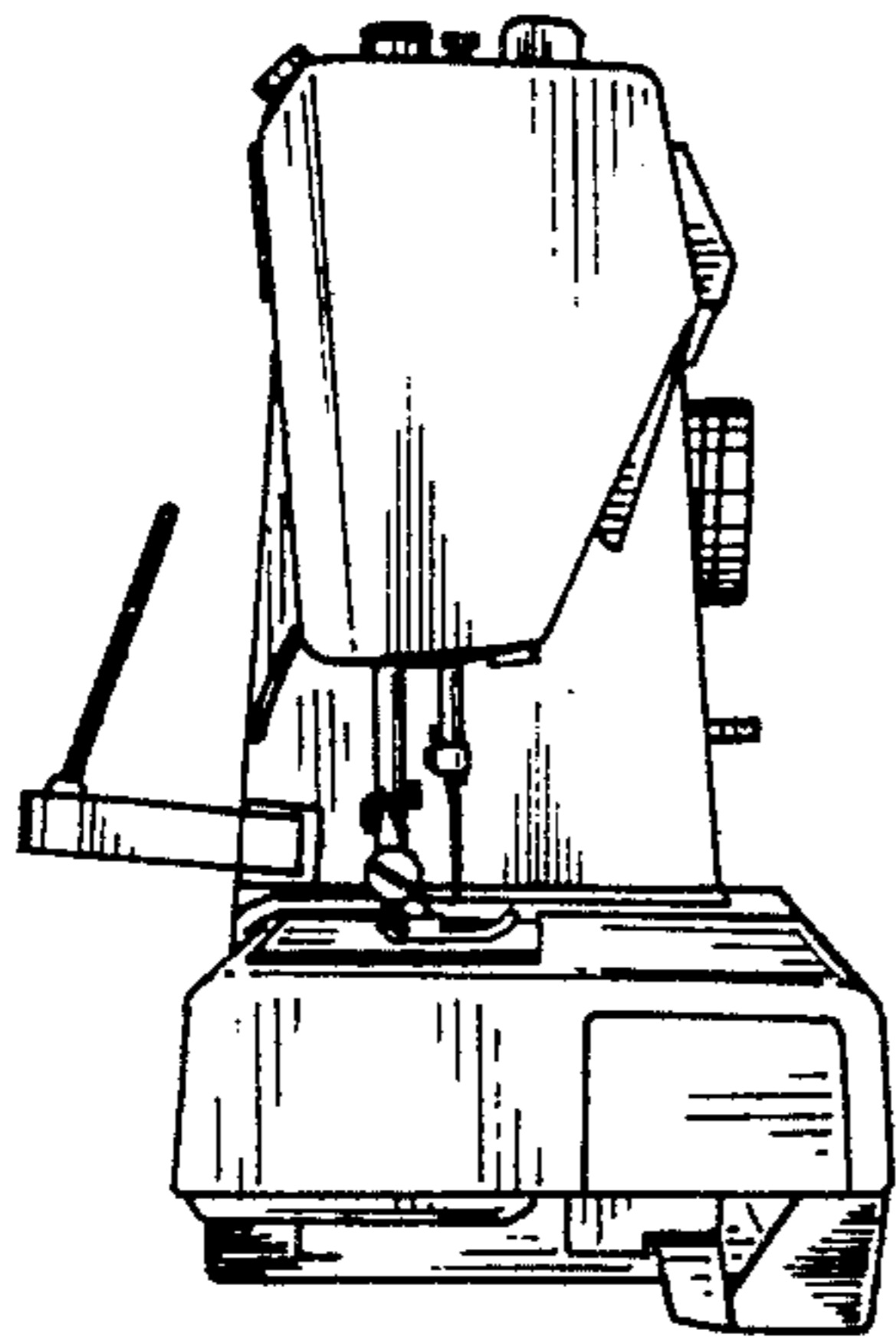


FIG. 6

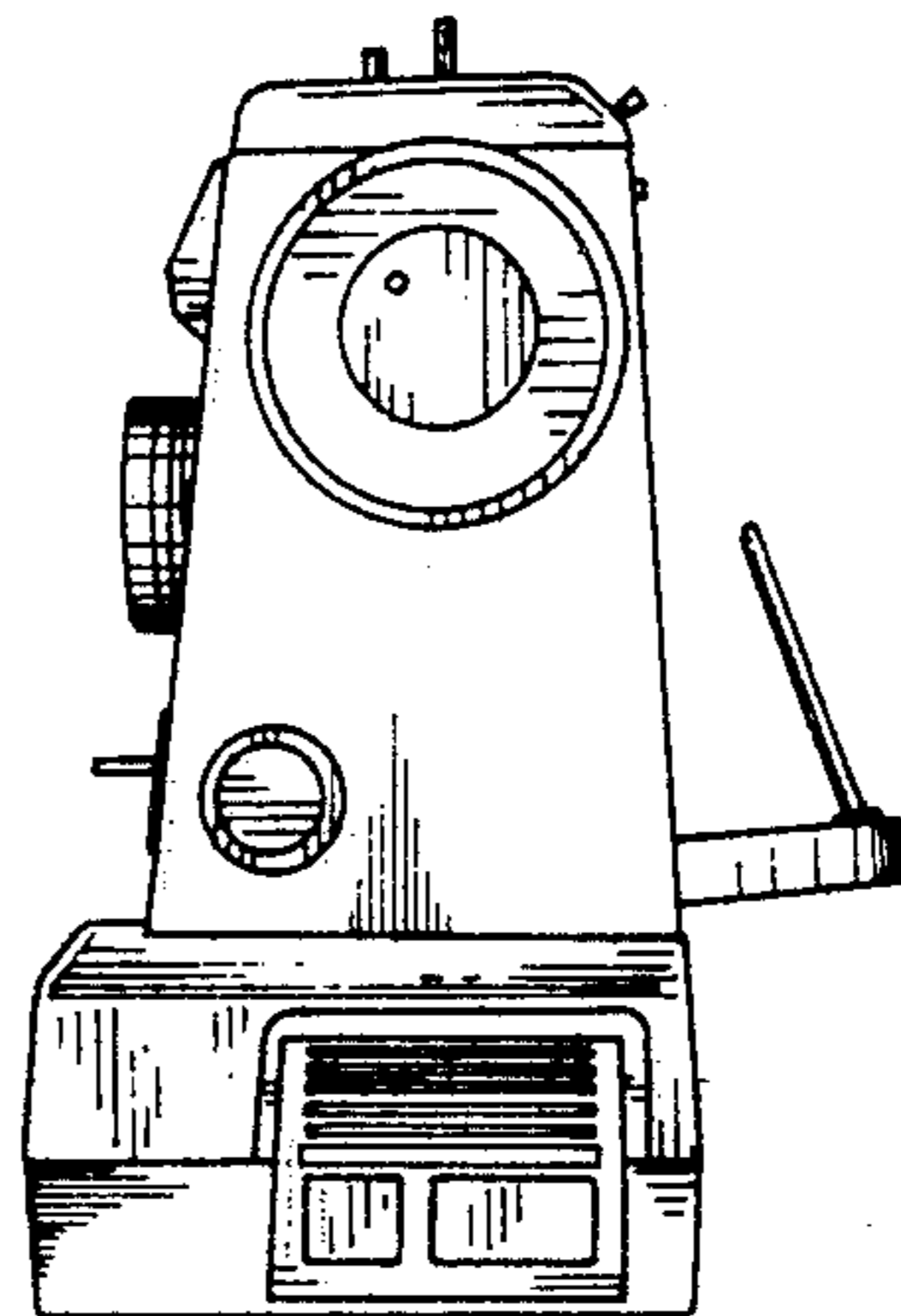


FIG. 7

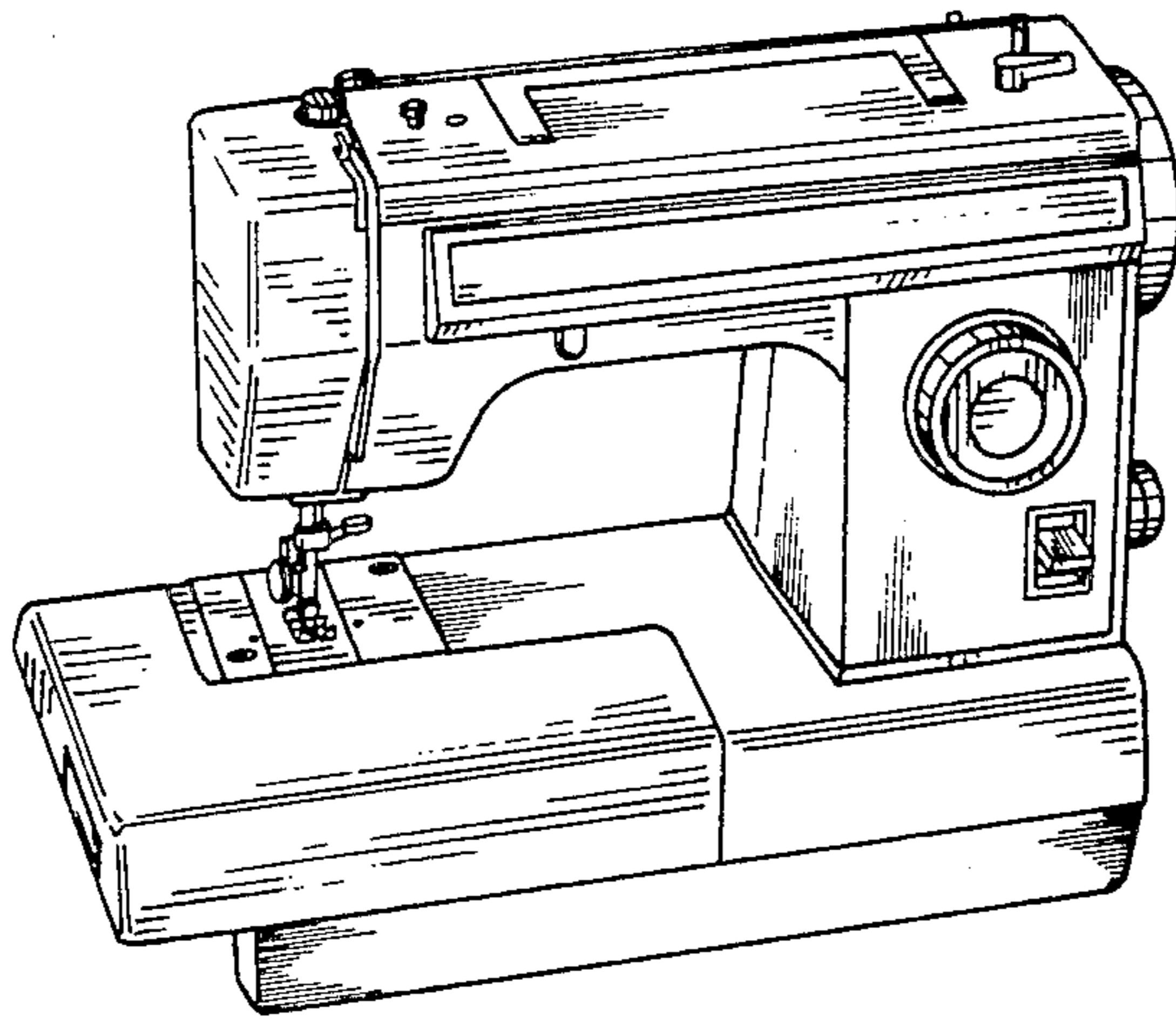


FIG. 8

