

[54] BOOM SPRAYER

[76] Inventor: Gavin McDonnell, Box 19, Corrigin, 6375, Australia

[**] Term: 14 Years

[21] Appl. No.: 665,528

[22] Filed: Oct. 26, 1984

[30] Foreign Application Priority Data

May 4, 1984 [AU] Australia 7353/84

[52] U.S. Cl. D15/27

[58] Field of Search D15/10, 13, 27; 239/163, 164, 166, 167, 169; 111/1.7

[56] References Cited

U.S. PATENT DOCUMENTS

2,964,247	12/1960	Maasdam	239/167
3,814,320	6/1974	Skurray	239/169
3,927,832	12/1975	Robinson et al.	239/169
4,405,085	9/1983	Meyer	239/169
4,441,655	4/1984	Blumhardt	239/167

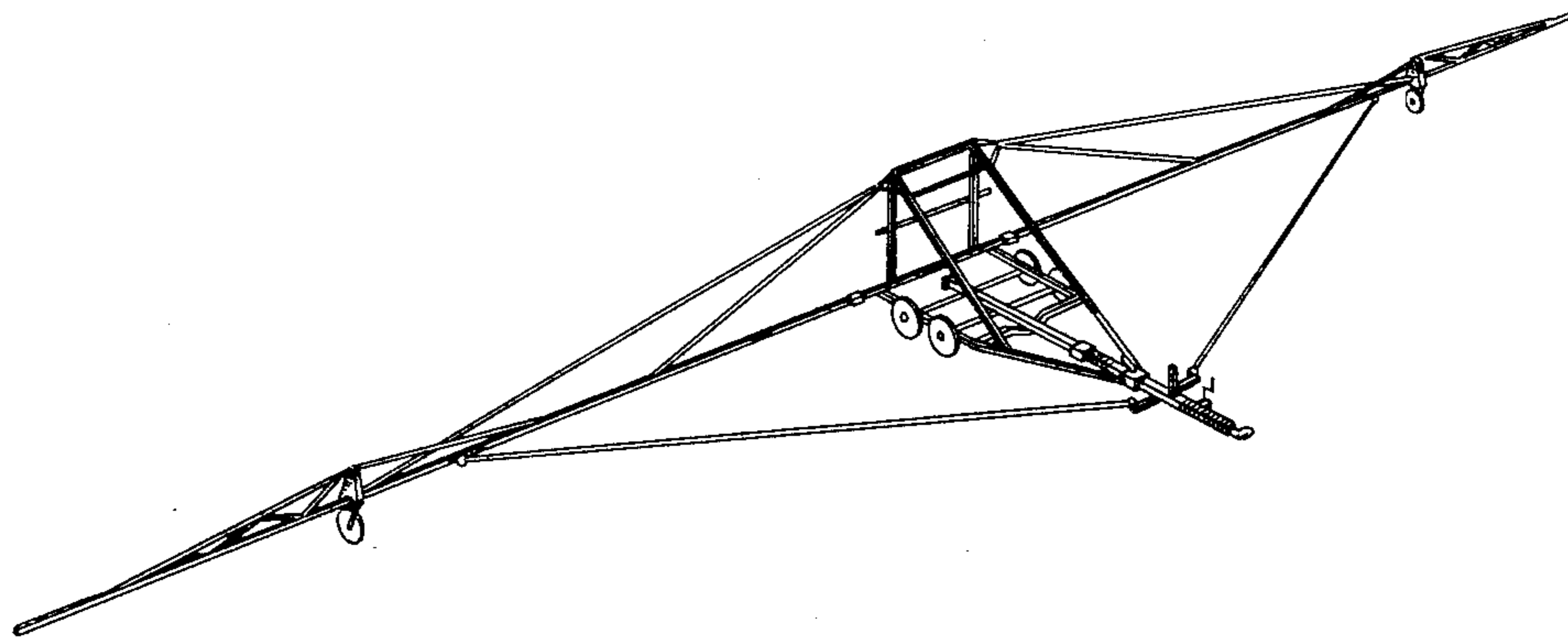
Primary Examiner—B. J. Bullock
Assistant Examiner—Suzanne N. Gitlin
Attorney, Agent, or Firm—John S. Hale

[57] CLAIM

The ornamental design for a boom sprayer, as shown and described.

DESCRIPTION

FIG. 1 is a top perspective view of a boom sprayer showing my new design;
FIG. 2 is a rear elevational view thereof;
FIG. 3 is a top plan view thereof;
FIG. 4 is an enlarged fragmentary perspective view thereof;
FIG. 5 is an enlarged fragmentary top plan view thereof;
FIG. 6 is an enlarged left side elevational view thereof, the booms being shown in closed position;
FIG. 7 is an enlarged top plan view thereof, the booms being shown in closed position;
FIG. 8 is an enlarged fragmentary perspective view illustrating one end of the boom.



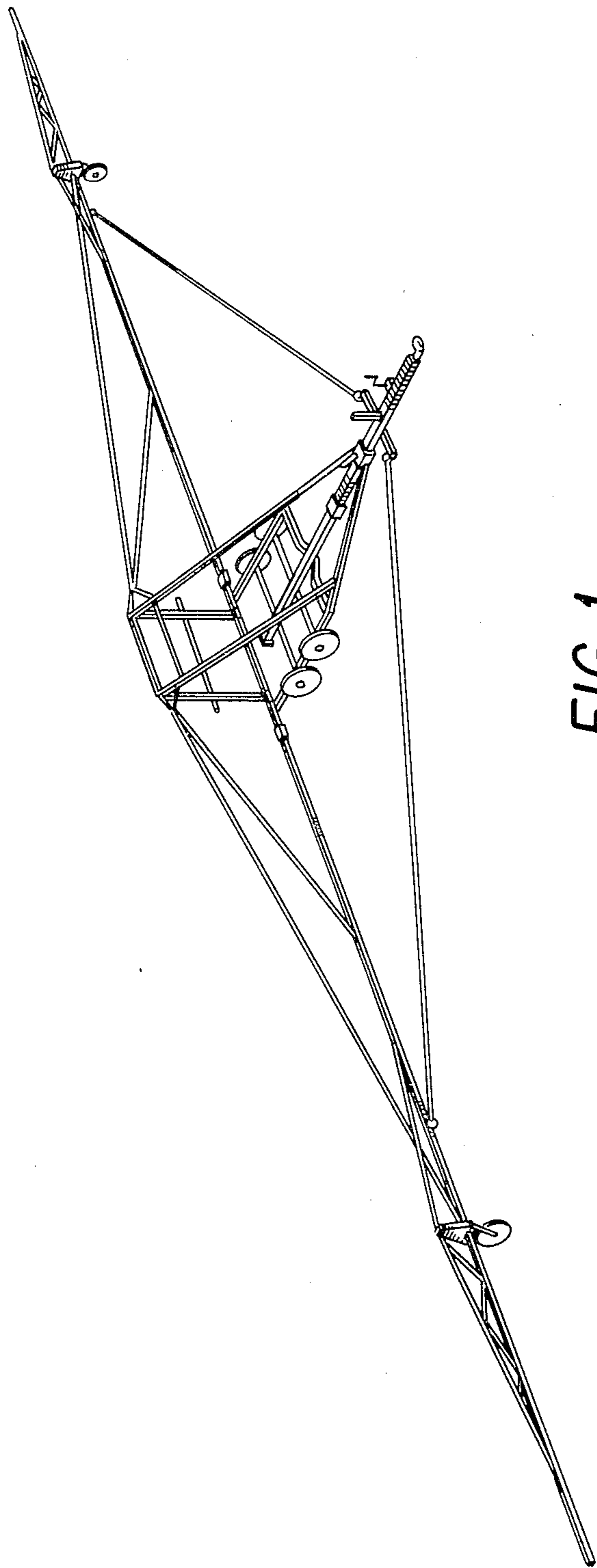


FIG. 1

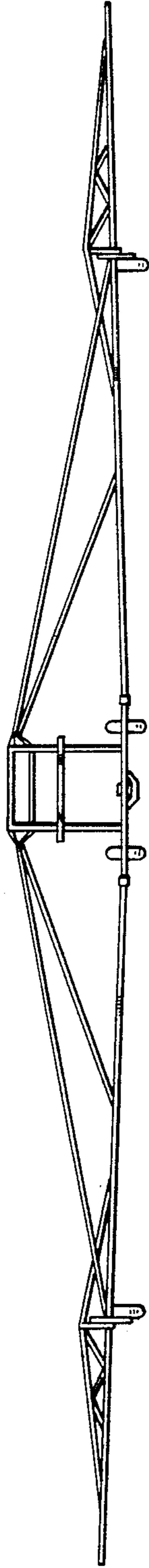


FIG. 2

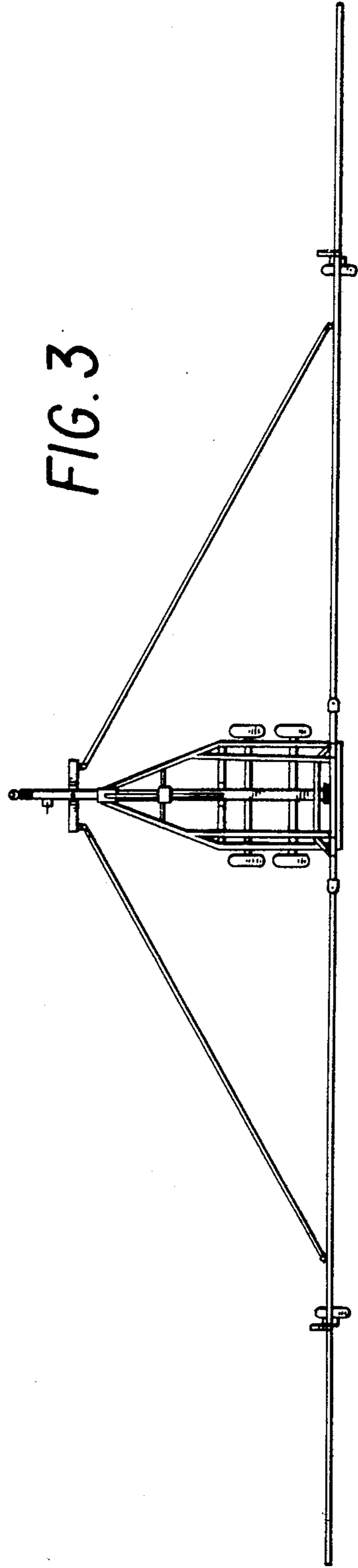


FIG. 3

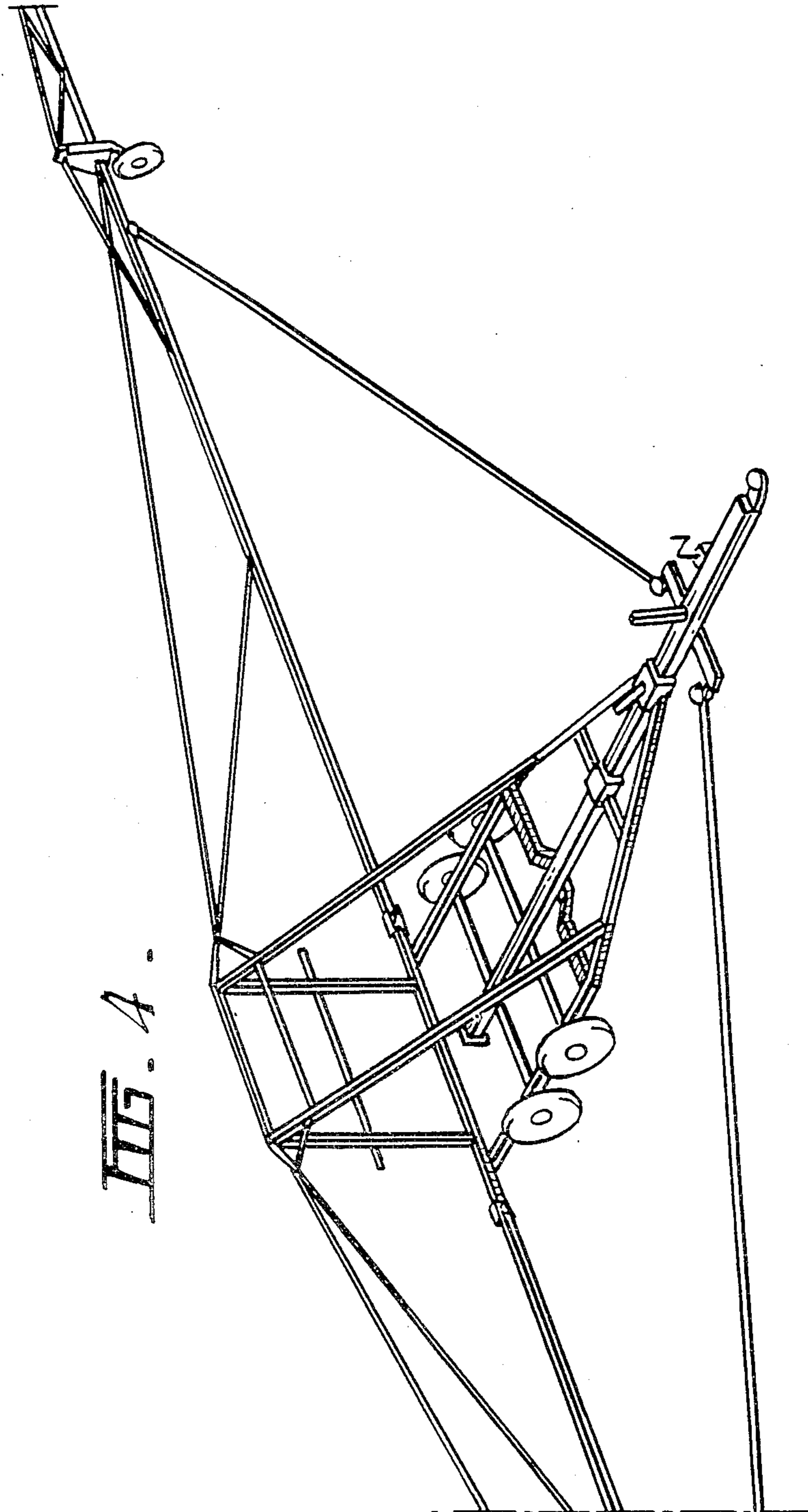


FIG. 4.

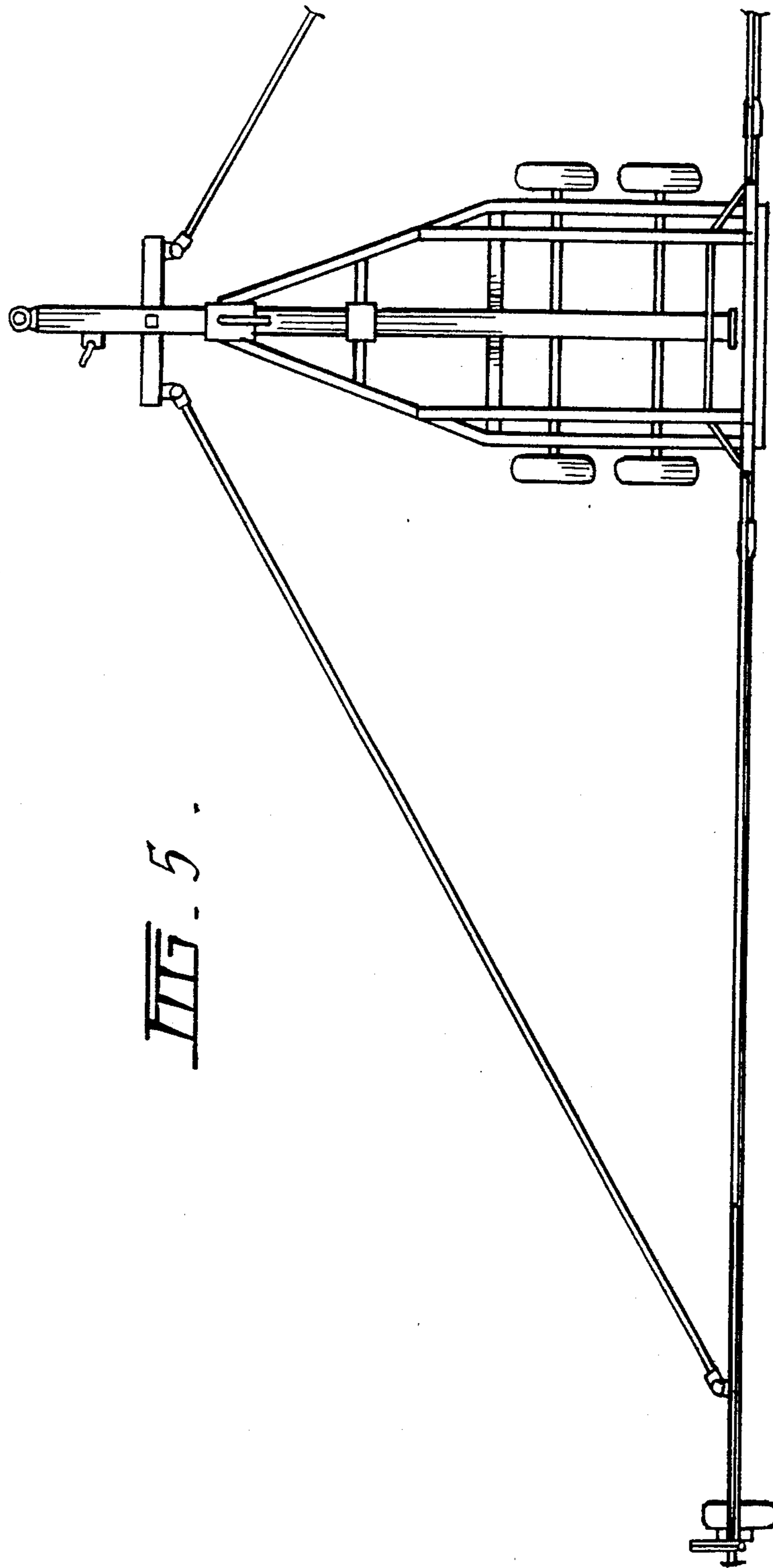
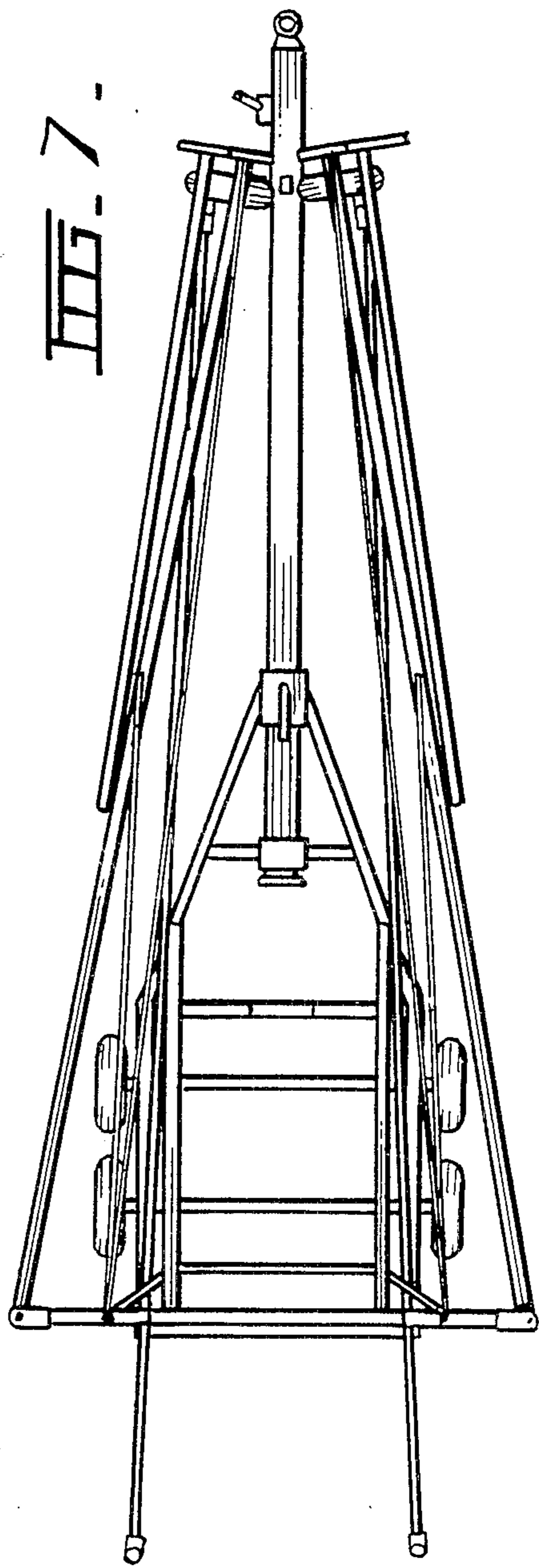
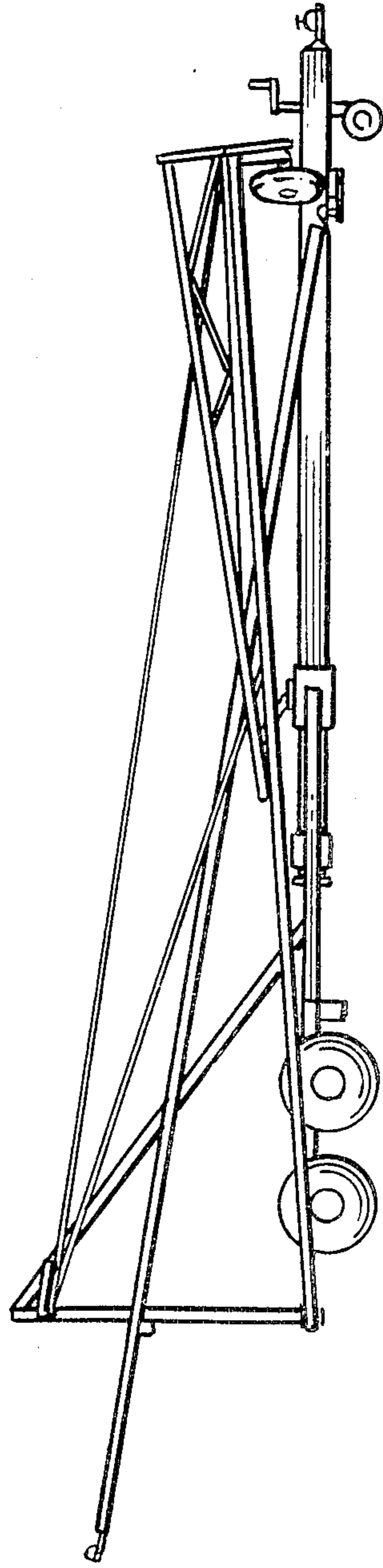


FIG. 5.



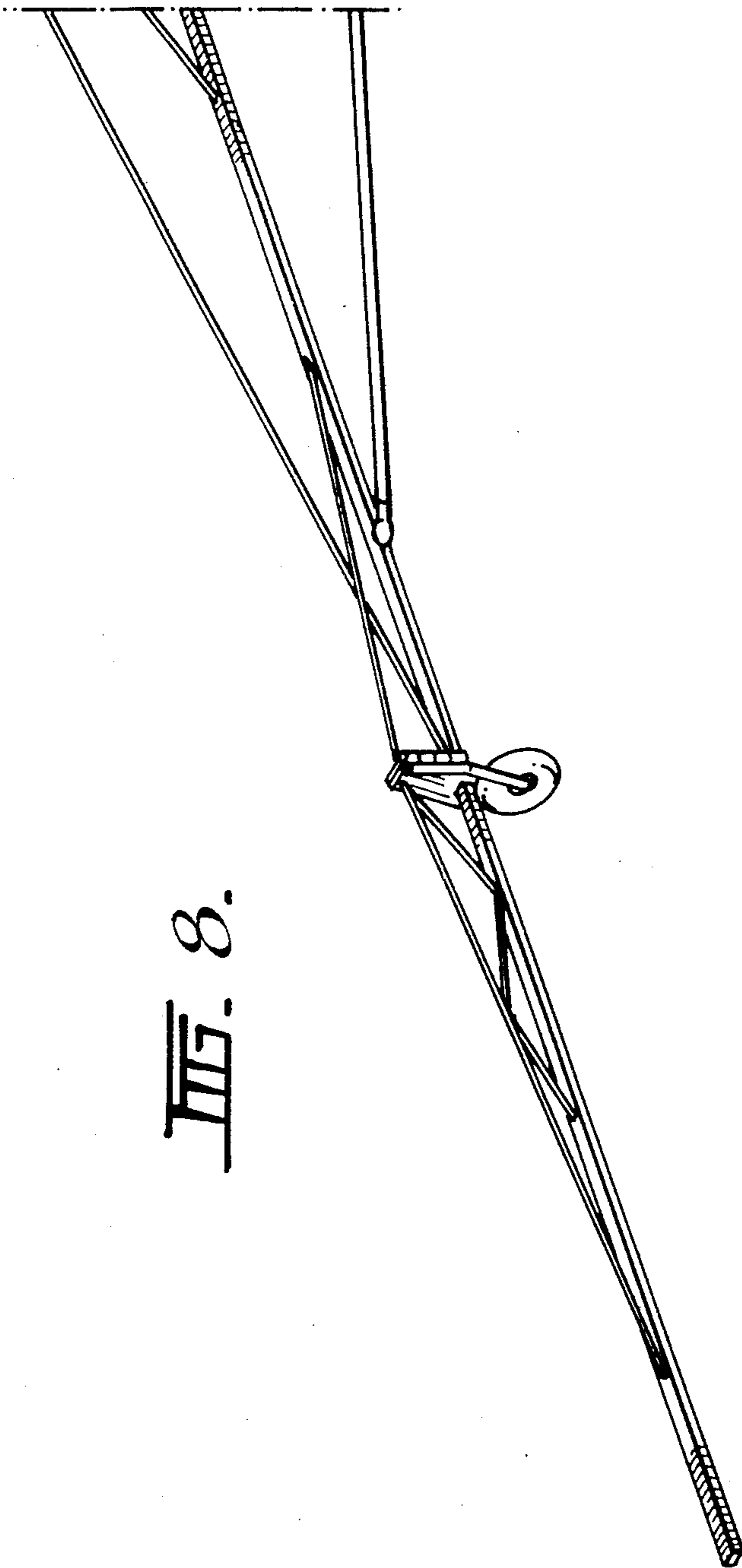


FIG. 8.