

[54] OPTICAL DISK

[75] Inventors: Shigeru Sutoh, Urawa; Kunio Hara, Chiba, both of Japan

[73] Assignee: Kabushiki Kaisha Toshiba, Kawasaki, Japan

[**] Term: 14 Years

[21] Appl. No.: 613,647

[22] Filed: May 24, 1984

[30] Foreign Application Priority Data

Nov. 29, 1983 [JP] Japan 58-51465

[52] U.S. Cl. D14/114

[58] Field of Search D14/100, 107, 114; 360/97, 99, 133; 206/309, 444; 369/291

[56] References Cited

U.S. PATENT DOCUMENTS

4,138,703 2/1979 Stave et al. 360/97 X

FOREIGN PATENT DOCUMENTS

2497992 7/1982 France 206/309

OTHER PUBLICATIONS

Catalogue of Hitachi Maxell Optical Disk Cartridge.

Primary Examiner—Susan J. Lucas

Attorney, Agent, or Firm—Finnegan, Henderson, Farabow, Garrett & Dunner

[57] CLAIM

The ornamental design for an optical disk, substantially as shown and described.

DESCRIPTION

FIG. 1 is a front perspective view of an optical disk showing our new design;

FIG. 2 is a front perspective view thereof, the cover being opened in the direction of the arrow and the disk being exposed;

FIG. 3 is a front elevational view thereof, the cover being closed as in FIG. 1;

FIG. 4 is a right side elevational view thereof, the opposite side being a mirror image of the side shown;

FIG. 5 is a top plan view thereof;

FIG. 6 is a bottom plan view thereof; and

FIG. 7 is a rear elevational view thereof.

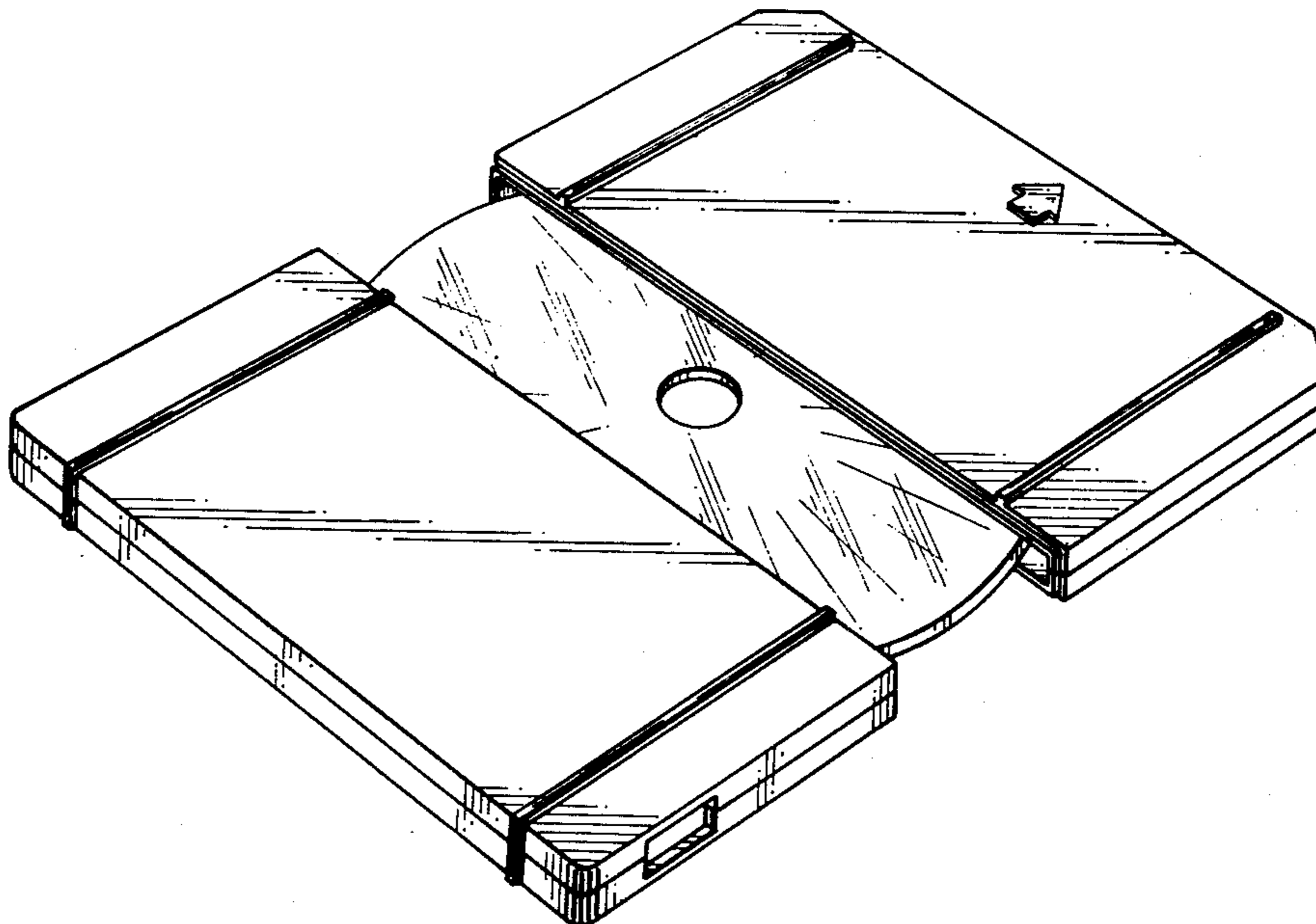


FIG. 1

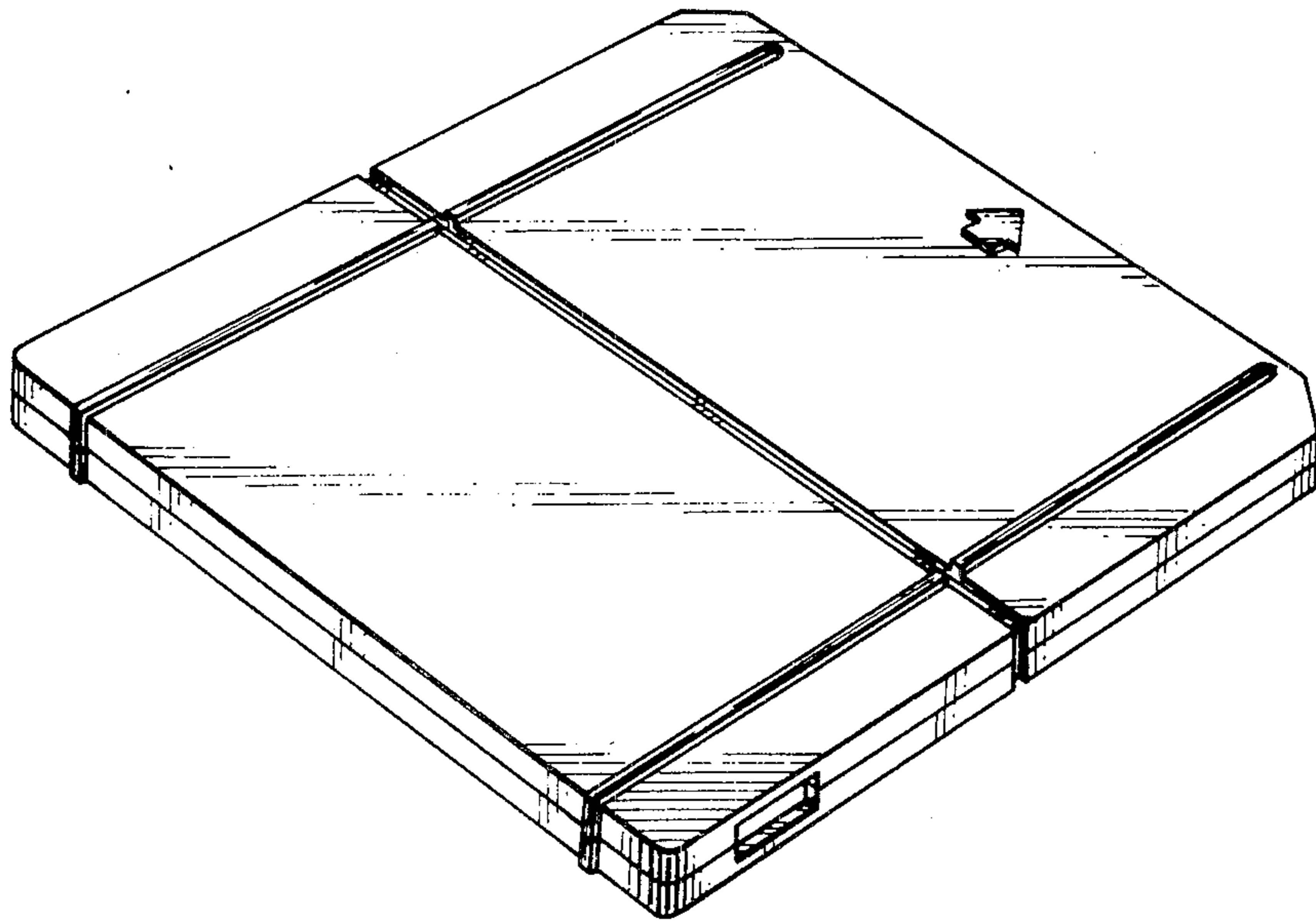


FIG. 2

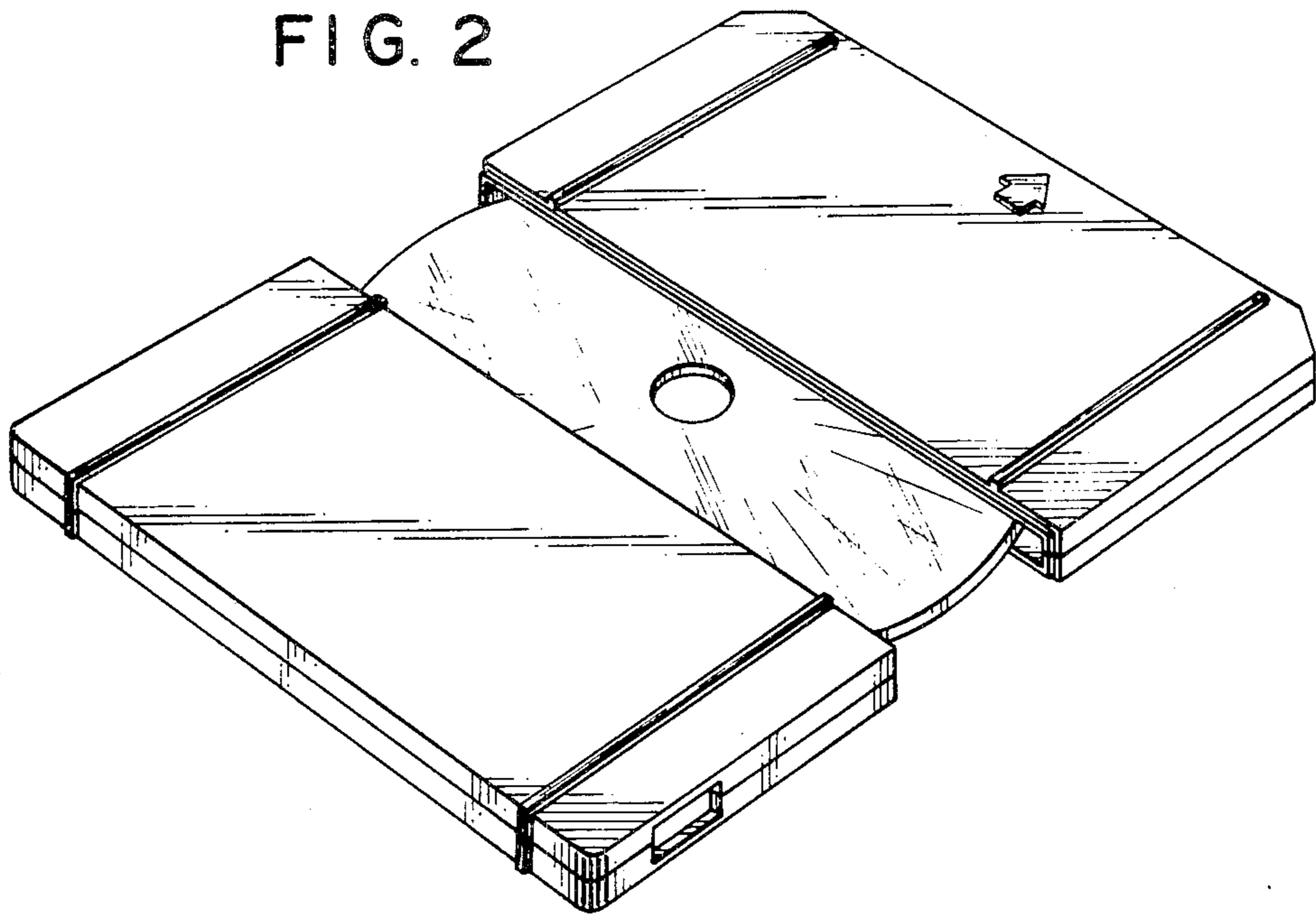


FIG. 3

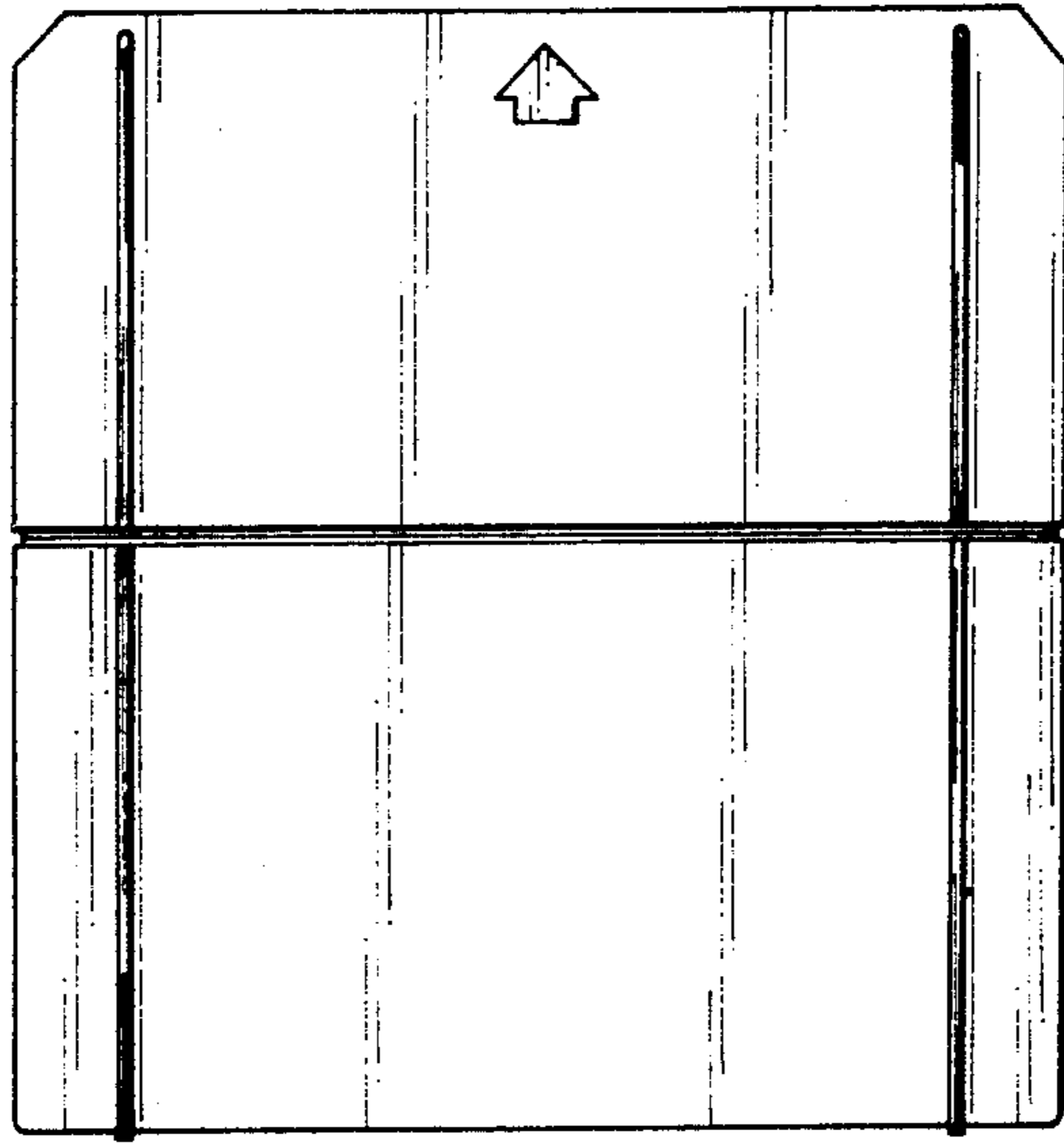


FIG. 4



FIG. 5

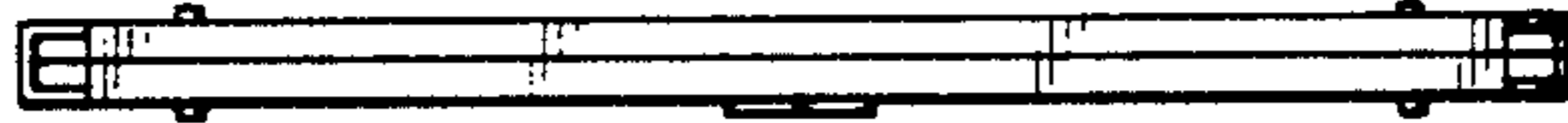


FIG. 6

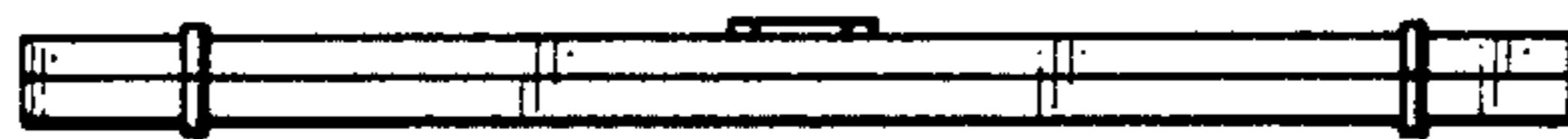


FIG. 7

