

[54] FLAT PANEL DISPLAY FOR PERSONAL COMPUTER

[75] Inventors: Rob J. Gemmell, Santa Clara; Stephen Peart, Los Gatos, both of Calif.

[73] Assignee: Apple Computer, Inc., Cupertino, Calif.

[**] Term: 14 Years

[21] Appl. No.: 602,656

[22] Filed: Apr. 20, 1984

[52] U.S. Cl. D14/113

[58] Field of Search D14/100, 106, 113, 107, D14/114, 77, 81, 82, 83; D18/1, 7, 12; 340/365 R, 700, 711; 358/254, 248, 249; 312/7.2

[56] References Cited

U.S. PATENT DOCUMENTS

D. 266,762	11/1982	Gibson	D14/113
D. 274,728	7/1984	Shibata	D14/113
4,438,458	3/1984	Münscher	D14/113 X
4,528,597	7/1985	Klein et al.	358/254

OTHER PUBLICATIONS

IBM Technical Disclosure Bulletin, vol. 23, No. 6, 11-1980, p. 2339, Schaum Variable Tilt Gas Panel. IBM ® Technical Disclosure Bulletin, vol. 24, No. 7B, 12-1981, p. 3981, Wang, CRT Mounting for Typewriter.

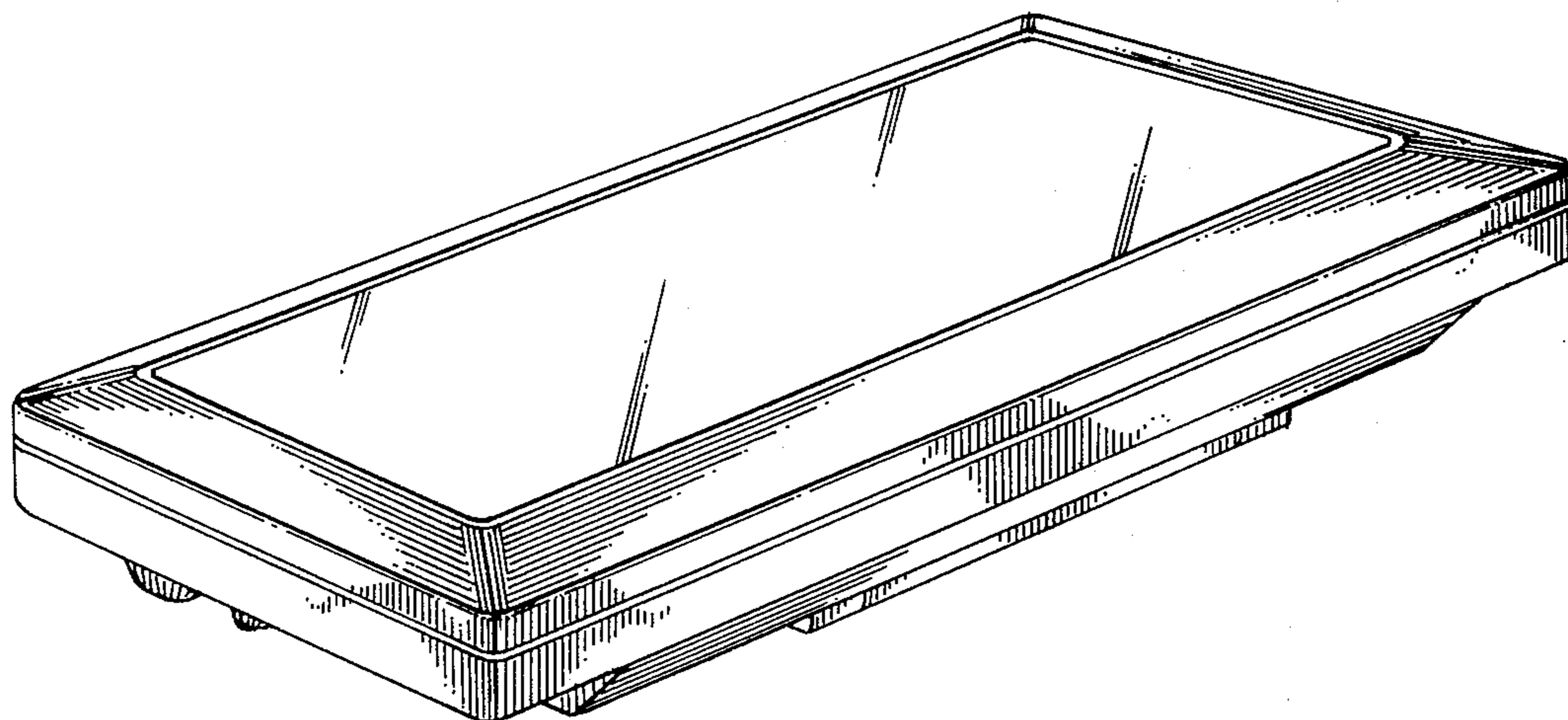
Primary Examiner—Susan J. Lucas
Attorney, Agent, or Firm—Blakely, Sokoloff, Taylor & Zafman

[57] CLAIM

The ornamental design for a flat panel display for personal computer, substantially as shown.

DESCRIPTION

FIG. 1 is a top, front perspective view of the flat panel display for personal computers showing our new design;
FIG. 2 is a top plan view thereof;
FIG. 3 is a front elevation view thereof;
FIG. 4 is a left side elevational view thereof;
FIG. 5 is a right side elevational view thereof;
FIG. 6 is a rear elevation view thereof;
FIG. 7 is a bottom plan view thereof.



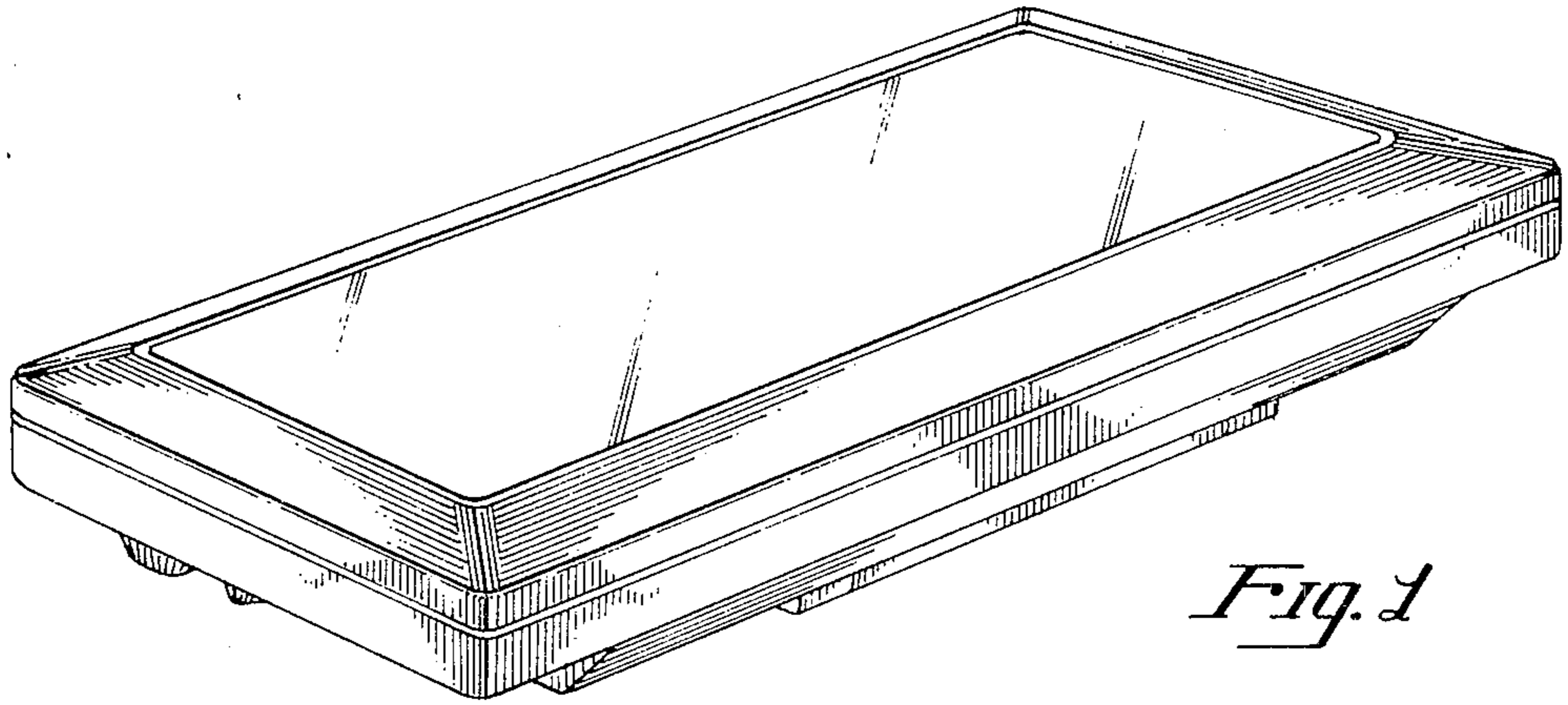


Fig. 1

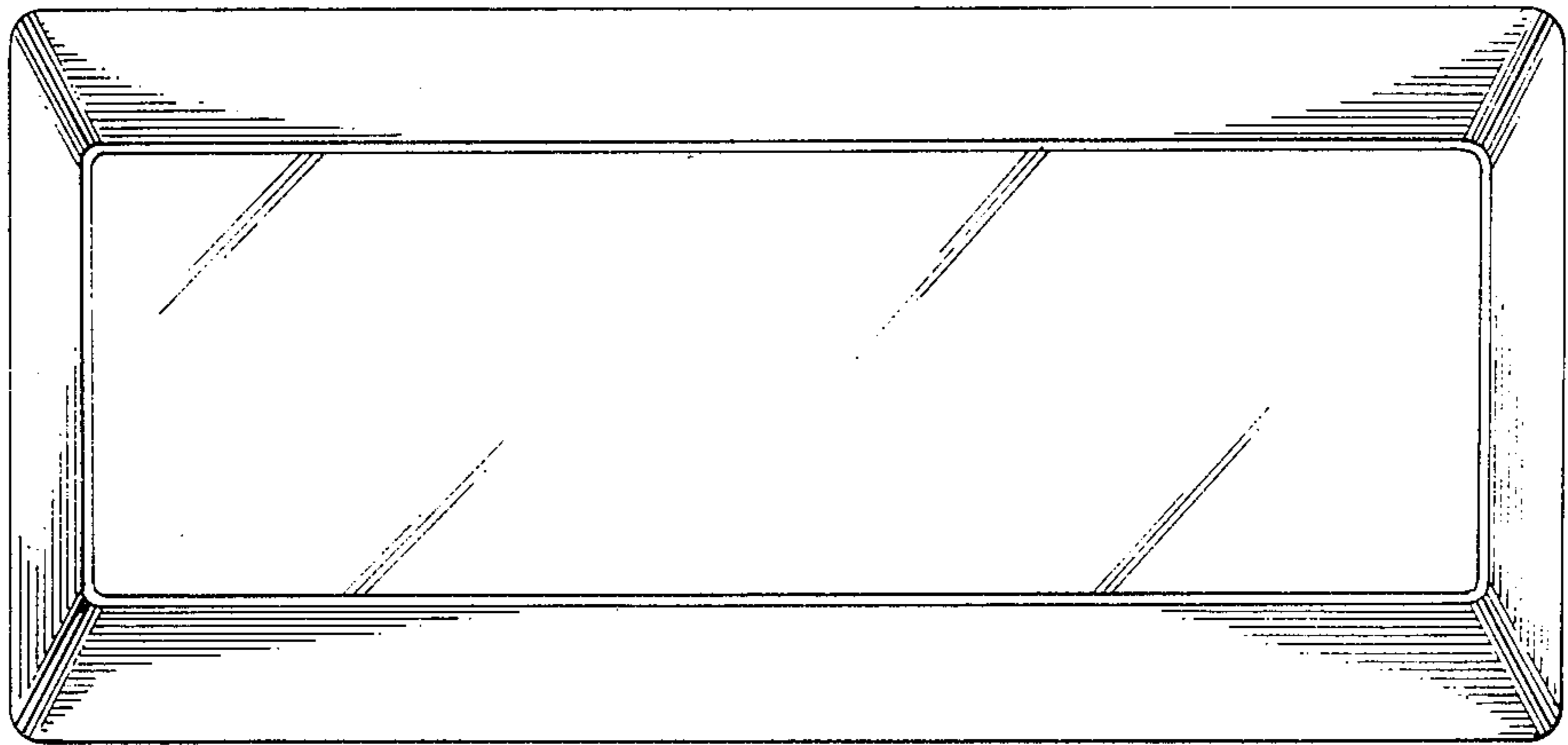


Fig. 2

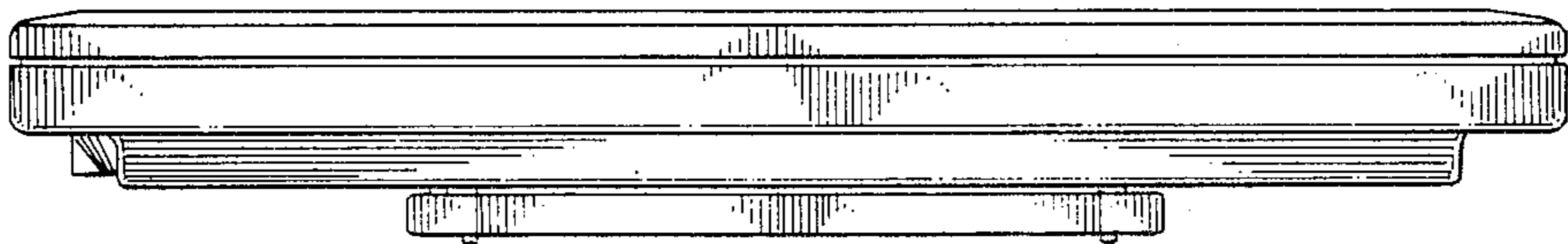


Fig. 3

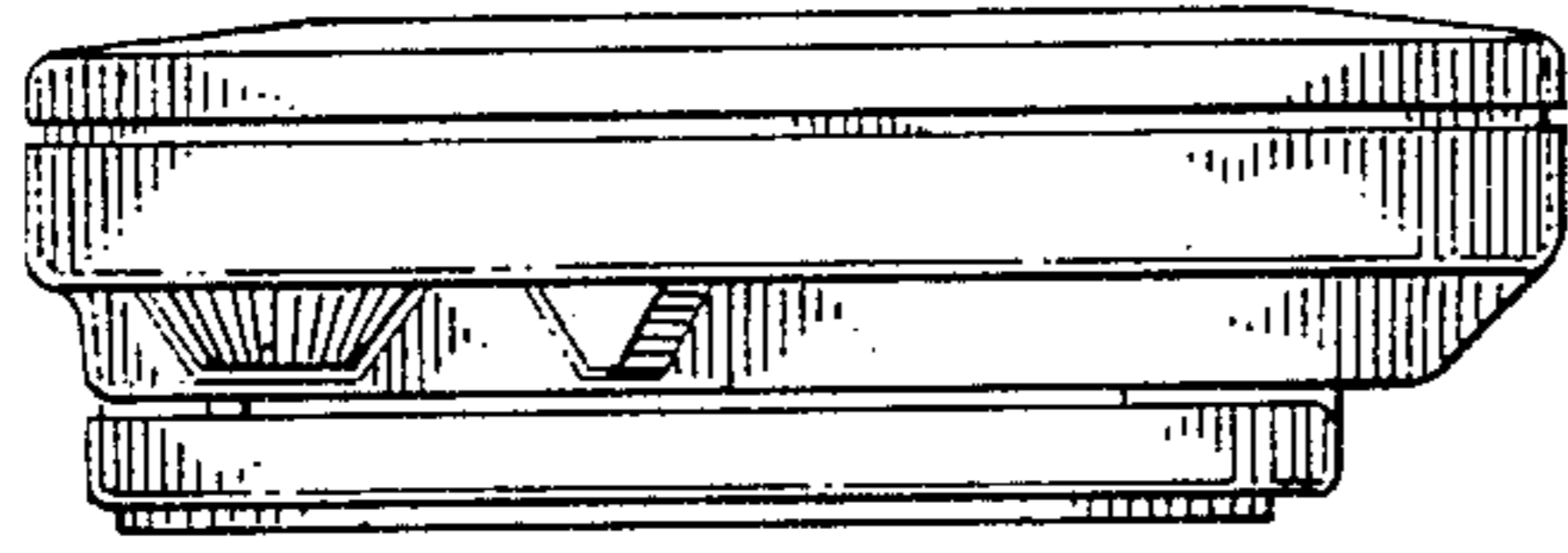


Fig. 4

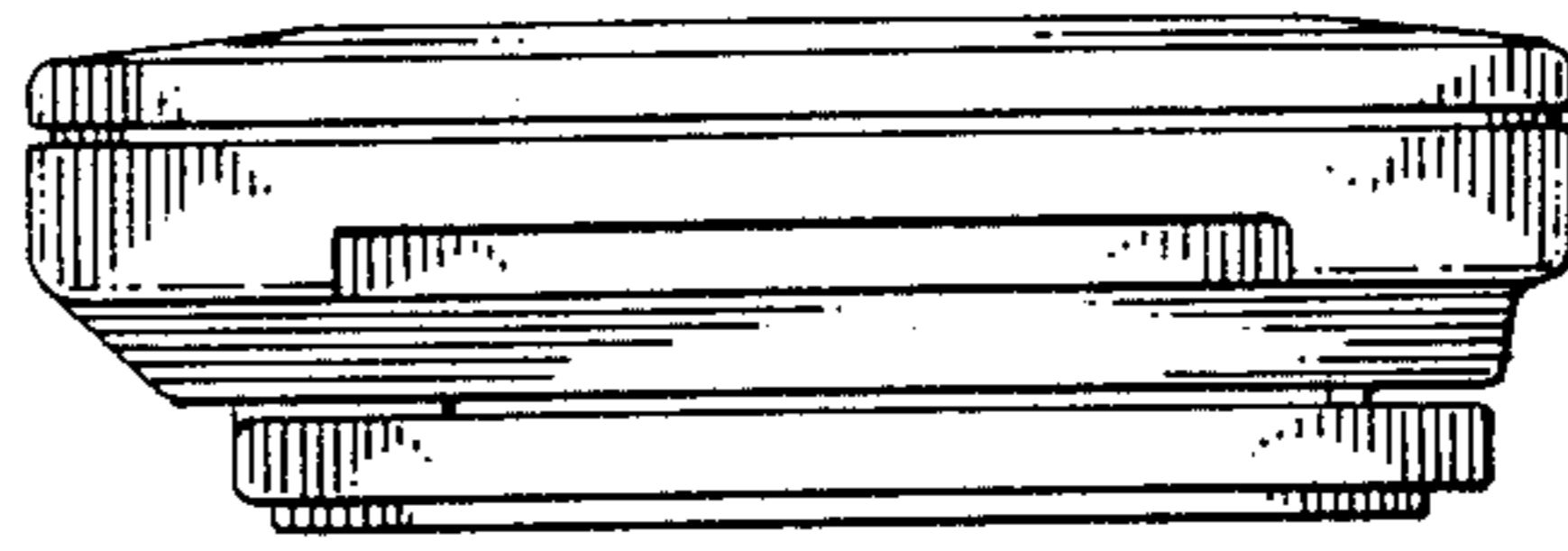


Fig. 5

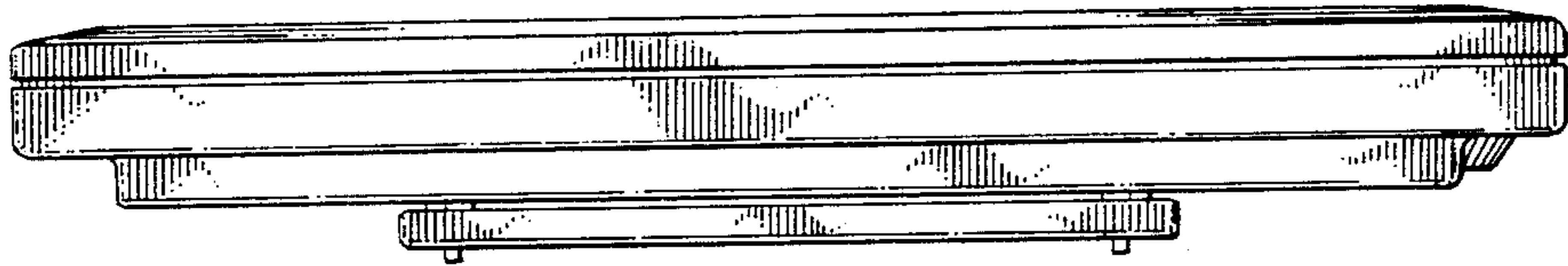


Fig. 6

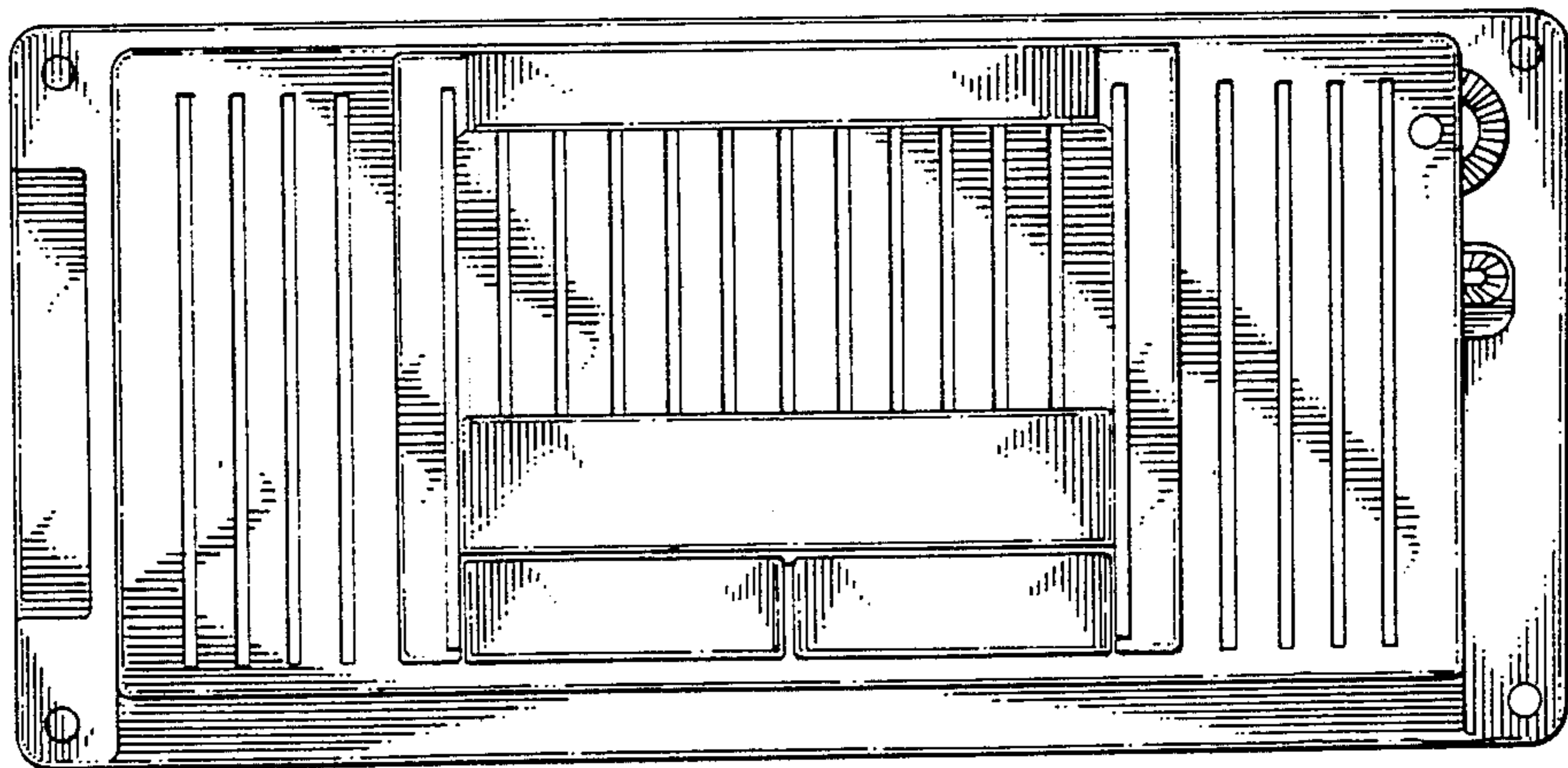


Fig. 7