

[54] CARRIER ATTACHMENT FOR INVALID WALKERS

[75] Inventor: Shirley C. Dornan, Spokane, Wash.

[73] Assignee: James Tomlinson, Spokane, Wash. ; a part interest

[**] Term: 14 Years

[21] Appl. No.: 650,880

[22] Filed: Sep. 17, 1984

[52] U.S. Cl. D12/133

[58] Field of Search D12/133, 155; 280/289 WC; 224/42.43, 42.42, 275, 38, 32 A, 279; D6/406, 510; D7/38; 272/703

[56] References Cited

U.S. PATENT DOCUMENTS

- D. 229,361 11/1973 Bennett D12/133
- D. 274,488 7/1984 Howitt D6/406
- 4,403,786 9/1983 Ulics 280/289 WC

- 4,449,750 5/1984 Pultman 224/42.43
- 4,491,257 1/1985 Ingles 280/289 WC

FOREIGN PATENT DOCUMENTS

- 2091176 7/1982 United Kingdom 224/32 A

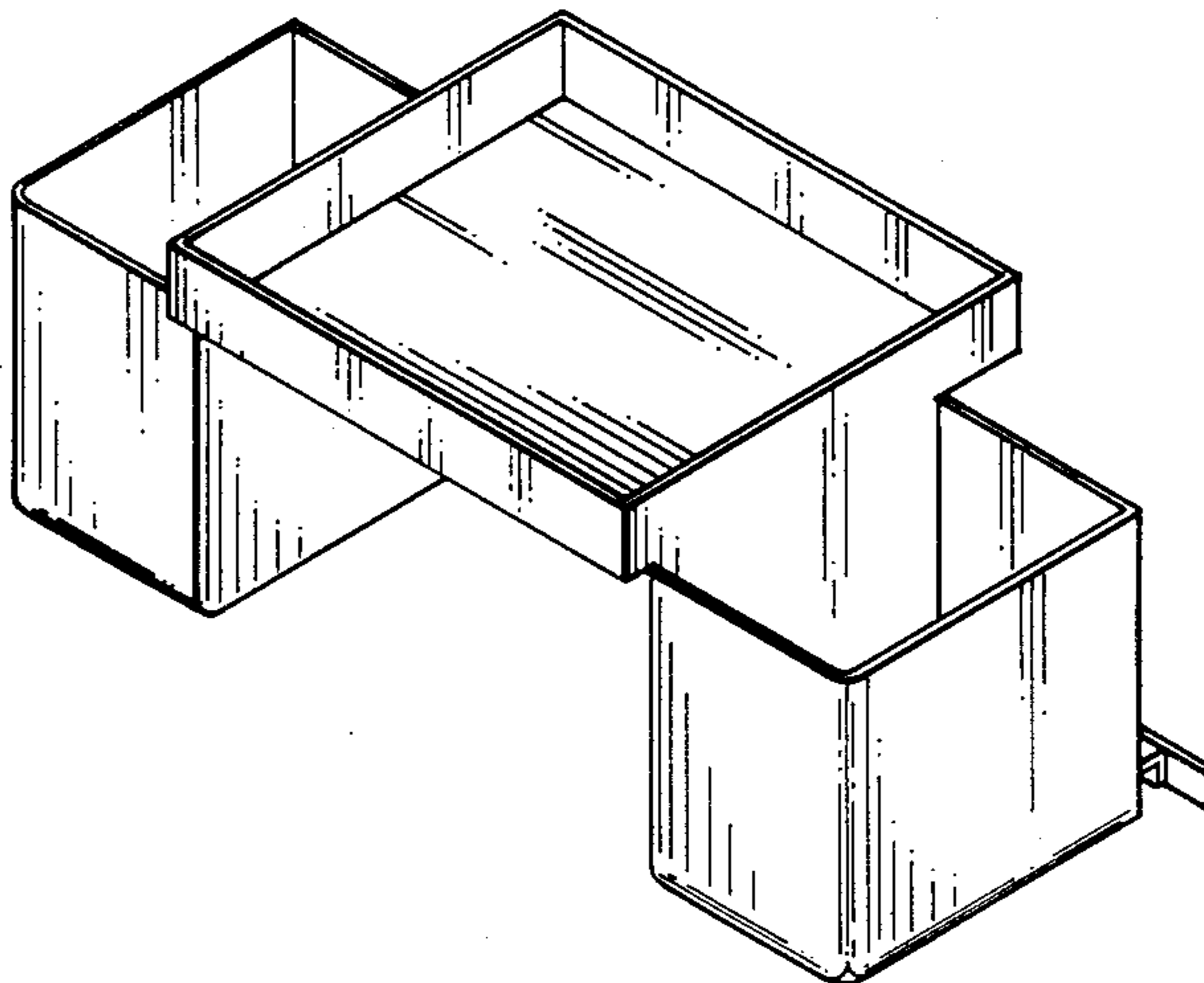
Primary Examiner—James M. Gandy
Assistant Examiner—Kay H. Chin
Attorney, Agent, or Firm—Wells, St. John & Roberts

[57] CLAIM

The ornamental design for a carrier attachment for invalid walkers, as shown and described.

DESCRIPTION

FIG. 1 is a perspective view of a carrier attachment for invalid walkers showing my new design;
FIG. 2 is a top plan view thereof;
FIG. 3 is a bottom plan view thereof;
FIG. 4 is a front elevation view thereof;
FIG. 5 is a side elevation view thereof; and
FIG. 6 is a side elevation view thereof opposite the side illustrated in FIG. 5.



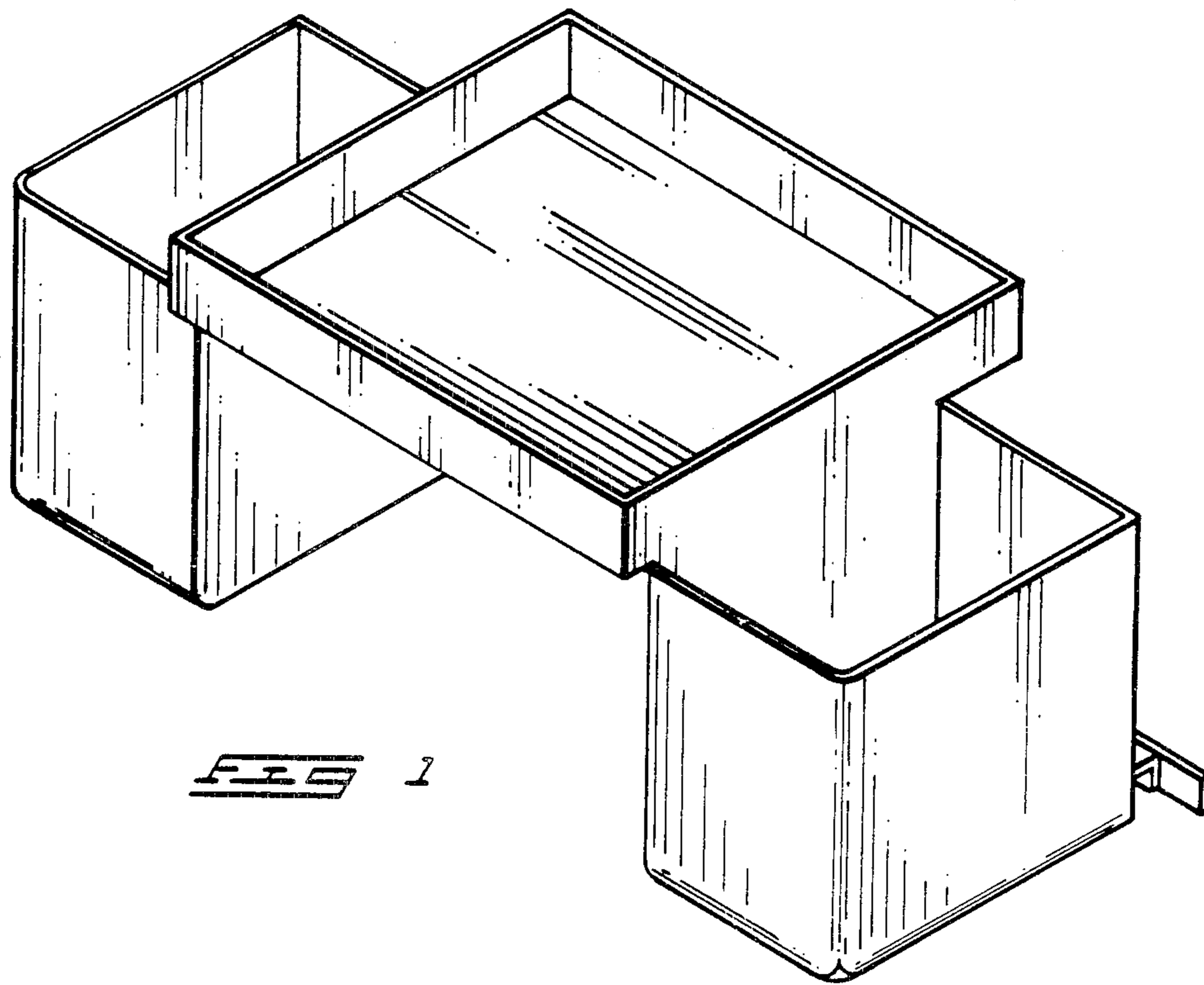


FIG 1

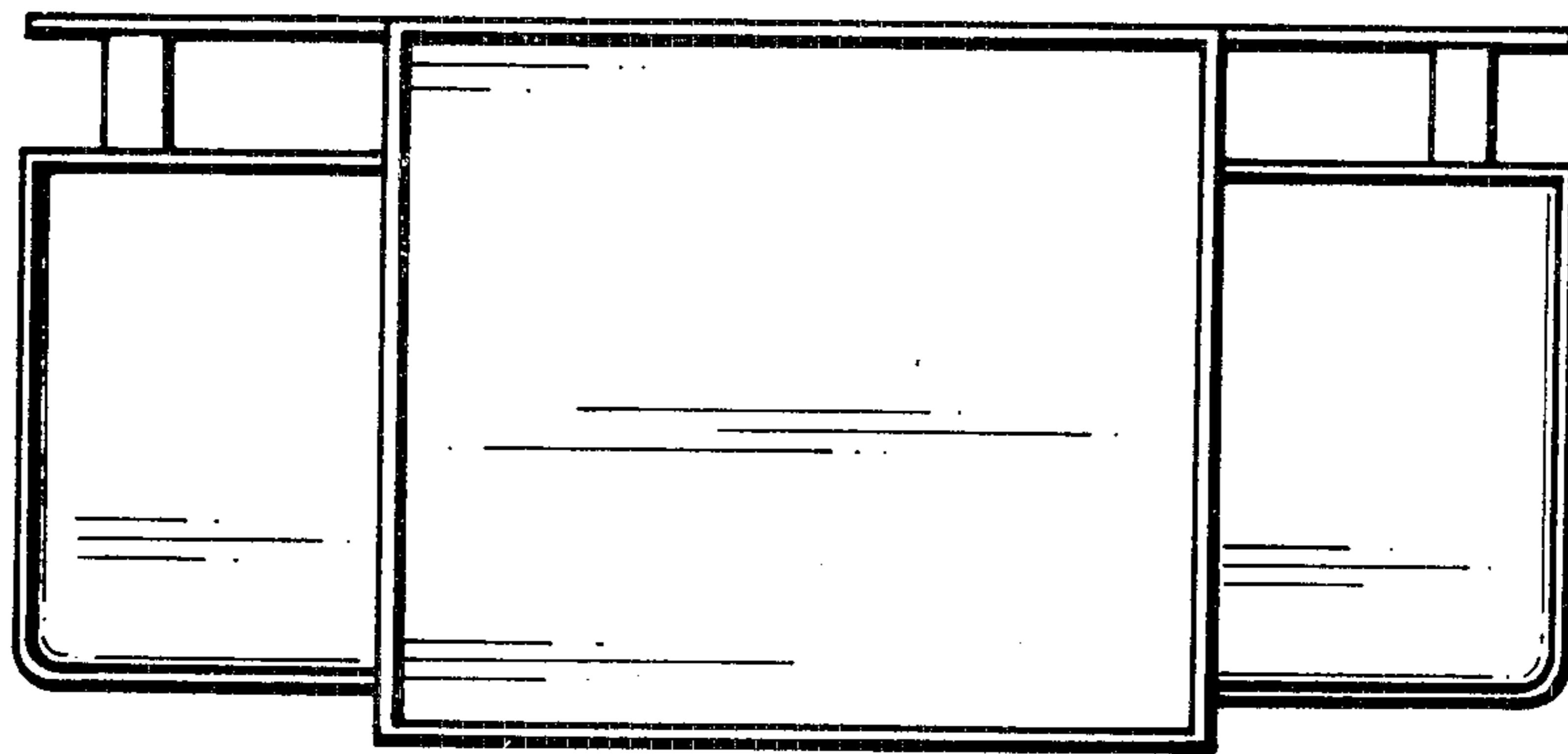


FIG 2