

[54] SUPPORT FOR PLANT POT HOLDERS OR THE LIKE

[75] Inventor: Ronald Pecoff, Escondido, Calif.

[73] Assignee: Pecoff Bros. Nursery & Seed, Inc., Escondido, Calif.

[**] Term: 14 Years

[21] Appl. No.: 609,354

[22] Filed: May 11, 1984

[52] U.S. Cl. D11/164; D6/495; D34/38

[58] Field of Search D11/155, 164; D24/32; D6/495; 47/39, 77, 84, 85; 206/563, 564, 423; D34/38; 211/74, 71; 108/51.1

[56] References Cited

U.S. PATENT DOCUMENTS

- D. 230,452 2/1974 Jennings D6/495
- D. 248,935 8/1978 Stutelberg et al. D11/155

- D. 258,145 2/1981 Potts D24/32
- D. 272,727 2/1984 Kaneko D11/155
- D. 282,798 3/1986 Doezema D6/495
- 1,169,674 1/1916 Pelton 47/85
- 3,760,534 9/1973 Choux et al. 47/39
- 4,050,188 9/1977 van Wingerden 47/85

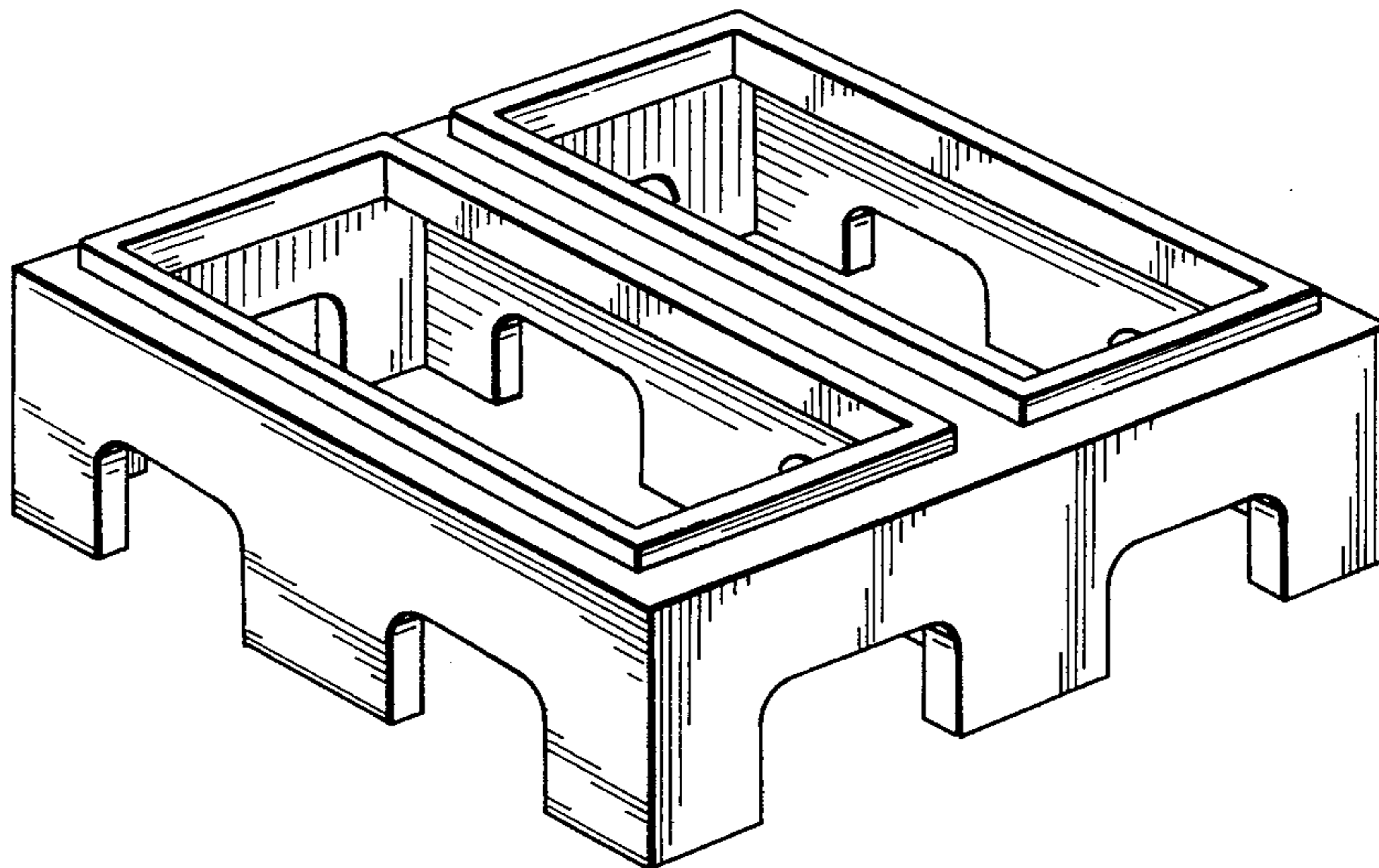
Primary Examiner—B. J. Bullock
Attorney, Agent, or Firm—Spensley, Horn, Jubas & Lubitz

[57] CLAIM

The ornamental design for a support for plant pot holders or the like, substantially as shown and described.

DESCRIPTION

FIG. 1 is a perspective view of a support for plant pot holders or the like showing my new design; FIG. 2 is a side view thereof, both sides being identical; FIG. 3 is a front view thereof, the rear being identical; FIG. 4 is a top view thereof; FIG. 5 is a bottom view thereof.



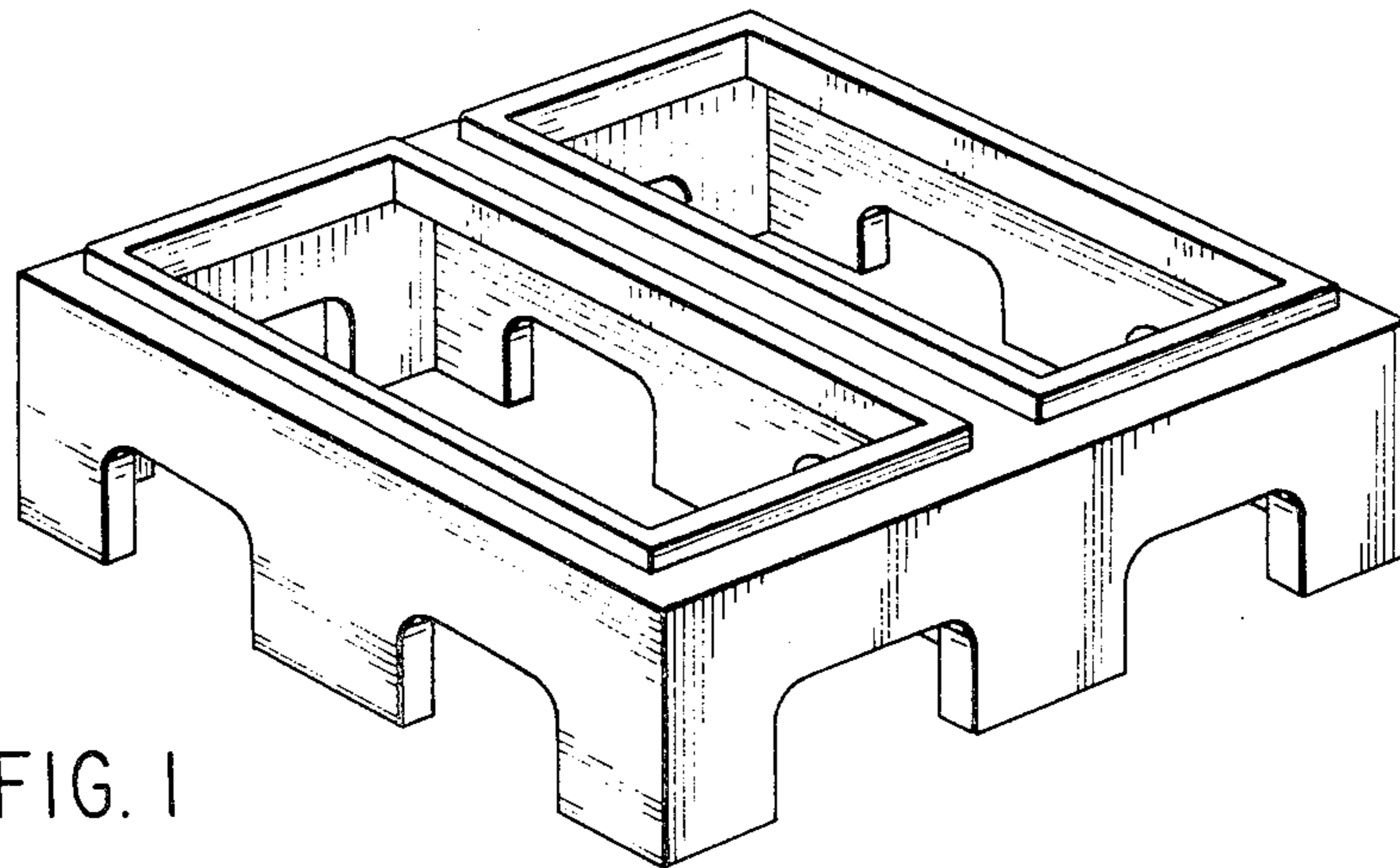


FIG. 1

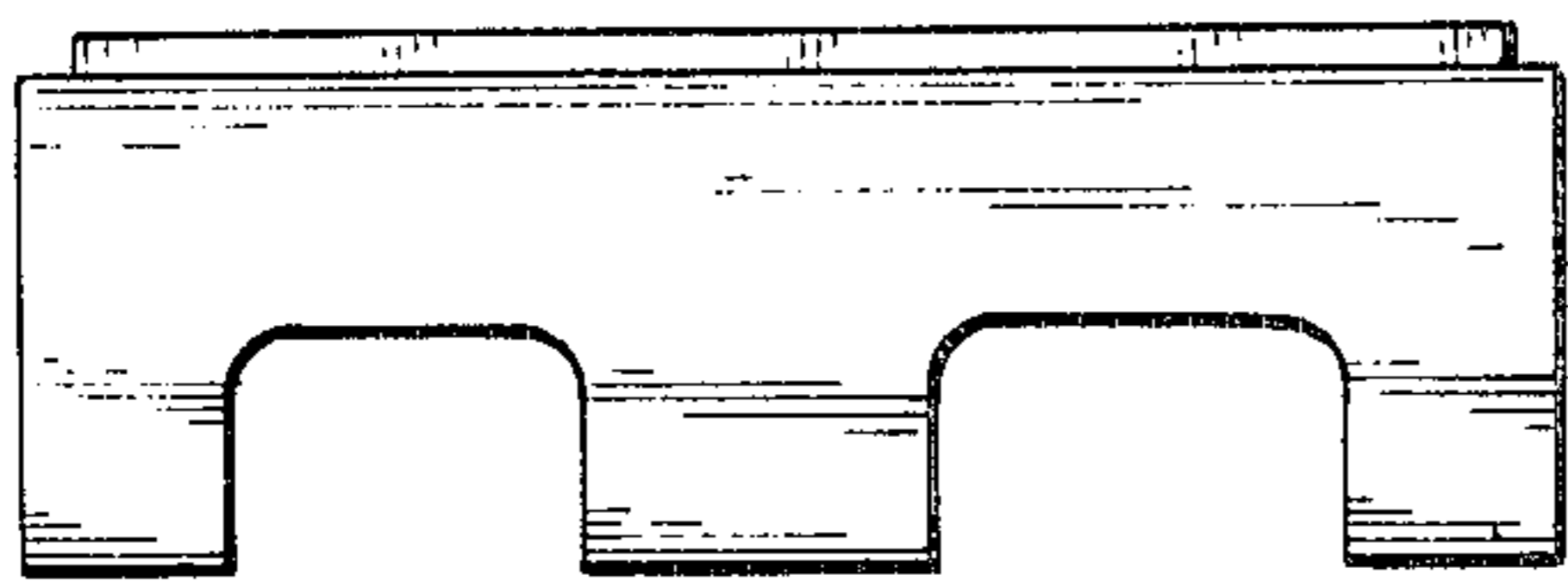


FIG. 2

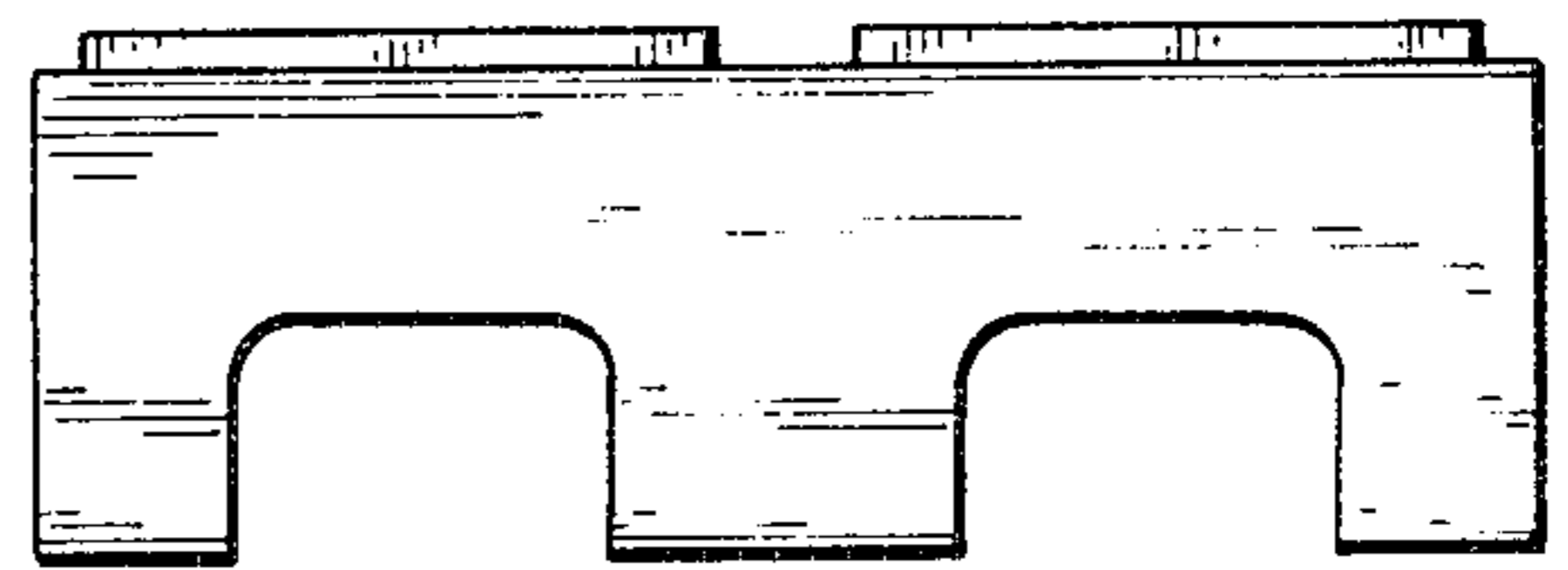


FIG. 3

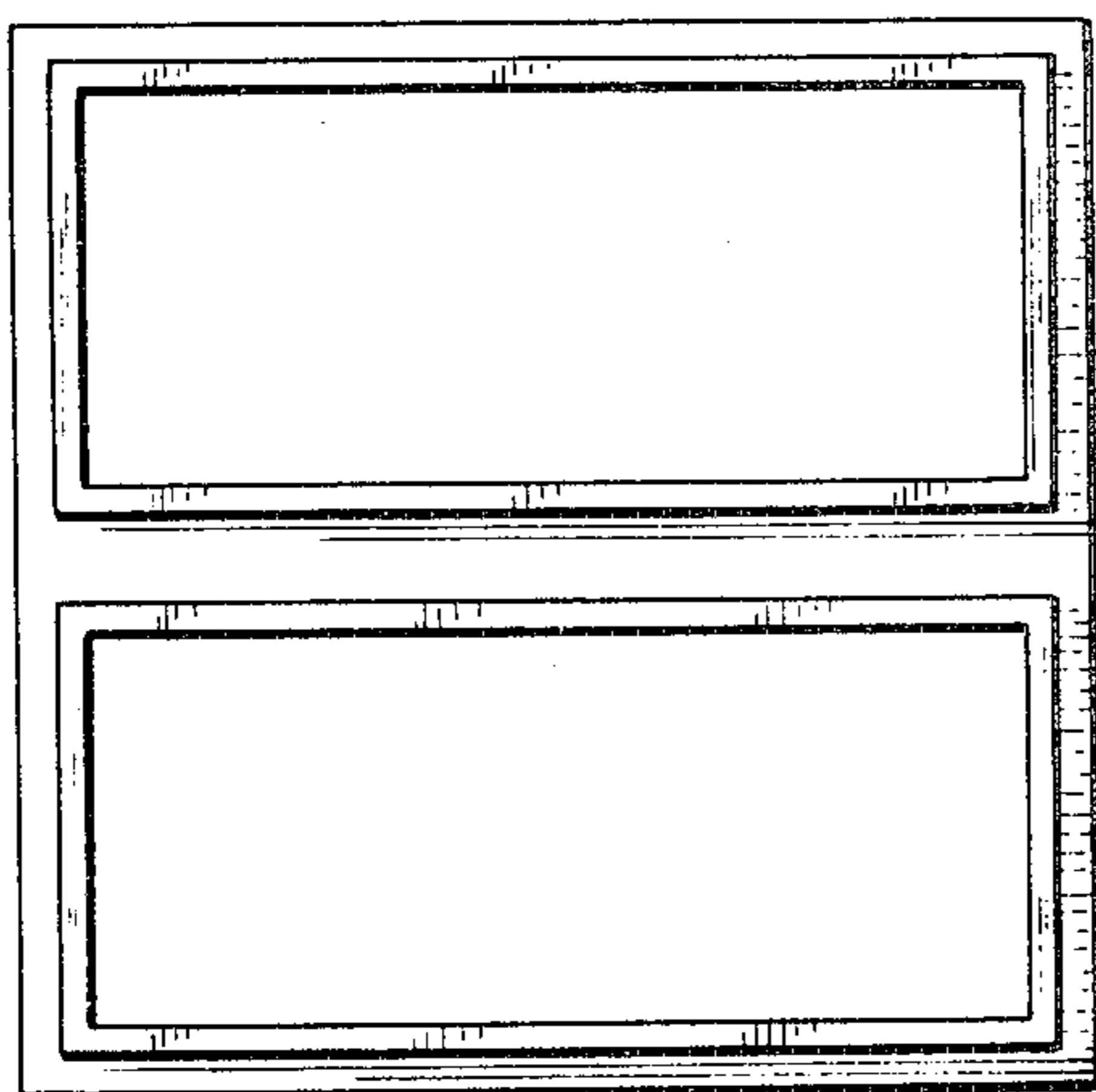


FIG. 4

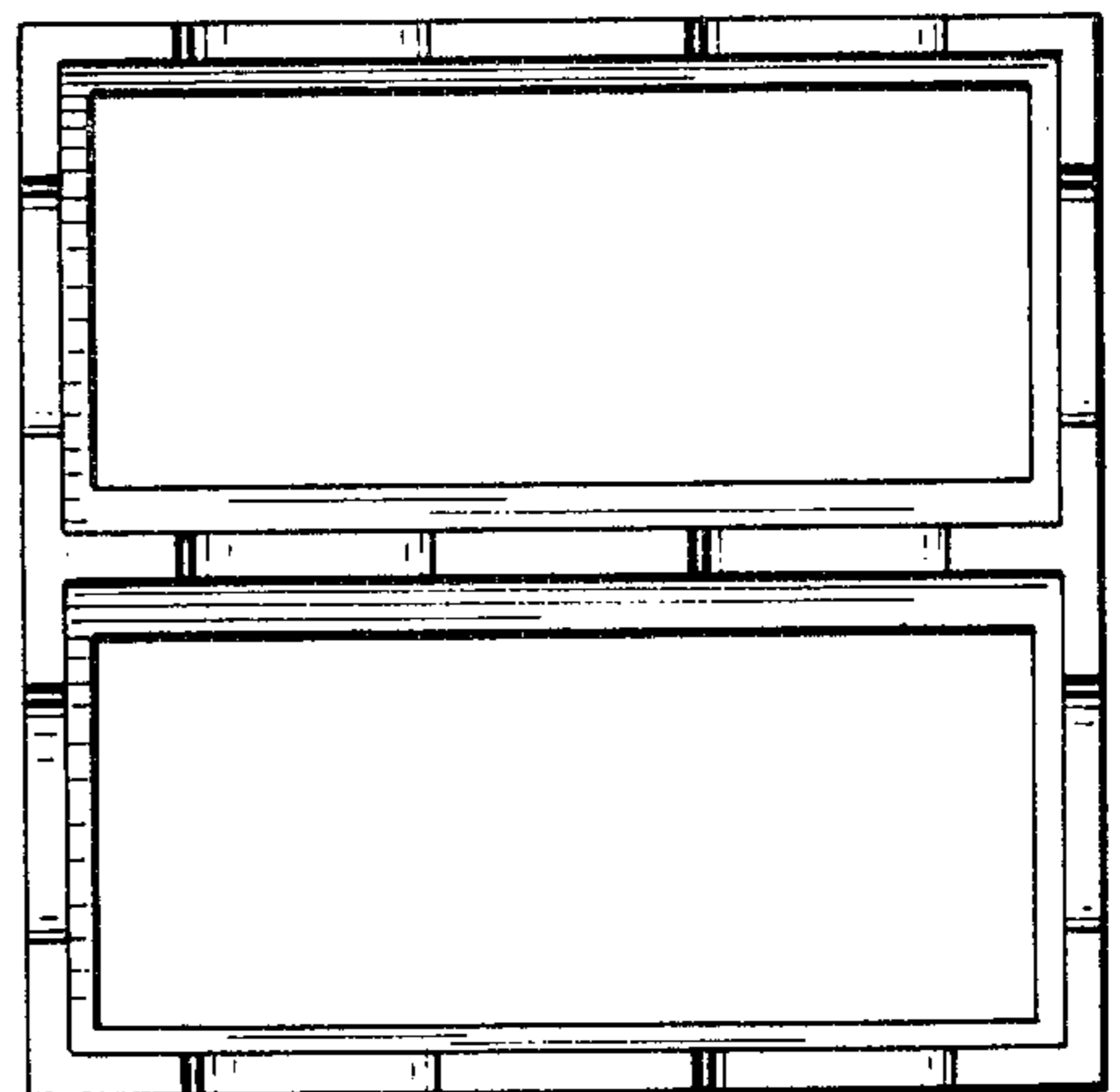


FIG. 5