

[54] **MILK WEIGHING CONTAINER**

[75] Inventors: **Rolf W. Reisgies; Larry G. Larson,**  
both of Waunakee, Wis.

[73] Assignee: **Germania Dairy Automation, Inc.,**  
Waunakee, Wis.

[\*\*] Term: **14 Years**

[21] Appl. No.: **656,949**

[22] Filed: **Oct. 2, 1984**

[52] U.S. Cl. .... **D10/94; D9/371;**  
**D23/2; D30/99**

[58] Field of Search ..... **D10/87-94;**  
**73/61 R; 119/14.05, 14.06, 14.17; 177/262, 148;**  
**D9/371; D23/2; D30/99**

[56] **References Cited**

**U.S. PATENT DOCUMENTS**

D. 29,171	8/1898	Packham	.....	D9/371
D. 40,188	7/1909	Crane	.....	D23/2
D. 158,050	4/1950	Clarke	.....	D7/77
1,121,069	12/1914	Cockburn	.....	119/14.06
1,223,334	4/1917	Wielert	.....	119/14.17
1,535,541	4/1925	Noble	.....	119/14.17 X
2,631,566	3/1953	Roop	.....	119/14.17 X

2,853,050	9/1958	Golay	.....	119/14.05 X
3,289,633	12/1966	Simons	.....	119/14.17 X
3,532,074	10/1970	Svensson	.....	119/14.05
3,599,607	8/1971	Wallick	.....	119/14.17

**FOREIGN PATENT DOCUMENTS**

95906	5/1963	Denmark	.....	119/14.17
2837325	3/1980	Fed. Rep. of Germany	.....	177/262
0022136	2/1980	Japan	.....	177/262
197806	7/1977	Netherlands	.....	119/14.05

*Primary Examiner*—Nelson C. Holtje

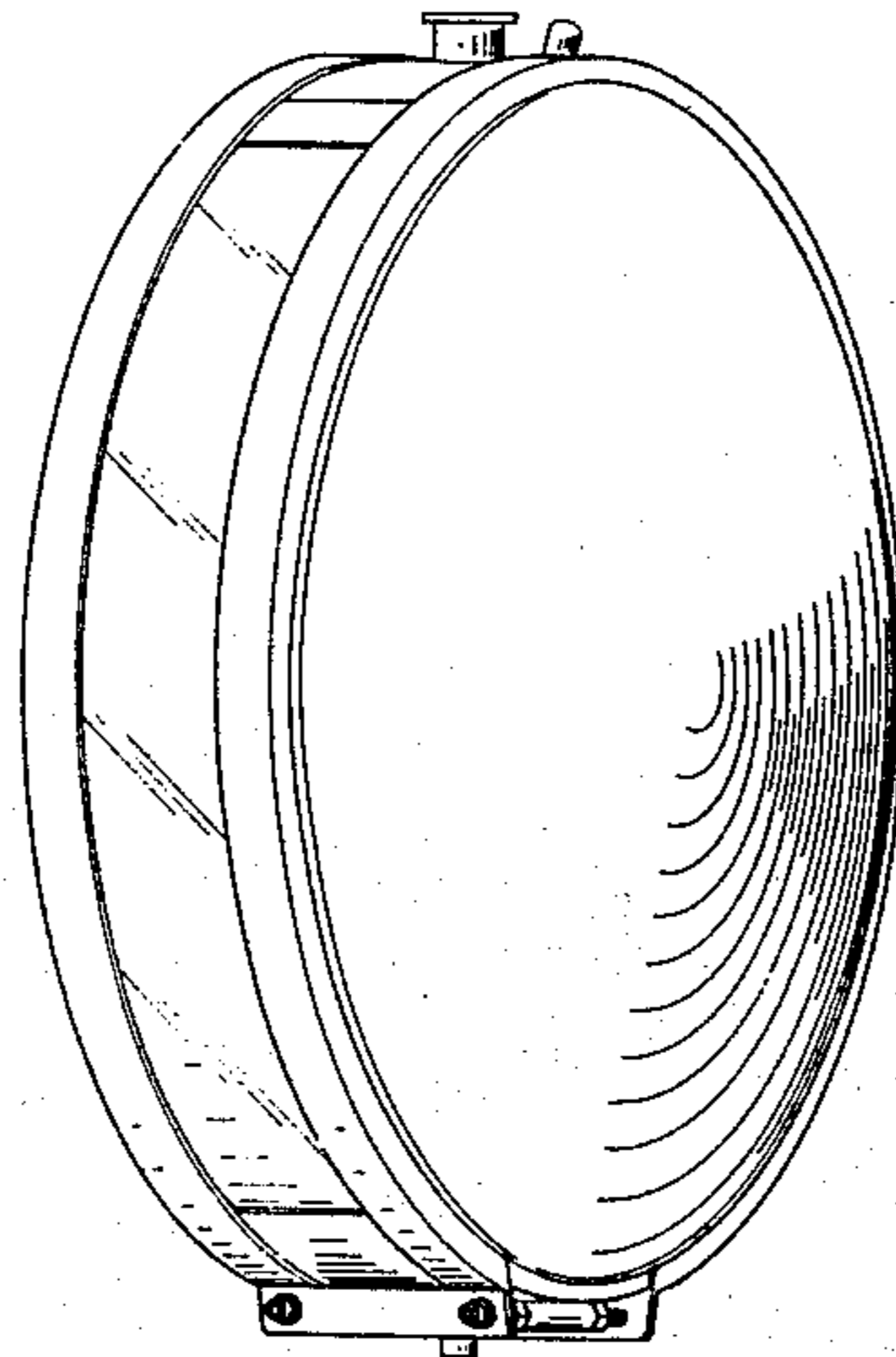
*Attorney, Agent, or Firm*—Isaksen, Lathrop, Esch, Hart & Clark

[57] **CLAIM**

The ornamental design for a milk weighing container, as shown and described.

**DESCRIPTION**

FIG. 1 is a right rear perspective view of a milk weighing container showing our new design;  
 FIG. 2 is a front elevational view thereof.  
 FIG. 3 is a rear elevational view thereof.  
 FIG. 4 is a left side elevational view thereof.  
 FIG. 5 is a right side elevational view thereof.  
 FIG. 6 is a top plan view thereof;  
 FIG. 7 is a bottom plan view thereof.



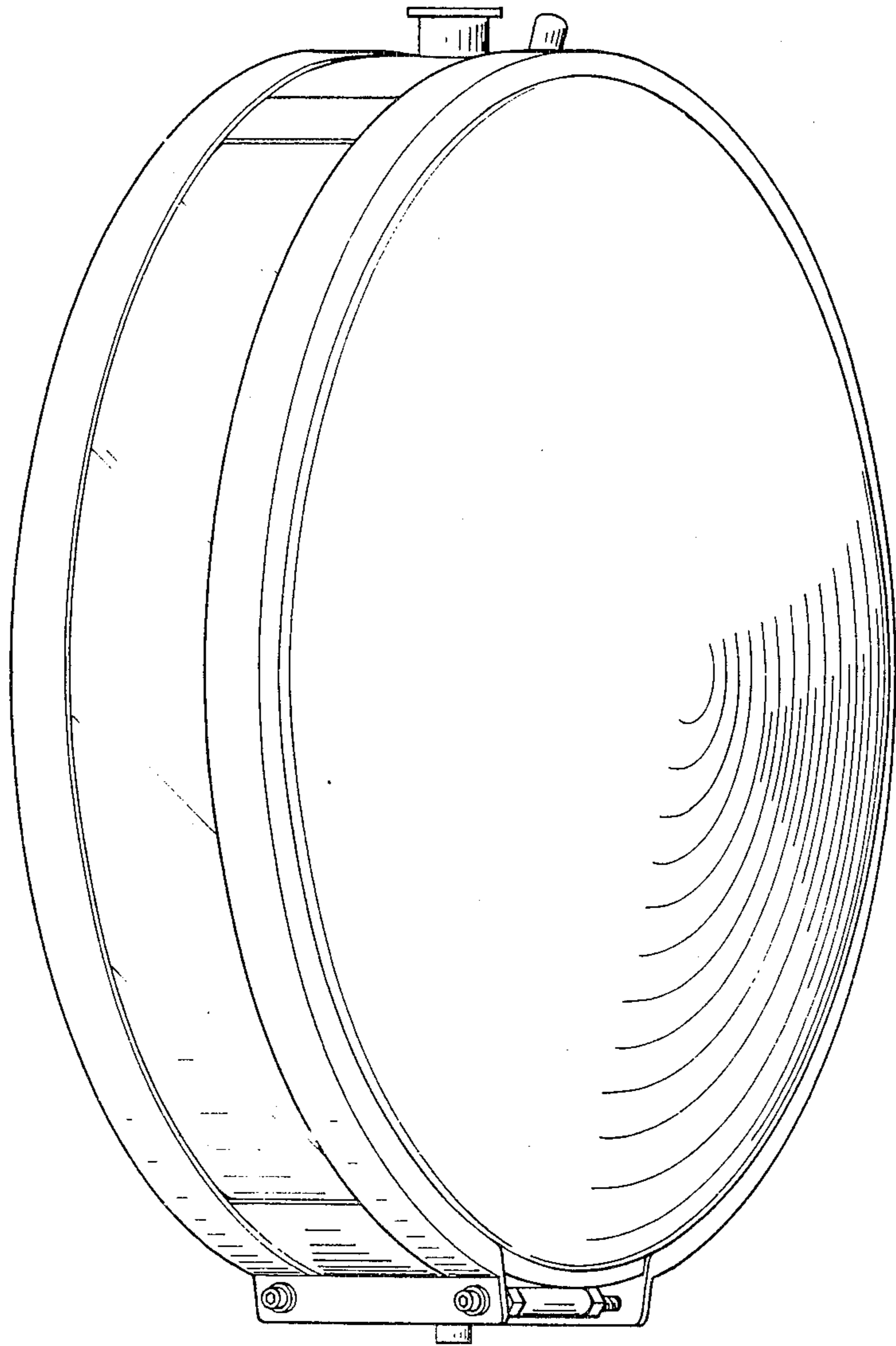


FIG. 1

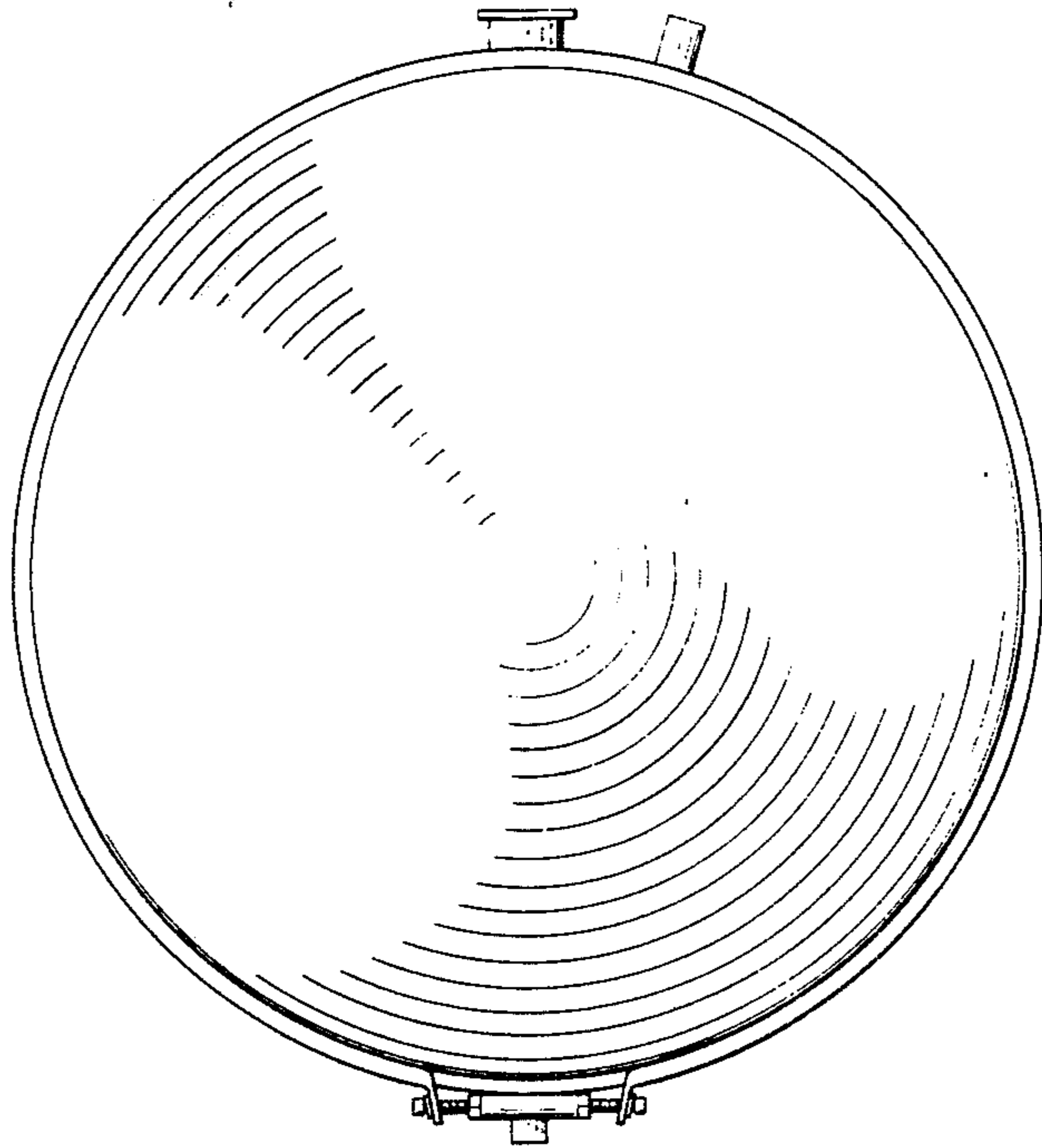


FIG. 2

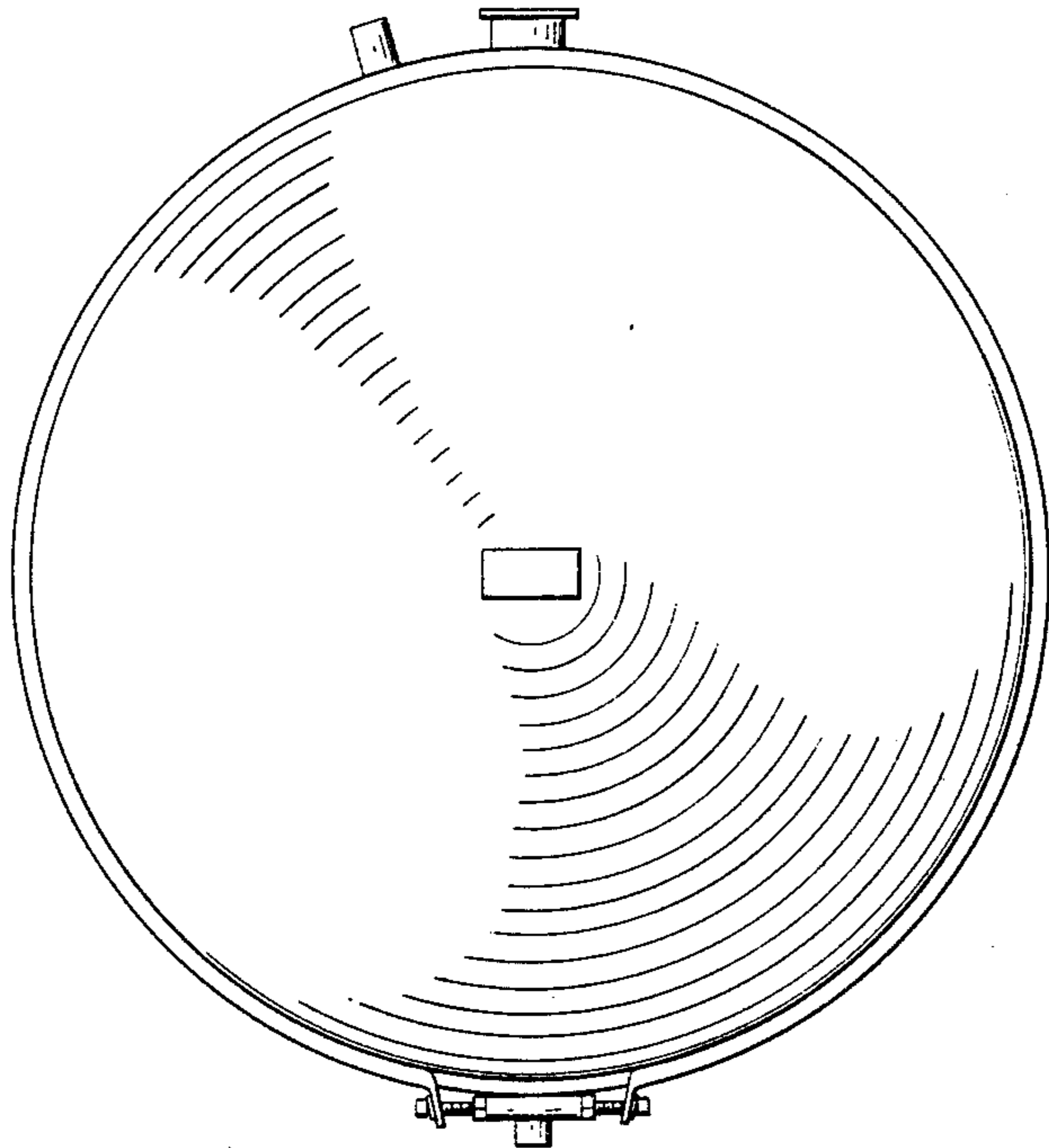


FIG. 3

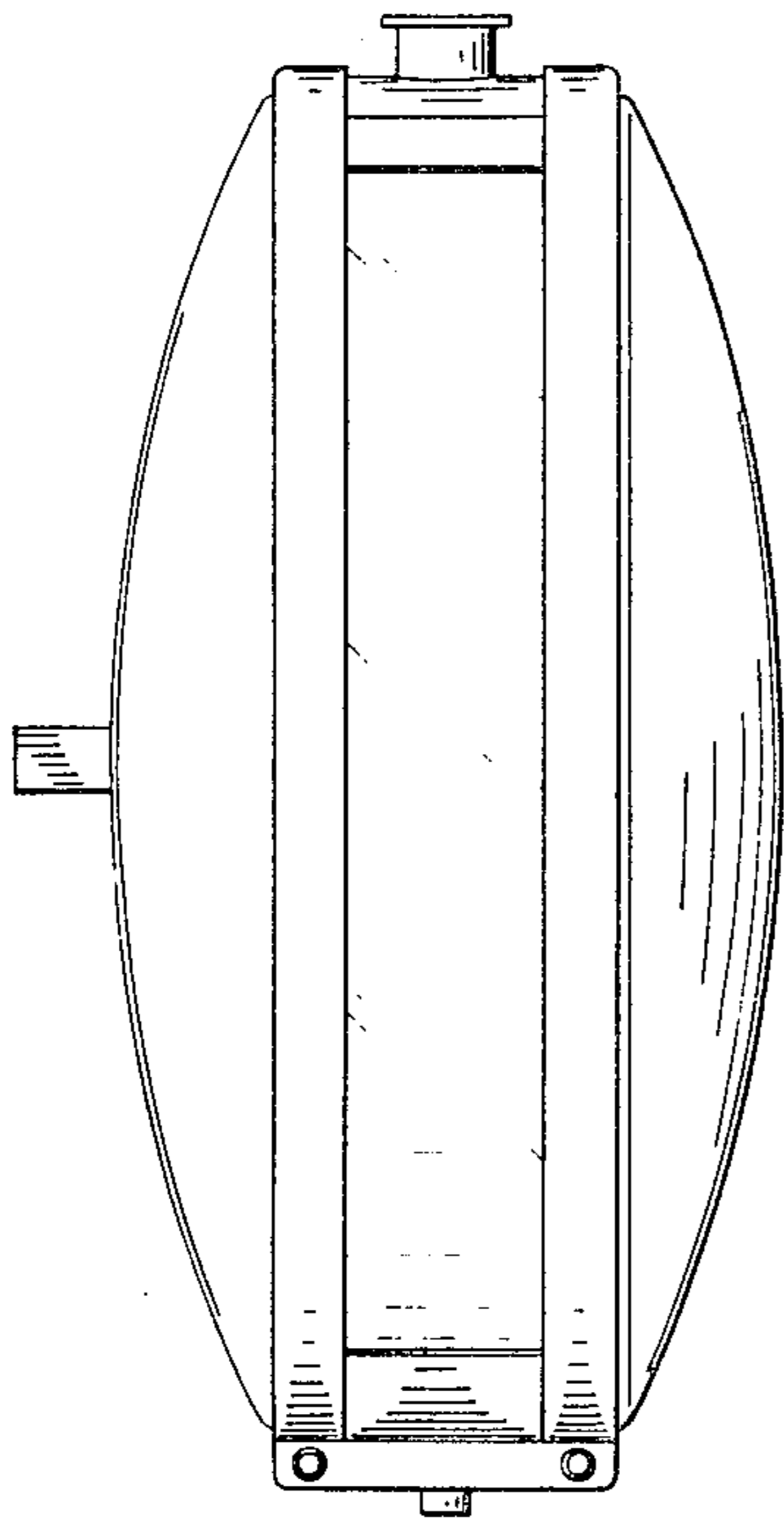


FIG. 4

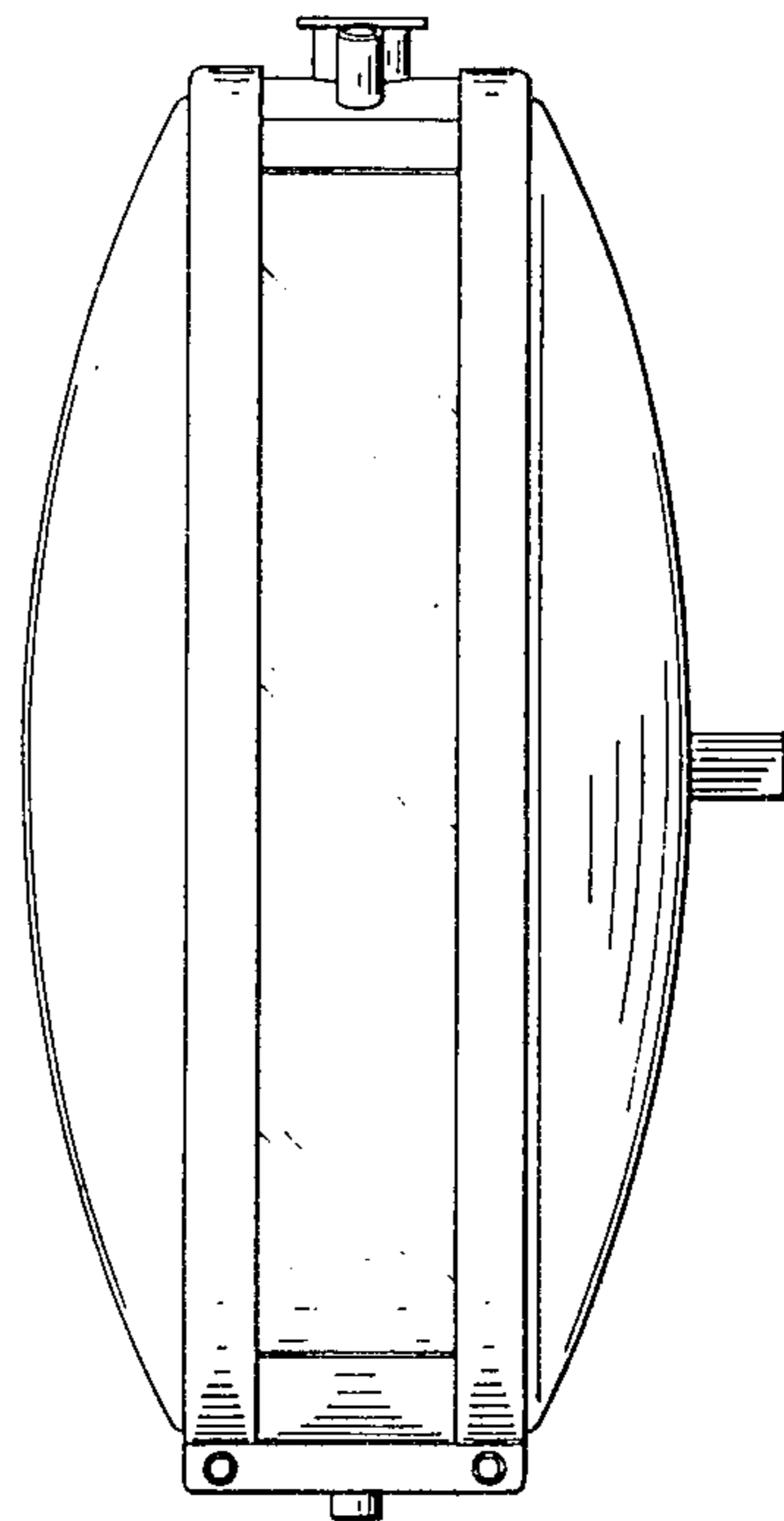


FIG. 5

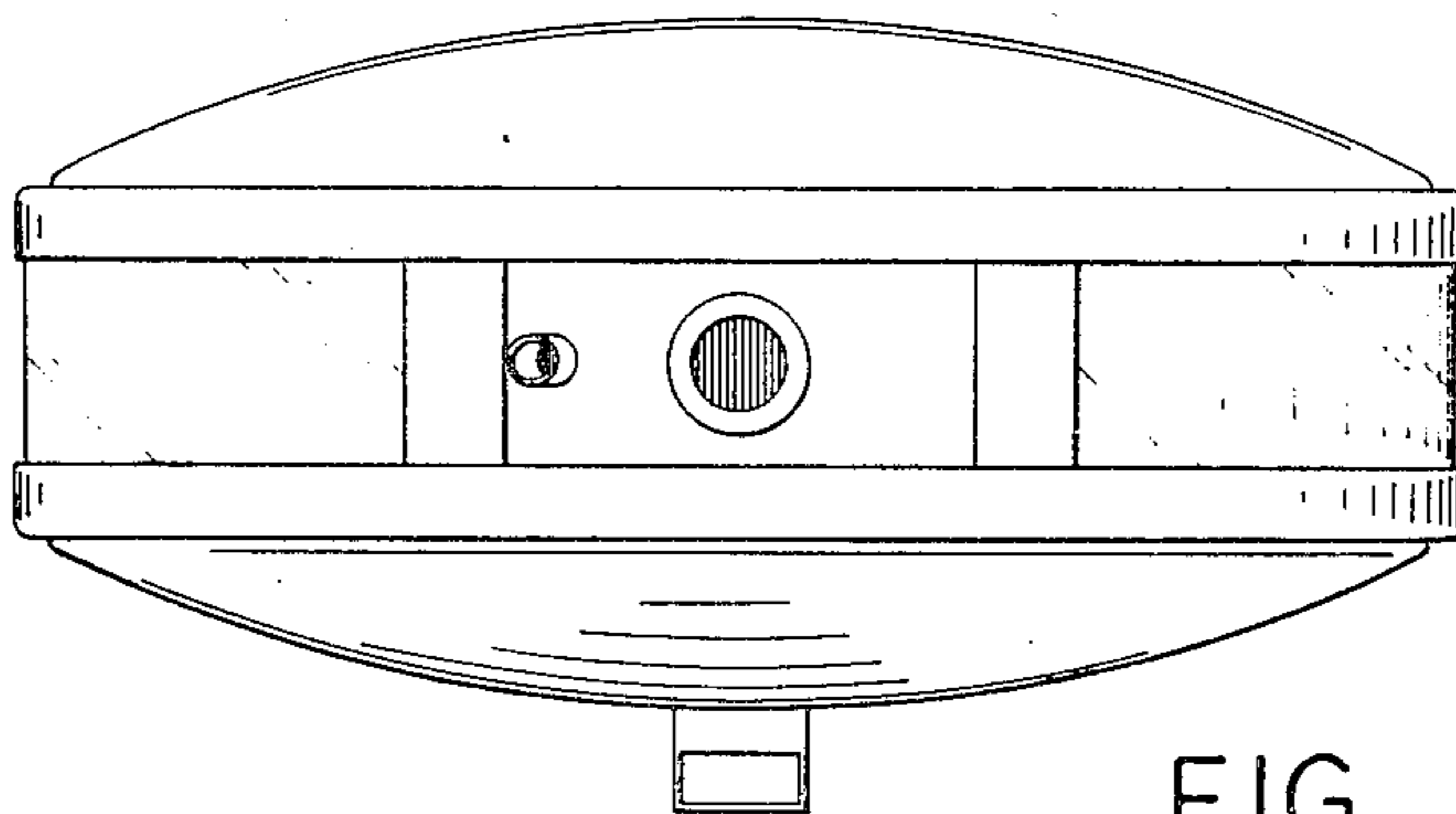


FIG. 6

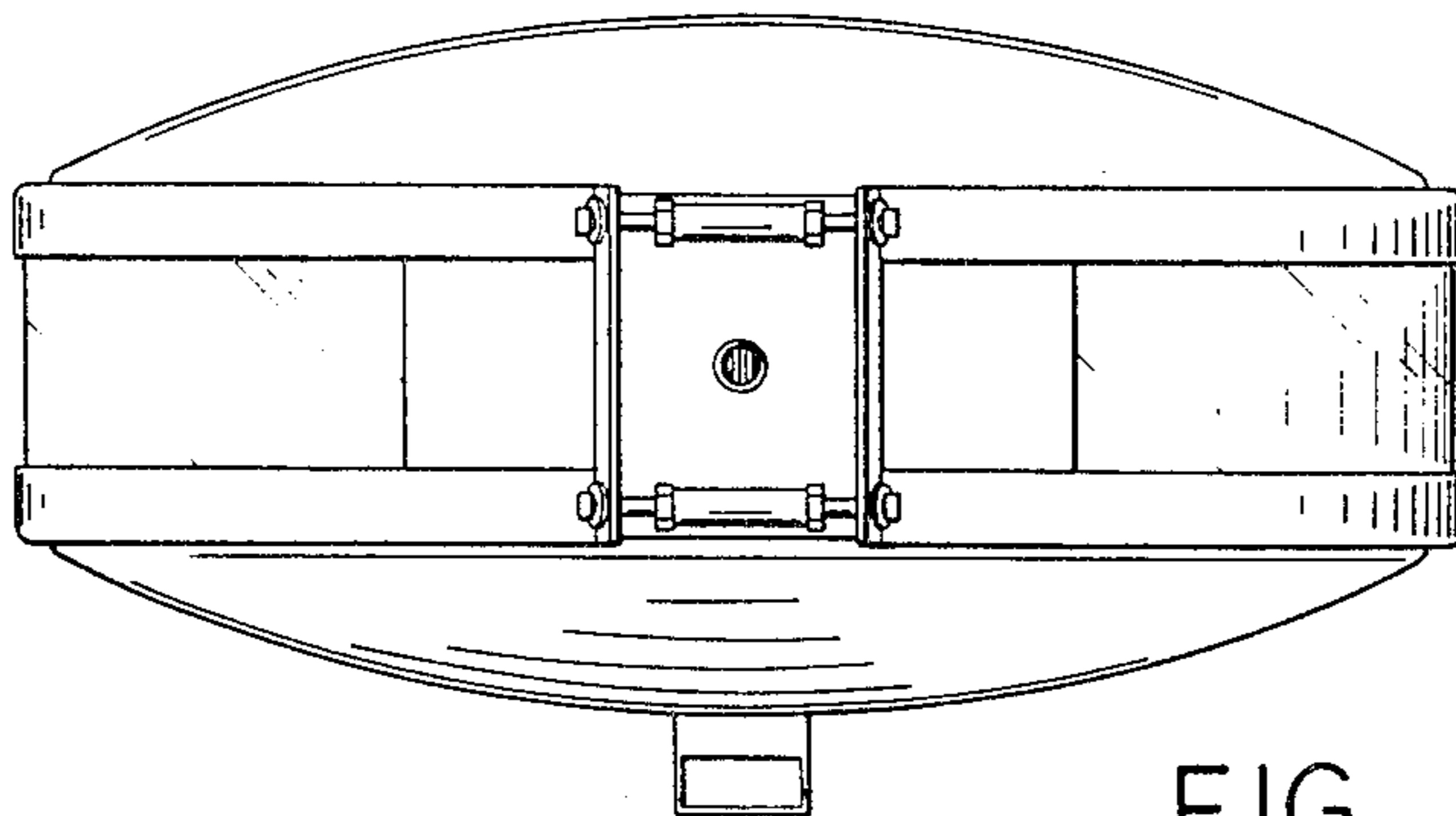


FIG. 7