

[54] **EXTRACTION VACUUM MANIFOLD**

[75] **Inventors:** George D. Wachob, State College;  
Robert W. Rightnour, Mingoville,  
both of Pa.

[73] **Assignee:** Supelco, Inc., Bellefonte, Pa.

[\*\*] **Term:** 14 Years

[21] **Appl. No.:** 857,801

[22] **Filed:** Apr. 28, 1986

[52] **U.S. Cl.** ..... D10/81; D10/81;  
D10/103

[58] **Field of Search** ..... D10/46, 81, 103, 76;  
55/386, 67; 141/65; 422/70; 220/420;  
210/198.3, 94, 656, 658, 659; D24/1.1, 8, 29, 32

[56] **References Cited**

**U.S. PATENT DOCUMENTS**

- D. 109,217 4/1938 Jones .
- D. 142,227 8/1945 Newman .
- D. 186,661 11/1959 Baldwin ..... D10/81
- D. 209,776 1/1968 Kutz .
- D. 211,359 6/1968 Salsgiver .
- D. 226,847 5/1973 King ..... D10/46 X.
- D. 238,887 2/1976 O'Neal et al. .
- D. 266,151 9/1982 Dawson .
- D. 266,913 11/1982 Hazelton .
- D. 270,902 10/1983 Felton .
- T986,008 9/1979 Gordon ..... 210/198.3

- 3,265,214 8/1966 Brodsky ..... 210/198.3
- 3,266,554 8/1966 Brownrigg ..... 210/198.3 X
- 3,342,333 9/1967 Geiss ..... 210/198.3 X
- 3,535,086 10/1970 Baitsholts ..... 210/198.3 X
- 4,065,384 12/1977 Pandey ..... 210/198.3 X
- 4,141,833 2/1979 Cummins ..... 210/198.3
- 4,272,381 6/1981 Kremer ..... 210/198.3 X
- 4,346,001 8/1982 Tyihak ..... 210/658 X

**OTHER PUBLICATIONS**

Supelco, Inc. Catalog 24 (1986) p. 187.  
J. T. Baker Chemical Company Catalog, pp. 16-18.

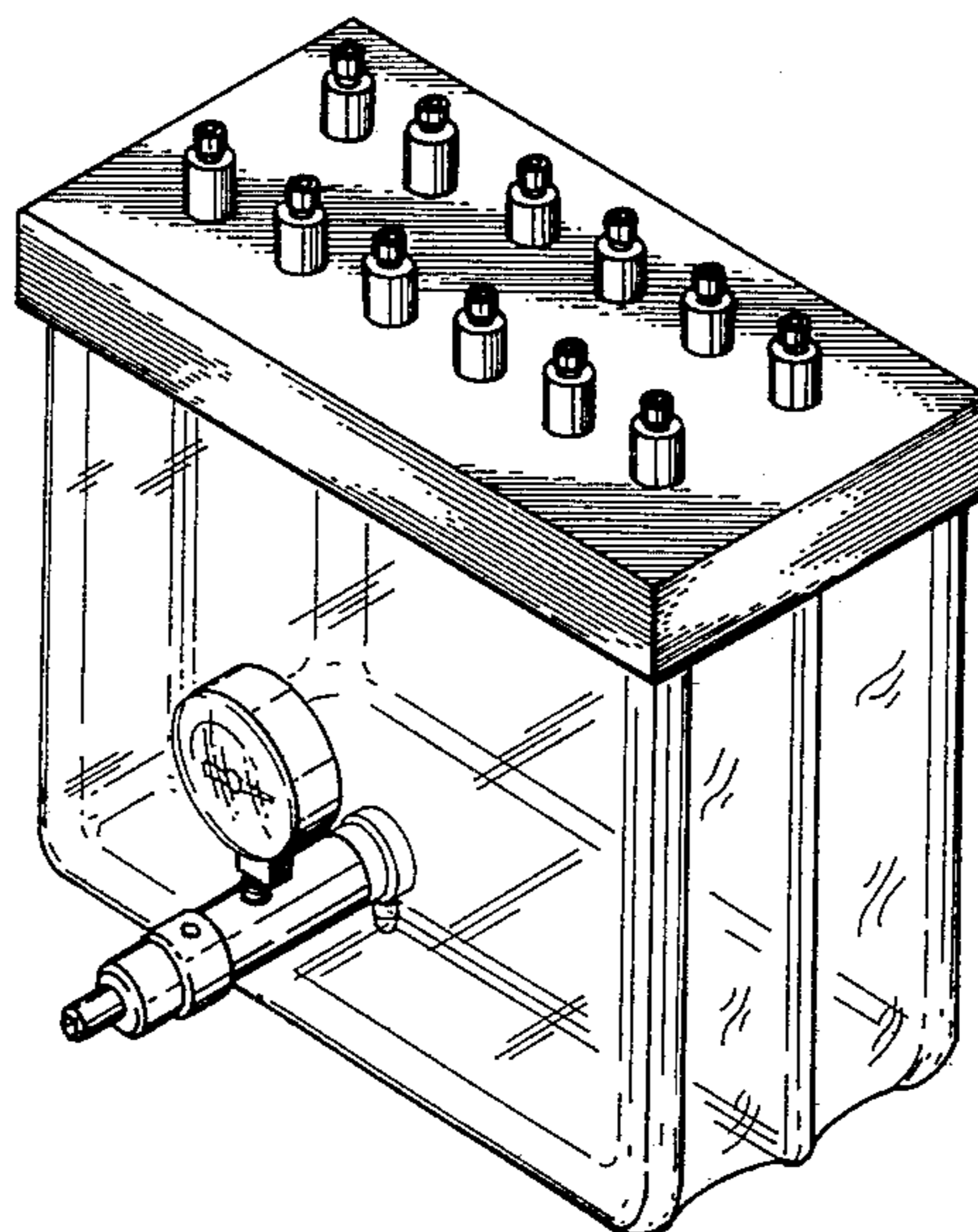
*Primary Examiner*—Nelson C. Holtje  
*Attorney, Agent, or Firm*—Louis F. Kline, Jr.

[57] **CLAIM**

The ornamental design for an extraction vacuum manifold, as shown and described.

**DESCRIPTION**

FIG. 1 is a front elevational view of an extraction vacuum manifold showing my new design;  
FIG. 2 is a top plan view thereof;  
FIG. 3 is a bottom plan view thereof;  
FIG. 4 is a rear elevational view thereof;  
FIG. 5 is a right side elevational view thereof, the left side being a mirror image thereto;  
FIG. 6 is a top and right front perspective view of another embodiment of our new design of FIGS. 1-5, wherein the sole difference is that the base plate support is omitted.



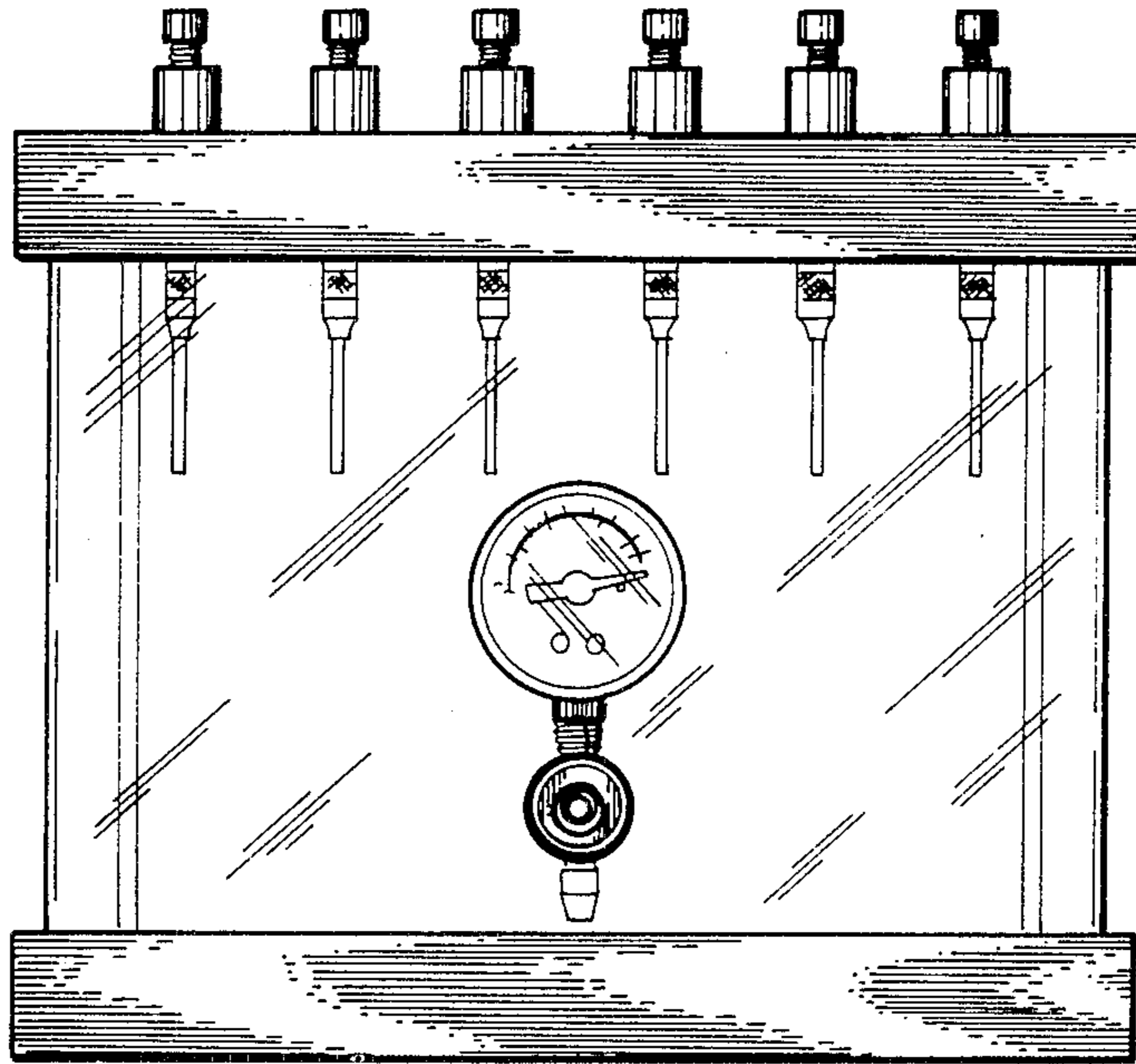


FIG. 1

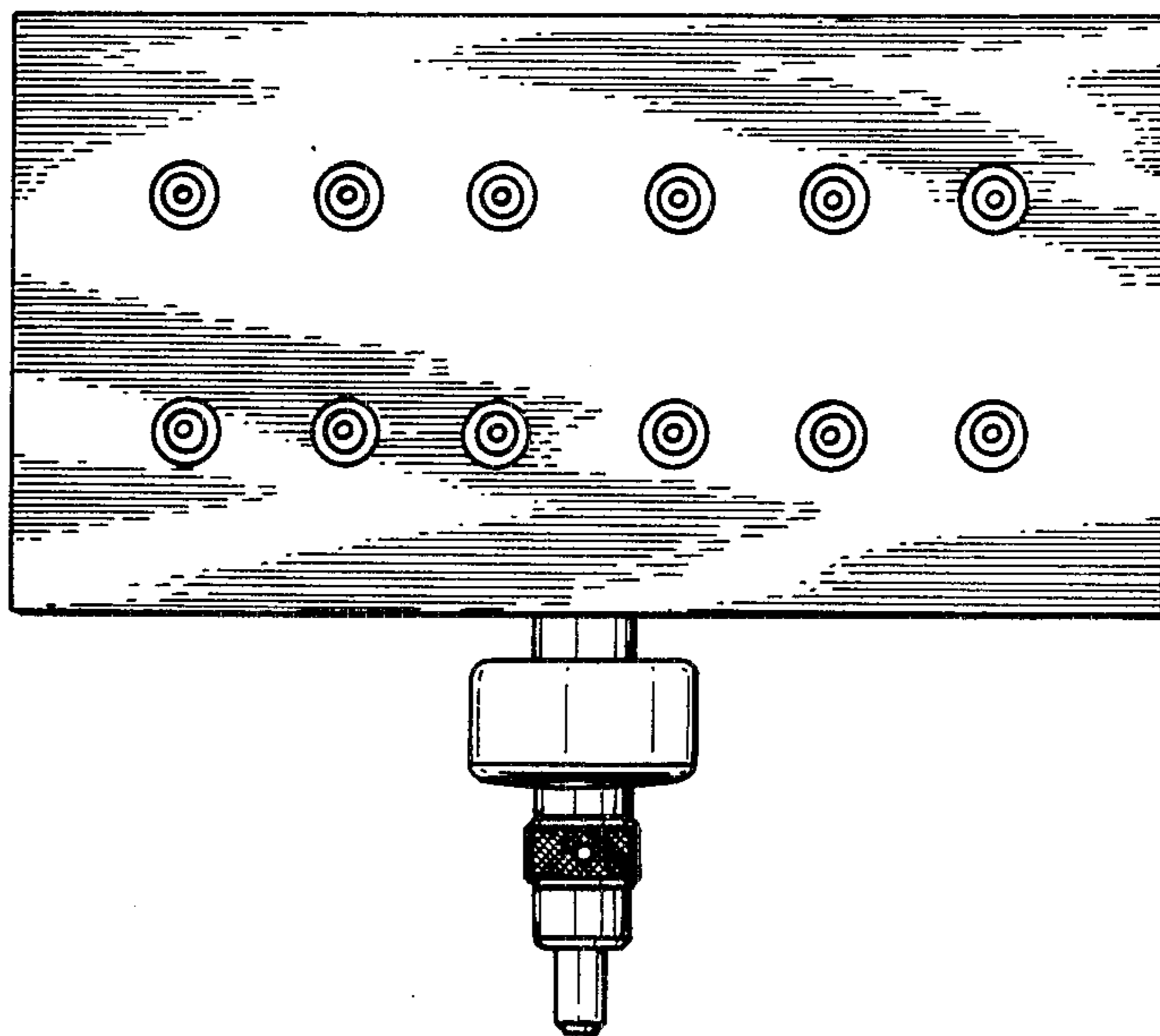


FIG. 2

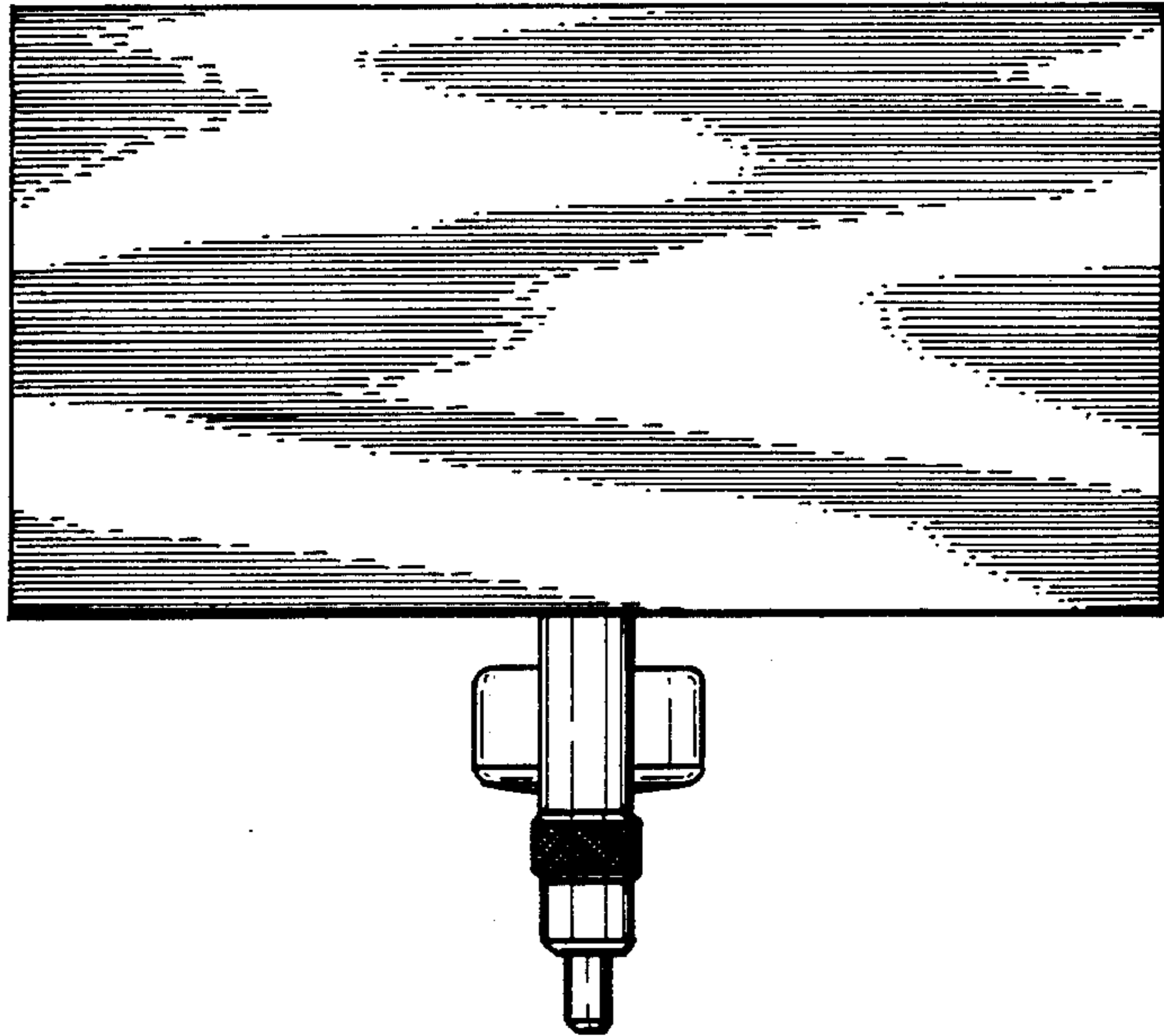


FIG. 3

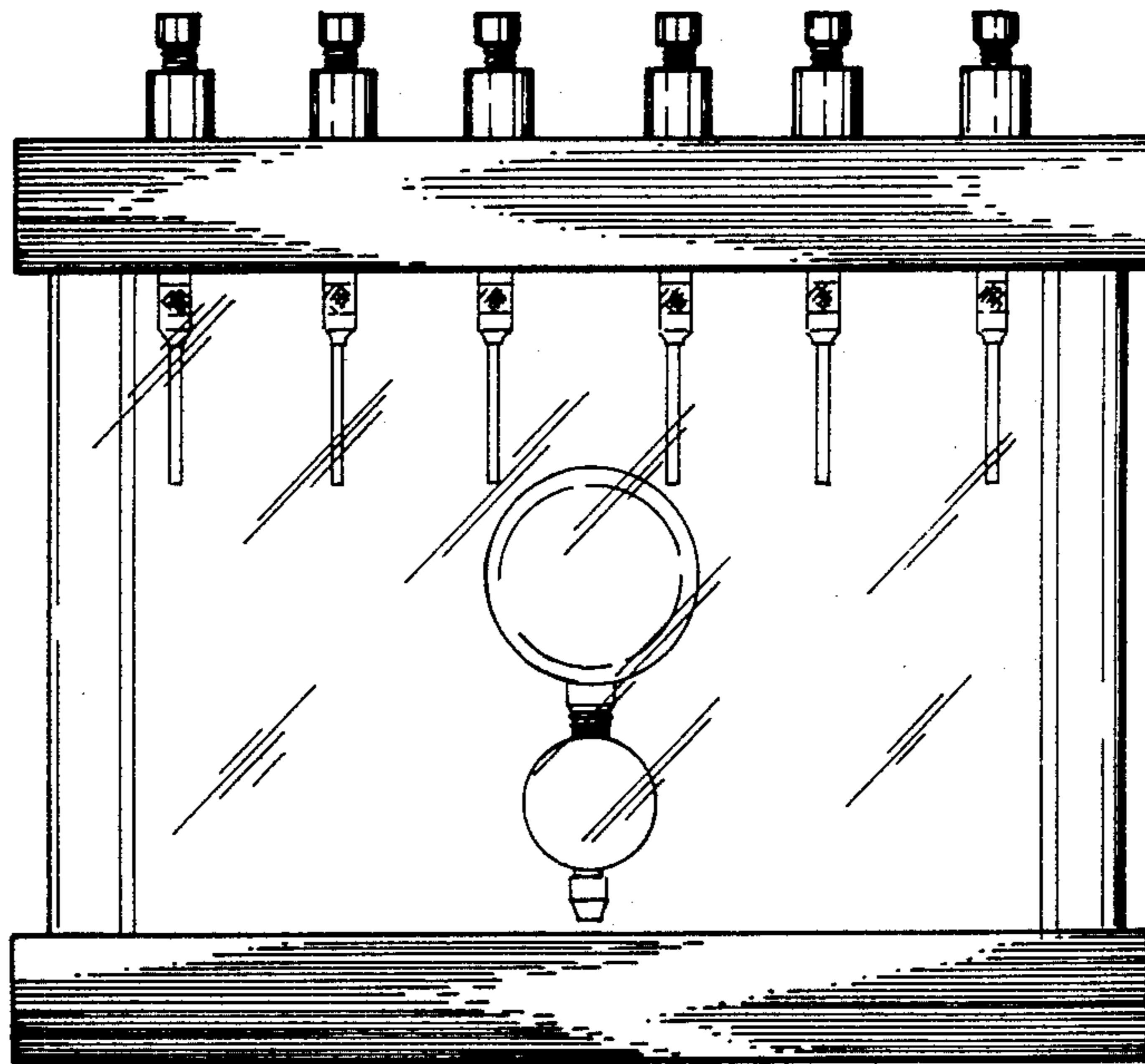


FIG. 4



FIG. 5

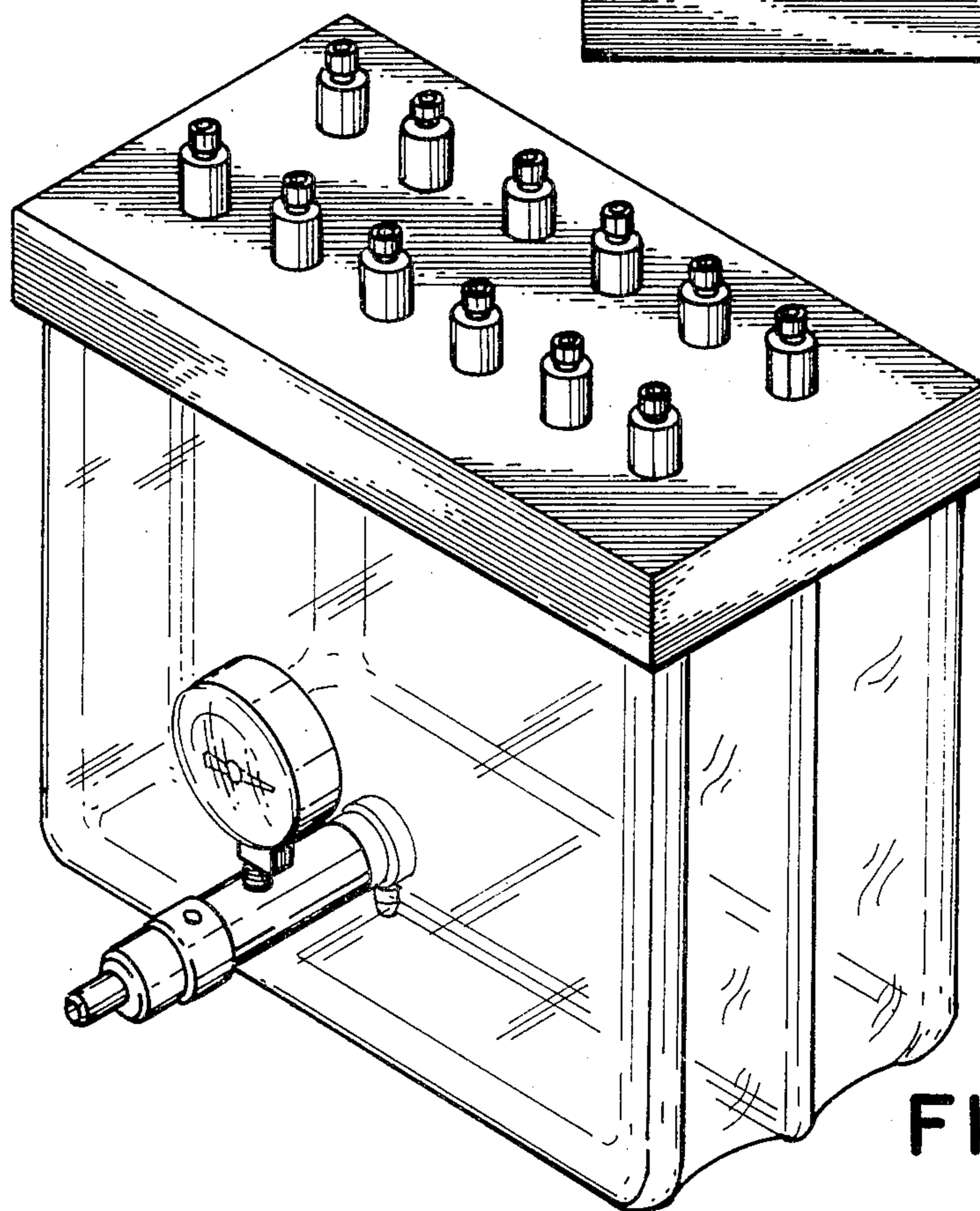
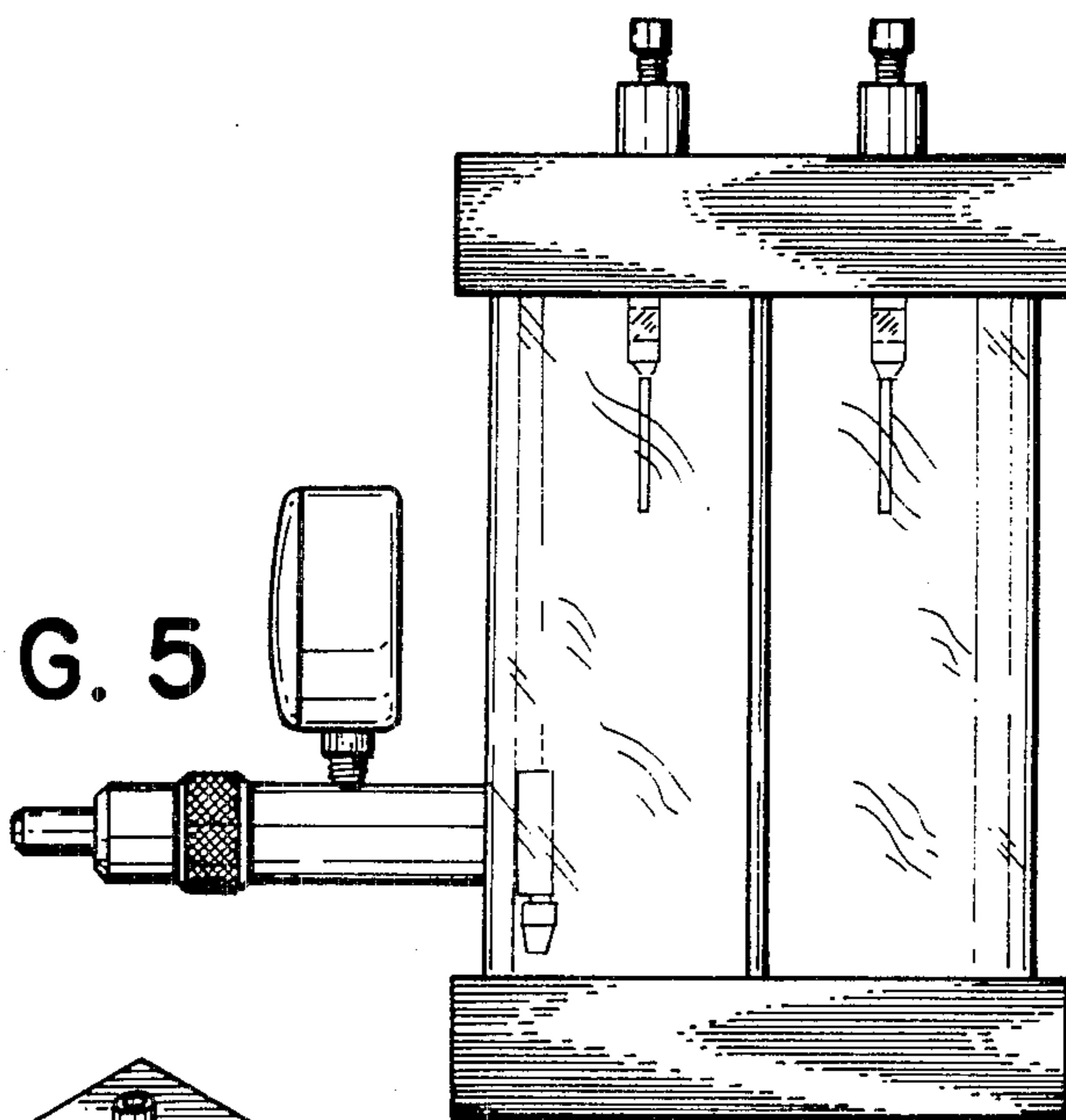


FIG. 6