

[54] LOCKING APPARATUS FOR SLIDING WINDOWS AND DOORS

4,304,429 12/1981 Gist 292/258

[76] Inventor: Marion A. Gist, Rte. 1, Box 110, Bandon, Oreg. 97411

FOREIGN PATENT DOCUMENTS

1433246 2/1966 France 292/258

[**] Term: 14 Years

Primary Examiner—B. J. Bullock
Assistant Examiner—Brian N. Vinson
Attorney, Agent, or Firm—Francis X. LoJacono

[21] Appl. No.: 588,770

[57] CLAIM

[22] Filed: Mar. 12, 1984

The ornamental design for a locking apparatus for sliding windows and doors, as shown.

[52] U.S. Cl. D8/330

[58] Field of Search D8/330-331, D8/333, 337-339, 341, 343, 400, 402; 292/252, 256, DIG. 20, DIG. 46, 257, 258; 70/19, 25-26, 38 R, 87-90, 95, DIG. 11, 128-132, 163

DESCRIPTION

[56] References Cited

U.S. PATENT DOCUMENTS

1,239,105	9/1917	Horikawa	292/DIG. 20
2,644,709	7/1953	Diesel	292/258
2,775,001	12/1956	Baker	292/DIG. 20
3,205,982	9/1965	Chimienti	D8/400 X
4,103,948	8/1978	Naka	292/256
4,169,617	10/1979	Koeneman et al.	292/256

FIG. 1 is a top plan view of a locking apparatus for sliding windows and doors, showing my new design; FIG. 2 is a front elevational view thereof; FIG. 3 is a bottom plan view thereof; FIG. 4 is a right side elevational view thereof; FIG. 5 is a rear elevational view thereof; FIG. 6 is a left side elevational view thereof; and FIG. 7 is a top perspective view thereof, with the broken-line showing of the portion of the window being for illustrative purposes only and forming no part of the claimed design.

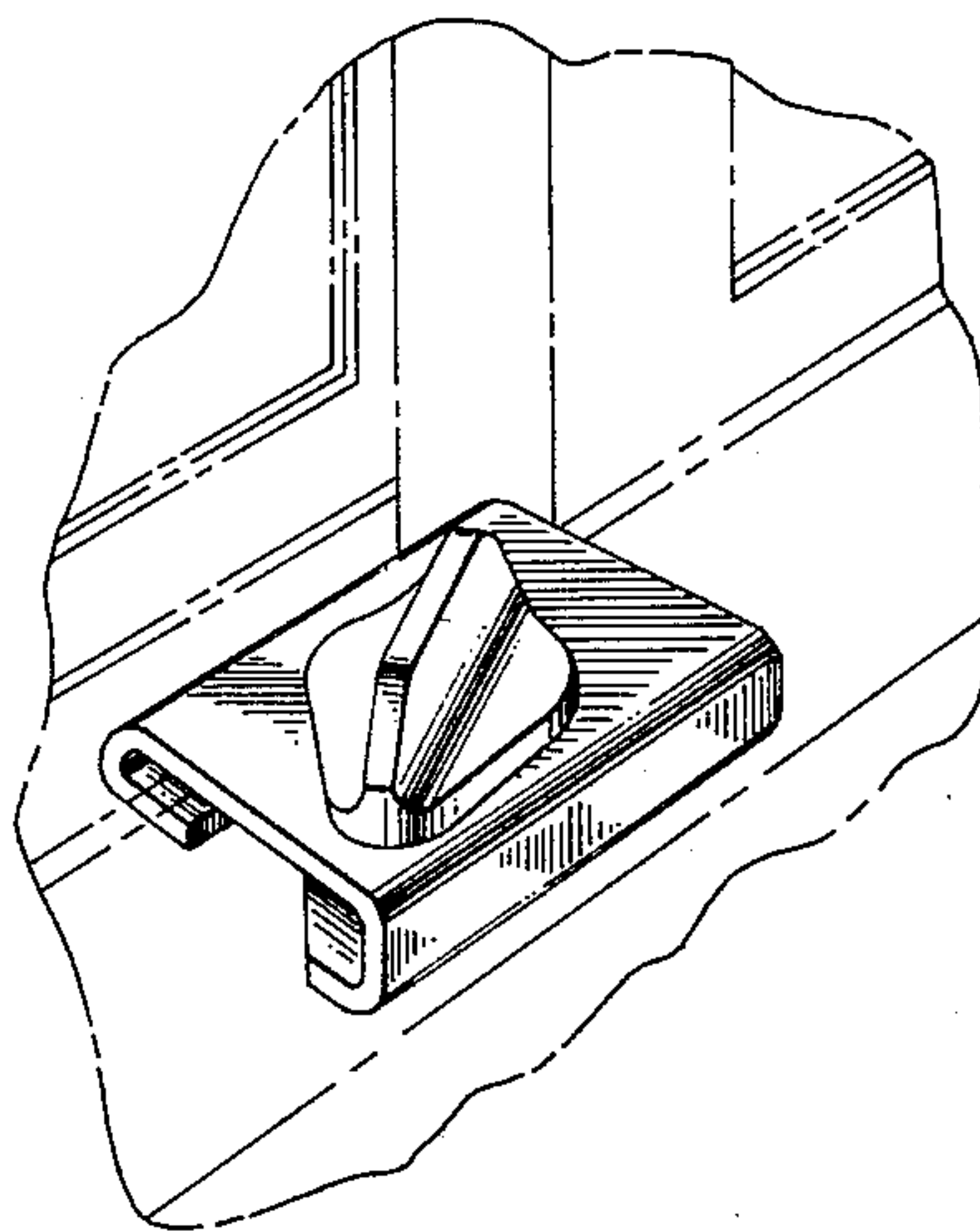


FIG. 1

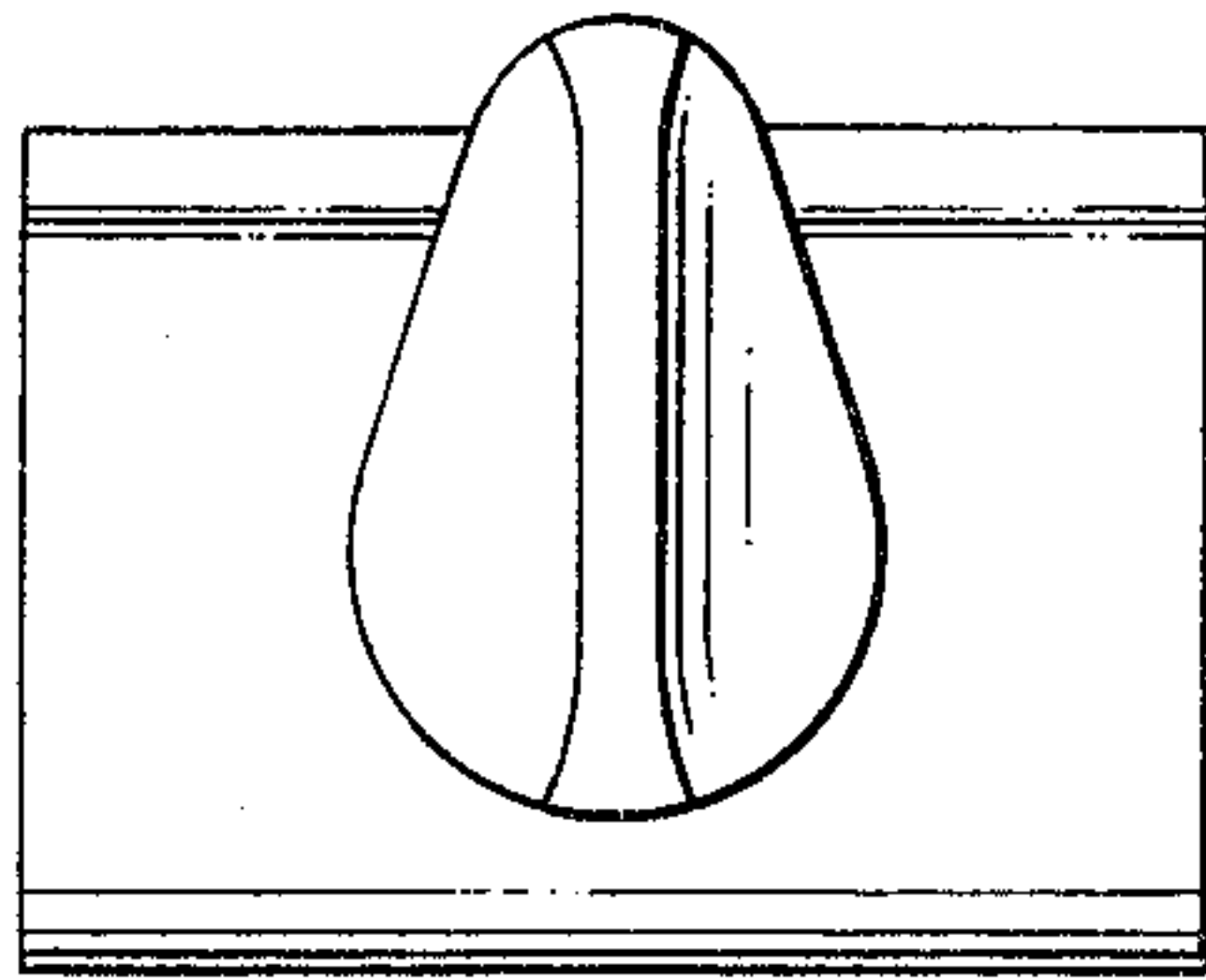


FIG. 4

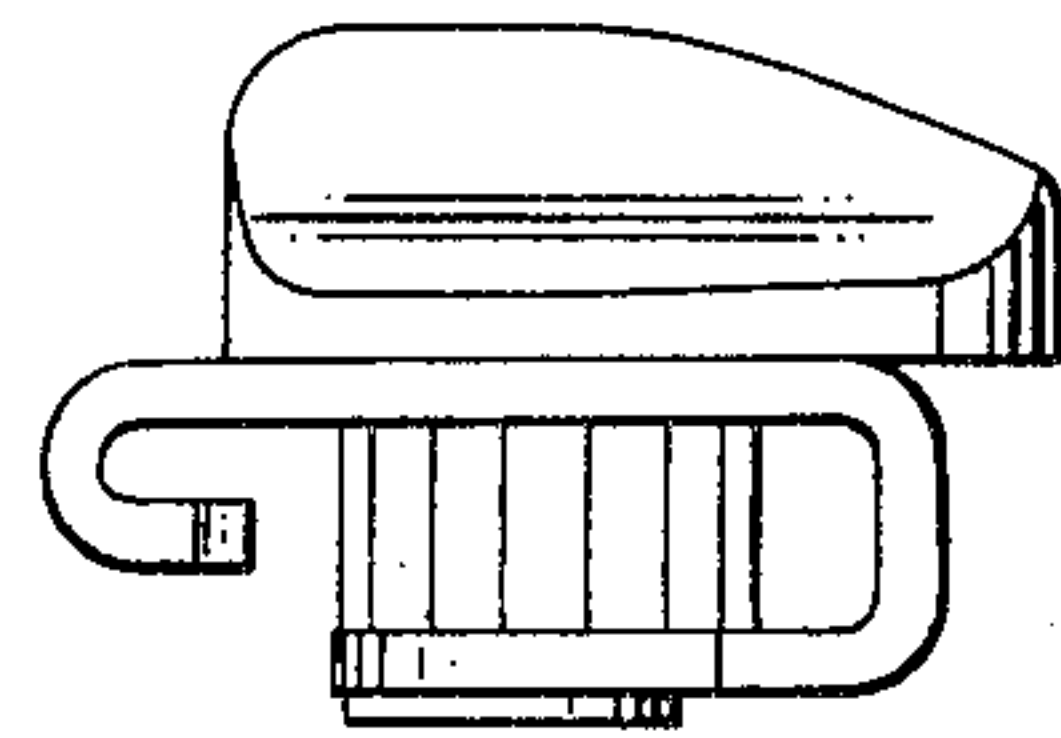


FIG. 2

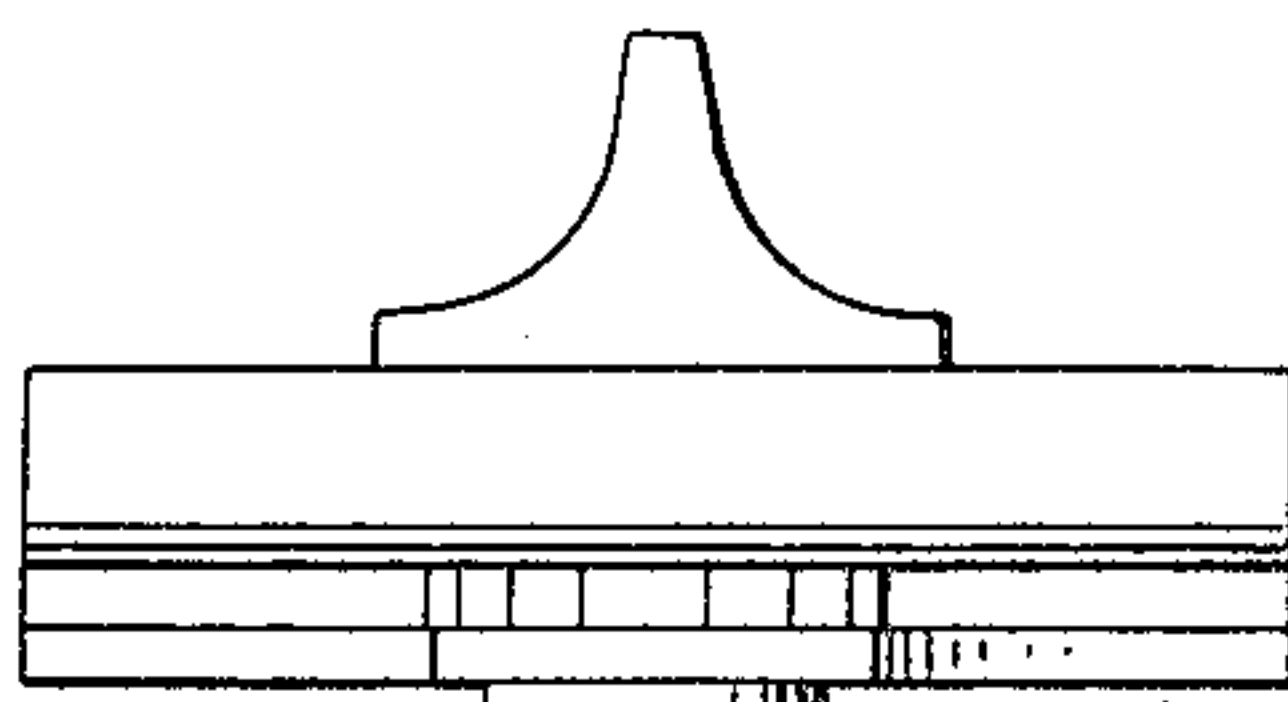


FIG. 5

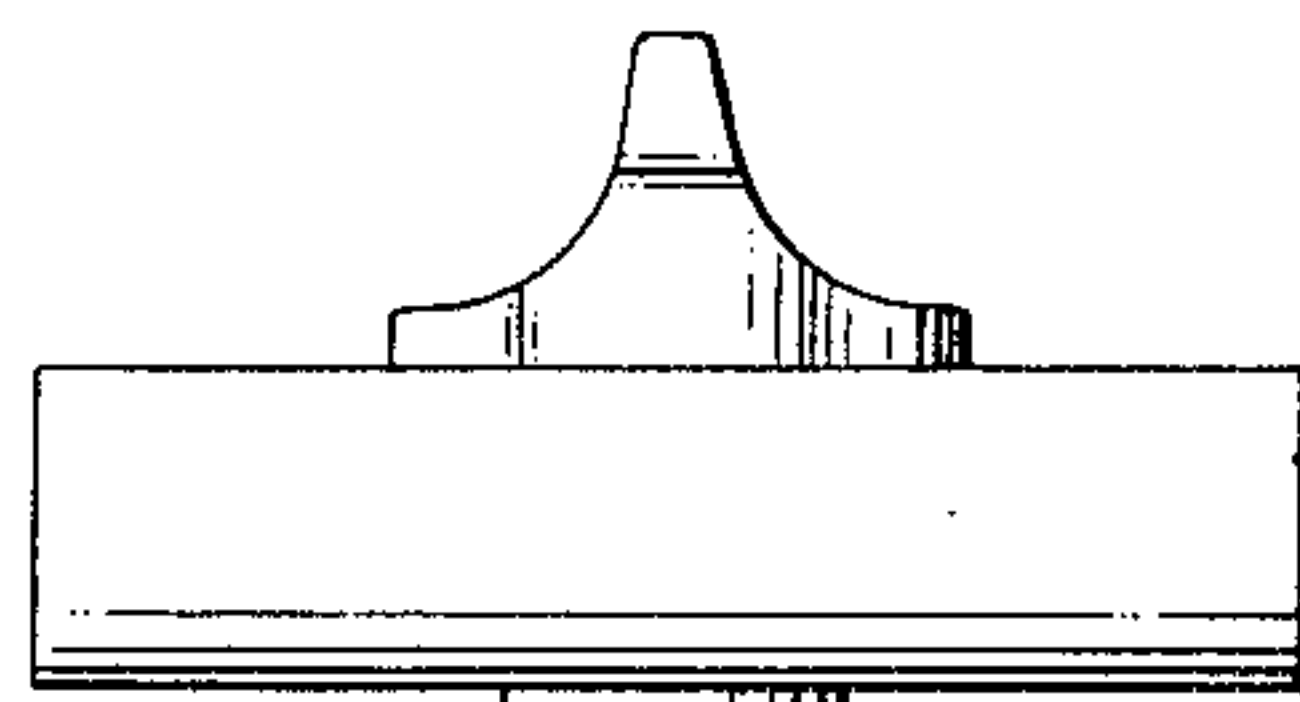


FIG. 3

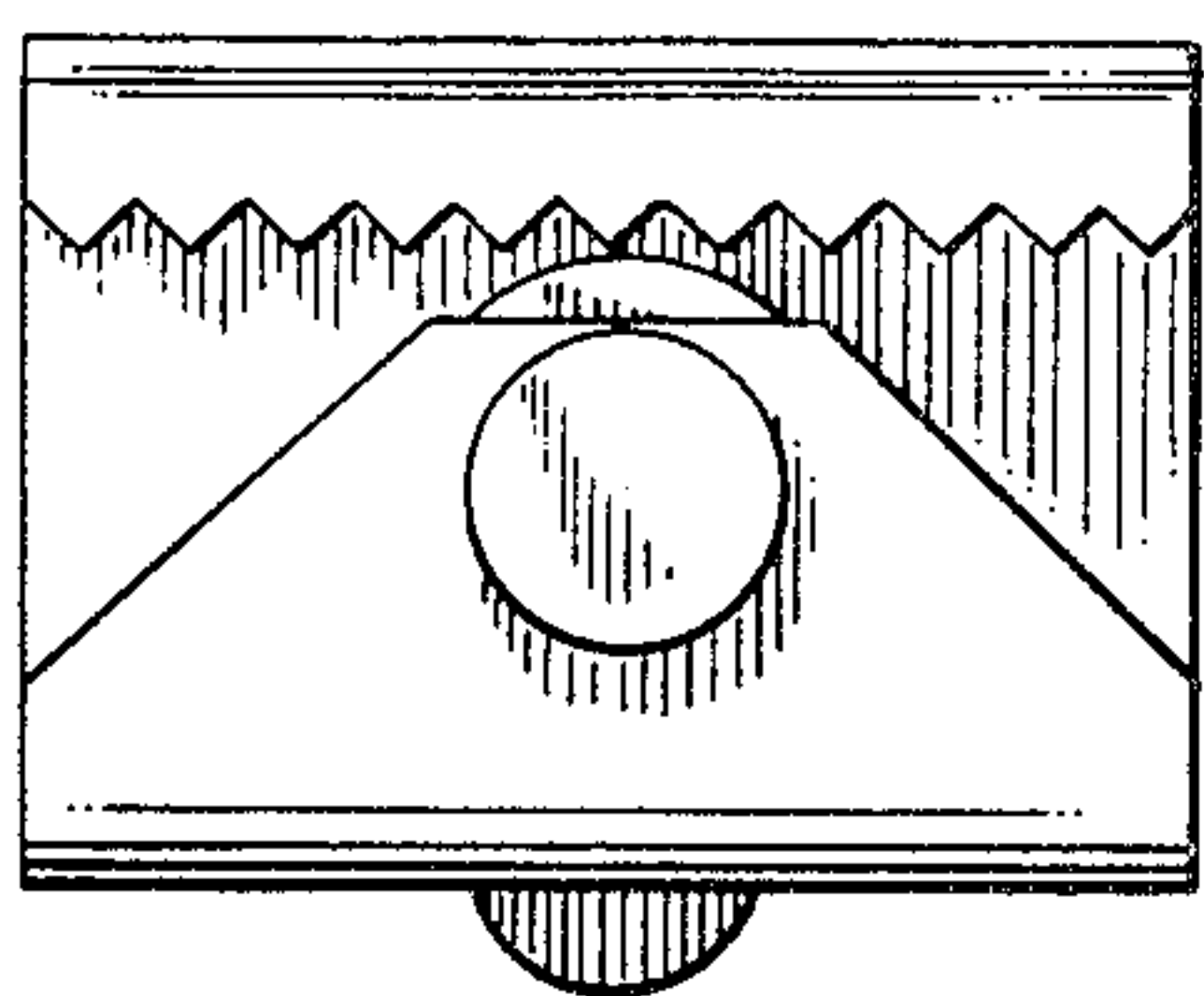
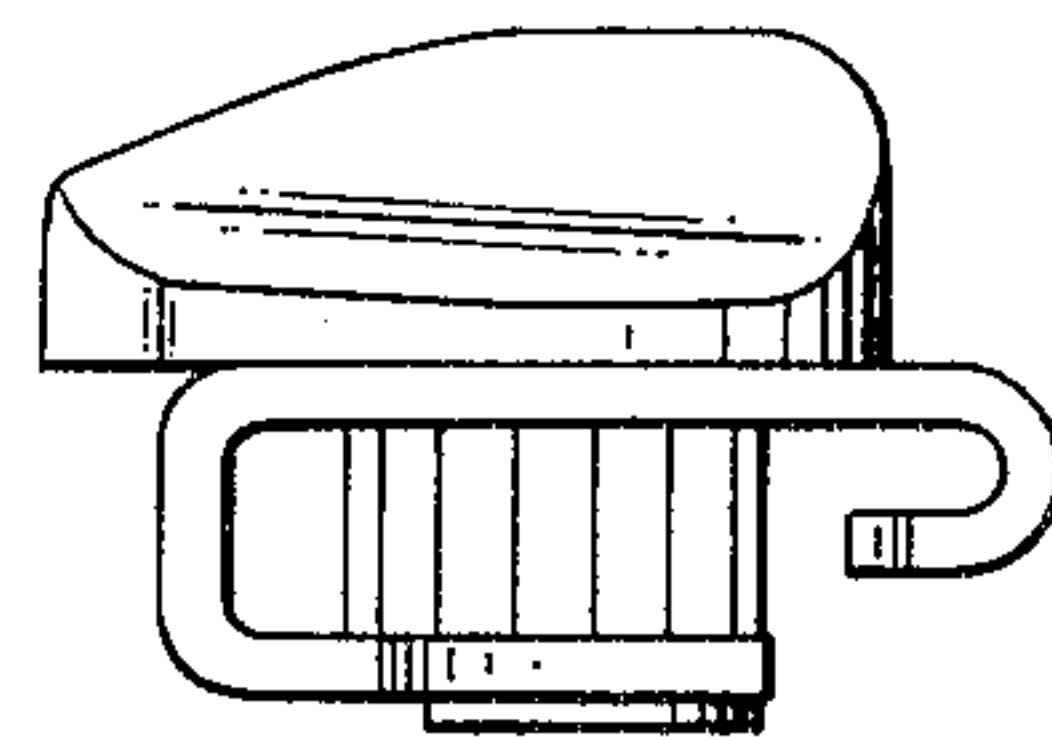


FIG. 6



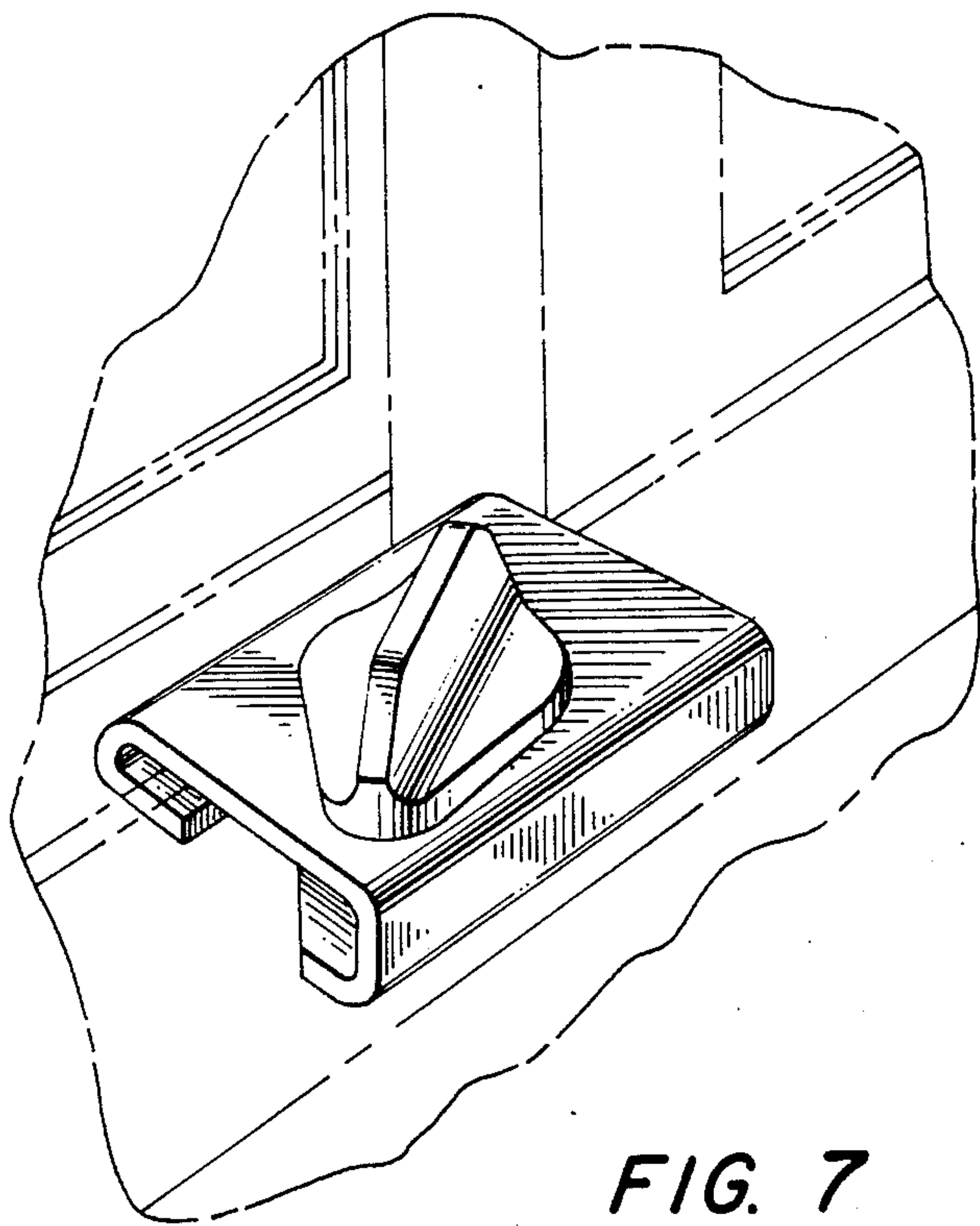


FIG. 7